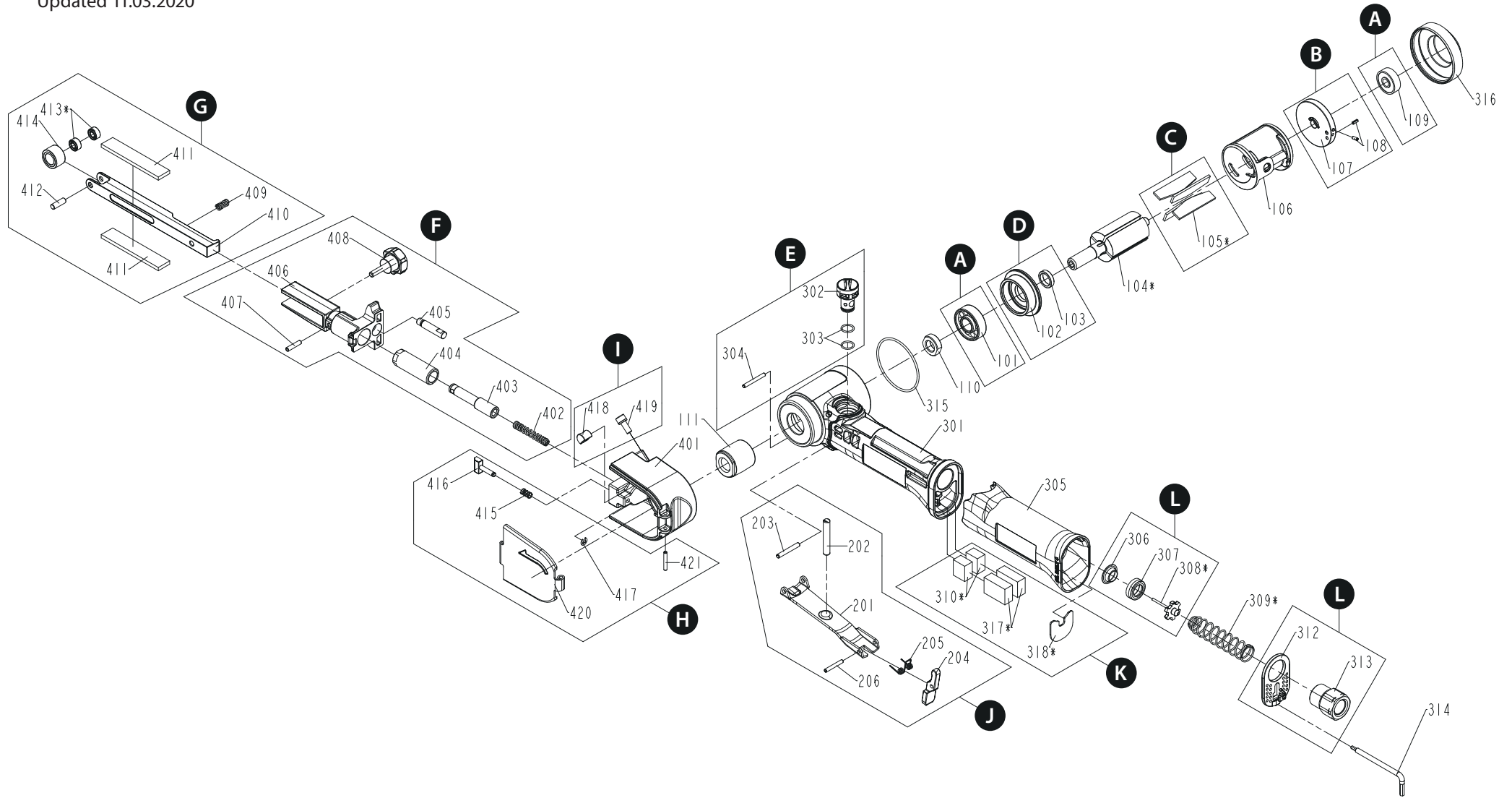




# Exploded view of Pneumatic Belt Sander PBS 13NV

Updated 11.03.2020



## Pneumatic Belt Sander PBS 13NV Spare Part kits

**Note!** Repairs performed by non-authorized repairer will breach the Mirka warranty.

Item	Description	Kit	QTY	Part No
<b>End Plate Bearing kit</b>				
101	Bearing	A	1	MPP1101
109	Bearing		1	MPP1109
<b>Rear End Plate kit</b>				
107	Rear End Plate	B	1	MPP2107
108	Spring Pin		2	MPP1108
<b>Vanes kit</b>				
105	Vanes	C	4	MPP2105
<b>Front Bearing Plate kit</b>				
102	Front Bearing Plate	D	1	MPP2102
103	Rotor Washer		1	MPP1103
<b>Speed Valve kit</b>				
302	Speed Valve	E	1	MPP2302
303	O-Ring		2	MPP1303
304	Spring Pin		1	MPP1304
<b>Tension Arm kit</b>				
402	Spring		1	MPP2402
403	Post Assembly		1	MPP2403
404	Latch Spring Bushing	F	1	MPP2404
405	Positioning Shaft		1	MPP2405
406	Tension Arm		1	MPP2406
407	Spring Pin		1	MPP2407
408	Angle Adjusting Bolt		1	MPP2408
<b>Adjusting Arm kit</b>				
409	Spring		1	MPP2409
410	Adjusting Arm		1	MPP2410
411	Wear Pad	G	2	MPP2411
412	Pin		1	MPP2412
413	Bearing		2	MPP1409
414	Idle Pulley Unit		1	MPP2414
<b>Belt Cover &amp; Lock kit</b>				
415	Positioning Spring		1	MPP2415
416	Tenon Unit	H	1	MPP2416
417	Pin Lock		1	MPP2417
420	Cover		1	MPP2418
421	Spring Pin		1	MPP2419
<b>Angle Locking kit</b>				
418	Push Lock	I	1	MPP2418
419	Screw		1	MPP2419

## Pneumatic Belt Sander PBS 13NV Spare Part kits

Item	Description	Kit	QTY	Part No
	<b>Lever kit</b>			<b>MPP8010</b>
201	Lever		1	MPP1201
202	Valve Stem		1	MPP1202
203	Spring Pin	J	1	MPP1203
204	Safety		1	MPP1204
205	Compression Spring		1	MPP1205
206	Spring Pin		1	MPP1206
	<b>Muffler kit</b>			<b>MPP8011</b>
310	Muffler A	K	2	MPP1310
317	Muffler B		2	MPP1318
318	Muffler C		1	MPP1319
	<b>Air Inlet kit</b>			<b>MPP8012</b>
306	Seal Bushing		1	MPP1306
307	Seal	L	1	MPP1307
308	Tip Valve		1	MPP1308
312	Deflector		1	MPP1312
313	Air Inlet		1	MPP1313

Separate spare parts on next page.

## Pneumatic Belt Sander PBS 13NV Spare Parts

Item	Description	Kit	QTY	Part No
101	Bearing	A	1	MPP1101
102	Front Bearing Plate	D	1	MPP2102
103	Rotor Washer	D	1	MPP1103
104	Rotor		1	MPP2104
105	Vanes	C	4	MPP2105
106	Cylinder		1	MPP2106
107	Rear End Plate	B	1	MPP2107
108	Spring Pin	B	2	MPP1108
109	Bearing	A	1	MPP1109
110	<b>Lock Nut</b>		1	MPP2110
111	Drive Pulley		1	MPP2111
201	Lever	J	1	MPP1201
202	Valve Stem	J	1	MPP1202
203	Spring Pin	J	1	MPP1203
204	Safety	J	1	MPP1204
205	Compression Spring	J	1	MPP1205
206	Spring Pin	J	1	MPP1206
301	Housing		1	MPP2301
302	Speed Valve	E	1	MPP2302
303	O-Ring	E	2	MPP1303
304	Spring Pin	E	1	MPP1304
305	Handle Grip		1	MPP1305
306	Seal Bushing	L	1	MPP1306
307	Seal	L	1	MPP1307
308	Tip Valve	L	1	MPP1308
309	<b>Spring</b>		1	MPP2309
310	Muffler A	K	2	MPP1310
312	Deflector	L	1	MPP1312
313	Air Inlet	L	1	MPP1313
314	Hex Wrench 2 & 3mm		1	MPP1314
315	<b>O-Ring</b>		1	MPP2315
316	Front Exhaust Cover		1	MPP2316
317	Muffler B	K	2	MPP1318
318	Muffler C	K	1	MPP1319
401	Guard Unit		1	MPP2401
402	Spring	F	1	MPP2402
403	Post Assembly	F	1	MPP2403
404	Latch Spring Bushing	F	1	MPP2404
405	Positioning Shaft	F	1	MPP2405
406	Tension Arm	F	1	MPP2406
407	Spring Pin	F	1	MPP2407
408	Angle Adjusting Bolt	F	1	MPP2408
409	Spring	G	1	MPP2409
410	Adjusting Arm	G	1	MPP2410
411	<b>Wear Pad 2/pack</b>	G	2	MPP2411
412	Pin	G	1	MPP2412
413	<b>Bearing 2/pack</b>	G	2	MPP1409
414	Idle Pulley Unit	G	1	MPP2414
415	Positioning Spring	H	1	MPP2415
416	Tenon Unit	H	1	MPP2416
417	Pin Lock	H	1	MPP2417
418	Push Lock	I	1	MPP2418
419	Screw	I	1	MPP2419
420	Cover	H	1	MPP2420
421	Spring Pin	H	1	MPP2421