



# Service Cart PRO

**Size: Large, Open Sides**

Models SC337, SC337S

Project \_\_\_\_\_

Item No. \_\_\_\_\_

Model No. \_\_\_\_\_

Quantity \_\_\_\_\_

### Features & Benefits

- Sturdy, strong and durable, these carts are made of one-piece polyethylene construction.
- Versatile for a variety back of house or front of house applications.
- Total weight capacity is 600 lbs. (272 kg) or 200 lbs. (90,7 kg) per shelf.
- Three durable shelves feature raised ridges to protect surface against heat. Shelf surfaces are lightly textured (top only), stain resistant and easy to clean. NOTE: Best to cool metal pans to 250°F (121°C) before placing on cart.
- Raised 1½" (3,8 cm) marine rail around top shelf helps to prevent items from slipping off.
- Open available flat space on top shelf for products is 32⅝" L x 19¾" D (82,9 x 50,1 cm).
- Vertical open space between each shelf is 10⅞" (27,6 cm).
- Middle and bottom shelves have a ¾" (2 cm) raised edge on one side to help keep items in place.
- Two molded-in ergonomic handles on each end of the cart are recessed, flush to the body, to save space.
- Four heavy-duty, non-marking 6 x 1½" (15 x 3,8 cm) plate casters:
  - Model SC337 - 2 rigid, 2 swivel with brake
  - Model SC337S - 4 swivel, all with brake
- Optional accessories include an 8 gallon (30,3 L) and 2½ gallon (9,5 L) Quick Connect Bin that securely slide and lock down onto molded-in dovetails positioned safely below the handles.
- Available in three colors: Black (110), Dark Brown (131), Charcoal Gray (615).
- No assembly required.



SC337



SC337

Shown with optional Quick Connect Bins

Service Cart PRO and Quick Connect Bins are covered by US Patents D882,203 S, D883,755 S, and D885,003 S.



2.5 Gallon (9,5 L)  
Small Quick Connect Bin



8 Gallon (30,3 L)  
Large Quick Connect Bin

### Approvals



Information and specifications are subject to change without notice. Please confirm at time of order.



www.cambro.com

CAMBRO U.S.A.

TEL: 1(714) 848-1555

FAX: 1(714) 230-4375

international@cambro.com

CAMBRO EUROPEAN LOGISTICS

TEL: (49) 7022 90 100 0

FAX: (49) 7022 90 100 19

cambroeuropa@cambro.com

CAMBRO UK

TEL: 0800 587 0057 Toll Free

FAX: 0845 280 3411

cambrouk@cambro.com

Cambro Manufacturing (HuiZhou) Co.,Ltd.

TEL: +86-0752-2885018

FAX: +86-0752-2885038

# Service Cart PRO

## Size: Large, Open Sides

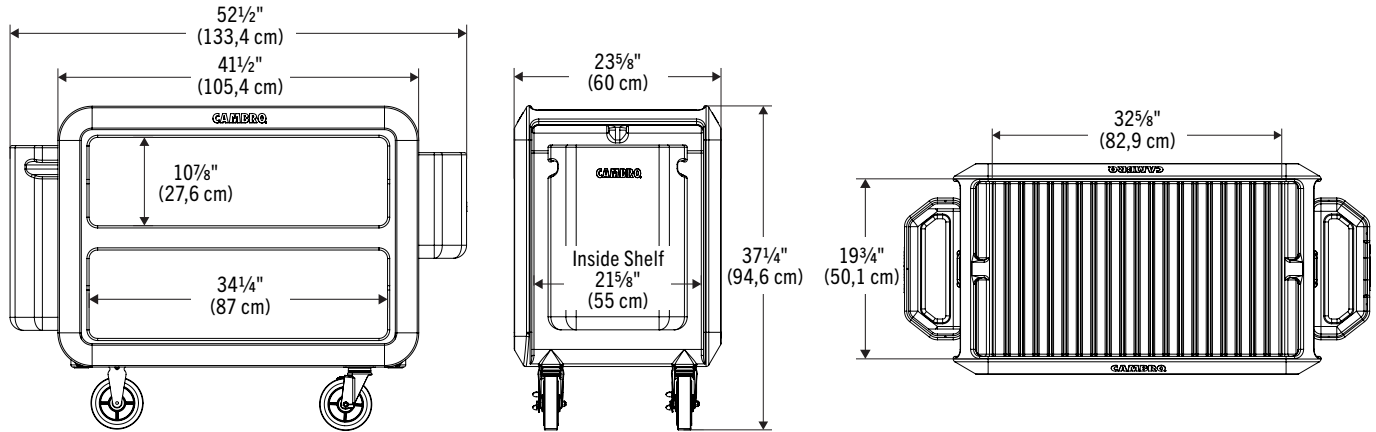
Models SC337, SC337S

Project \_\_\_\_\_

Item No. \_\_\_\_\_

Model No. \_\_\_\_\_

Quantity \_\_\_\_\_



### Specifications

Dimension Tolerance: +/- 1/4" (0,64 cm)

CODE	CASTERS	INTERIOR SHELF DIMENSIONS L x D x H	CART DIMENSIONS L x D x H	UNIT WEIGHT LBS. (KG)
SC337	2 Rigid, 2 Swivel with Brake	34 1/4" x 21 5/8" x 10 7/8" (87 x 55 x 27,6 cm)	41 1/2" x 23 5/8" x 37 1/4" (105,4 x 60 x 94,6 cm)	60.5 lbs. (27,4 kg)
SC337S	4 Swivel, All with Brake	34 1/4" x 21 5/8" x 10 7/8" (87 x 55 x 27,6 cm)	41 1/2" x 23 5/8" x 37 1/4" (105,4 x 60 x 94,6 cm)	62.3 lbs. (28,2 kg)

### Optional Accessories

- 2.5 Gal. (9,5 L) Small Quick Connect Bin  QCSB
- 8 Gal. (30,3 L) Large Quick Connect Bin  QCTB

### Standard Service Cart Pro Colors

- Black (110)
- Dark Brown (131)
- Charcoal Gray (615)

### Quick Connect Bin Color

- Black (110)

### Architect Specs

The large size Service Cart PRO shall be Cambro model SC337 or SC337S. It shall be constructed of one-piece polyethylene with molded-in, recessed handles on each end of the cart. It shall be able to transport up to 600 lbs. (272 kg). It shall have three solid shelves. Each shelf shall have raised ridges to protect surface against heat. Top shelf only will be textured and will have a 1 1/2" (3,8 cm) raised marine rail all around to help keep contents in place. Middle and bottom shelves shall have a 3/4" (2 cm) raised edge on one side. Space opening between the shelves shall be 10 7/8" (27,6 cm). It shall have four each 6" x 1 1/2" (15 x 3,8 cm) non-marking plate casters: 2 rigid and 2 swivel with brake or 4 swivel all with brake. It shall have molded in dovetails below the handles to attach optional Quick Connect Bins (small 2 1/2 gallon/9,5 L) and large 8 gallon/30,3 L) both in Black (110). The Service Cart Pro shall require no assembly and shall be available in Black (110), Dark Brown (131) and Charcoal Gray (615). It shall be NSF listed.

### Approvals



Information and specifications are subject to change without notice. Please confirm at time of order.

**CAMBRO**  
www.cambro.com

CAMBRO U.S.A.  
TEL: (714) 848-1555  
FAX: (714) 230-4375

CAMBRO EUROPEAN LOGISTICS  
TEL: (49) 7022 90 100 0  
FAX: (49) 7022 90 100 19

CAMBRO UK  
TEL: 0800 587 0057 Toll Free  
FAX: 0845 280 3411

Cambro Manufacturing (Huizhou) Co., Ltd.  
TEL: +86-0752-2885018  
FAX: +86-0752-2885038

SCPL1

© Copyright Cambro Manufacturing Company. Printed in the U.S.A. 03/24

D022406