

## Camcruiser®

Models CVC72, CVC724



### Features & Benefits

- Load this foodservice merchandising cart with pizza, sandwiches, hot dogs, salads, tacos, chips, and soft drinks. Transports easily for added sales and increased convenience.
- Double-wall, high-density, polyethylene construction is impact resistant and will not dent, crack, bubble, chip, rust or break. Can be wiped or steam cleaned.
- Each cart includes two polyurethane foam-insulated holding compartments, with a gasket to keep food hot or cold for 4+ hours. Each door includes a vent cap to allow for air flow and steam release. Both doors swing open 270° for easy and complete compartment access.
- Each insulated compartment has molded-in rails and can accommodate full size food pans. Each insulated compartment can hold:
  - 2 full size 8" (20,3 cm) + 2 full size 2½" (6,4 cm) deep pans or
  - 4 full size 6" (15,2 cm) deep pans or
  - 6 full size 4" (10,2 cm) deep pans or
  - 8 full size 2½" (6,4 cm) deep pans or
- Open middle holding compartment on the bottom serving side of both models has molded-in rails and can accommodate full size food pans in addition to the one (1) drawer included with the cart. The open compartment can hold:
  - 1 drawer and
  - 1 full size 6" (15,2 cm) deep pan or
  - 2 full size 4" (10,2 cm) deep pans or
  - 3 full size 2½" (6,4 cm) deep pans
- Model CVC72 has three (3) each top serving wells. The two (2) outside wells are for merchandising only and do not hold food pans. The dimensions are 22¼" x 15½" x 6" (56,2 x 39,1 x 15,2 cm). The center well holds one (1) each Full, two (2) Half or three (3) Third Size Food Pans, 6" (15,2 cm) deep, without the use of Divider Bars. None of the three (3) wells will accommodate a cutting board or well cover.
- Model CVC724 has four (4) each top serving wells. Each well holds one (1) each 1/1 Full Size Food Pan or Fractional Food Pans, up to 6" (15,2 cm) deep, with the use of Divider Bars (DIV12). Each well can also hold white polyethylene Cutting Boards (one (1) cutting board is included) or optional molded Well Covers to increase work preparation area.
- Menu board included and helps merchandise daily menu or daily specials.
- Removable 72" (183 cm) umbrella comes in three (3) colors. Campus Cuisine front cart panel is standard and print color matches the color of the cart. Display panel can be personalized as an option.
- Molded-in handles on both sides are comfortable and make the cart easy to transport.
- Four (4) each 8" (20,3 cm) swivel casters with brakes ensure easy maneuvering.
- Non-electrical.
- Some assembly required.
- Available in five (5) colors.

Project \_\_\_\_\_

Item No. \_\_\_\_\_

Model No. \_\_\_\_\_

Quantity \_\_\_\_\_



CVC724



CVC72



Two insulated holding compartments with molded-in rails each hold up to four (4) each 1/1 Full Size 6" (15,2 cm) deep food pans.

### Approvals

# Camcruiser®

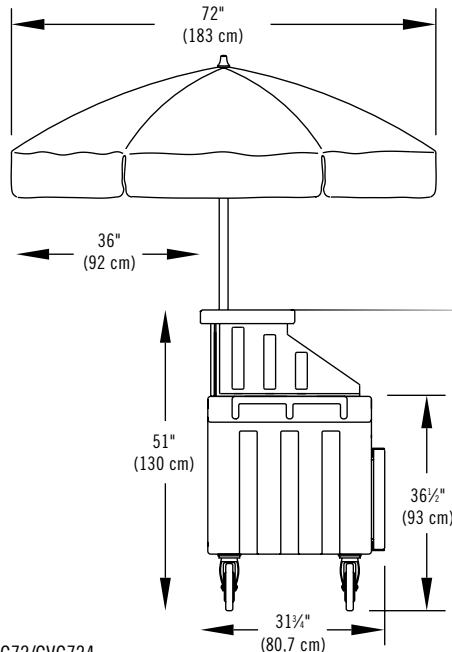
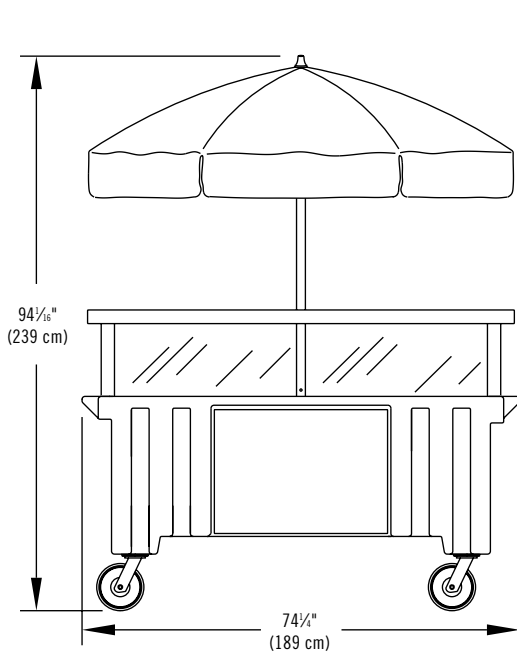
Models CVC72, CVC724

Project \_\_\_\_\_

Item No. \_\_\_\_\_

Model No. \_\_\_\_\_

Quantity \_\_\_\_\_



CVC72/CVC724

## Specifications

Dimension Tolerance: +/- 1/4" (0,64 cm)

| Code   | Description  | Overall Dimensions<br>L x W x H (With Umbrella)      | Case lbs./cube kg/m <sup>3</sup> |
|--------|--|--|----------------------------------|
| CVC72  | Camcruiser with 1 Full Size Food Pan and 2 Food Merchandising Wells. | 74 1/2" x 31 1/4" x 94"<br>(189,2 x 80,7 x 238,8 cm) | 240 (75,47)<br>109 (2)           |
| CVC724 | Camcruiser with 4 Full Size Food Pan Wells                           | 74 1/2" x 31 1/4" x 94"<br>(189,2 x 80,7 x 238,8 cm) | 240 (75,47)<br>109 (2)           |

## Optional Accessories (CVC724 Only)

- Divider Bar  DIV12
- Additional Cutting Board  CB1220
- Well Cover  WCR1220 Color matches cart.
- Camchiller® GN 1/1 Full Size  CP3253  Glacier Blue (443)
- Camchiller GN 1/2 Half Size  CP2632  Glacier Blue (443)
- Camchiller  CP814  Cold Blue (159)
- ThermoBarrier®  1200DIV  Dark Brown (131)

## Standard Colors

- Camcruiser Vending Cart:**
- Granite Gray (191) w/ Black /White Umbrella
  - Granite Green (192) w/ Green/White Umbrella
  - Black (110) w/ Black /White Umbrella
  - Hot Red (158) w/ Red/White Umbrella
  - Kentucky Green (519) w/ Green/White Umbrella

## Architect Specs

The portable foodservice cart shall be a Camcruiser, Model CVC72 or CVC724, manufactured by Cambro Mfg. Co., Huntington Beach, CA 92647 U.S.A. It shall be made of polyethylene and foam-injected polyurethane. It shall have molded-in handles on both sides for easy maneuvering. It shall have four (4) each 8" (20,3 cm) swivel casters, with brakes. It shall have three (3) or four (4) top service wells. Each insulated food pan well shall hold a full size 12" x 20" (30,5 x 50,8 cm) Food Pan, 6" (15,2 cm) deep or Fractional Size Food Pans with Divider Bars. Each food merchandising well shall be 22 1/2" x 15 1/8" x 6" (56,2 x 39,1 x 15,2 cm). It shall have two (2) insulated lower compartments with swinging doors that open 270° to side wall. Each insulated compartment door shall have a gasket and vent cap. Each compartment shall hold up to four (4) each 1/1 full size 6" (15 cm) deep food pans. Each cart shall have one (1) open lower compartment with molded in rails that can hold up to one (1) drawer and three (3) full size 2 1/2" (6,4 cm) deep food pans. It shall have a 72" (183 cm), six (6) panel umbrella. It shall have a front merchandising panel with a standard Campus Cuisine logo. It shall have a white erasable menu board. Model CVC724 shall include a FDA approved polyethylene cutting board and shall be available with the optional color matching well covers. Both models, CVC72 and CVC724, shall be offered in five (5) colors.

### Well Cover:

- Black (110)
- Hot Red (158)
- Granite Green (192)
- Kentucky Green (519)
- Granite Gray (191)

## Approvals



Information and specifications are subject to change without notice. Please confirm at time of order.  
 © Cambro Manufacturing Company 5801 Skylab Road, Huntington Beach, California 92647-2056-U.S.A.  
 Telephone 714 848 1555 Toll Free 800 854 7631 Customer Service 800 833 3003  
 Printed in U.S.A. 3/23