

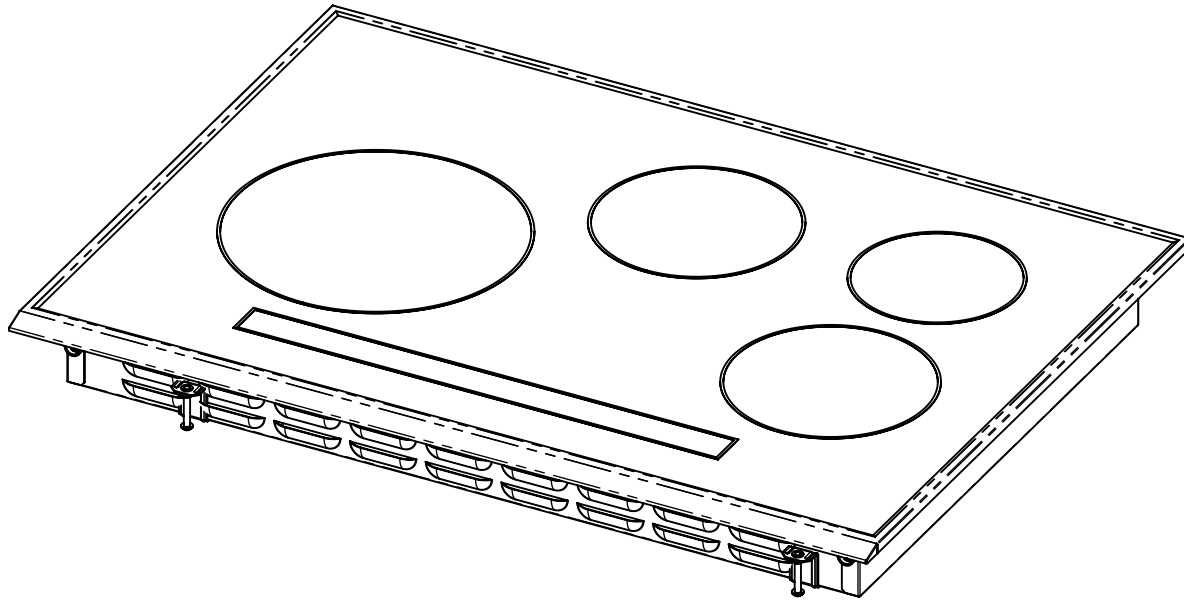


Induction Drop-in Cooktop

KIC30-XX
Parts List

Hestan Commercial Corporation
3375 E. La Palma Ave.
Anaheim, CA 92806
(888) 905-7463

RETAIN THIS FOR FUTURE REFERENCE



30" x 21" x 6" Induction Cooktop

COLOR TABLE

KIC30-BK	COOKTOP, INDUCTION, 30" - BLACK
KIC30-MS	COOKTOP, INDUCTION, 30" - METALLIC SILVER



HEAVY DUTY
 30" x 21" x 6" Induction Cooktop
 5 Burners
 1500W Power
 1500W Power

30" x 21" x 6" Induction Cooktop
 5 Burners
 1500W Power
 1500W Power

30" x 21" x 6" Induction Cooktop
 5 Burners
 1500W Power
 1500W Power

5
 5

BALLOON #	HESTAN P/N	DESCRIPTION	NOTES
1	025439	SPACER, CERAMIC COOKTOP, 30/36	
2	025440	COUNTERTOP BRACKET W/SCREW	
3	025450	TERMINAL BLOCK JUMPER, BASIC1/G5 EGO	
4	025451	CABLE CLIP, TERMINAL BLOCK, INDUCTION	
5	025459	LOWER AIR CONVEYOR, VCR 30"IND.G5	
6	025460	UPPER AIR CONVEYOR, VCR 30"IND.G5	
7	025461	TOROID, OR25 10-15H	
8	025462	INDUCTION MODULE, 30" SLIDER, 7360W MOD.512 EGO	
9	025463	BOTTOM, VCR TC30" IND.G5 SLIDER C.F.	
10	025464	GLASS CERAMIC WITH FRAME, 30", HESTAN	SPECIFY COLOR
11	025465	SUPPLY WIRING w/ CONDUIT, IND. 30", 10+16AWG	



DFC DF-9 H5 FM
 P U A I C E I V A U Z A P Q I Q U O W T C E V I T C E A O O U O U O M C O C A
 U V U L O O C P A B U O U O X G E S A Y V O T B U U A U S P U T O V C O C A
 C B Y A U T E V Q P U W A P O A U Q V C A U O T Q U S P A U A
 P * * Q I ((A B A C I)) I S A) B P Q I O W T C E V A U A B Y
 O U U Q U A P O S S O C A U O W U P O A W U P A U Q V C A U O U V O U E

0000000000

G9FJ79Z7CC?HCDZ=B8I7HCB'
 FP7' \$ILLL

0000000000

?7' \$!LL!G9FJ79

0000000000

5

UP000/UE

GÁDÁG