

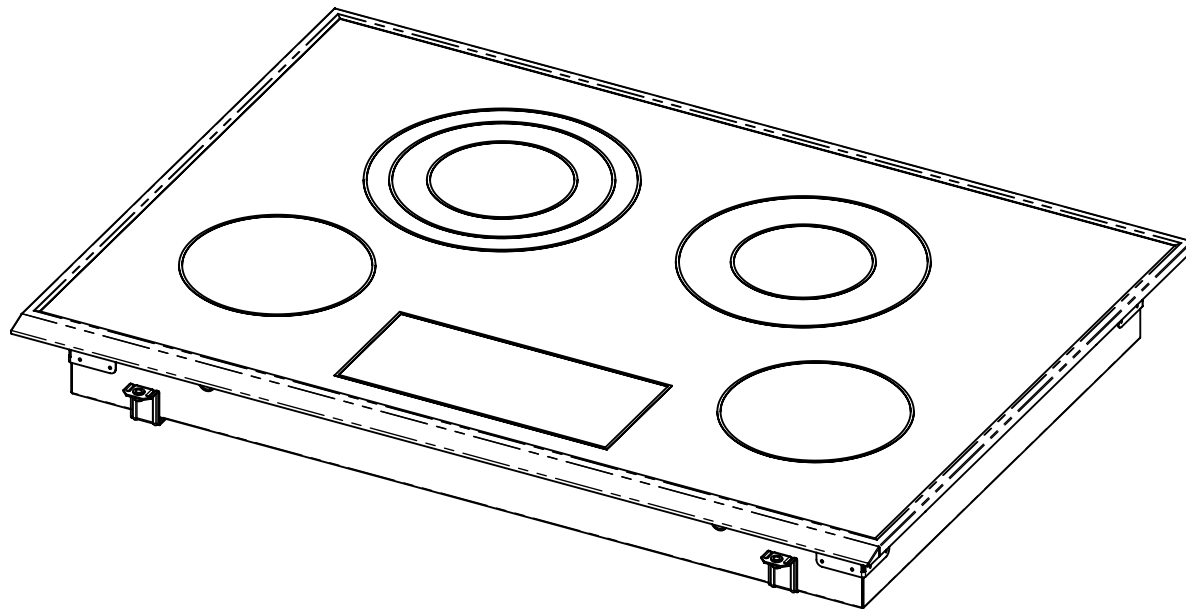


# Radiant Drop-in Cooktop

KEC30-XX  
Parts List

Hestan Commercial Corporation  
3375 E. La Palma Ave.  
Anaheim, CA 92806  
(888) 905-7463

RETAIN THIS FOR FUTURE REFERENCE



?97' \$!6? 'G<CK B

COLOR TABLE	
KEC30-BK	COOKTOP, RADIANT, 30" - BLACK

**HESTAN**

DFC DF-9 H5 FM  
 P U A I O E V A U Z A P Q I O U O M T C E V I T C E A O O U O U O M C O O S A  
 U V U L O O K P A B U O U X G S A Y I V O T B U A U S P U T Q V C O R A  
 C E Y A U T B Y Q P U W A P O A U Q V C A U O U T Q U S P A U A  
 P \* \* Q I ( ( A S S C I ) ) I S S B P Q O U O M T C E V A U A B Y  
 O U U Q U A P S S C O A V W U P O A W U P A U Q V C A U O U V O U E

0000000000

**G9FJ=9Z7CC?HCDZF58=5BH'**  
**fP97' \$!LLL**

0000000000

**?97' \$!LL!G9FJ=9**

0000000000

**5**  
 U P O O V A U E



BALLOON #	HESTAN P/N	DESCRIPTION	NOTES
LM20	025448	BOX FOR CERAMIC COOKTOP TC 30"	
VM10	025424	SCREW, FIXING	
VM11	025425	SPRING, CONTROL FIXING	
	025447	WIRING, ELECTRIC COOKTOP, 30"	
EM04	025427	TERMINAL BLOCK, POWER, 2P	
CB01	025446	SUPPLY WIRING w/ CONDUIT, COOKTOP 30", 12AWG	
EL04	025444	ELECTRONIC TOUCH CONTROL, PEACOCK HIGH, COOKTOP 30"	
LM21	025449	SUPPORT BOTTOM FOR CERAMIC COOKTOP, TC 30"	
VM12	025431	SPRING CLIP, FIXING, HEATING ELEMENT	
VM13	025432	ANTI-ROTATION HOOK, HEATING ELEMENT	
EM40	025434	HEATING ELEMENT, Ø 225, 240V 2500W	
EM36	025445	HEATING ELEMENT, Ø 205, 240V 2200W	
EM33	025436	HEATING ELEMENT, Ø 155, 240V 1200W	
LM22	025437	SQUARE SUPPORT BOX, COOKTOP	
AS08	025443	GLASS, CERAMIC TC 30", HESTAN	SPECIFY COLOR
VM14	025439	SPACER, CERAMIC COOKTOP, 30/36	
GS34	025440	COUNTERTOP BRACKET W/SCREW	
GU10	025441	PERIMETER SEAL, CERAMIC COOKTOP, 36", BLACK	
AC17	025442	SCRAPER, GLASS	



DFCDF-9H5FM  
P U A J C E V A U Z A P Q W O U M T C E V I T C E A O O U O U U O M C O C S A  
U V U U O O P A B U O U X G E S A Y V O T B U U A U S P I T O Y C O C B A  
C E Y A U O U T E V Q P U W A P O A U Q V C E A O U T Q U S P A J O A  
P \* \* Q I ( ( S \* \* \* O J ) ) \* \* B P Q O U O M T C E V A U A B Y  
O U U Q U A P E S S C O A U V W U P O O W U P A Y U Q V C E A O U V O U V E

0000000000  
**G9F J=7 9ž7 CC?HCDžF 5 8=5 BH'**  
**fP97' \$!LLł**

0000000000  
**?97' \$!LL!G9F J=7 9**

0000000000  
**5**  
0000000000  
**GAUAG**