



Ventilation

KVP_{xx} / KVC_{xx} / KVL_{xx}

Parts List

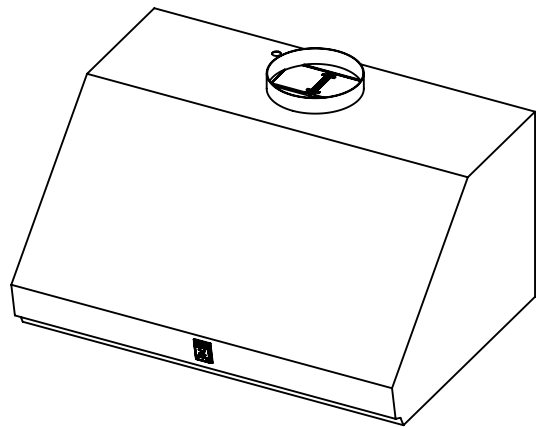
Hestan Commercial Corporation

3375 E. La Palma Ave.

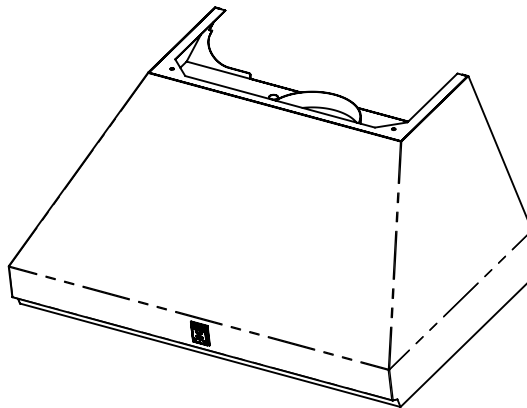
Anaheim, CA 92806

(888) 905-7463

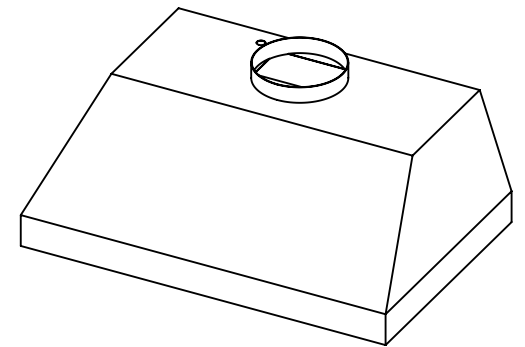
RETAIN THIS FOR FUTURE REFERENCE



?JD' * 'DFC'75BCDMGHM@



?J7' * '7 <=AB9MGHM@



?J@*' '@B9F'GHM@

VENTILATION PARTS LIST

KVCxx / KVPxx / KVLxx

Nov. 12, 2018

DWG. BALLOON #	HESTAN P/N	Description	NOTES
1	025050	WHEEL, BLOWER, CCW ROTATION, BLACK, VENT HOOD	
2	025049	WHEEL, BLOWER, CW ROTATION, WHITE, VENT HOOD	
3	025068	MOTOR, BLOWER, CCW ROTATION (BLACK), VENT HOOD	
4	025067	MOTOR, BLOWER, 2-SPEED CW ROTATION (WHITE), VENT HOOD	
5	025051	DAMPER, BLOWER HOUSING, PLASTIC, VENT HOOD	
6	022864	BLOWER SHIELD, DUAL, VENTILATION	
7	023330	BLOWER SHIELD, SINGLE, VENTILATION	
8	022870	BLOWER HOUSING, SINGLE, VENTILATION (B-100)	
9	022872	BLOWER HOUSING, DUAL, VENTILATION (B-200)	
10	025053	ROTARY KNOB, BLOWER, VENT HOOD	
11	025054	ROTARY KNOB, LIGHTING, VENT HOOD	
12	025065	THERMOSTAT, SENSOR, VENT HOOD	
13	025072	SWITCH, ROTARY, B100 BLOWER/LED LIGHT, VENT HOOD	
14	025073	SWITCH, ROTARY, B200 BLOWER, VENT HOOD	
15	025074	DIMMER PACK, LED LIGHTS, VENT HOOD	
16	025075	LED LIGHT, INTEGRATED, VENT HOOD	
17	025076	KIT, STAINLESS SCRATCH REPAIR, VENT HOOD	
18	021388	SERVICE, SMALL HESTAN LOGO W/ RETAINING RINGS	
19	022654	MANUAL, INSTALL / USE & CARE, VENT HOOD - PRO CANOPY	
20	022655	MANUAL, INSTALL / USE & CARE, VENT HOOD - LINER	
21	022656	MANUAL, INSTALL / USE & CARE, VENT HOOD - CHIMNEY	



DFCDF-9H5FM
P U A I O E V A U Z A P Q U O W T C E V T C E A O O U O U O W O O C A
 U V U J O O C P A B U O U D X E S A Y V O T B U A U S B U T O V C O C A
 C B Y A U T B V Q P U W A P O A U Q V C A O U T Q U B P A U A
 P * * @ A Q I ((S * * * O J) | |) B P Q U O W T C E V A U A B Y
 O U U B U A P E S S C O U O W U P C O W U P A U Q V C A O U O V U E

0000000000

G9FJ=79ZJ9BH@HCB<CC8Gz
 ?J7II #?JDII #?J@I

0000000000

?JLLL!G9FJ=79

0000000000

5
 UPOOV/UE
 GAUOAG