



HIGH ALTITUDE KIT OUTDOOR SIDE BURNER



EN

AGB

Installation Instructions



IMPORTANT - READ ALL INSTRUCTIONS BEFORE YOU BEGIN

THE INSTRUCTIONS HEREIN SHOULD BE PERFORMED BY A QUALIFIED SERVICE TECHNICIAN. THE SIDE BURNER MUST BE COMPLETELY COOL AND THE PREVIOUS GAS SOURCE MUST BE SHUT OFF OR REMOVED BEFORE ATTEMPTING GAS CONVERSION.

Some parts inside your side burner have sharp edges. Care must be taken when handling the various components to avoid personal injury. Wear gloves when handling.

TOOLS REQUIRED:

- Work gloves
- Safety glasses
- Phillips screwdriver
- 9/32" OR 7mm deep socket wrench or nut driver

<p style="text-align: center;"> DANGER</p> <p>If you smell gas:</p> <ol style="list-style-type: none"> 1. Shut off gas to the appliance. 2. Extinguish any open flame. 3. Open lid. 4. If odor continues, keep away from the appliance and immediately call your gas supplier or your fire department. 	<p style="text-align: center;"> DANGER</p> <ol style="list-style-type: none"> 1. Do not store or use gasoline or other flammable liquids or vapors in the vicinity of this or any other appliance. 2. An LP cylinder not connected for use shall not be stored in the vicinity of this or any other appliance.
---	---

WARNING IF THE INFORMATION IN THIS MANUAL IS NOT FOLLOWED EXACTLY, A FIRE OR EXPLOSION MAY RESULT CAUSING PROPERTY DAMAGE, PERSONAL INJURY, OR DEATH.

WARNING Flammable Gas - disconnect all propane or natural gas supplies to this unit before servicing.

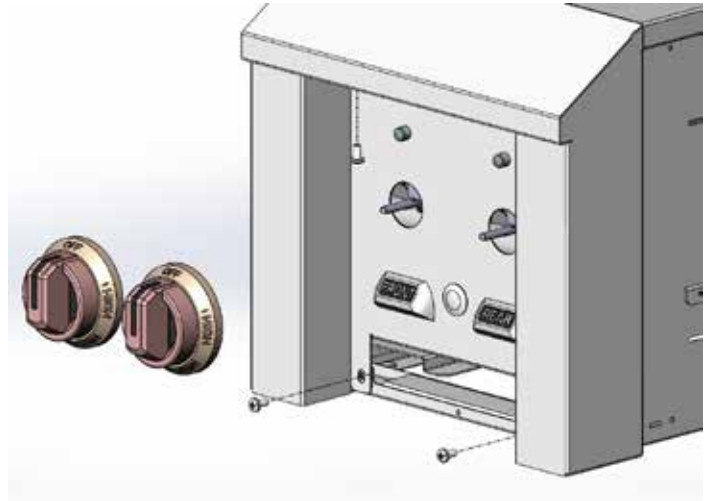
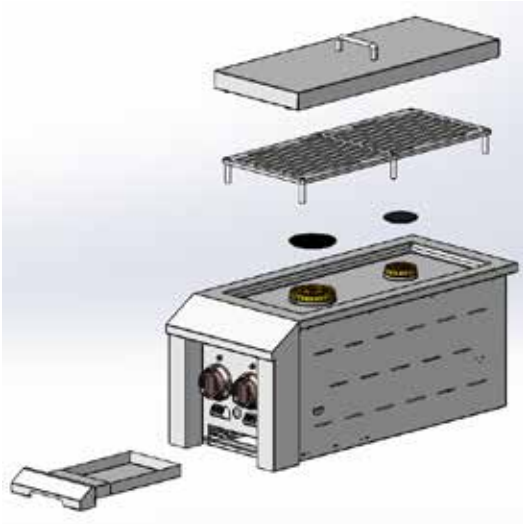
WARNING Electrical Parts & Components – disconnect all power supplies and batteries before servicing.

READ THIS MANUAL CAREFULLY AND COMPLETELY BEFORE USING YOUR SIDE BURNER TO REDUCE THE RISK OF FIRE, BURN HAZARD, OR OTHER INJURY. KEEP THIS MANUAL FOR FUTURE REFERENCE.

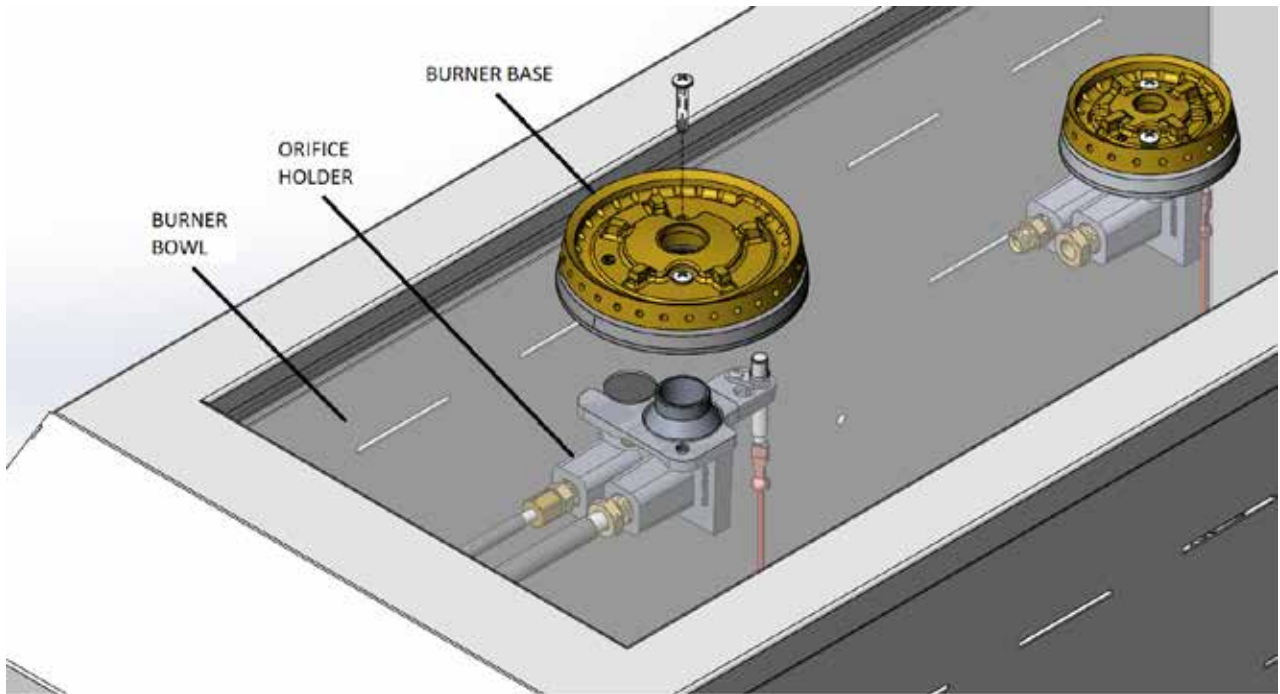


CHANGING ORIFICES

1. Remove the grate cover, grate, burner cap(s), and drip tray from the side burner. Remove the control knob(s) and the 4 Phillips head screws securing the control panel to the side burner. Carefully tilt down the control panel and pull off the connectors to the light switch. Remove the control panel and set aside.



2. Reach inside the burner to hold up the orifice holder against the burner bowl (to prevent it from falling) and remove the 2 Phillips head screws securing the burner base. Continue to hold the orifice holder against the burner bowl and reinstall the 2 Phillips head screws back onto the orifice holder so it doesn't fall.

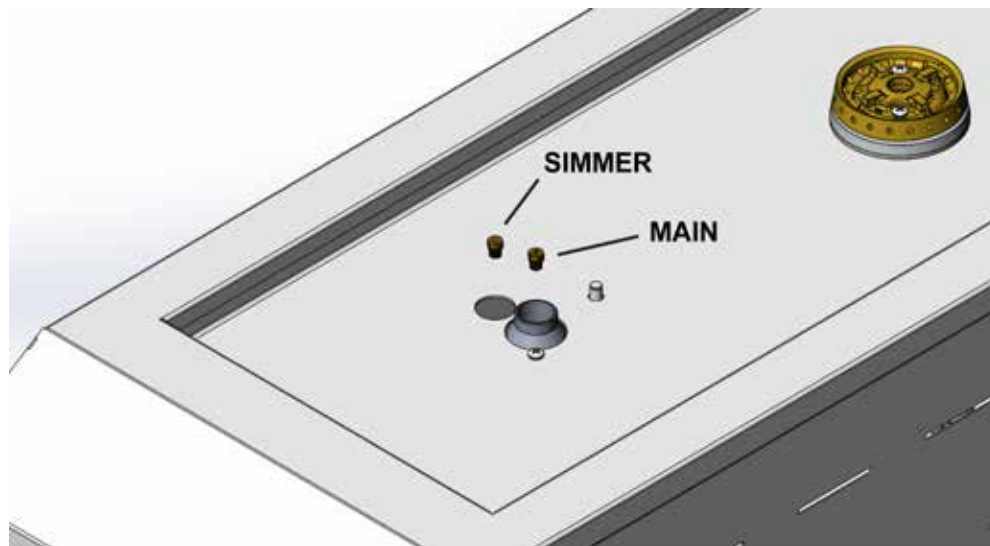


CHANGING ORIFICES *(continued)*



EN

- Use a nut driver or deep socket wrench (9/32" or 7 mm) to remove the orifices from the orifice holder. It is recommended to change one orifice at a time. Consult the chart at the end of this manual for what size is used at each location for your altitude. Install the new orifices and remount the burner base in the same manner it was removed. Repeat this process for the secondary burner if applicable.



TESTING & ADJUSTMENT

LEAK TESTING

GENERAL

A complete gas tightness check must be performed of all gas-carrying components due to possible movement during installation, or excessive pressure unknowingly being applied to parts of the unit.

BEFORE TESTING

- Do not smoke while leak testing.
- Never leak test with an open flame.
- Make a soap solution of one part liquid detergent and one part water for leak testing purposes.
- Apply the solution to the gas fittings by using a spray bottle or a brush.
- For LP units, always check with a full LP cylinder.

TO TEST

- Make sure all control valves are in the "OFF" position.
- Apply the soap solution described above to all fittings.
- Turn the gas supply on.
- Check all connections from the supply line, or LP cylinder up to and including the manifold pipe assembly.
- Soap bubbles will appear where a leak is present. If a leak is present, immediately turn off gas supply, tighten any leaking fittings, turn the gas supply back on, and recheck.
- If you cannot stop a gas leak, turn off the gas supply and call the dealer where you purchased your side burner.
- Do not use the side burner until all connections have been checked and do not leak.

IMPORTANT NOTE - ALWAYS CHECK FOR LEAKS AFTER EVERY LP CYLINDER CHANGE.



TESTING & ADJUSTMENT *(continued)*

BURNER / VALVE ADJUSTMENTS

Consult the GAS CONNECTIONS section of your Hestan Outdoor Side Burner for full instructions on burner adjustment, flame appearance, and valve adjustment. This step is very important to ensure successful burner performance after conversion to a new fuel type, or changing orifices for high altitude locations.

Hestan Outdoor Orifice Chart

Equipment	Burner Type	Gas Type	Rate Per Burner (Btu/hr)	ORIFICE SIZE		
				Sea Level - 1999 ft (609m)	2000 ft (609m) - 5999 ft (1829m)	6000 ft (1829m) - 10000 ft (3048m)
Single Outdoor Side Burner	Front (main)	NG	20,000	45	47	49
	Front (simmer)	NG		65	66	68
	Front (main)	LP	18,000	56	57	59
	Front (simmer)	LP		75	76	77
Double Outdoor Side Burner	Front (main)	NG	20,000	45	47	49
	Front (simmer)	NG		65	66	68
	Front (main)	LP	18,000	56	57	59
	Front (simmer)	LP		75	76	77
	Rear (main)	NG	10,000	54	55	56
	Rear (simmer)	NG		67	68	70
	Rear (main)	LP	10,000	65	66	68
	Rear (simmer)	LP		76	77	77

RETAIN THIS MANUAL FOR FUTURE REFERENCE



Hestan Commercial Corporation

3375 E. La Palma Ave
Anaheim, CA 92806
(888) 905-7463