

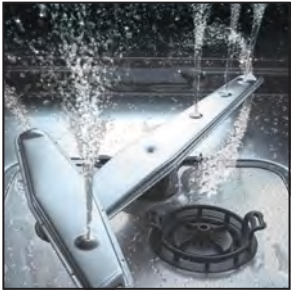
## STANDARD FEATURES



## DISHWASHERS

- Patented Dual Axial Washing System™ produces efficient washing process for full coverage and optimum water usage.
- Multi-Wash and Dry programs to fit all your kitchen cleanup needs.
- Ultra-Quiet 42 dB wash operation assists users by being equipped with an LED projection to the floor to keep you informed that it is running.

Double Axial Washing System™



Auto door-open drying



Stainless steel racks



- Automatic door-opening feature significantly optimizes drying performance, eliminates water spots, and saves energy. Unit quickly releases hot moist air to speed condensation drying process.
- AquaStop Detection Technology™ gives you peace of mind, detecting leaks in the water supply hose and stops the water supply immediately. Prevents possible damage to your home in the extreme case of flooding.
- Built-in water softener benefits regions with hard-water issues, reducing spotting and etching on glassware and dishes.
- Full-size tall-tub stainless steel interior and filter provides optimum and durable washing capacity. Robust flip down tines allow numerous accommodations and customization.
- Heavy-duty, coated stainless steel dishwasher racks are not only stylish, but also extremely durable.
- Completely customizable dual upper third rack provides total flexibility to make room for large pots and pans, cooking sheets and long, delicate stemware. Use both upper racks, single rack or completely remove both top racks.
- Concealed electronic control panel.
- Concealed flow thru heating element.
- Counterbalanced door.
- Marquise Accented™ door handle with commercial grade end caps.
- Brilliant interior lighting.
- Accommodates 13 place settings.
- EnergyStar rated.



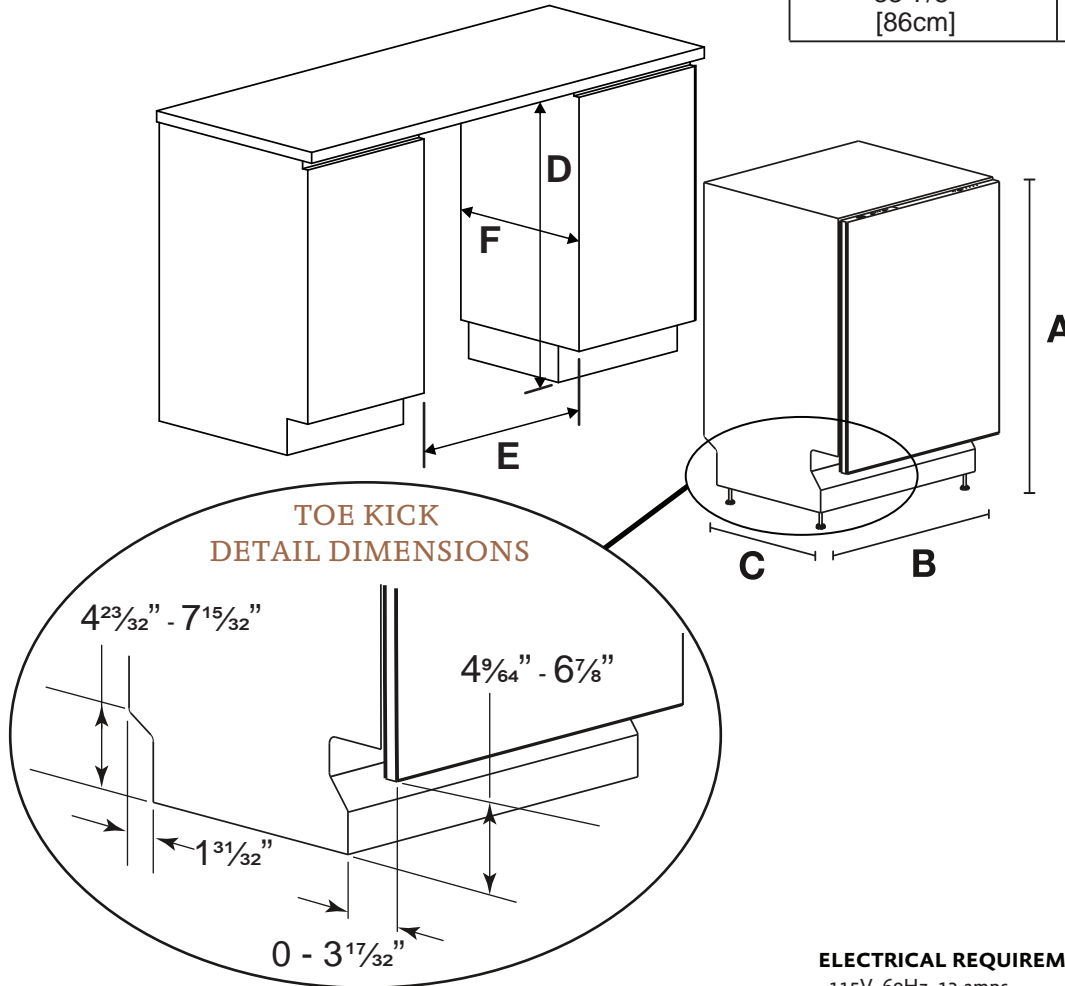
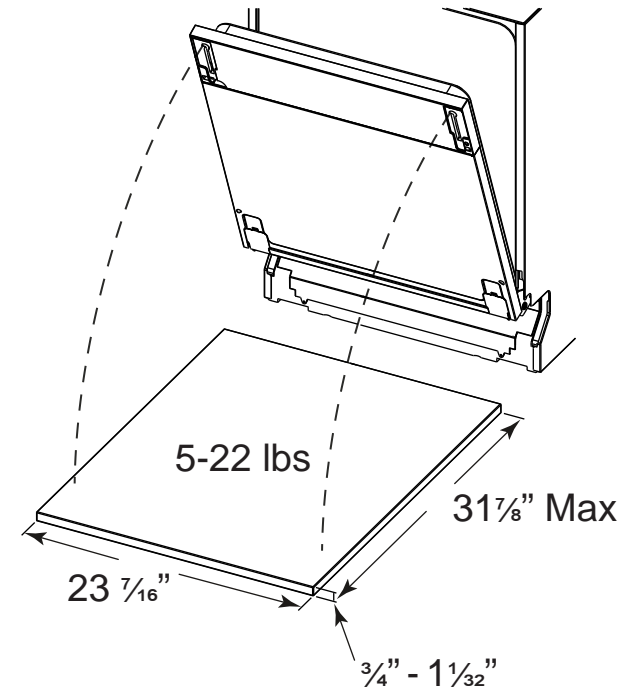
Model as shown  
KDW24

## OPTIONS & ACCESSORIES

- Available in Twelve (12) Hestan signature color finishes
- Overlay Available

**PRODUCT / CUT-OUT DIMENSIONS**
**Product Dimensions:**

A (min. height)	B (width)	C (depth)
33-7/8" [86cm]	23-9/16" [59.8cm]	21-11/16" [57cm]


**OPTIONAL OVERLAY PANEL DIMENSIONS**

**ELECTRICAL REQUIREMENTS:**  
 115V, 60Hz, 13 amps


Hestan Indoor products are approved for indoor use only. Hestan Commercial Corporation reserves the right to change materials and specifications without notice.

Models	Description	Cutout Dimensions			Circuit Breaker Req	Approx SHP WT(lbs)
		D (height)	E (width)	F (depth)		
KDW24	24" Dishwasher, Stainless Door	34"	23-9/16" - 23-5/8"	22-5/8"	15 Amp	115
KDW24-OV	24" Dishwasher, Overlay Door	34"	23-9/16" - 23-5/8"	22-5/8"	15 Amp	115
KDW24-XX	24" Dishwasher, Color Door	34"	23-9/16" - 23-5/8"	22-5/8"	15 Amp	115