



# Single Side Burner

AGB121

Parts List

Hestan Commercial Corporation

3375 E. La Palma Ave.

Anaheim, CA 92806

(888) 905-7463

RETAIN THIS FOR FUTURE REFERENCE

All warranty and non-warranty repairs should be performed by qualified service personnel. To locate an authorized service agent, contact your Hestan dealer, local representative, or the manufacturer. Before you call, please have the model number and serial number information ready.

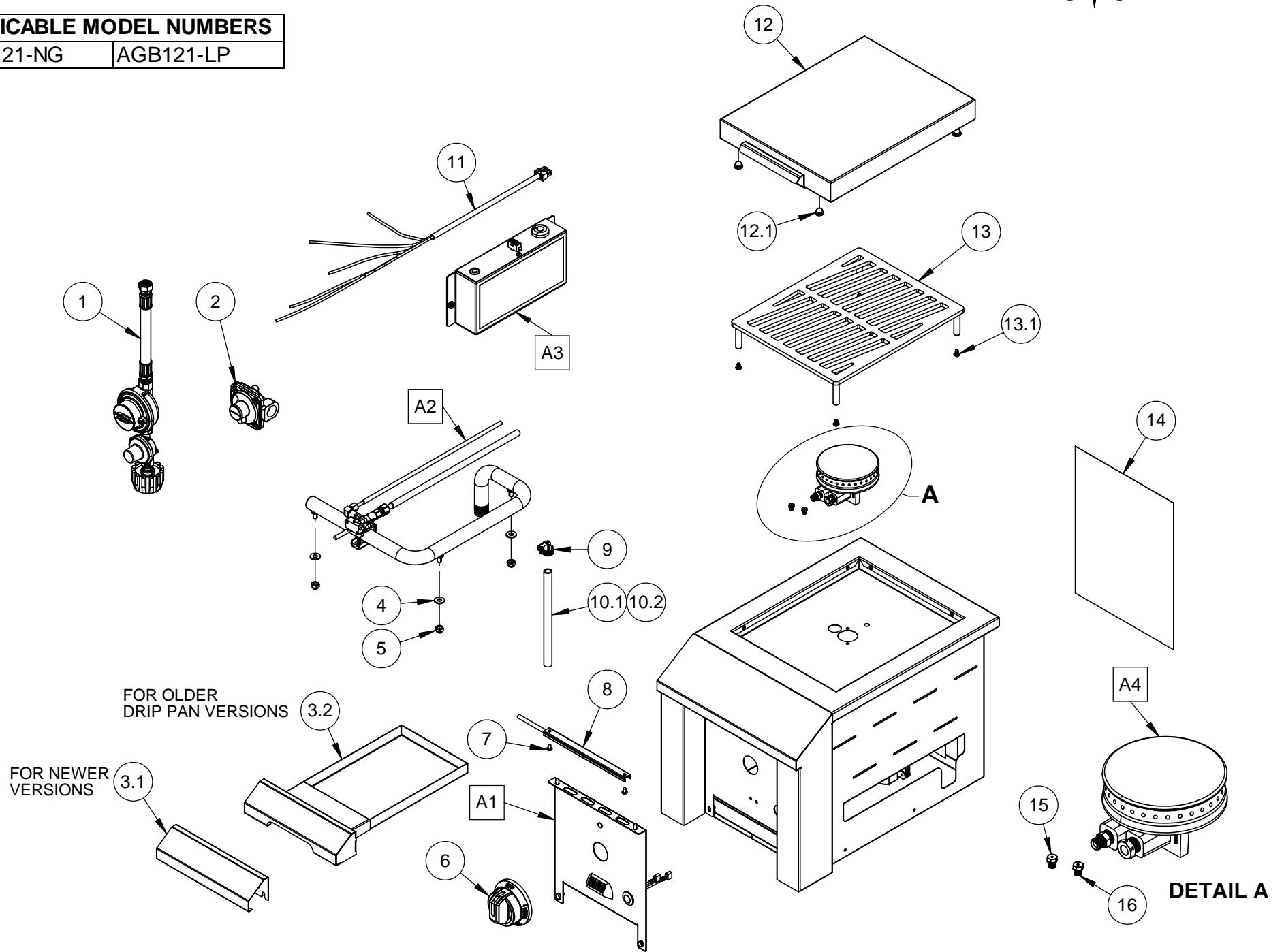
**AGB121-NG AGB121-LP**

| ITEM | PART NO.   | DESCRIPTION   | QTY       |           |
|------|------------|---|-----------|-----------|
|      |            |   | AGB121-NG | AGB121-LP |
| A1   |            | SERVICE, ASSY., PANEL, CONTROL, SIDE BURNER, SINGLE                               | 1         | 1         |
| A2   |            | SERVICE, ASSY., GAS MANIFOLD, SIDE BURNER, SINGLE                                 | 1         | 1         |
| A3   |            | SERVICE, ASSY., ELECTRICAL BOX, OUTDOOR SIDE BURNER                               | 1         | 1         |
| A4   |            | SERVICE, ASSY., BURNER, DUAL STACKED, LARGE                                       | 1         | 1         |
| 1    | 014309     | REGULATOR, 2-STAGE, LP TANK X 3/8 FLARE   | -         | 1         |
| 2    | 006239     | REGULATOR, STRAIGHT-THRU, 1/2"NPT, NG   | 1         | -         |
| 3.1  | 006871     | CHIN, DRIP PAN, SIDE BURNER   | 1         | 1         |
| 3.2  | 008443     | DRIP PAN, SIDE BURNER, WA   | 1         | 1         |
| 4    | 011714     | SERVICE, WSH, FLAT, 1/4 SAE, SS, PKG 4  | 1         | 1         |
| 5    | 010240     | SERVICE, NUT, LCK, EXPANDING, 1/4-20, SS, PKG 8                                   | 1         | 1         |
| 6    | 007716     | KNOB ASSY., SIDE BURNER, GRILL  | 1         | 1         |
| 7    | 011708     | SERVICE, MS, 8-32 X .25, PH, PAN, SS, PKG 12                                      | 1         | 1         |
| 8    | 007679     | LED LIGHT BAR, SIDE BURNER  | 1         | 1         |
| 9    | 014076     | CLAMP, WORM-DRIVE, .313-.625 ID RANGE, SS   | 1         | 1         |
| 10.1 | 009809     | DRAIN TUBE, SIDE BURNER, HESTAN **FOR OLDER UNITS WITH DRIP PAN**                 | 1         | 1         |
| 10.2 | 015016     | DRAIN TUBE, SIDE BURNER **FOR NEWER UNITS WITHOUT DRIP PAN**                      | 1         | 1         |
| 11   | 009105     | HARNESS, WIRE, SIDE BURNER, SINGLE  | 1         | 1         |
| 12   | 024033     | SERVICE, ASSY., COVER, SIDE BURNER, SINGLE (complete assembly w/ handle & bumper) | 1         | 1         |
| 12.1 | 011691     | SERVICE, BUMPER, PLASTIC, .50 DIAM X 0.11 H, PKG 4                                | 1         | 1         |
| 13   | 007306     | ASSY., GRATE, SIDE BURNER, SINGLE   | 1         | 1         |
| 13.1 | 021396     | SERVICE, BUMPER, RUBBER, 9mm DIAM. X 3mm H, PKG 4                                 | 1         | 1         |
| 14   | 008981     | MANUAL, USE & CARE, OUTDOOR SIDE BURNER   | 1         | 1         |
| 15   | 008666-045 | ORIFICE, SIDE BURNER, NG, #45   | 1         | -         |
|      | 008665-056 | ORIFICE, SIDE BURNER, LP, #56   | -         | 1         |
| 16   | 008666-065 | ORIFICE, SIDE BURNER, NG, #65   | 1         | -         |
|      | 008665-075 | ORIFICE, SIDE BURNER, LP, #75   | -         | 1         |

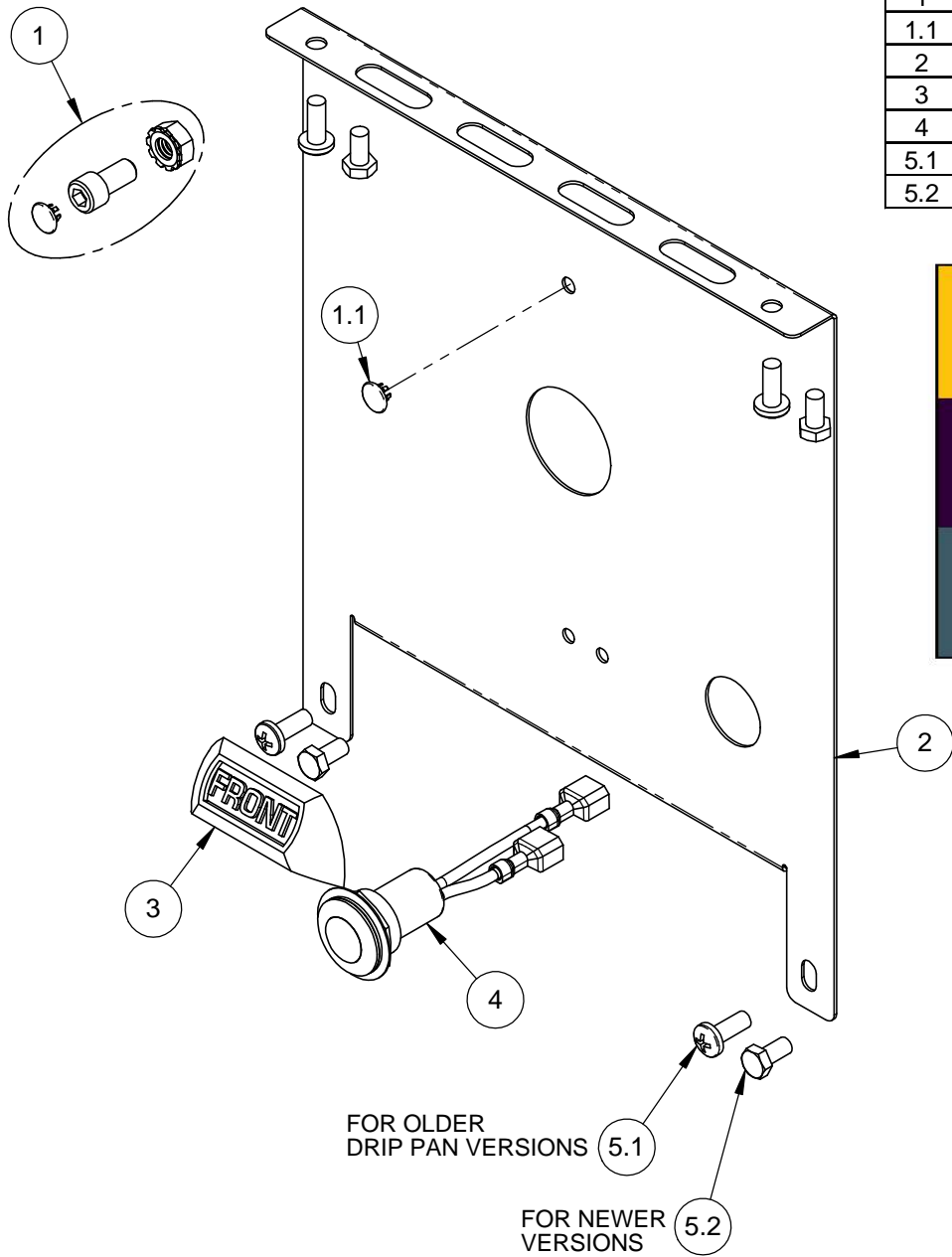
# REPLACEMENT PARTS - SINGLE SIDE BURNER



| APPLICABLE MODEL NUMBERS |           |
|--------------------------|-----------|
| AGB121-NG                | AGB121-LP |



NOTE: ITEM 1 FOR OLDER STYLE CONTROL PANELS WHICH FEATURE THIS PLUG + SCREW + NUT ASSEMBLY



| ITEM | PART NUMBER | DESCRIPTION                                    | QTY |
|------|-------------|--|-----|
| 1    | 010163      | SERVICE, INDICATOR, OFF POSITION, CONTROL KNOB | 1   |
| 1.1  | 017808      | SERVICE, PLUG, 1/4-20 SHCS, CHROME, PKG 5      | 1   |
| 2    | 008995-XX   | PANEL, CONTROL, SIDE BURNER, SINGLE            | 1   |
| 3    | 007800      | ASSY., VALVE MARKER/NUT, FRONT, GRILL          | 1   |
| 4    | 006950      | SWITCH, PUSHBUTTON, 3/4", SPST, 10A, 115VAC    | 1   |
| 5.1  | 017429      | SERVICE, MS, 10-24 X 1/2, PH, PAN, SS, PKG 6   | 1   |
| 5.2  | 024037      | SERVICE, MS, 10-24 X 3/8, HEXHD, SS, PKG 6     | 1   |

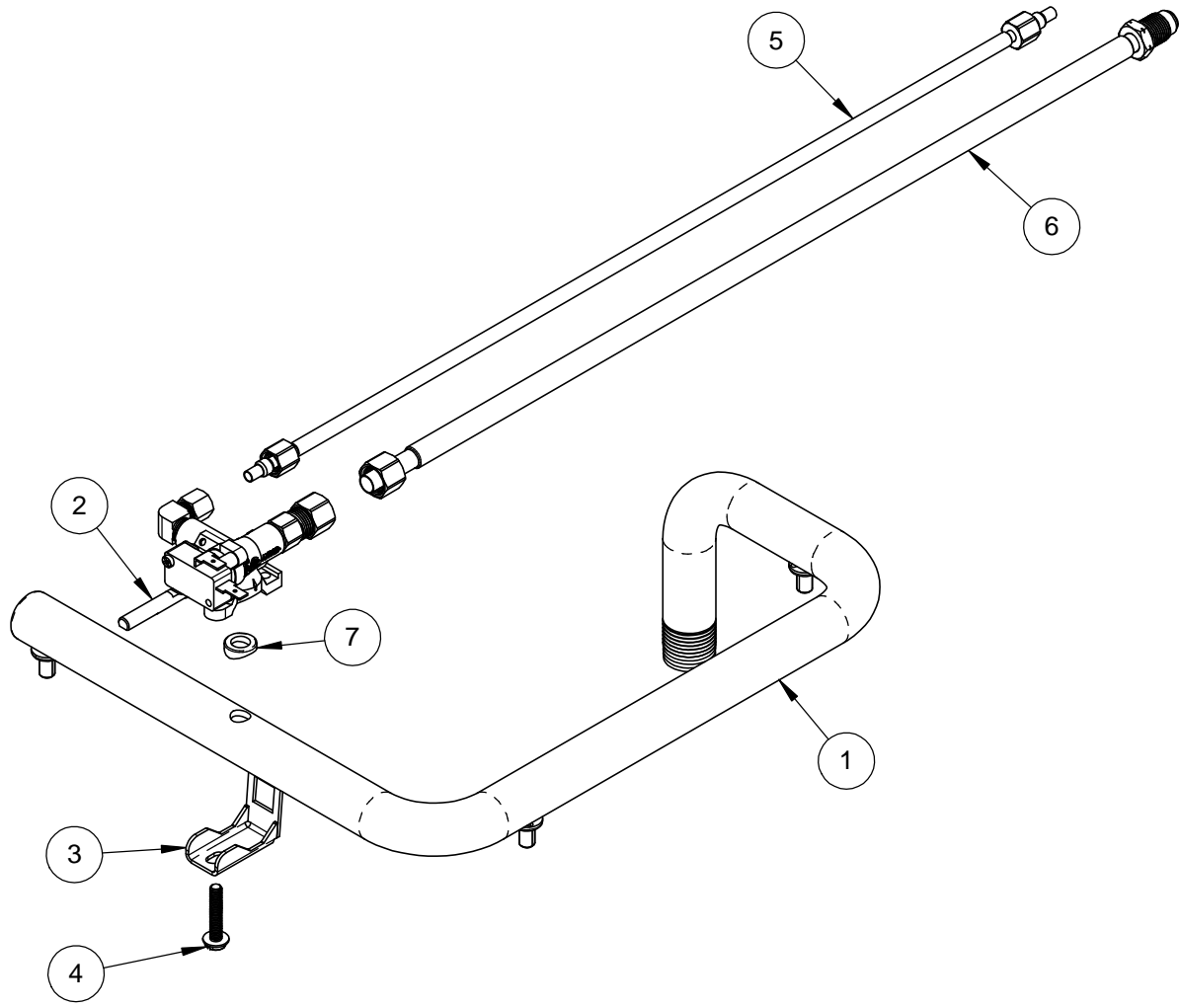


| COLOR CODE | COLOR                   |
|------------|-------------------------|
| -BK        | STEALTH - BLACK         |
| -WH        | FROTH - WHITE           |
| -RD        | METADOR - RED           |
| -YW        | SOL - YELLOW            |
| -OR        | CITRA - ORANGE          |
| -BG        | TIN ROOF - BURGUNDY     |
| -PP        | LUSH - PURPLE           |
| -BU        | PRINCE - BLUE           |
| -GR        | GROVE - GREEN           |
| -GG        | PACIFIC FOG - DARK GRAY |
| -TQ        | BORA BORA -TURQUOISE    |

 HESTAN

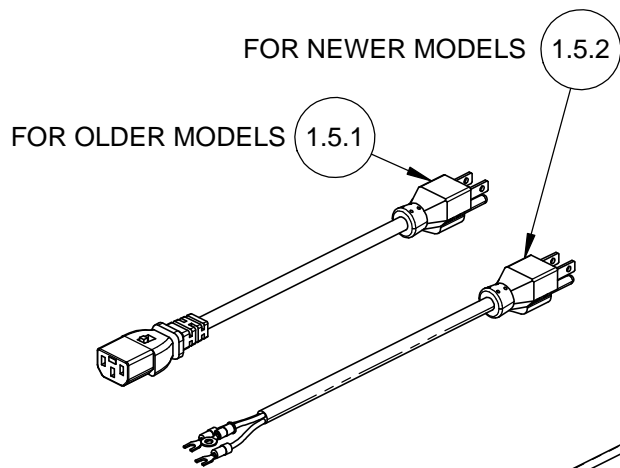
|             |  |
|-------------|--|
| DESCRIPTION | <b>SERVICE, ASSY., PANEL, CONTROL, SIDE BURNER, SINGLE</b> |
| DRAWING NO  | <b>A1</b>  |

| ITEM | PART NUMBER | DESCRIPTION                                      | QTY |
|------|-------------|--|-----|
| 1    | 007909      | MANIFOLD, SINGLE SIDE BURNER, WA                 | 1   |
| 2    | 007174      | VALVE, SADDLE-MOUNT, DUAL, AX00B                 | 1   |
| 3    | 006997      | CLAMP, GAS VALVE                                 | 1   |
| 4    | 010345      | SERVICE, MS, 10-32 X 1.00, SL, HEXWAS, SS, PKG 4 | 1   |
| 5    | 005688      | HOSE, FLEX, 3/16 OD, 18", F-F, NUT/FERRULE       | 1   |
| 6    | 017423      | SERVICE, HOSE, FLEX, 5/16 OD, 18", F-F           | 1   |
| 7    | 006946      | GASKET, VALVE, SADDLE-MOUNT, SEVEN-U             | 1   |



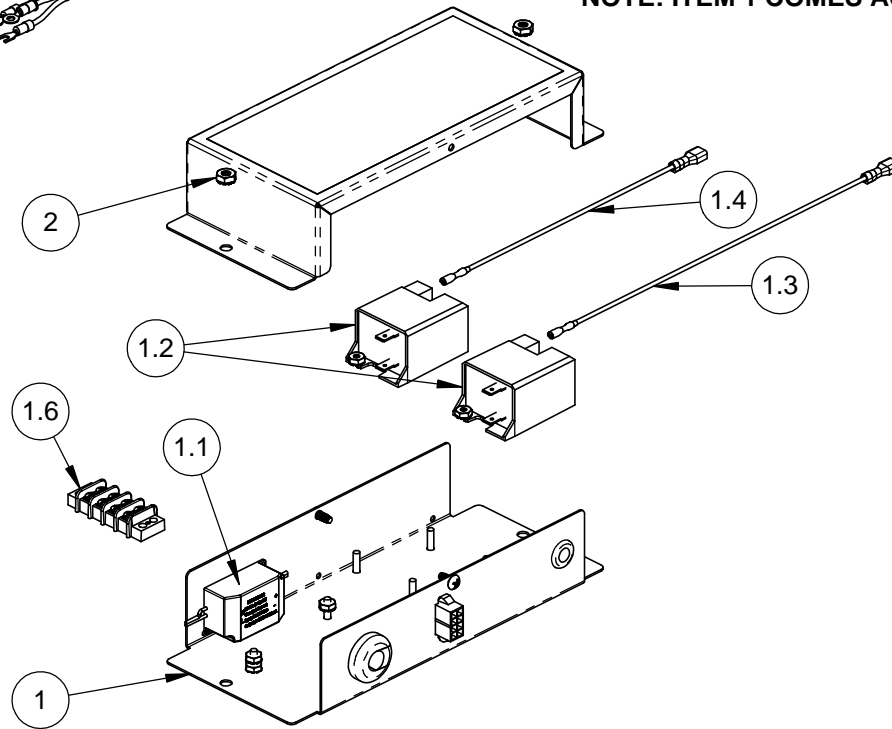
 **HESTAN**

|             |  |
|-------------|--|
| DESCRIPTION | <b>SERVICE, ASSY., GAS MANIFOLD,<br/>SIDE BURNER, SINGLE</b> |
| DRAWING NO  | <b>A2</b>  |



| ITEM  | PART NUMBER | DESCRIPTION   | QTY    |        |
|-------|-------------|---|--------|--------|
|       |             |   | AGB121 | AGB122 |
| 1     | 008380-001  | ASSY., ELECTRICAL BOX, SIDE BURNER, SINGLE              | 1      | -      |
|       | 008380-002  | ASSY., ELECTRICAL BOX, SIDE BURNER, DOUBLE              | -      | 1      |
| 1.1   | 024038      | SERVICE, KIT, LED DRIVER REPLACEMENT, SIDE BURNER       | 1      | 1      |
| 1.2   | 000529      | MODULE, EGO RE-IGNITER, RI120A-1                        | 1      | 2      |
| 1.3   | 011658      | SERVICE, WIRE, IGNITER, 18"                             | -      | 1      |
| 1.4   | 011655      | SERVICE, WIRE, IGNITER, 13"                             | 1      | 1      |
| 1.5.1 | 009015      | CORD, POWER, 6FT, 3 BLADE PLUG                          | 1      | 1      |
| 1.5.2 | 023755      | SERVICE, CORD, POWER, 79", 3 BLADE PLUG, WITH TERMINALS | 1      | 1      |
| 1.6   | 001457      | TERMINAL BLOCK, 4 CIRCUIT, 3/8" SPACING                 | 1      | 1      |
| 2     | 011716      | SERVICE, NUT, KEPS, #10-32, SS, PKG 4                   | 1      | 1      |

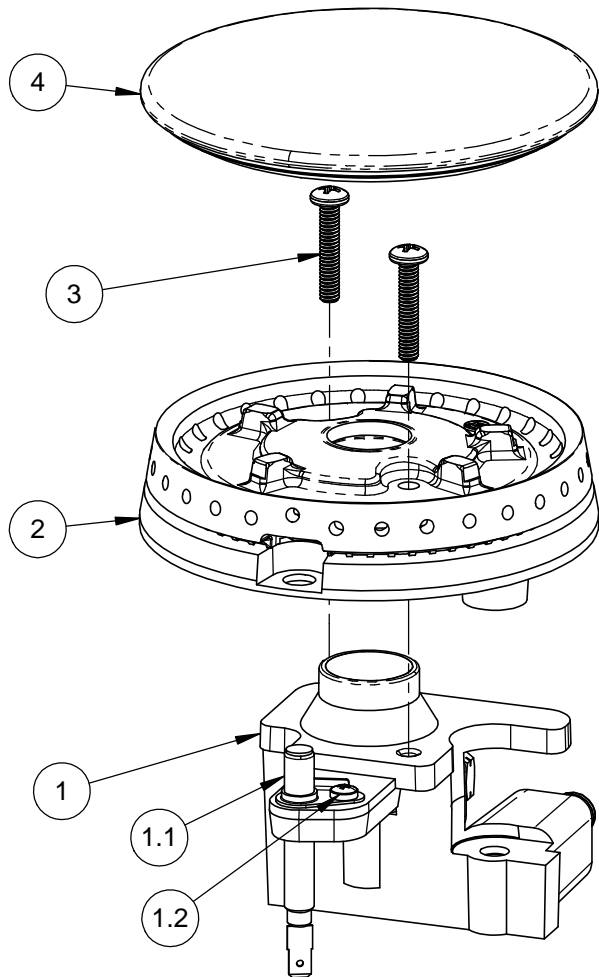
**NOTE: ITEM 1 COMES ASSEMBLED WITH ITEMS 1.1 THRU 1.6.**



**DOUBLE SIDE BURNER ELECTRICAL BOX SHOWN FOR REFERENCE**



|             |  |
|-------------|--|
| DESCRIPTION | <b>SERVICE, ASSY., ELECTRICAL BOX, OUTDOOR SIDE BURNER</b> |
| DRAWING NO  | <b>A3</b>  |



| ITEM | PART NUMBER | DESCRIPTION                                  | QTY |
|------|-------------|--|-----|
| 1    | 007949      | ORIFICE HOLDER, STACKED BURNER, LARGE        | 1   |
| 1.1  | 010331      | SERVICE, ASSY., IGNITER WITH BRACKET         | 1   |
| 1.2  | 017815      | SERVICE, IGNITER SCREW, PKG 2                | 1   |
| 2    | 007950      | BASE, STACKED BURNER, LARGE                  | 1   |
| 3    | 017811      | SERVICE, MS, 8-32 X .875, PH, PAN, SS, PKG 4 | 1   |
| 4    | 007951      | CAP, STACKED BURNER, LARGE                   | 1   |

**NOTES:**

1. ITEM 1 COMES ASSEMBLED WITH ITEMS 1.1 AND 1.2.
2. ORDER P/N 007955 FOR THE COMPLETE ASSEMBLY OF ITEMS 1 THRU 4.

 HESTAN

|             |  |
|-------------|--|
| DESCRIPTION | <b>SERVICE, ASSY., BURNER,<br/>DUAL STACKED, LARGE</b> |
| DRAWING NO  |  |

A4



Hestan Commercial Corporation

3375 E. La Palma Ave.

Anaheim, CA 92806

(888) 905-7463

RETAIN THIS FOR FUTURE REFERENCE