



CLASSEQ LTD

Spares manual

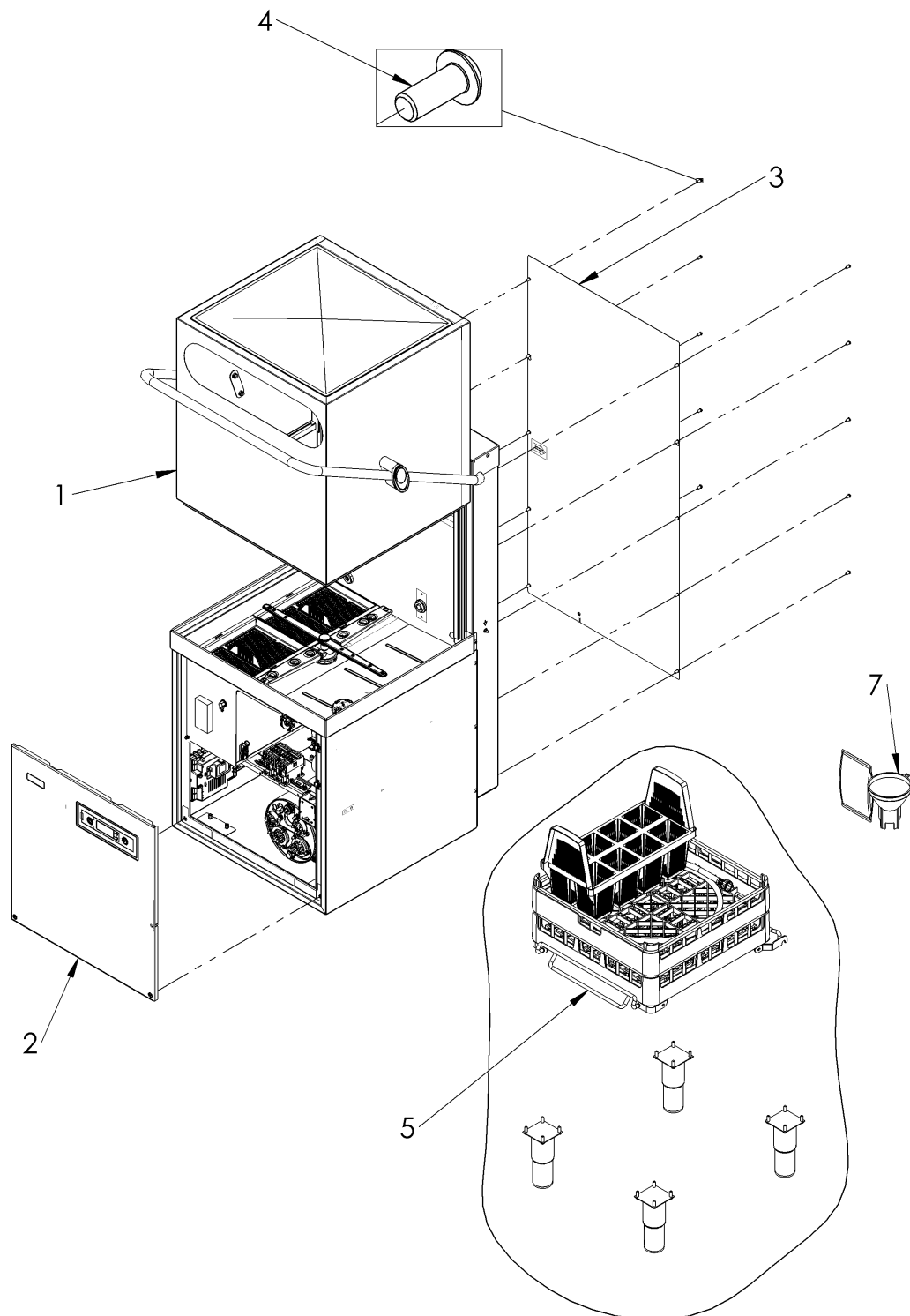
P500 AS WS

YR2020 WK11

Table of contents for YR2020 WK11

1.	Machine assembly.....	3
2.	Front panel assembly	5
3.	Frame Assembly	7
4.	Base Assembly.....	9
5.	Hood Mechanism assembly	11
6.	Hood Assembly	13
7.	Fill System WS	15
8.	12kW – AS Boiler assembly	17
9.	PT Water softener Air break	19
10.	Water softener kit.....	21
11.	Rinse pump assembly PT.....	23
12.	Wash and Rinse system	25
13.	Wash pump assembly	27
14.	Wash Boss assembly (30013519).....	29
15.	Kit Rotary arms Washing (60003520)	31
16.	Top manifold assembly	33
17.	Top manifold	35
18.	Center boss assembly	37
19.	Drain System	39
20.	Kit Sump Drain	41
21.	Kit Lock Nut	43
22.	Control Unit WS	45
23.	Centre Rail Assembly STD	47
24.	Rinse aid pump assembly (30015061)	49
25.	Detergent pump assembly (30015060)	51
26.	Electrical Assembly AS	53
27.	Cable Accessories.....	55
28.	Accessories.....	57
29.	Dishwasher accessories	58
30.	WS accessories kit.....	58
31.	Mains cable	58

1. Machine assembly

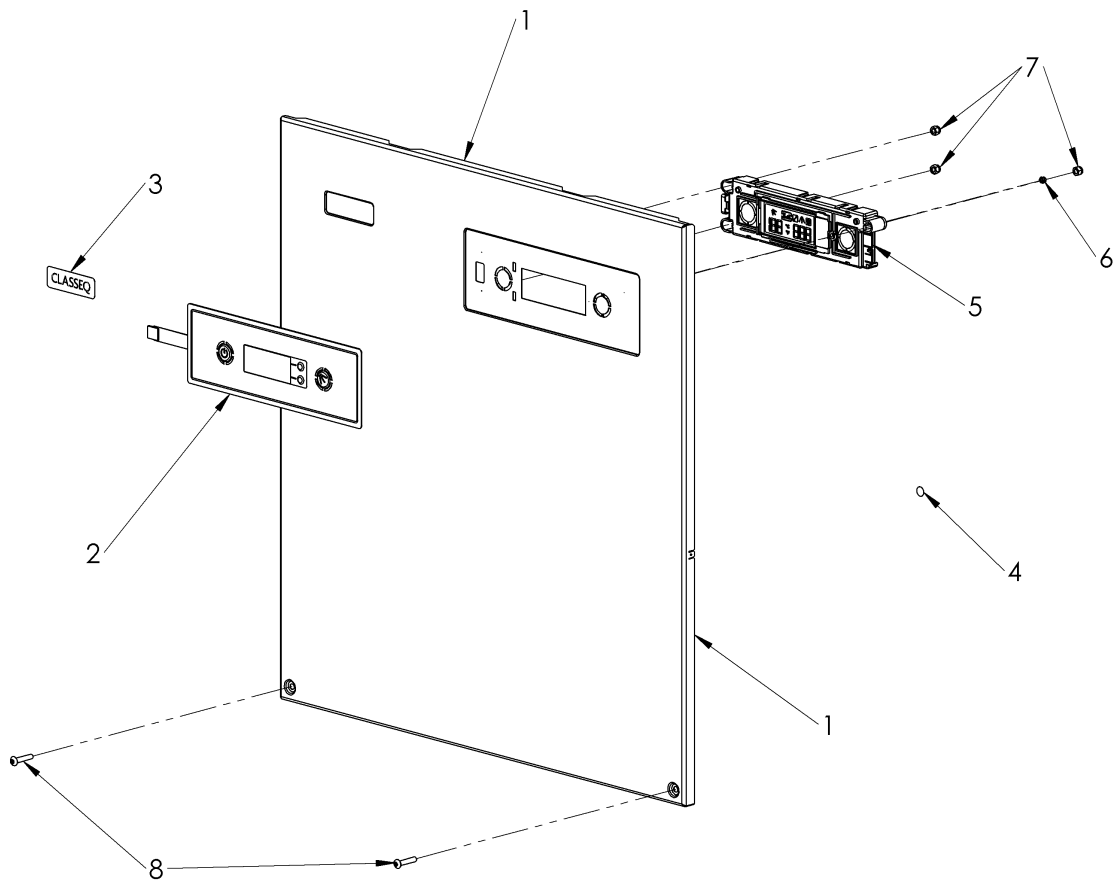


30015044-A

1. Machine assembly - BOM

Item	Description	Part number	QTY.	Note
1	PT Frame Assembly AS WS		1	
2	Front panel Assembly - PT	30015021	1	
3	Rear Panel Assembly - PT	30015022	1	
4	M5 x 12 Hex socket button head screw	30006300	10	
5	PT - Accessories		1	
6	PT - Mains Cables		1	Not shown
7	WS accessories kit		1	

2. Front panel assembly

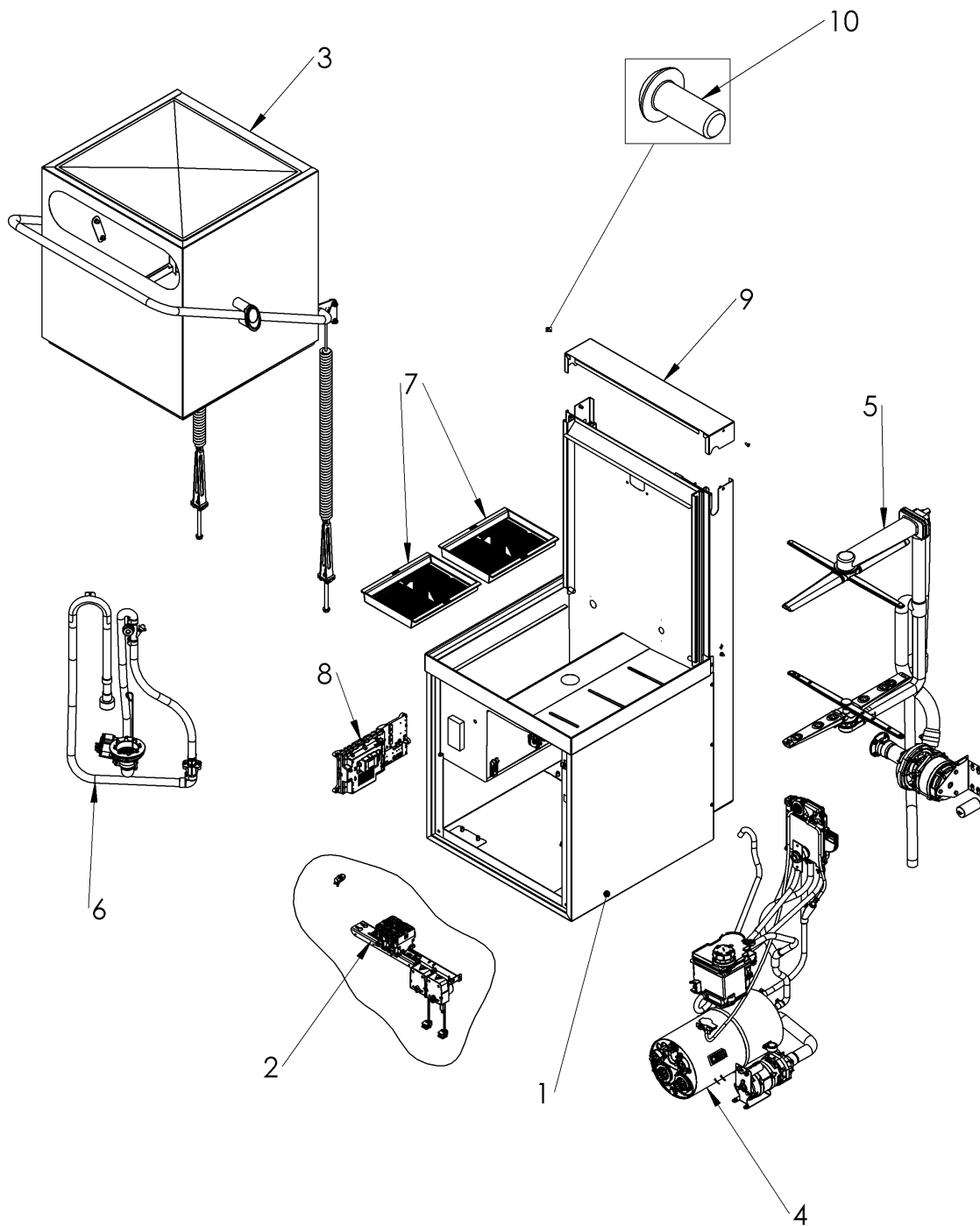


30015021-A

2. Front Panel assembly – BOM

Item	Description	Part number	QTY.	Note
1	Front panel PT	30014754	1	
2	Keypad Kit	30013512	1	
3	CLASSEQ badge		1	Not available as a spare
4	Earth Sticker - Removable Parts		1	
5	Premium UI assembly	30011403	1	
6	M3 Thin Nylock nut (ISO 10511)	30001051	1	
7	M5 Thin Nylock nut (ISO 10511)	30006274	3	
8	M5x25mm Button Head screw	30014525	2	

3. Frame Assembly

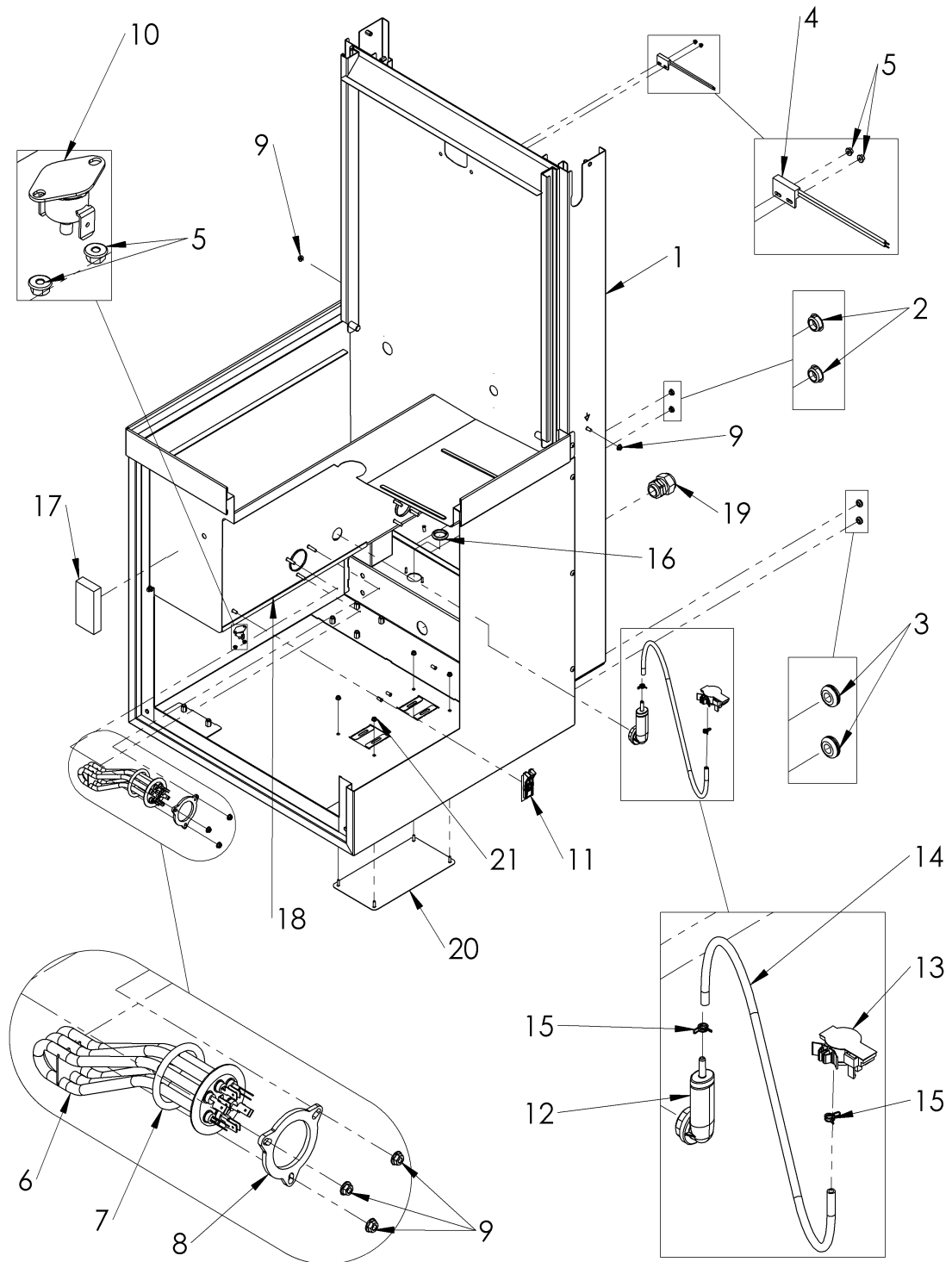


30015037-A

3. Frame Assembly – BOM

Item	Description	Part number	QTY.	Note
1	Base Assembly PT		1	
2	PT_Centre Rail Components-AS		1	
3	Hood Mechanism Assembly		1	
4	PT_Fill System AS-WS		1	
5	Wash & Rinse System		1	
6	Drain System STD		1	
7	PT - Primary Filter	30014228	2	
8	PT_Control Unit WS	30015019	1	
9	Top Rear cover	30014750	1	
10	M5 x 12 Hex socket button head screw	30006300	2	

4. Base Assembly

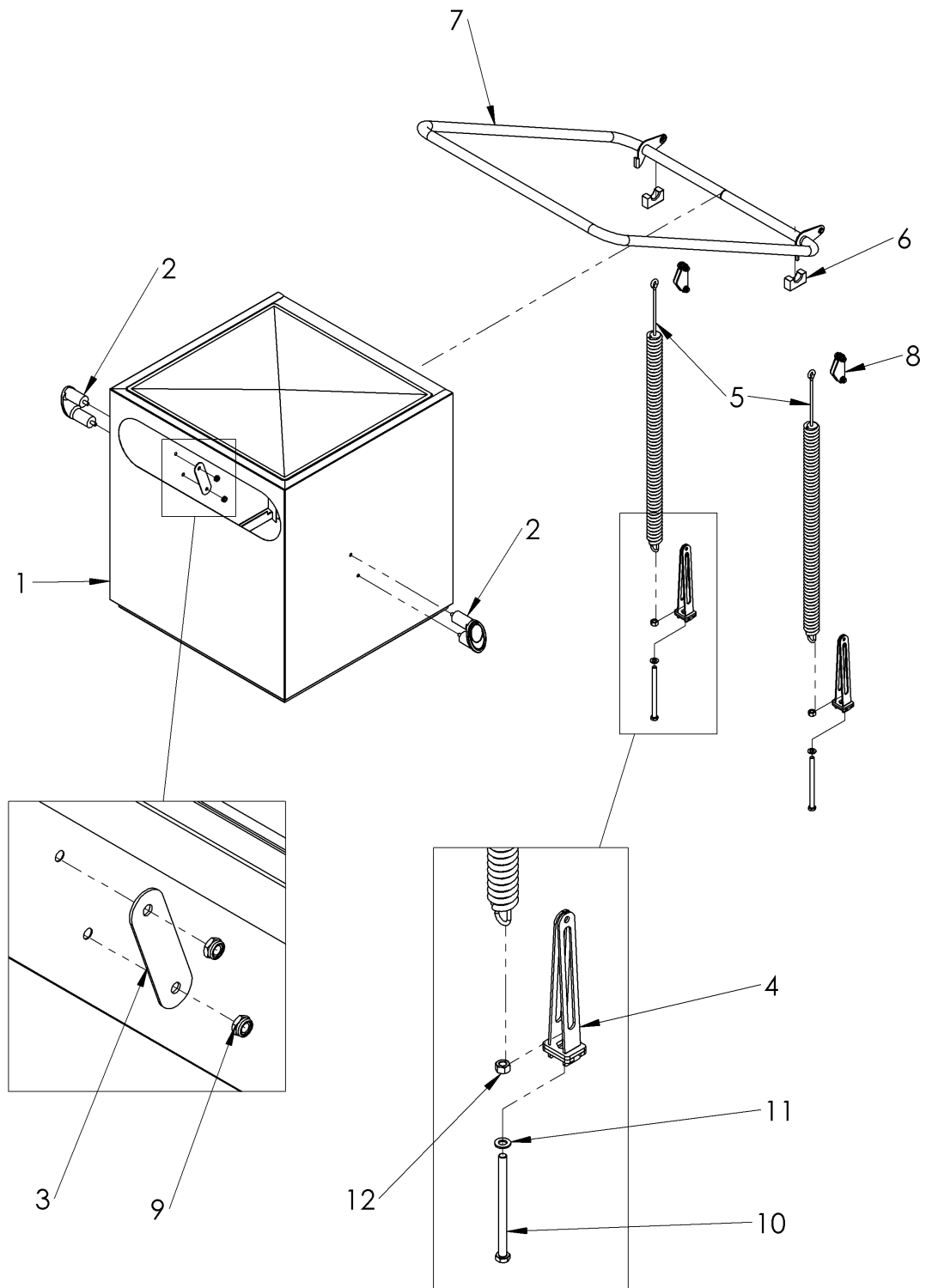


30015029-A

4. Base Assembly – BOM

Item	Description	Part number	QTY.	Note
1	Base Steel Assembly		1	
2	Cap Chemical Tube Hole	30002143	2	
3	Chemical tube grommet	30002141	2	
4	Crimped proximity switch assembly	30000980	1	
5	M3 Flange nut (DIN 6923)	30001171	4	
6	4.05 kW Element - No phile	30013218	1	
7	O-Ring - Ø46 x Ø6	30000947	1	
8	Bracket - rinse element	117003	1	
9	M5 Flange nut (DIN 6923)	30001186	5	
10	Overheat stat 1 Pole 85°C	30007917	1	
11	Kit thermo sensor	30002179	1	
12	Kit air pressure chamber	60003525	1	
13	Pressure sensor	3126044	1	
14	Wash APS Tube - 350 / PT	30014329	1	
15	Spring clip - Ø8.8mm to Ø9.3mm	30011994	2	
16	28mm Blanking Grommet	30014828	1	
17	Foam Pad Rectangular	30013499	1	
18	350mm Foam seal	30011634	1	
19	Cable Gland	3110153	1	
20	Vermin Plate	30001836	1	
21	M4 Flange nut (DIN 6923)	30006237	4	

5. Hood Mechanism assembly

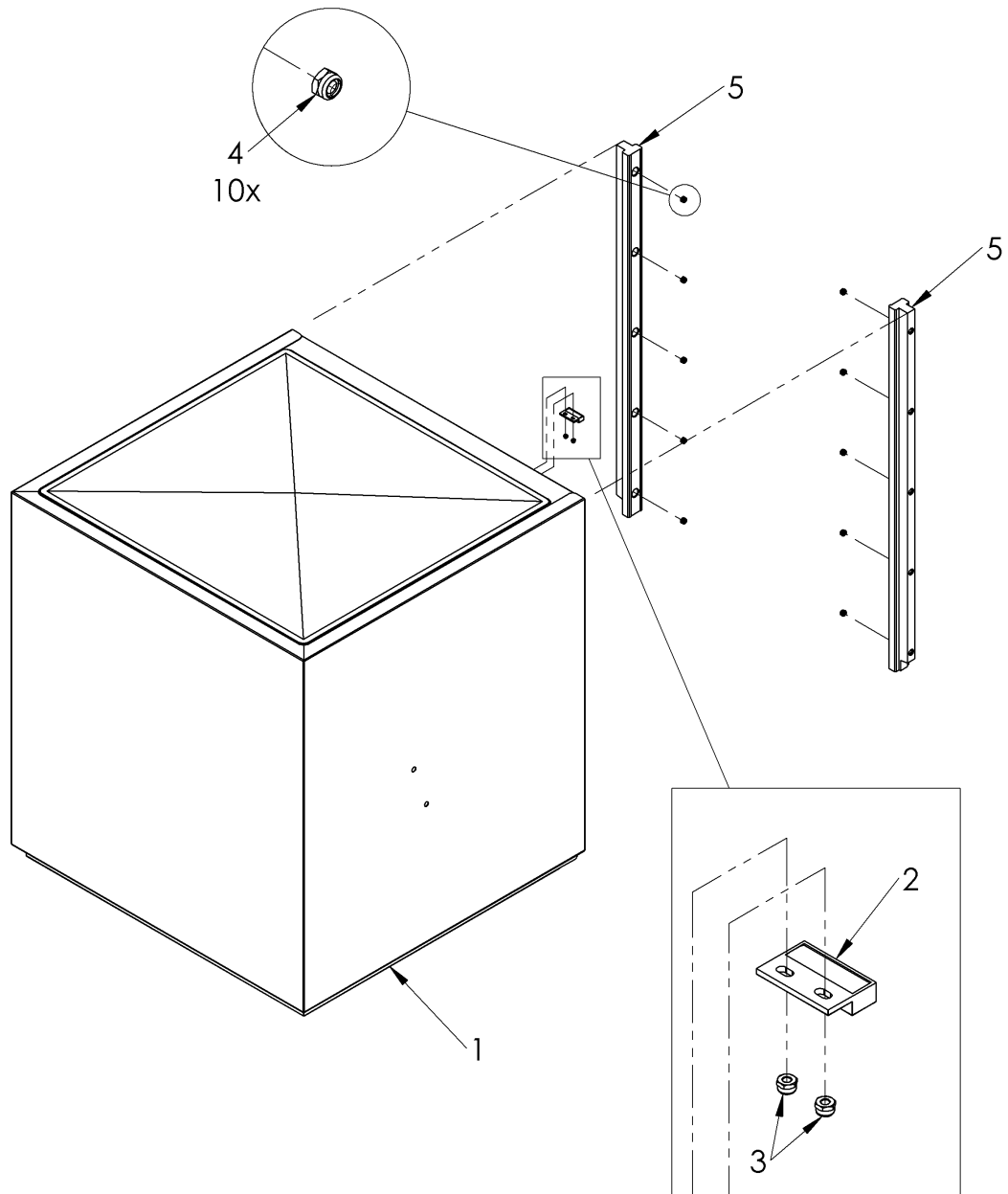


30015025-A

5. Hood Mechanism assembly – BOM

Item	Description	Part number	QTY.	Note
1	SW_PT_Hood Assembly	30015053	1	
2	Handle guide	30001205	2	
3	Handle Guild Support Plate	30001206	2	
4	SW_PT_Spring Bracket Assembly	30015057	2	
5	Hood Spring	61006603	2	
6	PT_Handle Bearing	30015055	2	
7	SW_PT_Handle Bar Assembly	30015056	1	
8	Arm Spring Bracket	30001173	2	
9	M8 Nylock nut (ISO 10511)	30006270	4	
10	M10x150 Hex Bolt	30015028	2	
11	M10 Plain Washer	30015027	2	
12	M10 Hex nut (DIN 934)	2101306	2	

6. Hood Assembly

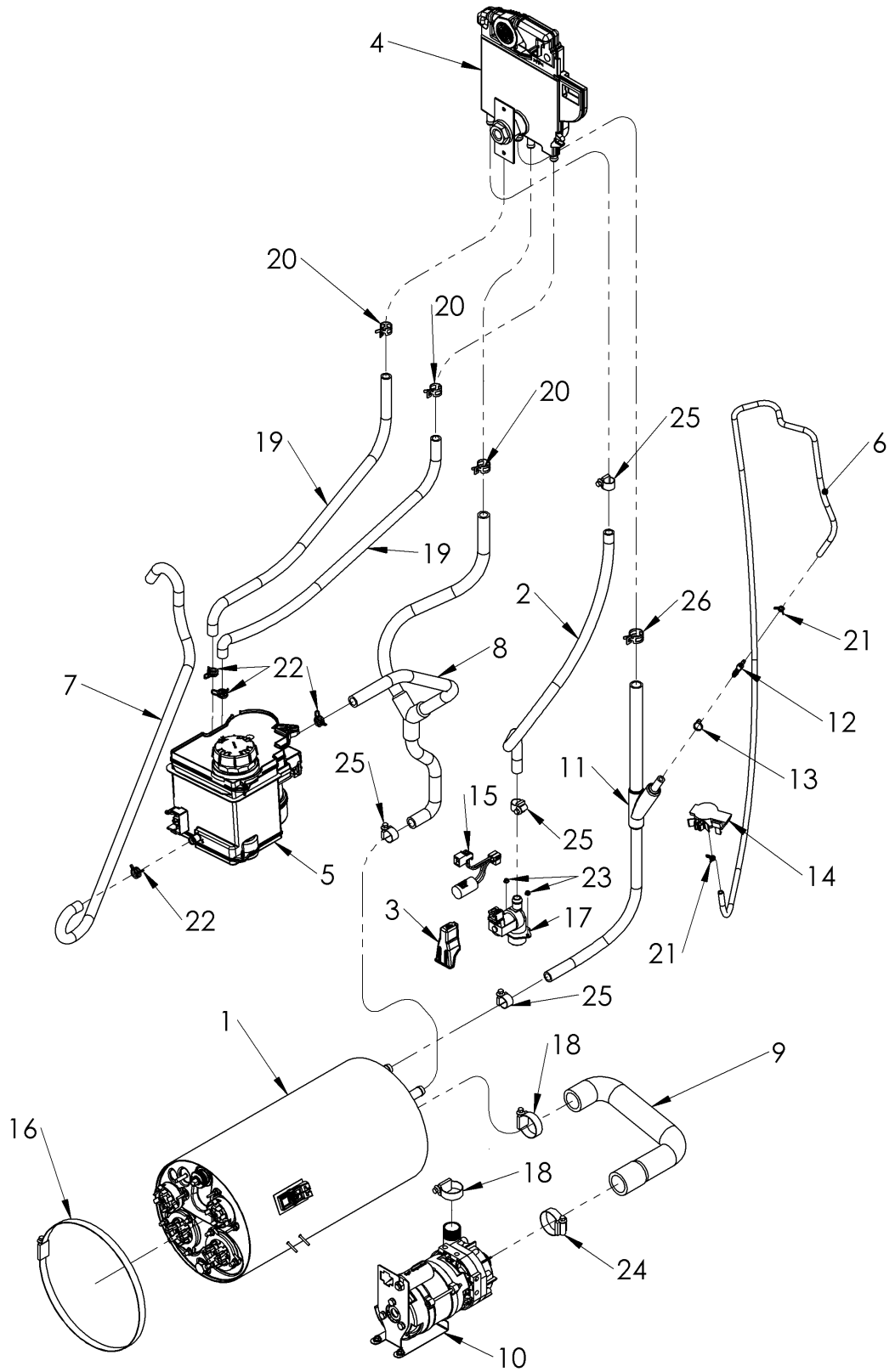


30015053-A

6. Hood assembly – BOM

Item	Description	Part number	QTY.	Note
1	Hood steel assembly	30015026	1	
2	Door magnet	30000981	1	
3	M3 Thin Nylock nut (ISO 10511)	30001051	2	
4	M5 Thin Nylock nut (ISO 10511)	30006274	10	
5	PT- Hood Runner	30015054	2	

7. Fill System WS

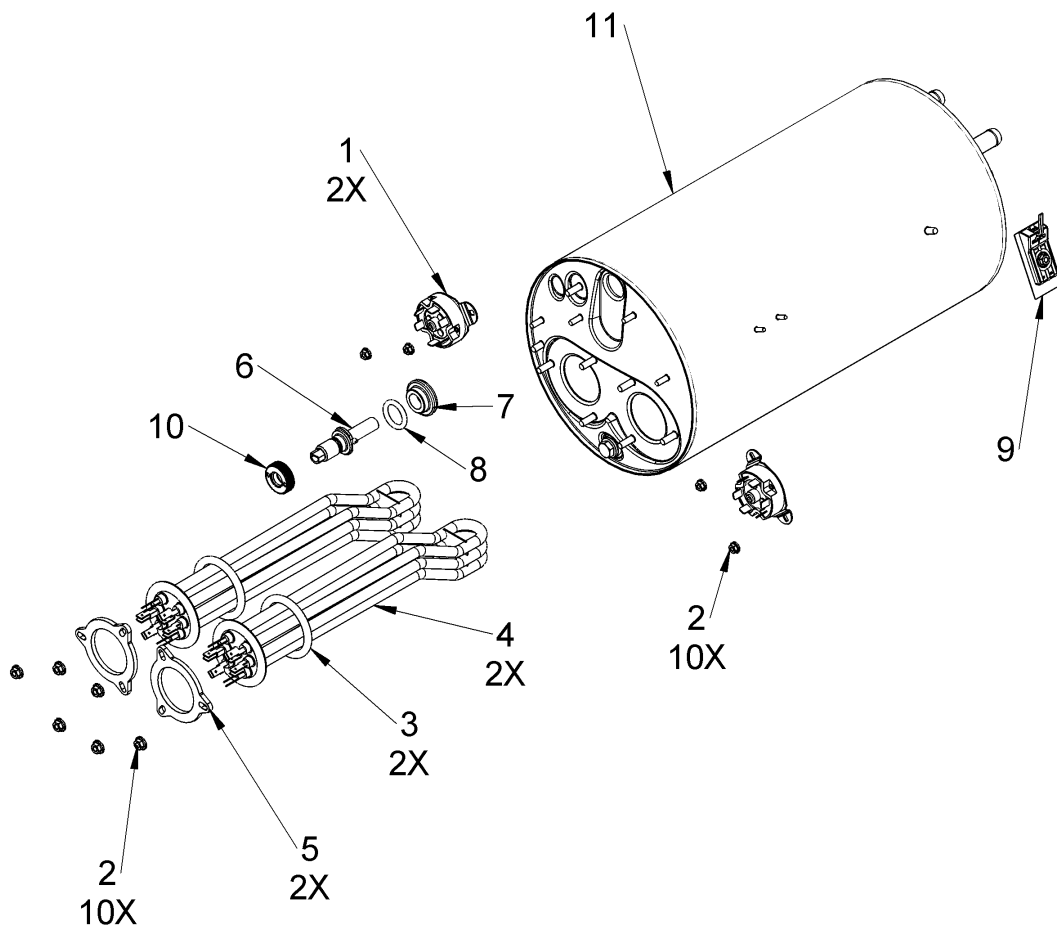


30015015-A

7. Fill System WS – BOM

Item	Description	Part number	QTY.	Note
1	12Ltr AS Boiler Assembly	30013541	1	
2	AB ISV White Hose - PT 2020	30014824	1	
3	Solenoid Cover	60002712	1	
4	PT - Water Softener Air Break	30014275	1	
5	Water softener kit	83000420	1	
6	Silicon tube cut to 1760mm	30006284	1	
7	WS Brine waste hose - P3	30006072	1	
8	Moulded Hose - PT WS to AB	30006055	1	
9	Rinse boiler to rinse pump - AS	30006065	1	
10	Rinse Pump Assembly - PT	30015006	1	
11	Hose - Boiler to Air Break	30013334	1	
12	Reducing connector 6-4mm	30006129	1	
13	4x160mm cable tie	30006229	1	
14	Pressure sensor	3126044	1	
15	RC Filter Connector Kit	30014594	1	
16	Jubilee clip - 200mm - 220mm	30006260	1	
17	Solenoid valve - RAST 5 - 4L/min	3106210	1	
18	Jubilee Clip -25mm to 40mm	30001089	2	
19	WS Port 2 to WS AB Port 2 hose - 500mm WS	30006048	2	
20	Spring band - Ø16mm	30008920	3	
21	Spring clip - Ø7mm to Ø7.5mm	30001789	2	
22	Spring clip - Ø12.8mm to Ø15mm	30006121	4	
23	M3 Flange nut (DIN 6923)	30001171	2	
24	Sp. Jubilee Clip - 25mm to 40mm	30013293	1	
25	Jubilee Clip - 12mm to 22mm	30001088	4	
26	Spring band - Ø19mm	30006040	1	

8. 12kW – AS Boiler assembly

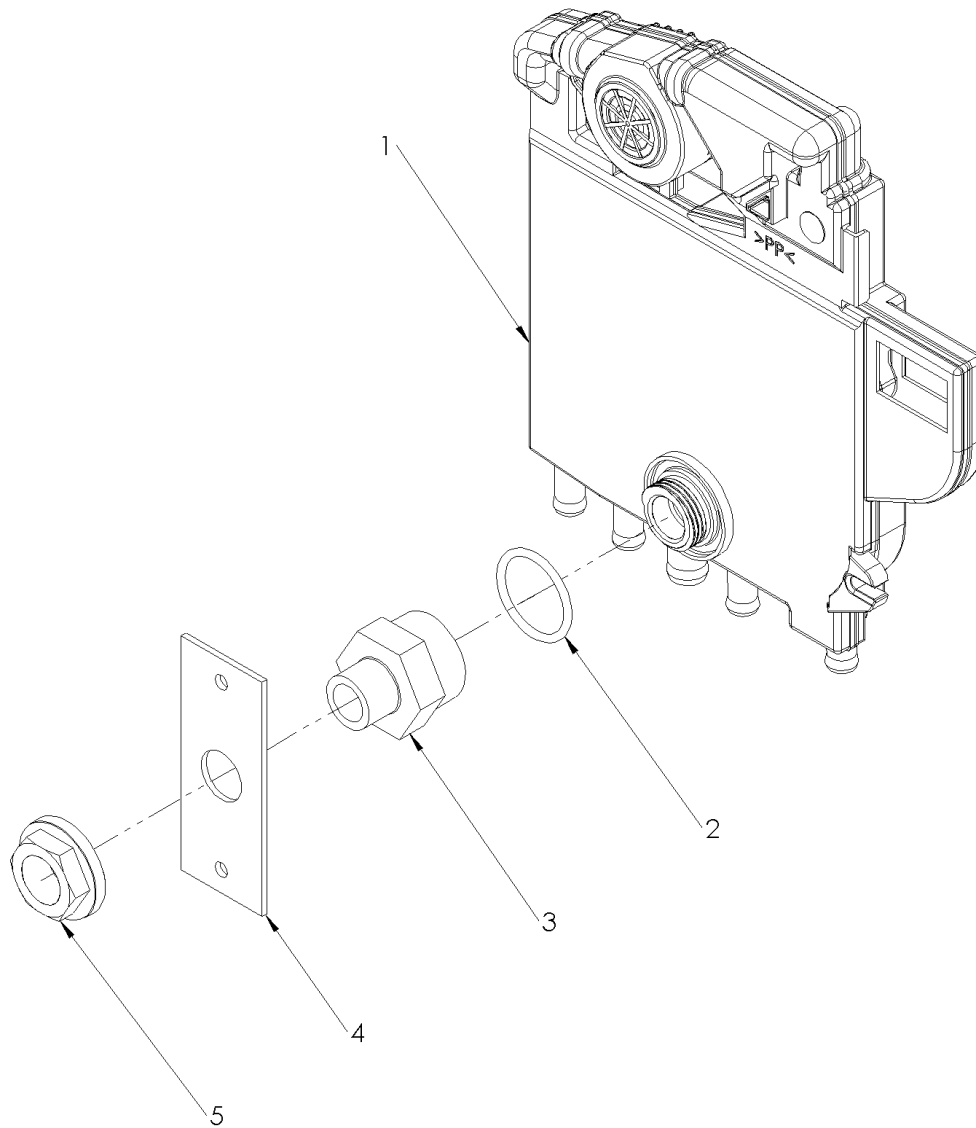


30013541-A

8. 12kW AS Boiler assembly – BOM

Item	Description	Part number	QTY.	Note
1	Manual reset thermal trip switch - 3 pole - 95°C	30006090	2	
2	M5 Flange nut (DIN 6923)	30001186	10	
3	O-Ring - Ø46 x Ø6	30000947	2	
4	6kW element - no phile	30011827	2	
5	Bracket - rinse element	0117003	2	
6	Float Plug	30013441	1	
7	Ring	60003943	1	
8	O Ring (23 x 3.5mm)	2707093	1	
9	Kit thermo sensor	30002179	1	
10	Nut M14x2 D28,8X8	60003989	1	
11	Rinse Boiler - 12kW	30013565	1	

9. PT Water softener Air break

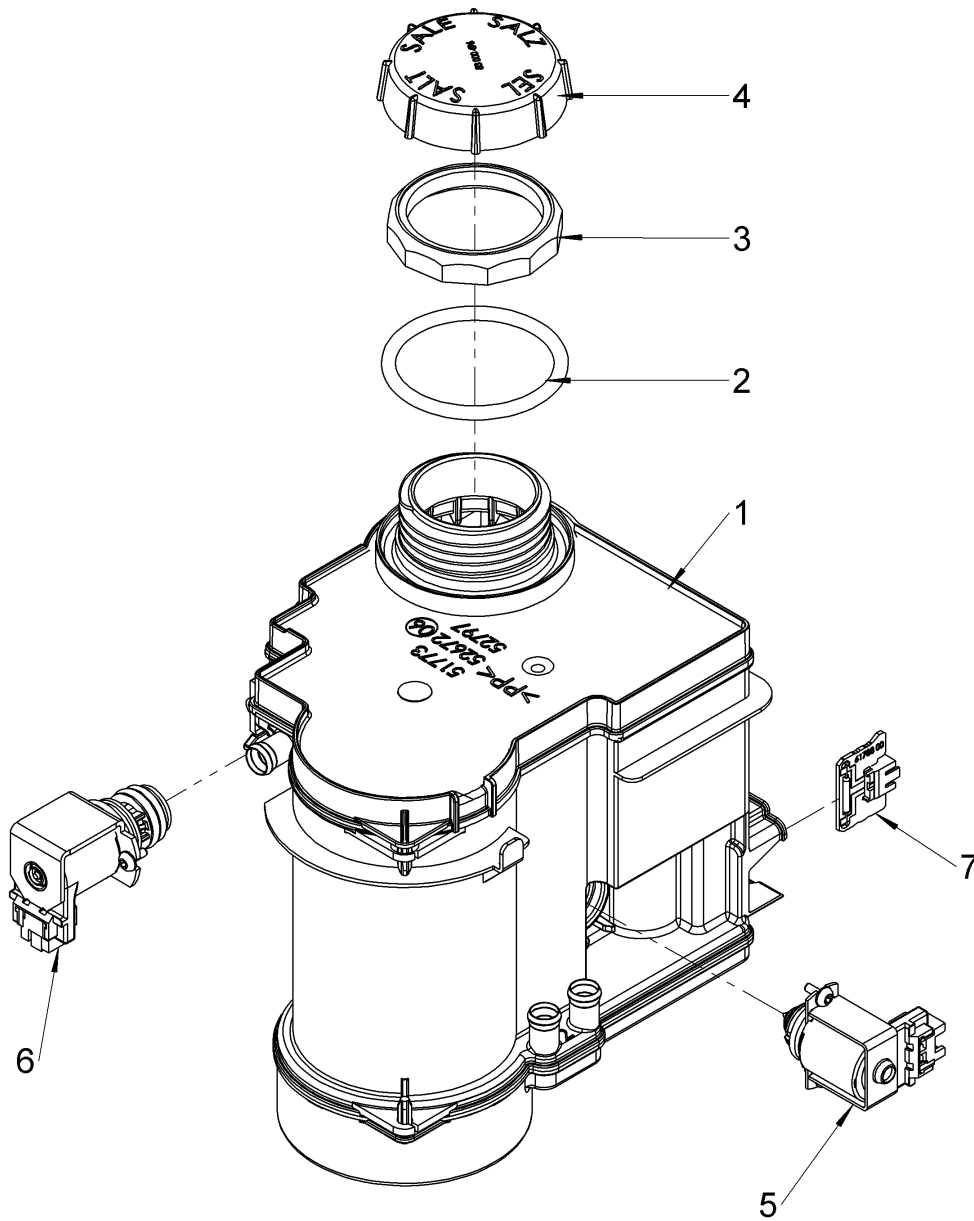


30014275-A

9. PT Water softener Air break– BOM

Item	Description	Part number	QTY.	Note
1	AIR GAP	83000414	1	
2	O-ring - Ø30mmx3mm	30012629	1	
3	Reducer F/M bsp 1/2" x 3/4"	30008940	1	
4	Air break seal	30012588	1	
5	PVC Backnut 1/2"	30008941	1	

10. Water softener kit

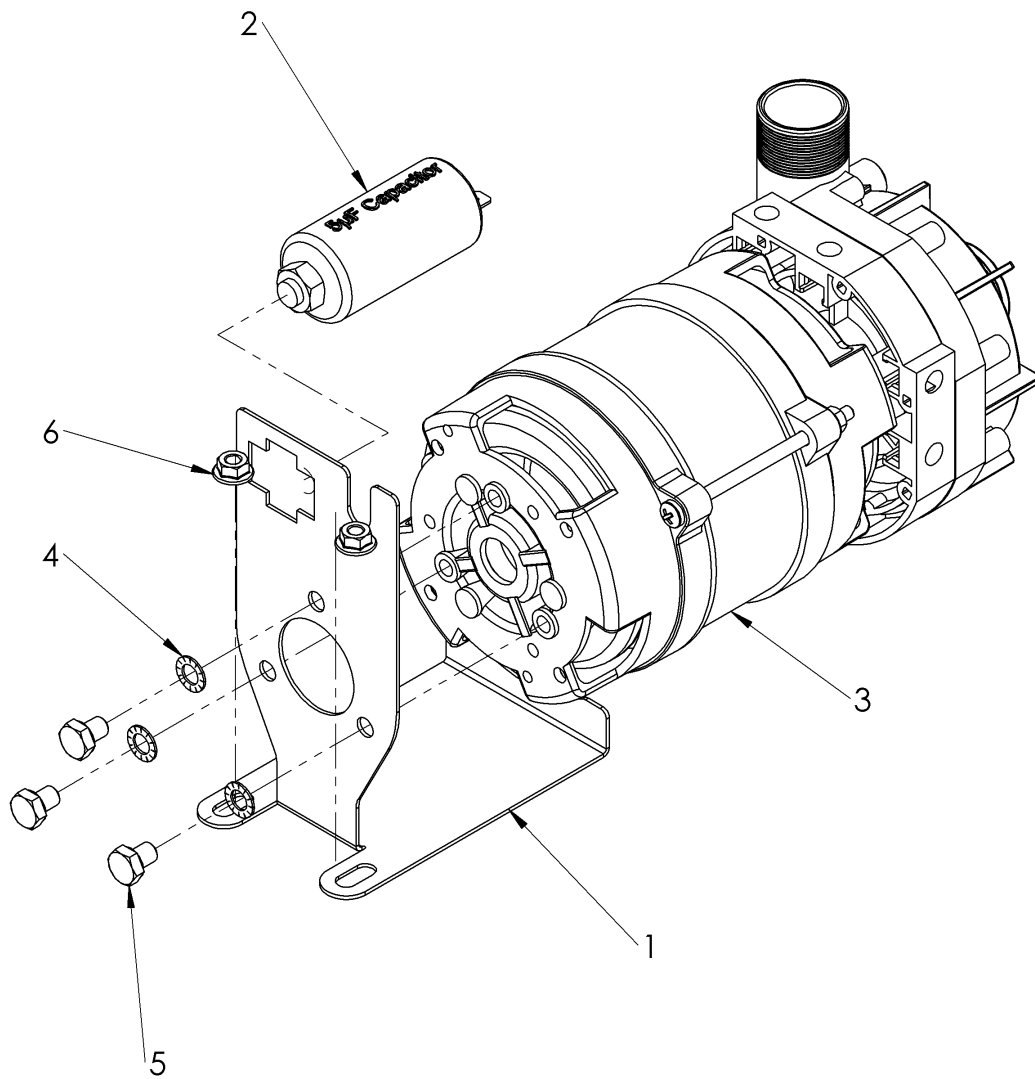


83000420-A

10. Water softener kit-BOM

Item	Description	Part number	QTY.	Note
1	Water softener 220-240V		1	
2	O-ring - Ø56 x Ø5	2707065	1	
3	LOCK NUT	60003001	1	
4	Salt reservoir cap	60004894	1	
5	Repair kit Regeneration valve	83000402	1	
6	Repair kit reversing valve	83000460	1	
7	Salt recognition reed contact	83000408	1	

11. Rinse pump assembly PT

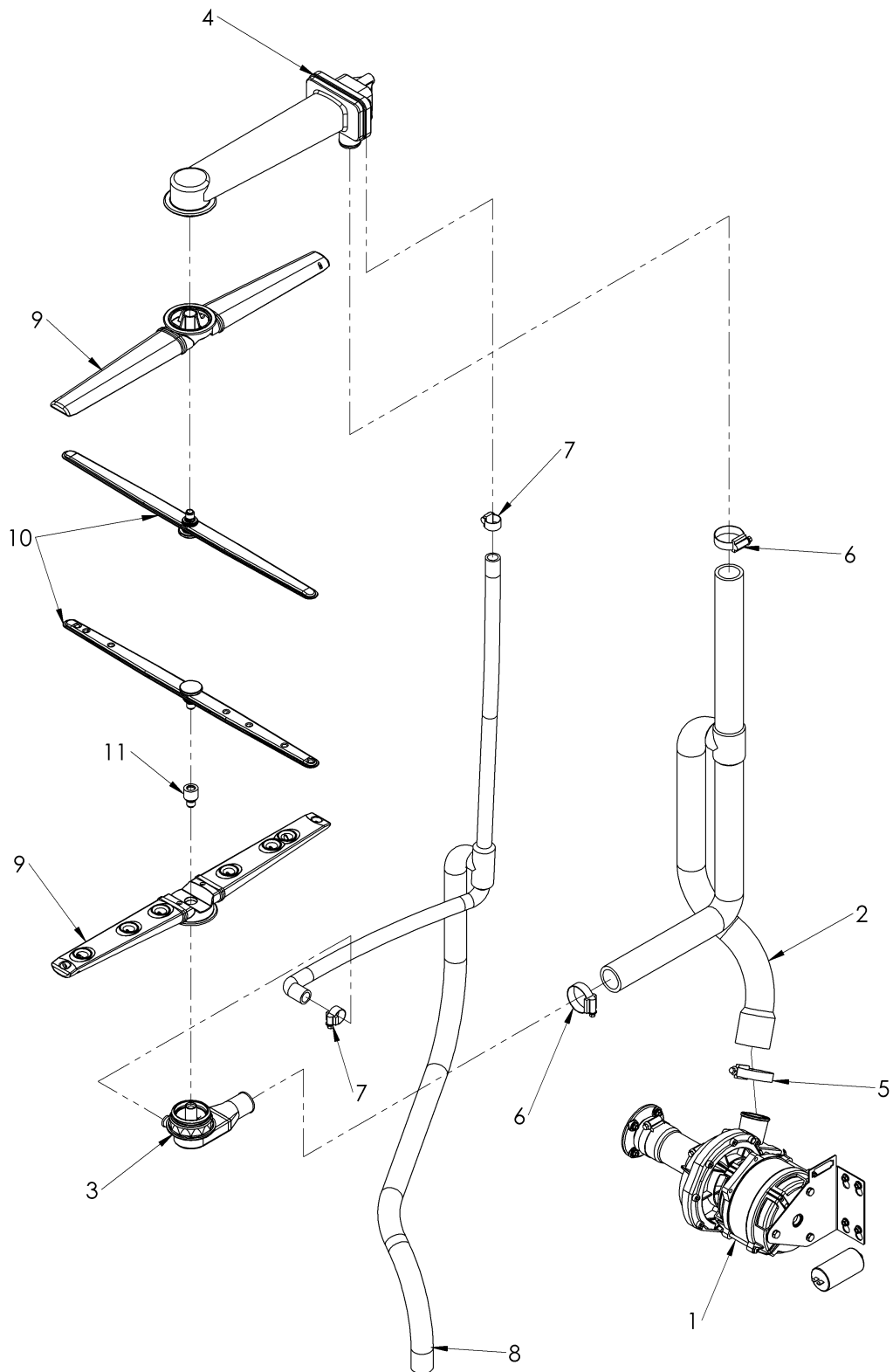


30015006-A

11. Rinse pump assembly PT-BOM

Item	Description	Part number	QTY.	Note
1	Rinse Pump Bracket - PT [2020]	30014753	1	
2	5 μ F Capacitor	30011583	1	Includes washer & nut
3	Rinse booster pump - 0.19kW	30011819	1	
4	M6 Serrated washer	30007939	3	
5	M6 x 8 hex head screw (ISO 4017)	30011209	3	
6	M5 Flange nut (DIN 6923)	30001186	2	

12. Wash and Rinse system

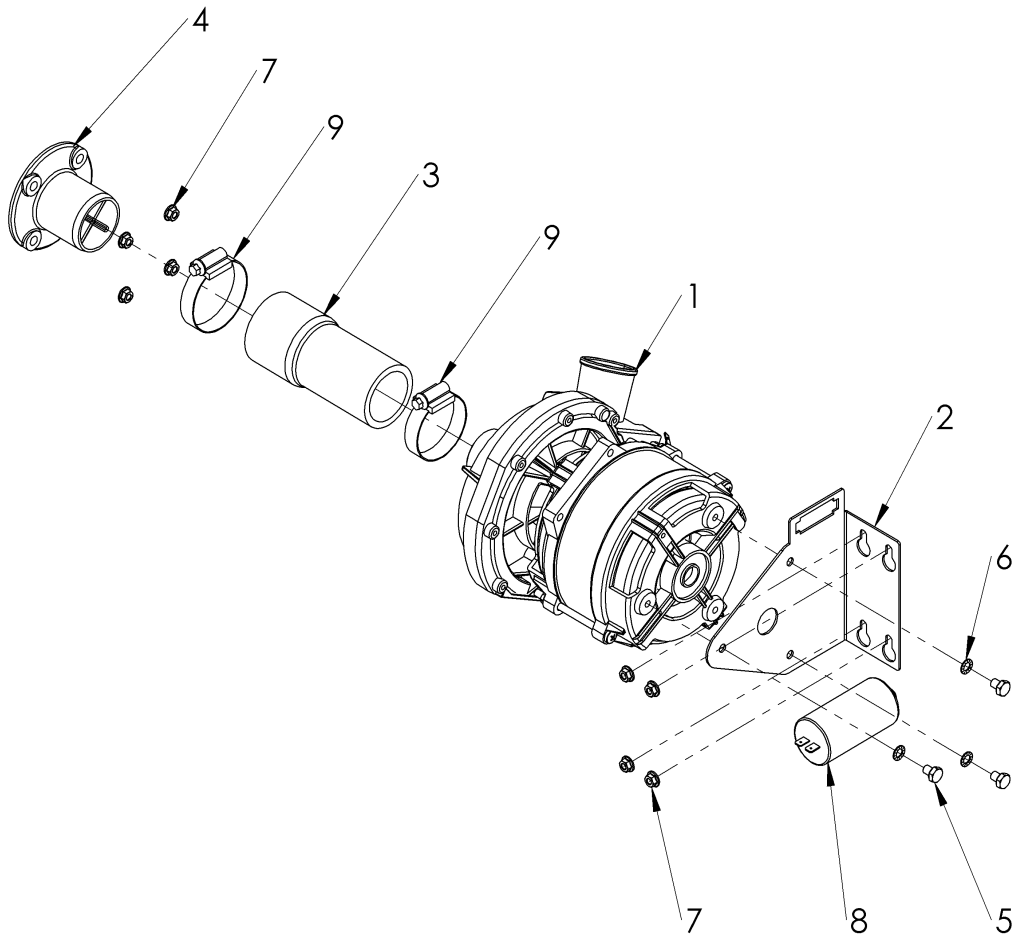


30015004-A

12. Wash and Rinse system – BOM

Item	Description	Part number	QTY.	Note
1	Wash Pump Assembly	30015003	1	
2	Wash Outlet Hose PT	30014826	1	
3	Centre boss assembly	30003284	1	
4	Hood top manifold assembly	30013520	1	
5	Jubilee clip - 40mm to 60mm	30001218	1	
6	Jubilee clip - 30mm to 45mm	30001115	2	
7	Jubilee Clip - 12mm to 22mm	30001088	2	
8	Rinse Outlet Hose PT	30014827	1	
9	Kit rotary arms washing	60003520	2	
10	Revolving rinse arm assembly - 500mm	60004062	2	

13. Wash pump assembly

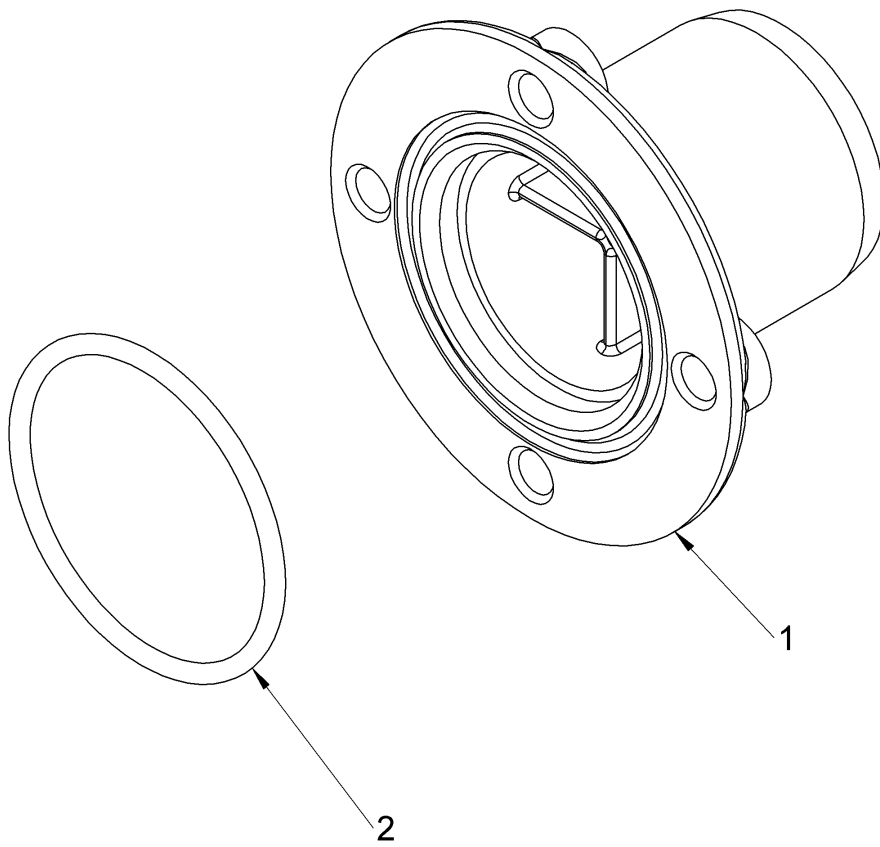


30015003-A

13. Wash pump assembly – BOM

Item	Description	Part number	QTY.	Note
1	Wash pump 0.58kW	30011817	1	
2	Wash Pump Bracket PT	30014752	1	
3	Wash Pump Inlet hose	30014820	1	
4	Wash boss assembly	30013519	1	
5	M6 x 8 hex head screw (ISO 4017)	30011209	3	
6	M6 Serrated washer	30007939	3	
7	M5 Flange nut (DIN 6923)	30001186	8	
8	12.5 μ F Capacitor	30011582	1	Includes washer & nut
9	Jubilee clip - 40mm to 60mm	30001218	2	

14. Wash Boss assembly (30013519)

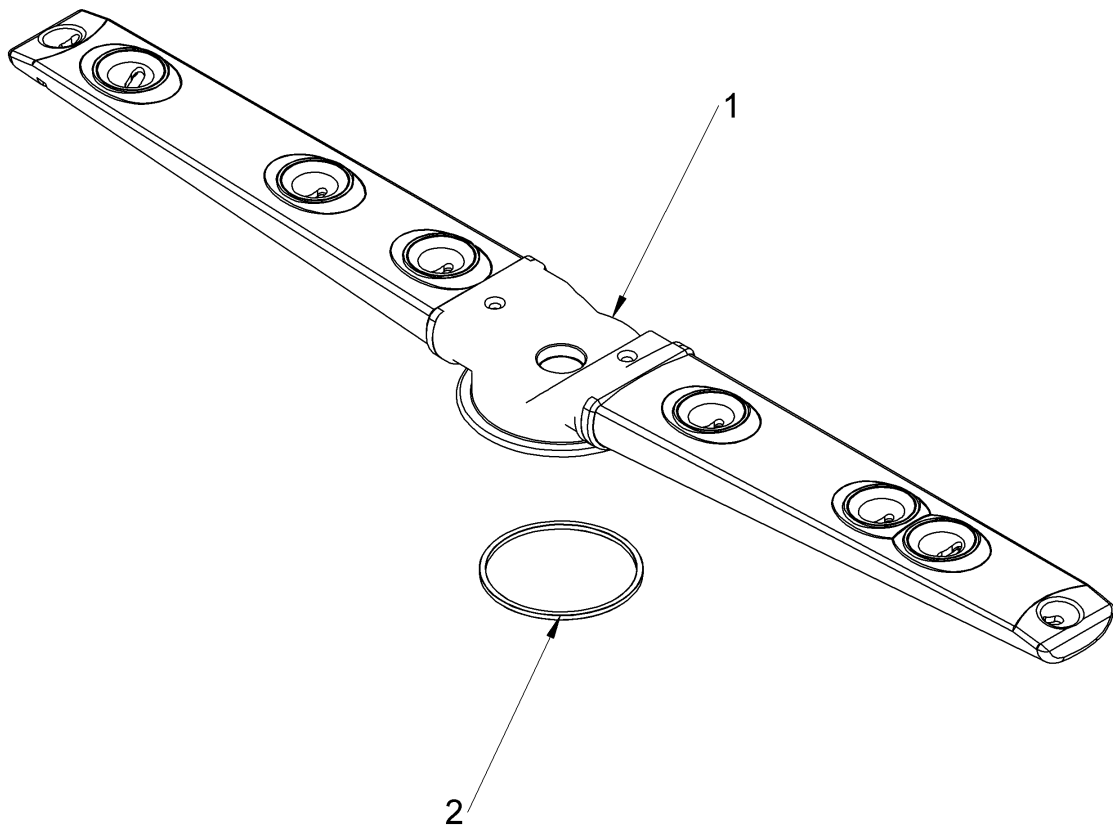


30013519-A

14. Wash boss assembly (30013519) - BOM

Item	Description	Part number	QTY.	Note
1	Wash outlet		1	
2	O-ring - Ø48 x Ø3	30000404	1	

15. Kit Rotary arms Washing (60003520)

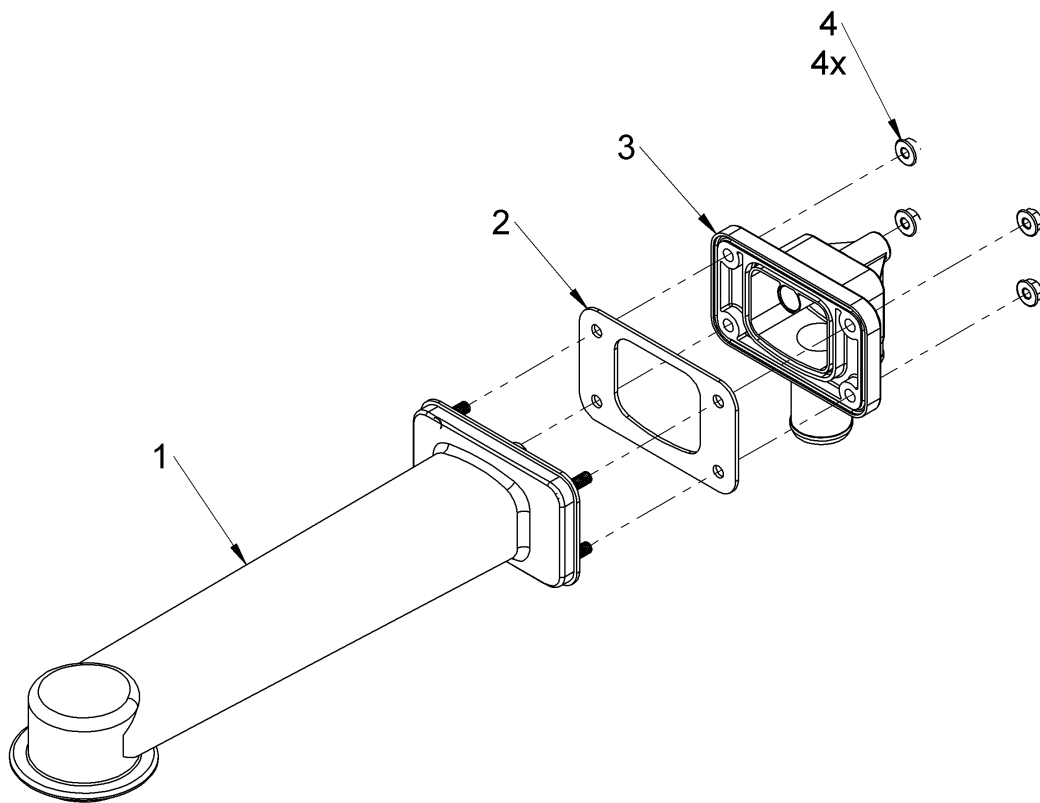


60003520-A

15. Kit Rotary arms Washing (60003520) – BOM

Item	Description	Part number	QTY.	Note
1	Wash Arm 500mm		1	Not available as a spare
2	Seal (turbo ring)	60003021	1	Only on Dishwasher

16. Top manifold assembly

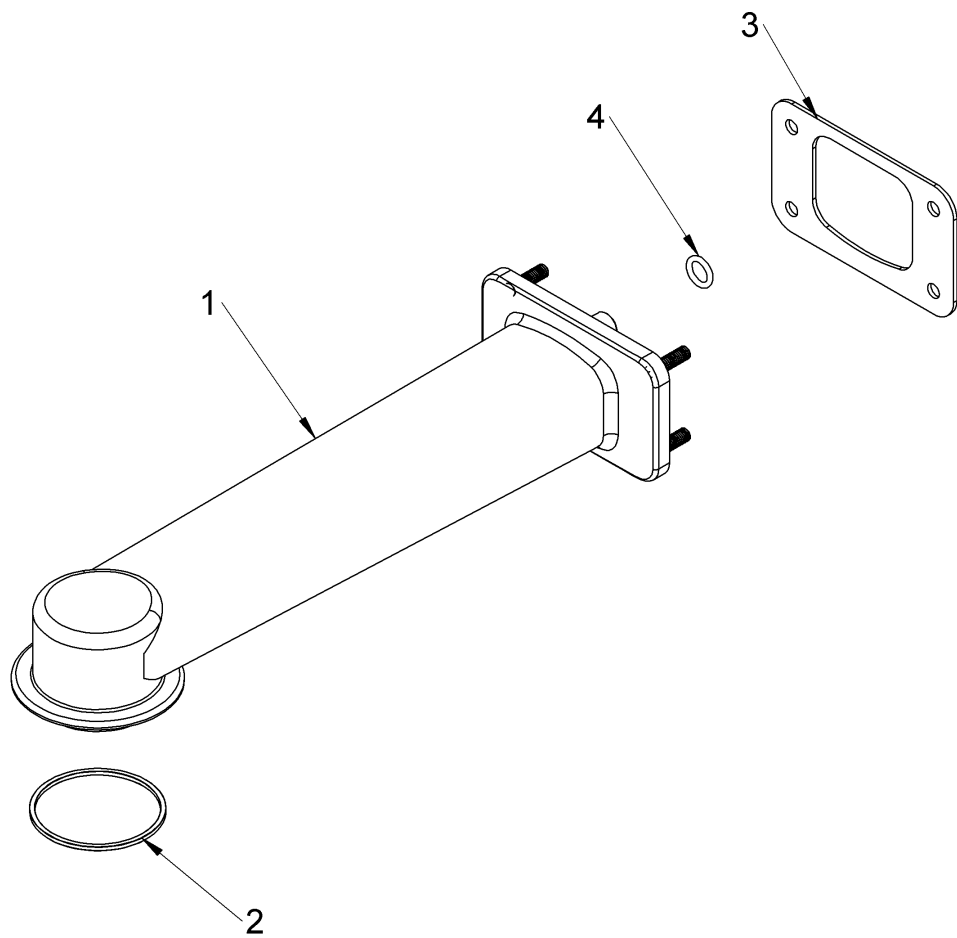


30013520-A

16. Top manifold assembly – BOM

Item	Description	Part number	QTY.	Note
1	Top Manifold	30013508	1	
2	Top wash seal	30001036	1	
3	Wash/Rinse manifold outer	30001035	1	
4	M6 Flange nut (DIN 6923)	30001848	4	

17. Top manifold

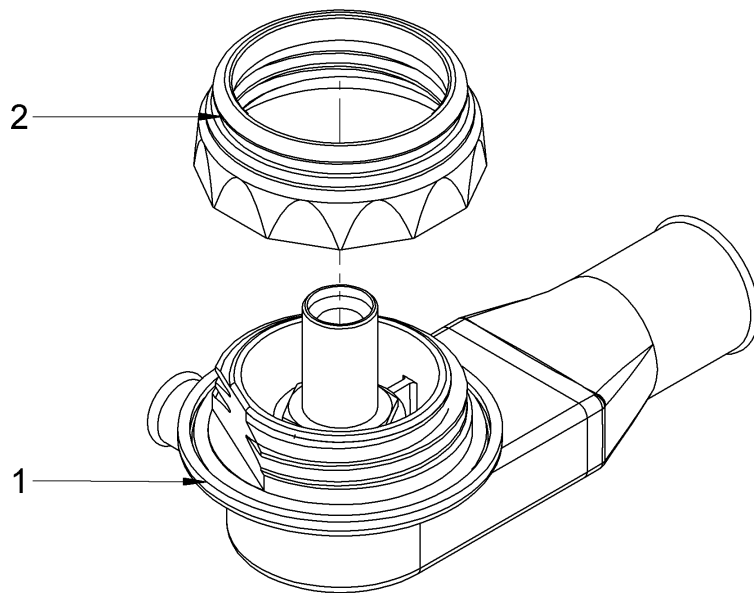


30013508-A

17. Top manifold – BOM

Item	Description	Part number	QTY.	Note
1	PT Top Manifold		1	
2	Seal ring	60003021	1	Only on Dishwasher
3	Top wash seal	30001036	1	
4	O ring - 2.5mm x 10mm	30000723	1	

18. Center boss assembly

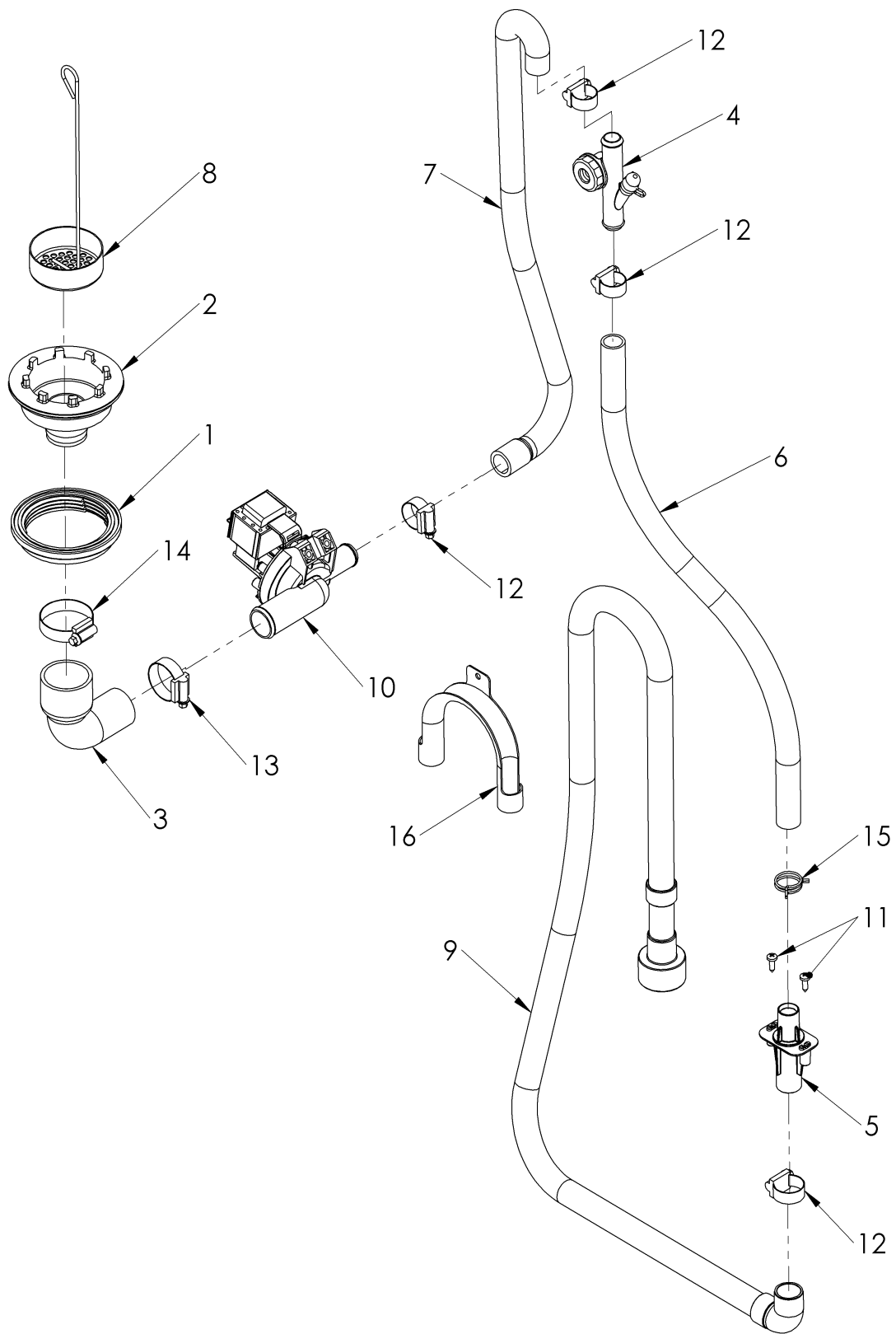


30003284-A

18. Center boss assembly – BOM

Item	Description	Part number	QTY.	Note
1	Centre boss assembly	30012323	1	
2	Lock nut	60003005	1	

19. Drain System

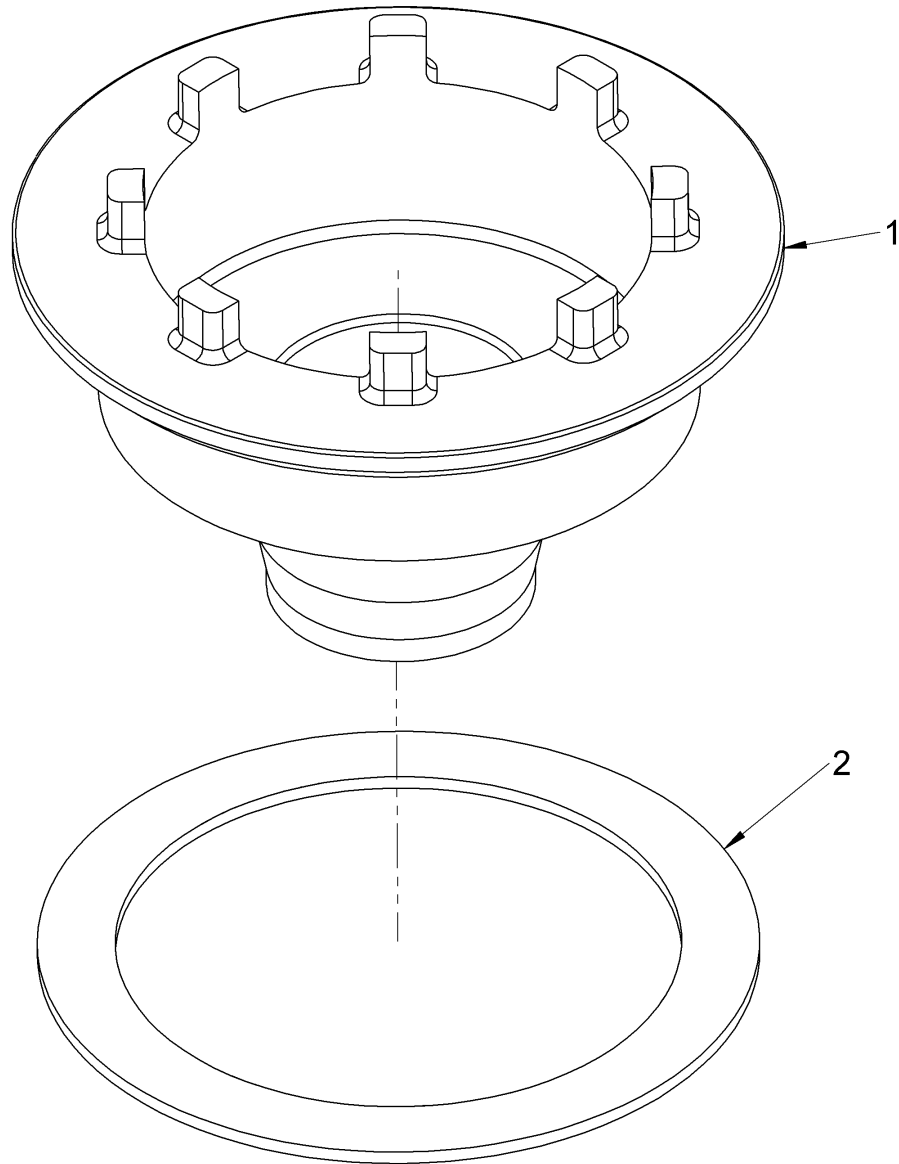


30015005-A

19. Drain System – BOM

Item	Description	Part number	QTY.	Note
1	Kit lock nut	61005268	1	
2	Kit sump drain	61006178	1	
3	Drain Pump inlet hose	30014821	1	
4	Kit drain air break	60003514	1	
5	Drain Connector	61006923	1	
6	Drain Anti-syphon outlet hose	30014822	1	
7	Drain pump outlet hose - ECO 1	30006073	1	
8	PT Secondary Metal Filter	65005555	1	
9	Drain Hose 2M	60003759	1	
10	Drain pump - Head 90° to flow	30011696	1	
11	M4x16 Self tapping screw	30014829	2	
12	Jubilee Clip - 20mm to 32mm	30001112	4	
13	Sp. Jubilee Clip - 25mm to 40mm	30013293	1	
14	Jubilee clip - 32mm to 50mm	30001114	1	
15	Wire Hose Clip (D24.2 x 2.2)	2802358	1	
16	Hook for drain hose	30006231	1	

20. Kit Sump Drain

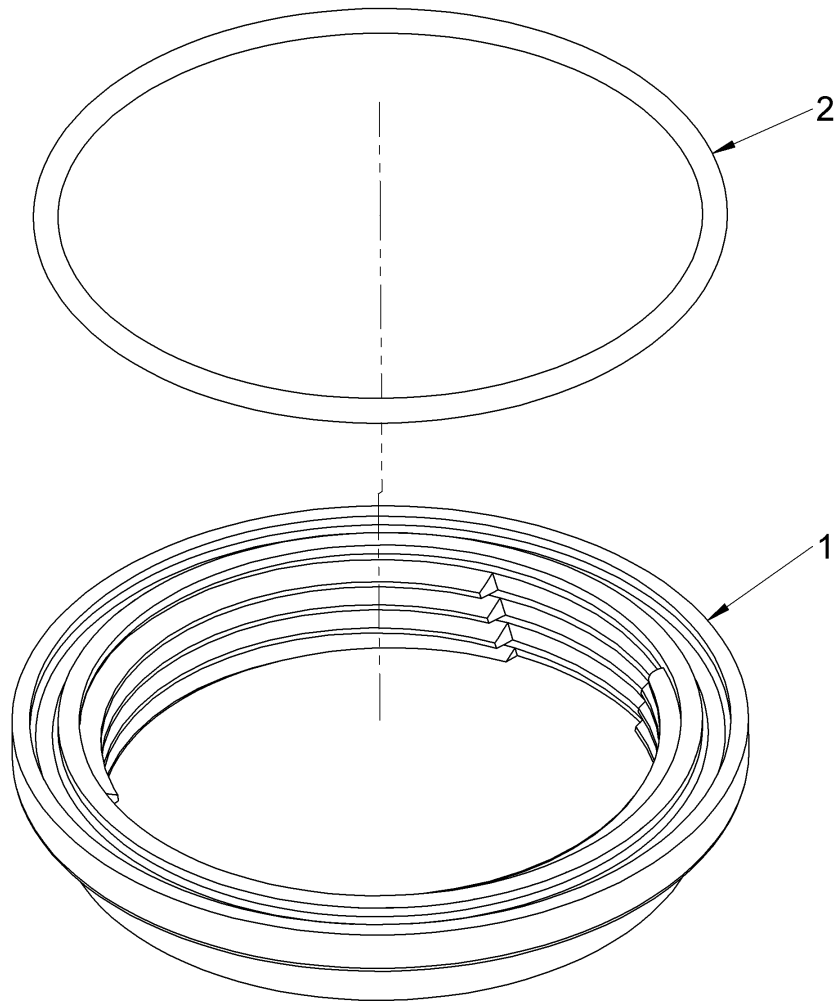


61006178-A

20. Kit Sump Drain – BOM

Item	Description	Part number	QTY.	Note
1	Drain boss Inner		1	
2	Drain seal	2701007	1	

21. Kit Lock Nut

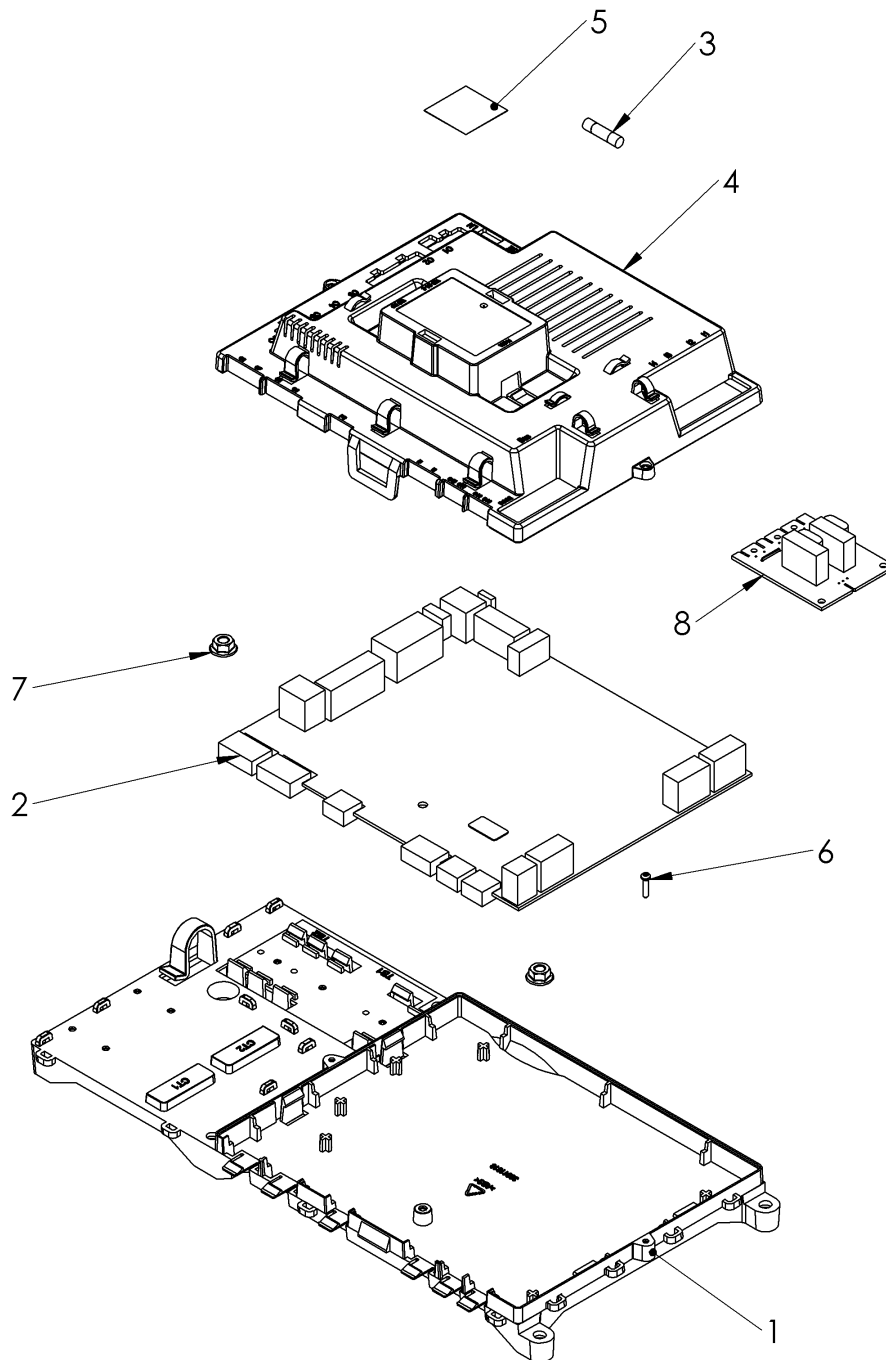


61005268-A

21. Kit Lock Nut - BOM

Item	Description	Part number	QTY.	Note
1	Lock nut		1	
2	O-ring - Ø91 x Ø3.5	2707075	1	

22. Control Unit WS

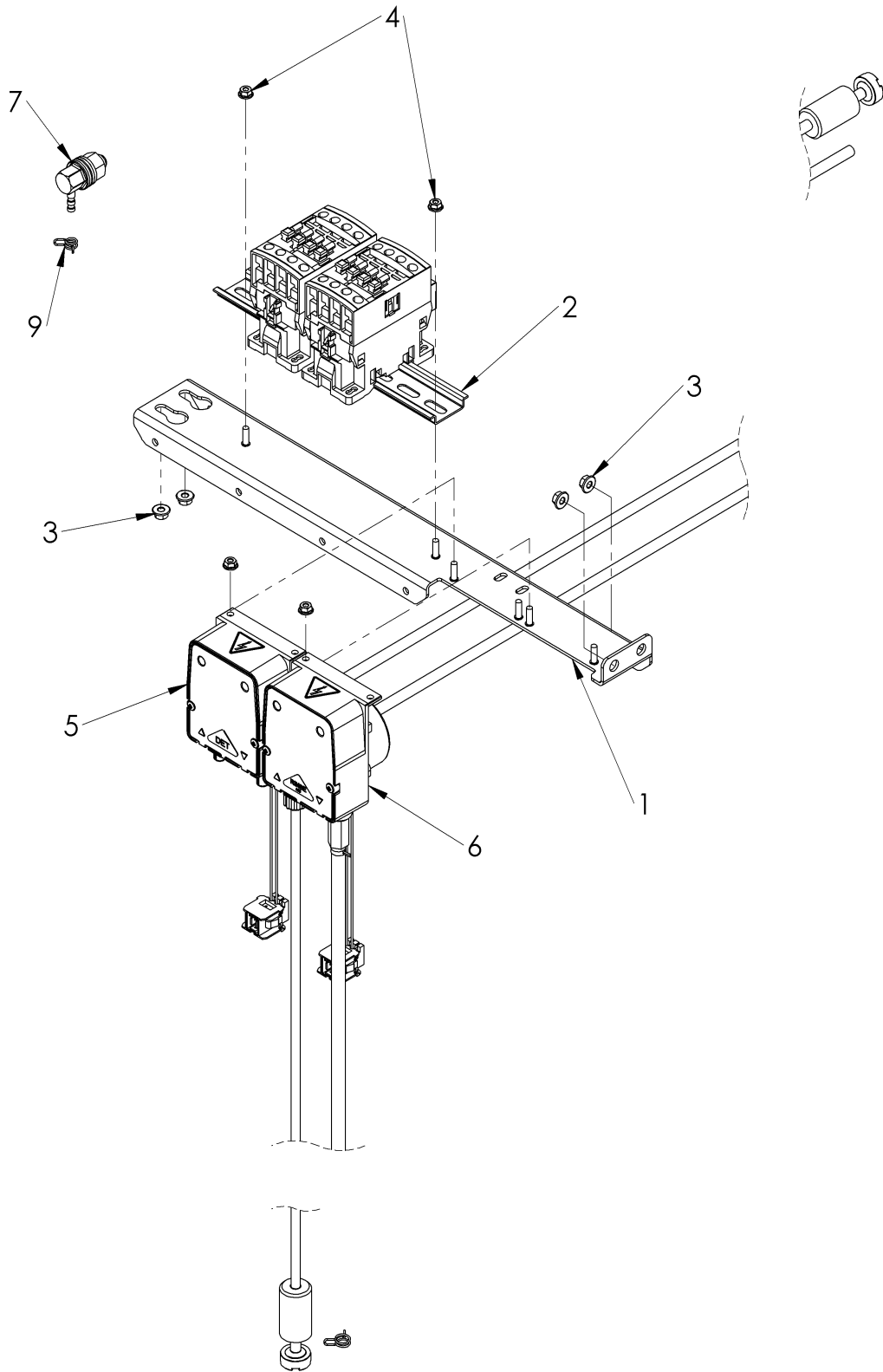


30015019-A

22. Control Unit WS-BOM

Item	Description	Part number	QTY.	Note
1	Control board enclosure base	30011618	1	
2	ZSE mini full assembly	30012356	1	
3	4 Amp Fine Fuse ZSE	3111123	1	
4	Control board enclosure cover	30011619	1	
5	Live Warning Label		1	
6	2.5x10mm PT screw	30011824	2	
7	M5 Flange nut (DIN 6923)	30001186	2	
8	Water softener board	30011823	1	

23. Centre Rail Assembly STD

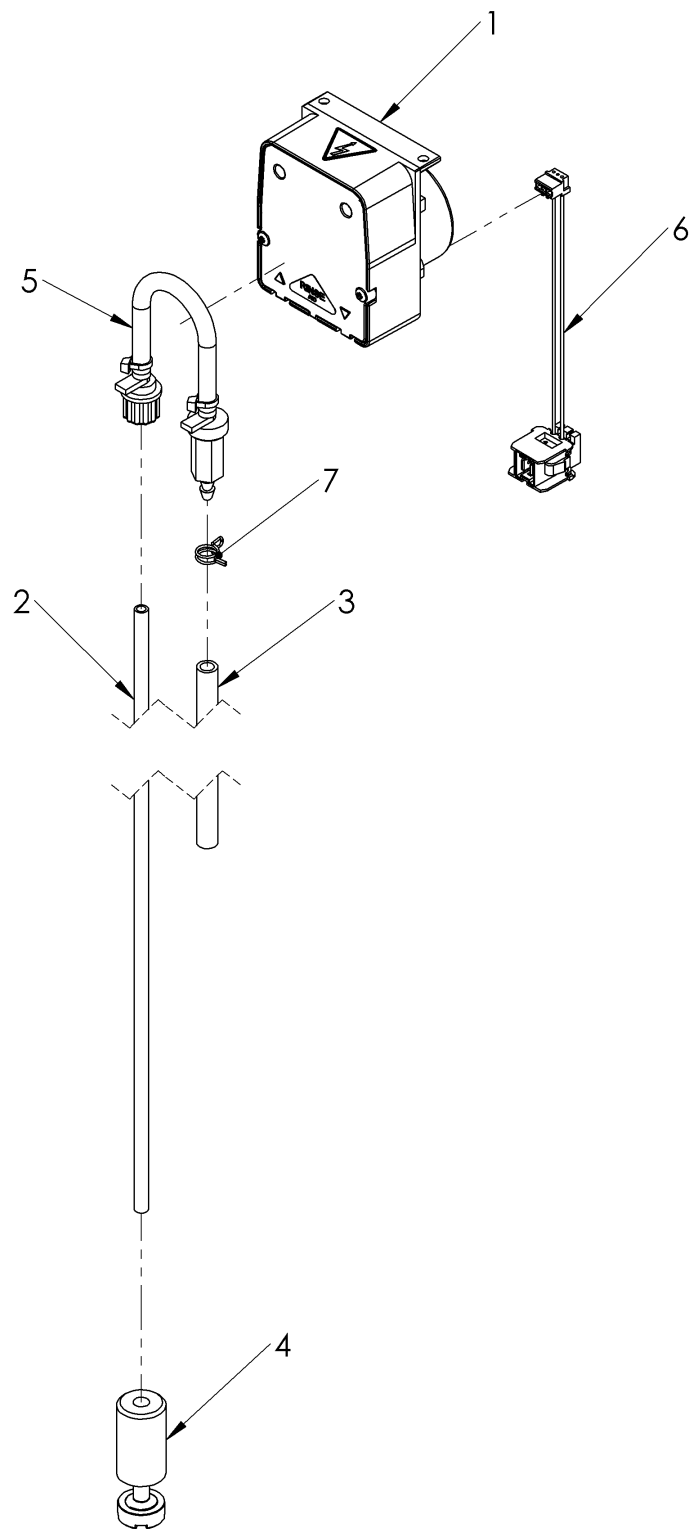


30015023-A

23. Centre Rail Assembly STD-BOM

Item	Description	Part number	QTY.	Note
1	Centre Bracket assembly		1	
2	AS Electrical		1	
3	M5 Flange nut (DIN 6923)	30001186	4	
4	M4 Flange nut (DIN 6923)	30006237	4	
5	Sales Kit – Detergent Pump	30015060	1	
6	Sales Kit – Rinse Aid Pump	30015061	1	
7	Detergent inlet fitting	30011822	1	
8	Spring clip - Ø8.8mm to Ø9.3mm	30011994	1	
9	Spring clip - Ø7mm to Ø7.5mm	30001789	1	

24. Rinse aid pump assembly (30015061)

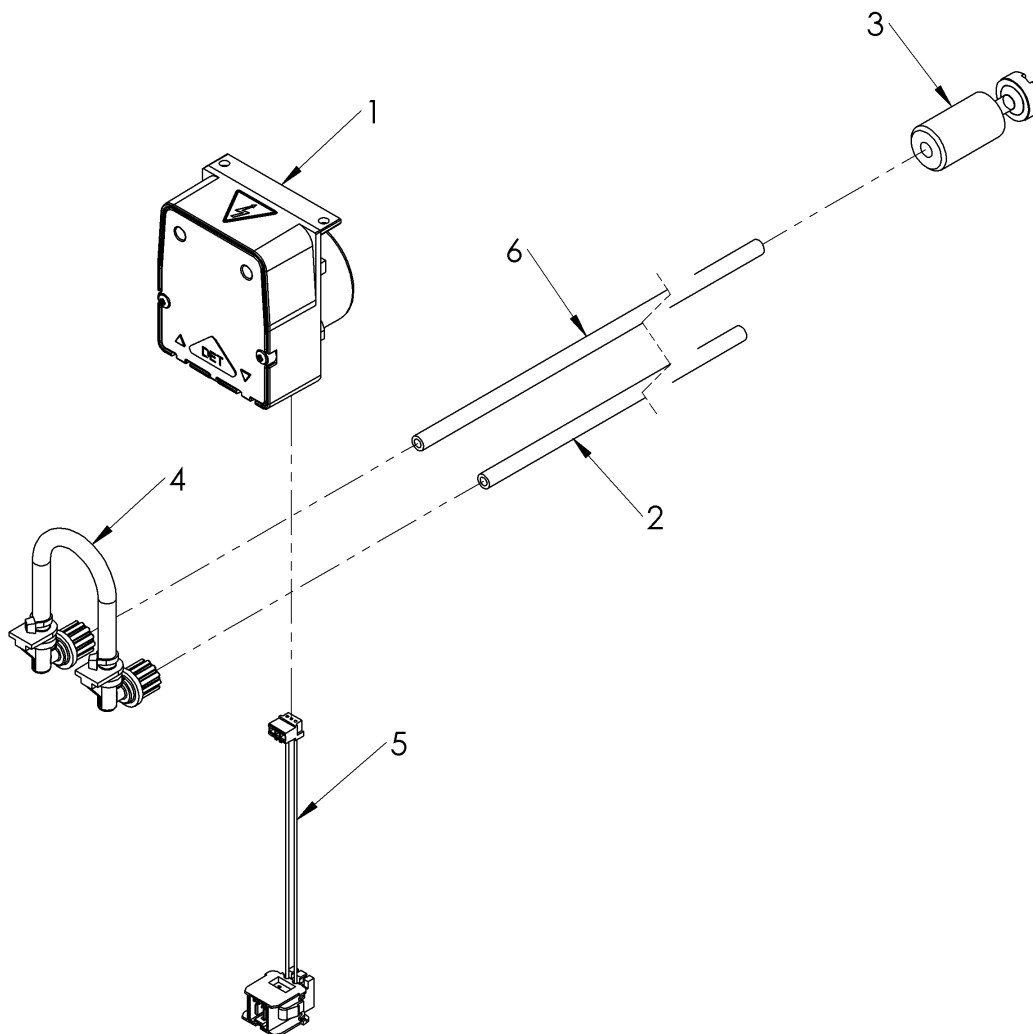


30015061-B

24. Rinse aid pump assembly – BOM

Item	Description	Part number	QTY.	Note
1	Rinse aid pump housing		1	Not available as a spare
2	Rinse aid inlet tube	30008385	1	
3	Rinse aid outlet tube	30012414	1	
4	Bottle weight kit	30012370	1	
5	Rinse aid peristaltic tube assembly	30012415	1	
6	Rinse Aid Connection Wire		1	Not available as a spare
7	Spring clip - Ø8.8mm to Ø9.3mm	30011994	1	

25. Detergent pump assembly (30015060)

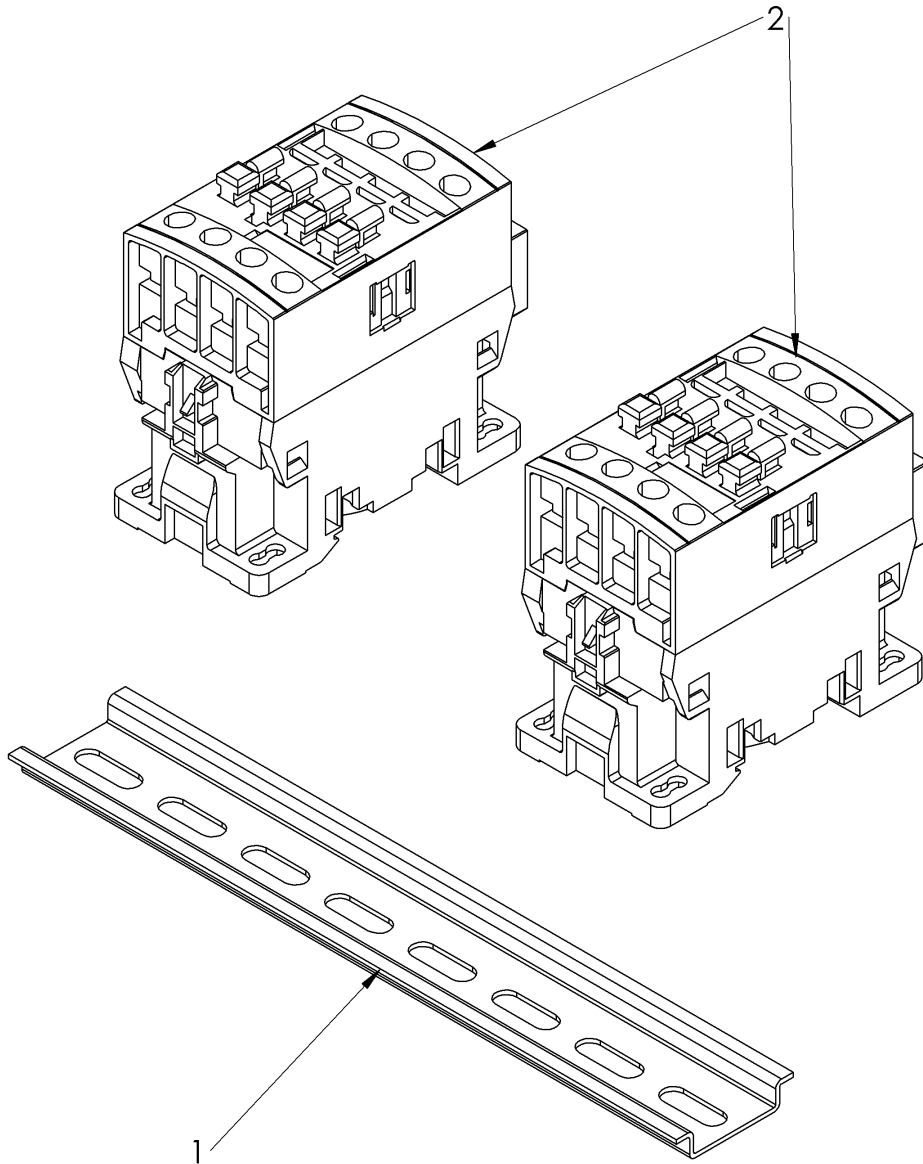


30015060-A

25. Detergent pump assembly – BOM

Item	Description	Part number	QTY.	Note
1	Detergent pump housing		1	Not available as a spare
2	Detergent outlet tube	30012406	1	
3	Bottle weight kit	30012370	1	
4	Detergent hose	30000996	1	
5	DET Connection Wire		1	Not available as a spare
6	Detergent inlet tube	30008386	1	

26. Electrical Assembly AS

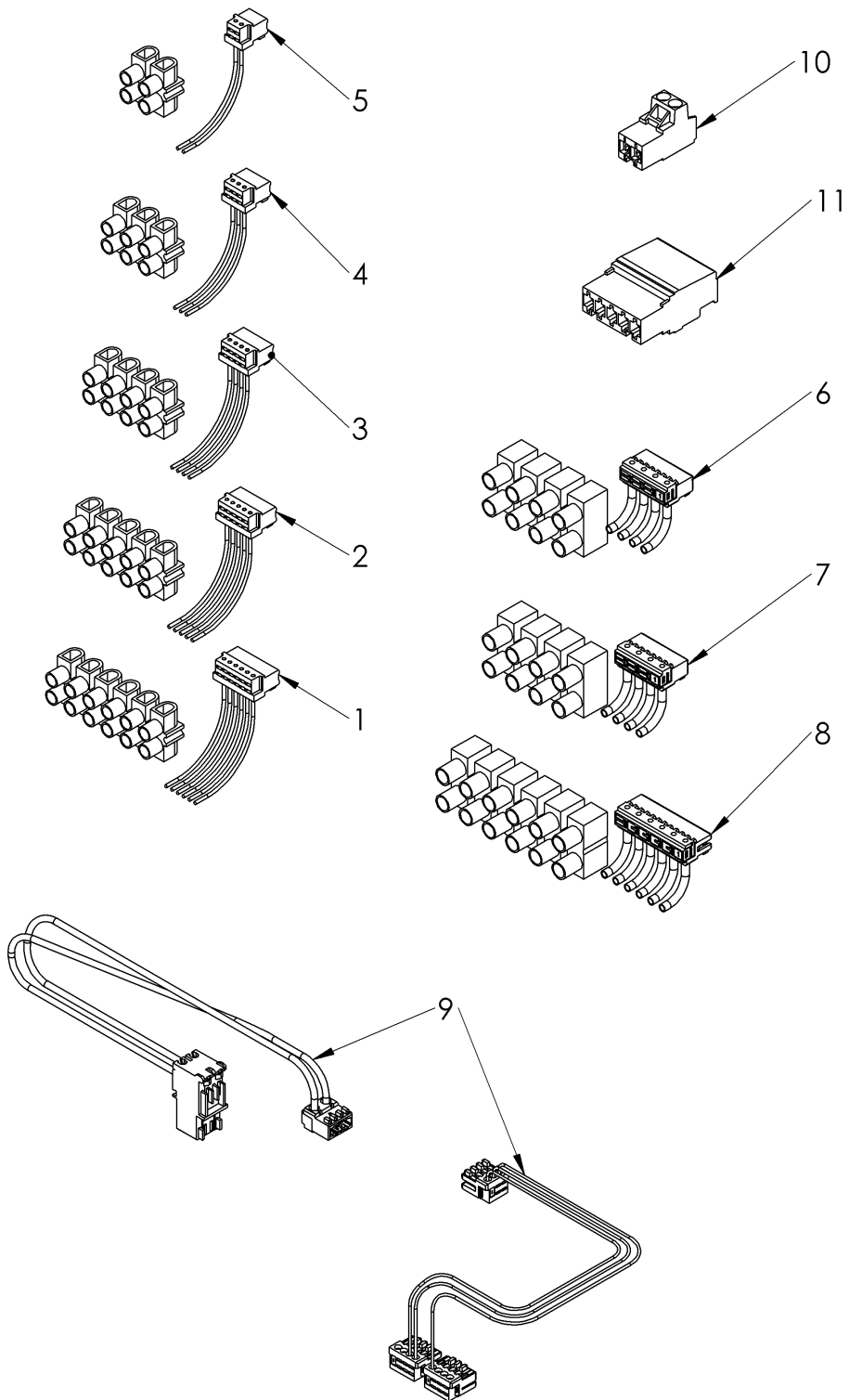


30015016-A

26. Electrical assembly AS – BOM

Item	Description	Part number	QTY.	Note
1	Din Rail - 200mm Slotted		1	
2	Contactor AF16	30000861	2	

27. Cable Accessories

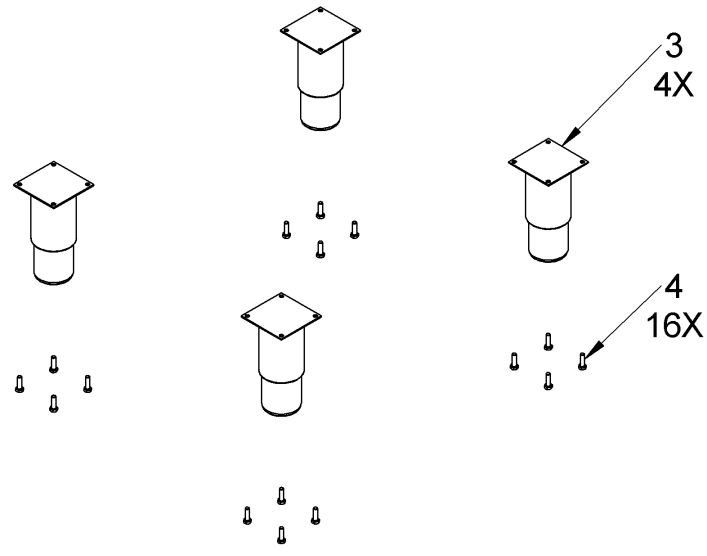
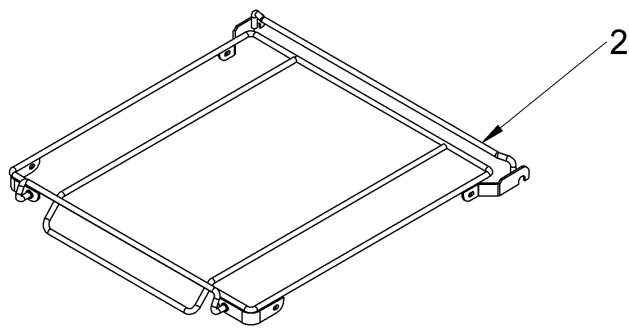
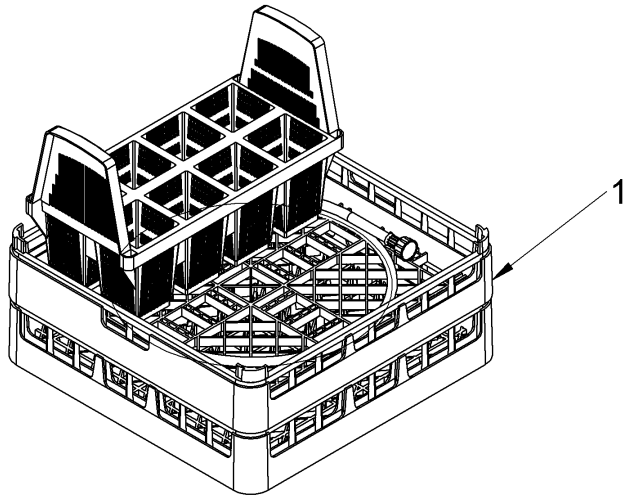


30014265-A

27. Cable Accessories – BOM

Item	Description	Part number	QTY.	Note
1	KIT MACRO-MODULE PLUG SIZE 2,5 6-POLE	30002484	1	
2	KIT MACRO-MODULE PLUG SIZE 2,5 5-POLE	30002483	1	
3	KIT MACRO-MODULE PLUG SIZE 2,5 4-POLE	30002482	1	
4	KIT MACRO-MODULE PLUG SIZE 2,5 3-POLE	30000198	1	
5	KIT MACRO-MODULE PLUG SIZE 2,5 2-POLE	30000197	1	
6	Module Plug (Size 5,0 / 4Pole) Type A	30014137	1	
7	Module Plug (Size 5,0 / 4Pole) Type B	30014138	1	
8	Module Plug (Size 5,0 / 6Pole)	30014140	1	
9	ZSE Water Softener Harness Kit	30014124	1	
10	MACRO-MODULE PLUG5, 5- POLE	3112091	1	
11	Marco Module Plug5, 5Pole	30002002	1	
12	6.0kW Element Wire Kit	30013685	1	Not shown
13	2.6kW Element Wire Kit	30013686	1	Not shown

28. Accessories



30013540-A

28. Accessories – BOM

Item	Description	Part number	QTY.	Note
1	500mm Dishwasher accessories	30012340	1	Not shown
2	Basket Frame	30001200	1	
3	Adjuster foot	30001222	4	
4	M6 x 20 hex head screw (ISO 4017)	30001080	16	

29. Dishwasher accessories

Item	Description	Part number	QTY.	Note
1	Water supply hose	30001162	1	
2	500mm ² open basket	30001197	1	
3	500mm ² dish basket	30001198	1	
4	Large cutlery basket	3602258	1	

30. WS accessories kit

Item	Description	Part number	QTY.	Note
1	Salt bag 2kg	20003002	1	
2	Salt funnel	3502013	1	

31. Mains cable

Item	Description	Part number	QTY.	Note
1	30A 1Phase Mains Cable Kit	30013553	1	
2	3 Phase Mains Cable Kit - PT	30014548	1	
3	3 Phase 5G4 Mains Cable Kit - PT	30014549	1	
4	4G2.5 (No Neutral) Mains Cable Kit - PT	30014550	1	

