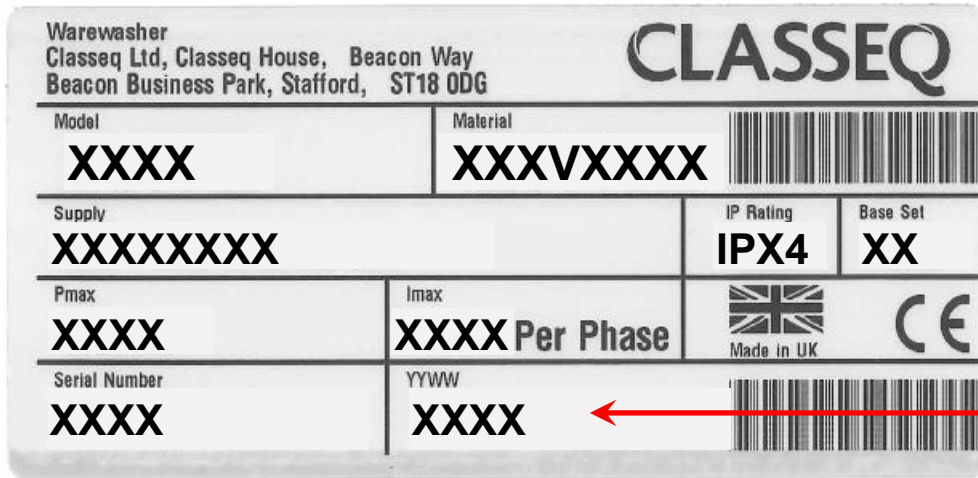


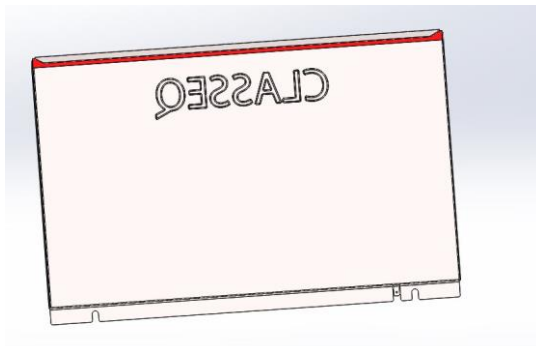
As of Wk 06 Classeq has started to produce the following changes on the under counter & pass through range of machines.



This change only affects machines with a serial numbers 400**** and ending in week code 1906

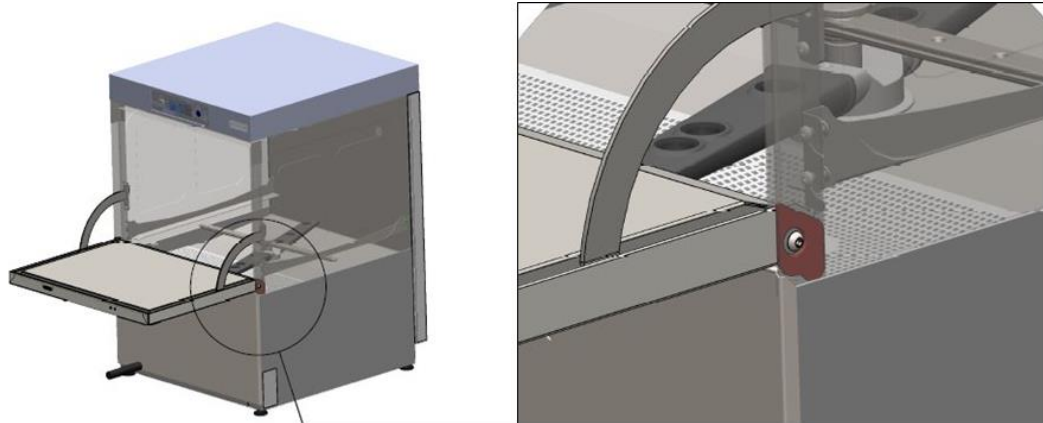
1) Under counter water management

- a. Lower front panel seal fitted to all machines



350mm Machine– 30011634
400mm Machine– 30011635
500mm Machine– 30011418

- b. Metal brackets fitted to all door hinges 30006015



- c. New inner door profile to be phased in on 400mm & 500mm machines
 - Increased channel width around door
- d. New soft start profile – See software changes
 - More gradual profile to full speed

2) Software changes

- a. UC – From serial number 40049921
- b. PT – From serial number 40049919
 - The display will power up briefly when power is applied to the machine to aid diagnostics of the main and display board.
 - Key errors will now be displayed on the display.
 1. E01, E03, E12, E13, E16, E18, E19
 2. Details in the engineers handbook
 - Slower scrolling of statistics in service menu
 - Rinse aid default reduced to 0.5 ml/L
 - Improved initial heat transfer fill
 - New soft start profile on under counter machines
 - Water softener flush through time/volume increased