

## ☐ A812 Mobile Stand

Item #	Part Number	Description
1	04-055-002	Screw, Socket Head, 5/16-18 X.375
2	10-027-001	Bracket
6	10-030-001	Post 1.0
8	10-028-001	Insert for 1.0 Post
9	04-053-001	Base
10	10-029-001	Plate Bottom for 1.0 Post
11	04-055-001	Screw, Socket Head, 5/16-18 X 1.5
12	05-015-001	Caster without Brake
13	05-014-001	Caster 50mm with Brake

## ☐ A812C Mobile Stand

Item #	Part Number	Description
1	04-055-002	Screw, Socket Head, 5/16-18 X.375
2	10-027-001	Bracket
3	10-031-001	Post Extension 1.0 X 12
4	04-054-001	Set Screw 5/16 X .875
5	21-057-001	Tray Weldment
6	10-030-001	Post 1.0
7	10-193-001	Lower Shelf
8	10-028-001	Insert for 1.0 Post
9	04-053-001	Base
10	10-029-001	Plate Bottom for 1.0 Post
11	04-055-001	Screw, Socket Head, 5/16-18 X 1.5
12	05-015-001	Caster without Brake
13	05-014-001	Caster 50mm with Brake
14	05-144-001	Leg Support
15	10-068-001	Bracket
16	5124632017	6-32 x 7/8 Pan Head
17	04-008-503	Pan Head Phil. 1/4-20 x .25 SS

## ☐ Accessories (Optional)

Item #	Part #	Description
7	A812-BT	Bottom Tray (Lower Shelf)
5	A808-T *	Top Tray
3	A812-E	Post Extension 12"

**NOTE:** Part # A808-T Top Tray has a **maximum 3.5 lb.** weight restriction.

**Assembly Instructions** The mobile stand is pre-assembled in order to make the final assembly as easy as possible.

### A812 Mobile Stand

(Hex Key is included)

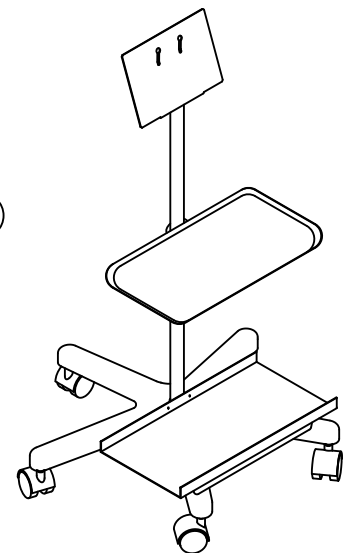
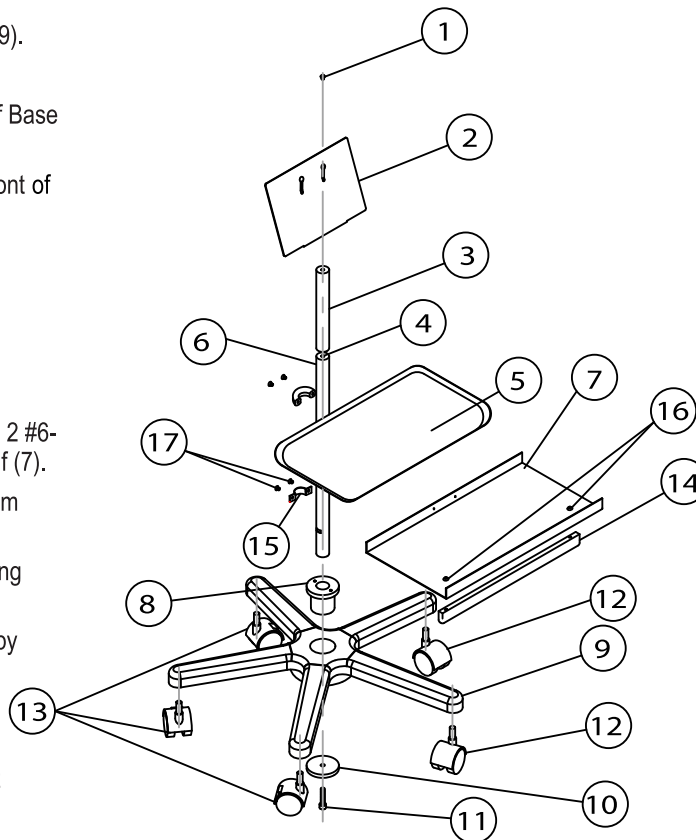
- Install Insert (8) into center of Base (9).
- Place Post (6) into Insert (8).
- Fasten Bottom Plate (10) to bottom of Base with screw.
- Casters with brakes must be at the front of the Mobile Stand.

### A812-C Mobile Stand


(Hex key is included)

A Philips screwdriver is needed.

- Attach Leg Support (14) with using to 2 #6-32 Pan Head screws (16) to Lower Shelf (7).
- Attach Post (6) to Base (9) with Bottom Plate (10) and screw (11).
- Attach Lower Shelf (7) to Post (6) using bracket (15) and screws (17).
- Attach Post Extension (3) to Post (6) by turning clockwise.
- Using screw (11), connect above with Base and plate.
- Install Top Tray (5) on Post (6) or Post Extension (3).



# Bovie®

 Bovie Medical Corporation  
5115 Ulmerton Road  
Clearwater, Florida 33760 USA



MC-15-077-001 Rev. 7  
Effective Date: 2018-06-11