



Scan the code above
to learn more about
our Urology portfolio.

Urology Portfolio



symmetry surgical™

Urology



Introduction	URO-2
Catheters & Guides	URO-3
Clamps	URO-4
Forceps, Retractors & Urethrotome Set	URO-5
Sounds	URO-6

Questions? Contact us at customerservice@symmetrysurgical.com
or learn more at symmetrysurgical.com



The Surgical Instrument Desk Reference

How to Use Our Catalog

The Symmetry Surgical catalog is designed with you in mind, to be your trusted resource for surgical instrumentation. We took great care in creating an easy-to-use, robust catalog and we think you'll be pleased with the design as you become more familiar with our broad portfolio.

Layout

The catalog is organized by surgical specialty *and* product function.

And we know that it is difficult to pick up an instrument and know what specialty it's listed in. To make your job easier, we've sorted the instruments in our portfolio by surgical function, too, including Energy, Laparoscopic, Retractors and Sterilization Solutions.

U.S. Customer Service

Your Symmetry Surgical Customer Service team wants to make ordering surgical instruments the easiest part of your day. We accept orders via phone, fax, email, our website, Global Healthcare Exchange (GHX) and through the mail.

PHONE

1.800.251.3000

(Available Monday through Friday, 8:30 AM–6:30 PM EST)

FAX

1.800.342.3272

EMAIL

customerservice@symmetrysurgical.com

ONLINE

symmetrysurgical.com

MAILING ADDRESS

Symmetry Surgical
Attn: Customer Service
3034 Owen Drive
Antioch, TN 37013

The Surgical Instrument Desk Reference

International Customer Service

PHONE

Symmetry Surgical Switzerland GmbH
+41 (0) 52 557 59 00
(Available Monday through Friday, 7:00-16:00 GMT)

Symmetry Surgical, Inc., USA
1.615.964.5672
(Available Monday through Friday, 8:30 AM–6:30 PM EST)

FAX

Symmetry Surgical Switzerland GmbH
+41 (0) 52 557 59 99

EMAIL

customerservice@symmetrysurgical.com
internationalorders@symmetrysurgical.com

ONLINE

symmetrysurgical.com

MAILING ADDRESS

Symmetry Surgical Switzerland GmbH
Bühlstrasse 27
CH-8200 Schaffhausen
Switzerland

Symmetry Surgical, Inc.
3034 Owen Drive
Antioch, TN 37013

INTERNATIONAL PAYMENT TERMS/RETURN GOODS POLICY/INSTRUMENT REPAIR & RESTORE PROGRAM/LITERATURE REQUESTS

Please contact your local distributor. Locate a local distributor contact, International Customer Service at +41 (0) 52 557 59 00 or 1.615.964.5672 (US).

Cardiovascular/Thoracic

Energy

Ear, Nose & Throat

General

Laparoscopic

Neurology

Obesity

OB/GYN

Ophthalmology

Orthopedics & Arthroscopy

Pediatrics

Rectal

Retractors

Spine

Urology

Sterilization Solutions

Alphabetical & Numeric Indexes

Introduction

Customer Service Hours of Operation

Symmetry Surgical's Customer Service team is happy to provide extended hours to support your organization's use of our surgical instruments.

Symmetry Surgical, Inc., USA

800.251.3000

Monday through Friday, from 8:30am to 6:30pm EST
customerservice@symmetrysurgical.com

Symmetry Surgical Switzerland GmbH

+41 (0) 52 557 59 00

Monday through Friday, 7:00 - 16:00 GMT
internationalorders@symmetrysurgical.com



The Making of a Surgical Instrument

Symmetry Surgical has a dedicated facility and team in Tuttlingen, Germany, the global center for high-quality surgical instrument manufacturers. The instruments are manufactured in conformance with proven processes that combine the latest technologies with the time-honored traditions that are the foundation of the craft of instrument manufacturing.

Well-trained and experienced surgical instrument makers produce the instruments by hand. Masters in their profession, instrument makers fine-tune each instrument before it is shipped to our inspection and receiving site, where each receives a thorough review for quality and fine craftsmanship.



FlashPak®

Symmetry Surgical's Flashpak® is the first name in immediate-use sterilization.

- Hospital-proven mobile sterile field
- Closed system
- Fully automatic operation
- Meets all standards for immediate-use sterilization
- Differentiated appearance meets AORN and AAMI standards



Catheters & Guides



51-7116

Female Catheter

CODE	DESCRIPTION	LENGTH	CODE	DESCRIPTION	LENGTH
51-7110	10 French	6 1/8 in 15.5 cm	51-7114	14 French	6 1/8 in 15.5 cm
51-7112	12 French	6 1/8 in 15.5 cm	51-7116	16 French	6 1/8 in 15.5 cm



29-3312

Walther Female Dilator-Catheter

CODE	DESCRIPTION	LENGTH	CODE	DESCRIPTION	LENGTH
29-3312	12 French	5 1/4 in 13.5 cm	29-3326	26 French	5 1/4 in 13.5 cm
29-3314	14 French	5 1/4 in 13.5 cm	29-3328	28 French	5 1/4 in 13.5 cm
29-3316	16 French	5 1/4 in 13.5 cm	29-3330	30 French	5 1/4 in 13.5 cm
29-3318	18 French	5 1/4 in 13.5 cm	29-3332	32 French	5 1/4 in 13.5 cm
29-3320	20 French	5 1/4 in 13.5 cm	29-3334	34 French	5 1/4 in 13.5 cm
29-3322	22 French	5 1/4 in 13.5 cm	29-3336	36 French	5 1/4 in 13.5 cm
29-3324	24 French	5 1/4 in 13.5 cm	29-3338	38 French	5 1/4 in 13.5 cm

Guyon Catheter Guide

CODE	DESCRIPTION
51-7530	9 French, Curved



Van Buren Catheter Guide

CODE	DESCRIPTION
51-7510	8 French, Straight



Clamps

Herrick Kidney Clamp

Double-Angled Jaws, Longitudinal Serrations

CODE	DESCRIPTION	LENGTH
51-5735	Kidney Clamp	9 in 23 cm



McDougal Prostatectomy Clamp

CODE	DESCRIPTION	LENGTH
51-5705	Left-Angled	10 in 25 cm
51-5706	Right-Angled	10 in 25 cm



51-5706

Wertheim-Cullen Kidney Clamp

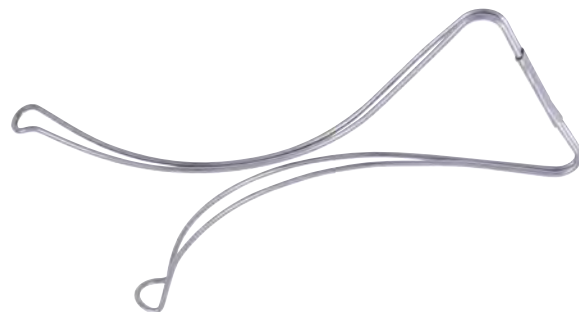
Right-Angled Jaws, Longitudinal Serrations

CODE	DESCRIPTION	LENGTH
51-5775	Kidney Clamp	8½ in 21.5 cm

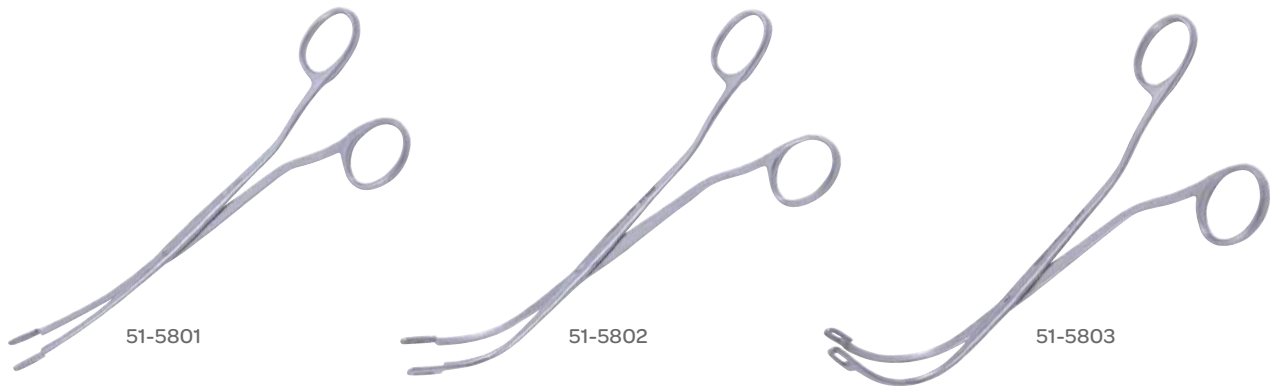


Zipser Penile Meatus Clamp

CODE	DESCRIPTION
51-9777	Penile Meatus Clamp



Forceps, Retractors & Urethrotome Sets



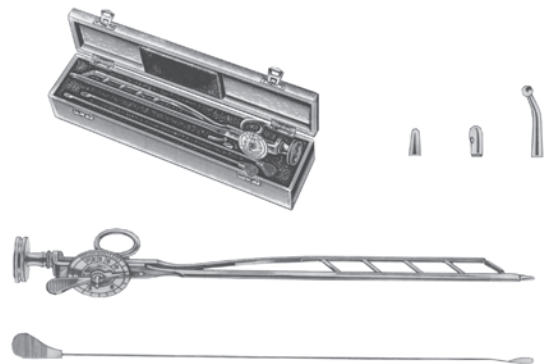
Randall Kidney Stone Forceps

CODE	DESCRIPTION	LENGTH	CODE	DESCRIPTION	LENGTH
51-5801	#1, Quarter Curve	9 in 23 cm	51-5803	#3, Three-Quarter Curve	9 in 23 cm
51-5802	#2, Half Curve	9 in 23 cm	51-5804	#4, Full Curve	9 in 23 cm



Gilvernet Renal Retractor

CODE	DESCRIPTION	LENGTH	CODE	DESCRIPTION	LENGTH
5150-A	9.0 mm	11¼ in 28.5 cm	5150-C	15 mm	11¼ in 28.5 cm
5150-B	11 mm	11¼ in 28.5 cm	5150-D	18 mm	11¼ in 28.5 cm



Otis Urethrotome Set, Straight

CODE	DESCRIPTION	CODE	DESCRIPTION
51-7902	Dilator Set	51-7905	Dilator Only
		51-7910	Blade Only

Sounds



51-7008

Lefort Urethral Sound

CODE	DESCRIPTION	LENGTH	CODE	DESCRIPTION	LENGTH
51-7008	8 French	11 in 28 cm	51-7020	20 French	11 in 28 cm
51-7010	10 French	11 in 28 cm	51-7022	22 French	11 in 28 cm
51-7012	12 French	11 in 28 cm	51-7024	24 French	11 in 28 cm
51-7014	14 French	11 in 28 cm	51-7026	26 French	11 in 28 cm
51-7016	16 French	11 in 28 cm	51-7028	28 French	11 in 28 cm
51-7018	18 French	11 in 28 cm	51-7030	30 French	11 in 28 cm



51-6808

McCrea Infant Urethral Sound, Curved

Plain Tip Also Used as Female Sounds

CODE	DESCRIPTION	LENGTH	CODE	DESCRIPTION	LENGTH
51-6808	8 French	7¼ in 18.5 cm	51-6824	24 French	7¼ in 18.5 cm
51-6810	10 French	7¼ in 18.5 cm	51-6826	26 French	7¼ in 18.5 cm
51-6812	12 French	7¼ in 18.5 cm	51-6828	28 French	7¼ in 18.5 cm
51-6814	14 French	7¼ in 18.5 cm	51-6830	30 French	7¼ in 18.5 cm
51-6816	16 French	7¼ in 18.5 cm	51-6832	32 French	7¼ in 18.5 cm
51-6818	18 French	7¼ in 18.5 cm	51-6834	34 French	7¼ in 18.5 cm
51-6820	20 French	7¼ in 18.5 cm	51-6836	36 French	7¼ in 18.5 cm
51-6822	22 French	7¼ in 18.5 cm			



51-6308

Van Buren Urethral Sound, Curved

CODE	DESCRIPTION	LENGTH	CODE	DESCRIPTION	LENGTH
51-6308	8 French	10¾ in 27 cm	51-6324	24 French	10¾ in 27 cm
51-6310	10 French	10¾ in 27 cm	51-6326	26 French	10¾ in 27 cm
51-6312	12 French	10¾ in 27 cm	51-6328	28 French	10¾ in 27 cm
51-6314	14 French	10¾ in 27 cm	51-6330	30 French	10¾ in 27 cm
51-6316	16 French	10¾ in 27 cm	51-6332	32 French	10¾ in 27 cm
51-6318	18 French	10¾ in 27 cm	51-6334	34 French	10¾ in 27 cm
51-6320	20 French	10¾ in 27 cm	51-6336	36 French	10¾ in 27 cm
51-6322	22 French	10¾ in 27 cm			

Sounds



51-6355



Van Buren Urethral Sound Set, Curved

CODE	DESCRIPTION	LENGTH	SET	CODE	DESCRIPTION	LENGTH	SET
51-6355	8–30 French	10 ¾ in 27 cm	12/Set	51-6350	14–24 French	10 ¾ in 27 cm	6/Set



29-1816

Walther Urethral Sound

CODE	DESCRIPTION	LENGTH	CODE	DESCRIPTION	LENGTH
29-1816	16 French	11 ¼ in 28.5 cm	29-1826	26 French	11 ¼ in 28.5 cm
29-1818	18 French	11 ¼ in 28.5 cm	29-1828	28 French	11 ¼ in 28.5 cm
29-1820	20 French	11 ¼ in 28.5 cm	29-1830	30 French	11 ¼ in 28.5 cm
29-1822	22 French	11 ¼ in 28.5 cm	29-1832	32 French	11 ¼ in 28.5 cm
29-1824	24 French	11 ¼ in 28.5 cm	29-1834	34 French	11 ¼ in 28.5 cm