

Intended Use:

Soaking Cup Cleaning Systems are used for manual cleaning.

⚠ Follow cleaning solution
Manufacturers' instructions.

Remove Mounting Hardware and Literature
from inside of cup.

Includes:

- Soaking Cup
- Stand
- Mounting Hardware

Soaking Cup can be used as a table top or
a wall mount system.

Wall Mounting Instructions:

(*Requires qualified Maintenance Personnel)
To mount on wall, use corresponding
template and drill 3/16" diameter holes
(3) into wall in appropriate location. Use a
Phillips screwdriver to screw Toggle Bolts
into the wall and Soaking Cup Stand.

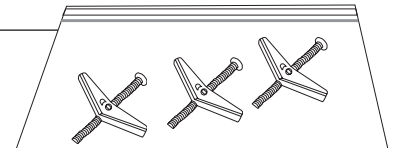
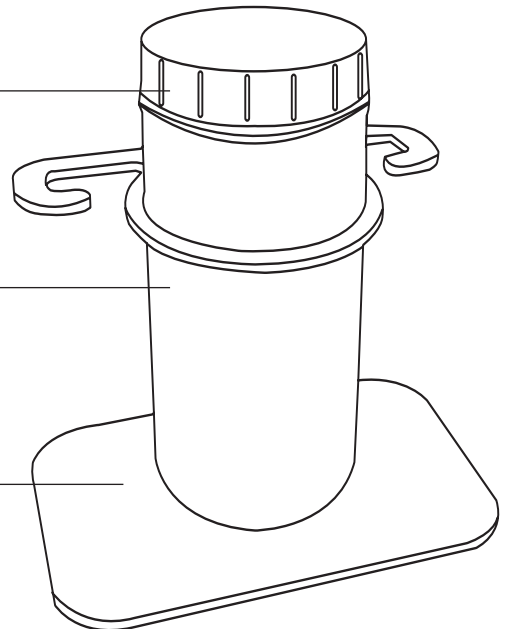
Wall Mount Template

Lid

Soaking Cup

Stand

Mounting Hardware



For translations of this instruction, go to aspensurgical.com/ifu