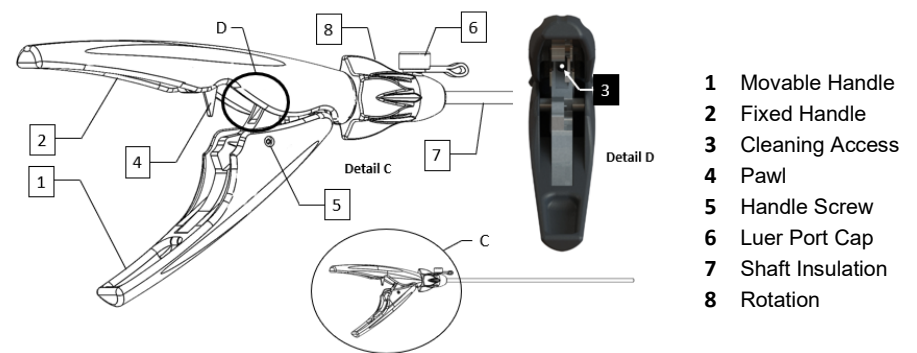
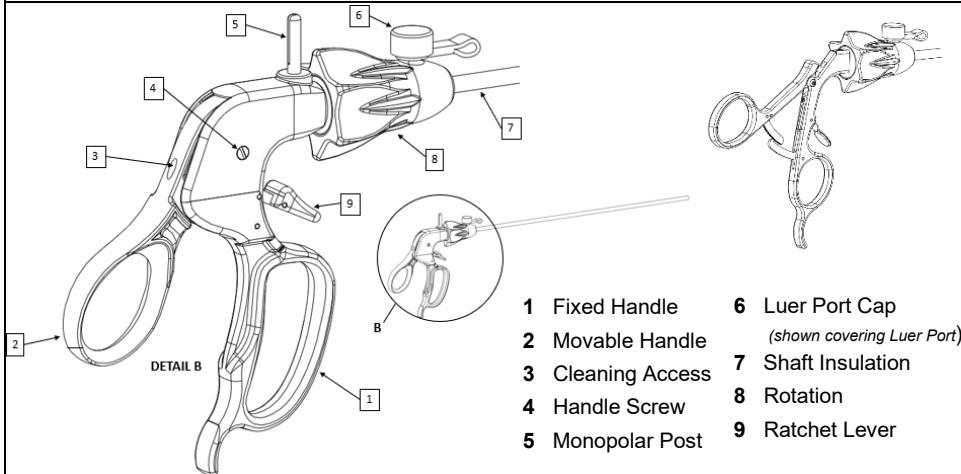
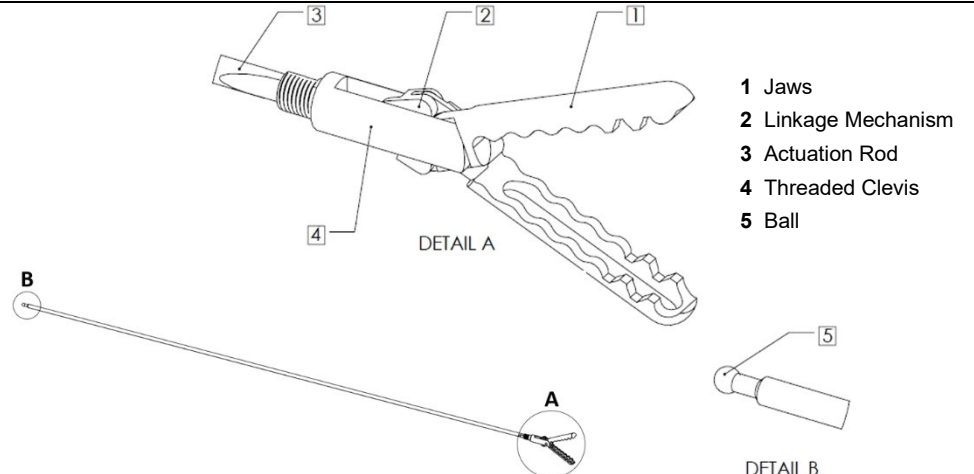

Modular Slide Lock Handle

Modular Axial Handle

All Other Modular Monopolar and Steel Handles

Reusable Insert
Intended Use:

Hand held Laparoscopic instruments are intended for grasping, cutting, dissecting, retracting, clamping, biopsy, and/or cauterization of tissue. The devices are used in conjunction with a laparoscope during laparoscopic procedures. Instruments should be used only by personnel completely familiar with their operation. Using an instrument improperly for a task which it was not intended may result in a damaged or broken instrument.

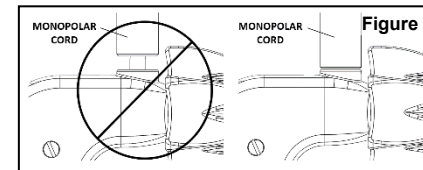
Contraindications:

- Do not activate the electrodes during use if laparoscopic electrosurgical techniques are contraindicated.
- DO NOT USE if use if laparoscopic methods have been contraindicated.

Supplied Contents: Modular Handles and Reusable Inserts are sold separately.

Safety Information

- Warning:** Risk of injury and damage to products: Failure to read and follow this IFU (Instructions for Use) and the IFU of products used in combination can result in injury or death to patients, users, and third parties as well as damage to the product.
- Warning:** Risk of injury: Do not use instruments with damaged or missing insulation. Inspect instruments and cables for damage prior to each use. Insulation failures may result in burns or other injuries to the patient or operator.
- Warning:** Risk of injury: There is a risk of injury if active electrodes come into contact with other conductive devices and accessories.
- Warning:** Risk of injury: Keep electrical connections dry while in use to prevent unintended conduction of HF current.
- Warning:** Risk of injury: Do not activate instrument when not in contact with target tissue, as this may cause injuries due to capacitive coupling.
- Warning:** Risk of injury: The surface of the active electrode may remain hot enough to cause burns after the RF current has been deactivated.
- Warning:** Risk of injury: Activating the electrosurgical unit simultaneously with suction/irrigation may alter the path of energy. Aspirate fluid from the area before activating the instrument. Conductive fluids (e.g., blood or saline) in direct contact with or in close proximity to an active electrode may alter electrical current which may cause unintended burns to the patient.
- Warning:** Risk of injury: Incorrectly assembled and damaged devices can lead to injuries to the patient or operator. Devices and all accessories used in combination must be checked immediately before and after use. Check for missing parts, damaged insulation, loose parts, cracks, broken parts, or bent parts. Verify that devices are fully functional.
- Warning:** Risk of Injury: The use of excessive force may result in medical devices which malfunction. If a device needs service, return it to Symmetry Surgical regardless of age..
- Warning:** Risk of injury: If application parts are used outside of the field of vision there is a risk that tissue and accessories could be damaged unintentionally. Always hold the application parts of the active electrode and other instruments which transmit energy in a target-oriented manner and in the field of vision during application.
- Warning:** Risk of fire: DO NOT activate the electrode in the presence of flammable anesthetics or oxidizing gases (such as nitrous oxide (N₂O) and oxygen) or in close proximity to volatile solvents (such as ether or alcohol), as explosion or fire may occur.
- Warning:** Risk of fire: DO NOT place instrument near or in contact with flammable materials (such as gauze or surgical drapes). Instruments which are activated or hot from use may cause a fire.
- Warning:** Risk of injury: When not in use, stage devices in a visible area not in contact with the patient to minimize the risk of accidental activation and inadvertent patient contact.
- Warning:** Risk of injury: DO NOT USE with hybrid trocar systems, i.e. a combination of metal and plastic. This may result in alternate site burns due to capacitive coupling. Use only all-metal or all plastic trocar systems.
- Warning:** Risk of injury: Connect adaptors and accessories to the electrosurgical unit only when the unit is off. Failure to do so may result in electrical shock, burn, or fire hazard.
- Warning:** Risk of injury: Prior to increasing the intensity, check the adherence of the neutral electrode and its connections. Apparent low output or failure of the device to function correctly at the normal operating settings may indicate faulty application of the neutral electrode or poor contact in its connections.
- Warning:** Risk of injury: The electrosurgical cord must cover the Monopolar Post. - (see Figure 2)
- Warning:** Risk of injury:
- DO NOT EXCEED maximum output voltage of 2000 Volts Peak at a Crest Factor of less than 1.6
 - DO NOT EXCEED maximum output voltage of 2100 Volts Peak at a Crest Factor of less than 2.8
 - DO NOT EXCEED maximum output voltage of 3000 Volts Peak at a Crest Factor of less than 5.5
- Warning:** Risk of injury: The non-conductive Luer Port Cap must securely cover the Luer Port during use.
- Warning:** Risk of infection: Devices ship from manufacturer non-sterile. Clean and sterilize per these IFU (Instructions for Use) prior to use.
- Warning:** Risk of injury: Neither the product nor the product container contains Natural Rubber Latex.
- Warning:** Risk of infection: Do no reuse devices which are suspected to have been contaminated with transmissible spongiform encephalopathy (TSE) agents (prions).
- Caution:** Federal (USA) law restricts this device to sale by or on the order of a physician.
- Caution:** Incorrect application of medical devices poses a risk of injury. Users of medical instruments must have an appropriate medical qualification and be acquainted with the application.
- Caution:** Laparoscopic surgery may result in gas embolism due to insufflation of gas into the abdomen.
- Caution:** Sharp edges or pinch points may damage personal protective equipment such as surgical gloves.
- Caution:** Due to the carcinogenic and infectious potential of electrosurgical by-products (such as tissue smoke plume and aerosols), protective eyewear, filtration masks, and effective smoke evacuation equipment should be used in both open and laparoscopic procedures.
- Caution:** Keep the active electrodes clean. Build-up of eschar may reduce the instrument's effectiveness. Do not activate the instrument while cleaning.
- Caution:** Use instruments only in conditions that assure adequate visualization to minimize risk of misapplied electrosurgical energy.
- Caution:** Output power selected should be as low as possible for the intended purpose.
- Caution:** A singular instrument must be the sole conductor of energy to tissue. Do not conduct energy by touching an instrument to a second instrument contacting tissue.
- Caution:** Wear of insert clevis may be an indication of impending mechanical failure, which may result in component coming loose during use.
- Caution:** Proper care and maintenance of hand held laparoscopic instruments is essential for safe and effective operation. Prior to each use, instruments should be thoroughly examined for end of life indicators such as broken or worn parts which may inhibit the function. Specifically, instruments used for electrosurgery must be checked for nicks, cracks, or damaged insulation. Careful inspection upon receipt and frequent inspection during use for functional integrity is recommended as a safeguard against possible injury to patient or operator. Instruments should be used with extreme care when inserting or removing from the cannula. Lateral pressure on the device during removal can damage the working tip, the shaft of the device, and/or insulation. Be sure the tips are closed and the device is pulled straight out until completely clear of cannula to avoid catching valve assemblies or dislodging the cannula.
- Caution:** The non-conductive Luer Port Cap must be installed securely on the flush port during use to minimize insufflation leakage from the patient. The Luer Port Cap must NOT cover the flush port during cleaning and sterilization.
- Caution:** Use of instrument for a task other than that for which it is intended may result in a damaged or broken device. For example:
- Use of a delicate dissector as a grasper
 - Use of a 5mm grasper or dissector instead of a 10mm claw extractor forceps to remove excised tissue through cannula
- Caution:** Incorrect placement of trocars can adversely affect instrument effectiveness, patient safety, and operator comfort.
- Caution:** Electrosurgical Cords must comply with IEC 60601-2-2:2009. Always reference and follow the IFU (Instructions for Use) for Electrosurgical Cords.
- Caution:** Electrosurgical Generators must comply with IEC 60601-2-2:2009. Always reference and follow the IFU (Instructions for Use) for the ESU (Electrosurgical Generator).



Assembly and Disassembly Instructions

Directions for Removing an Insert from Modular Slide Lock Handle:

Note: Disassembly for cleaning does not require mechanical tooling. (i.e. screwdriver, pliers, etc.)

Step 1: Move the Moveable Handle and Slider into the “fully-open” position – confirm that the Guide Pin is in the location shown in Figure 3.

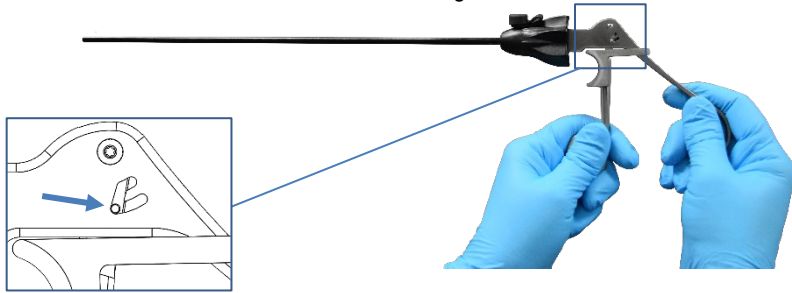


Figure 3

Step 2: Apply upward pressure on the Moveable Handle until the Guide Pin moves into the upper-track as shown in Figure 4 below – the instrument is now ready to be disassembled.

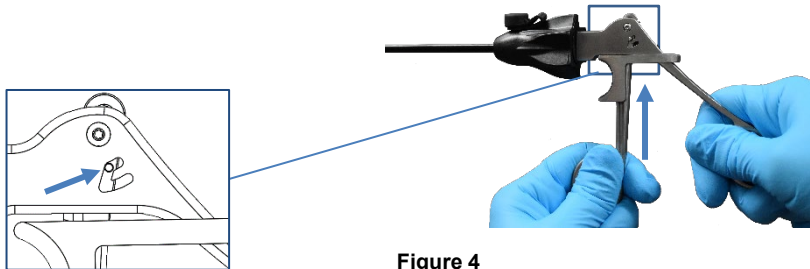


Figure 4

Step 3: While grasping the Rotation with one hand to keep it from turning, unscrew (turn counter clockwise) the Insert from the Shaft until it can be pulled from the Shaft (See Figure 5).



Figure 5

[View the 5SLR Animation for Assembly and Disassembly Here:](#)



Directions for Removing an Insert from All Other Modular Monopolar, Steel, and Axial Handles:

Note: Disassembly for cleaning does not require mechanical tooling. (i.e. screwdriver, pliers, etc.)

Note: Modular Monopolar Handle is used to represent Steel and Axial Handle assembly/disassembly

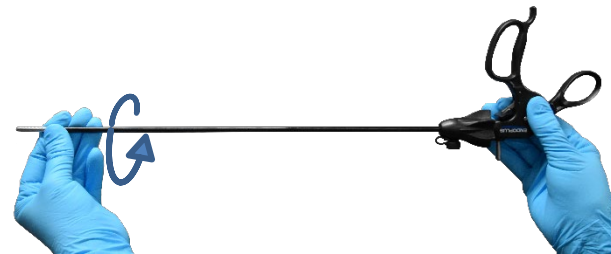
Step 1: Position the Handle upside down, allowing the spring-loaded Movable Handle to open completely (See Figure 8).

Figure 8:



Step 2: While grasping the Rotation with one hand to keep it from turning, unscrew (turn counter clockwise) the Insert from the Shaft until it can be pulled from the Shaft (See Figure 9).

Figure 9:



Directions for Installing an Insert into the Modular Slide Lock Handle:

Note: Disassembly for cleaning does not require mechanical tooling. (i.e. screwdriver, pliers, etc.)

Step 1: Repeat steps 1 and 2 of "Directions for Removing an Insert from Modular Slide Lock Handle" to move the Guide Pin into the "ready-to-assemble" state – confirm that the Guide Pin is in the position shown in Figure 6.

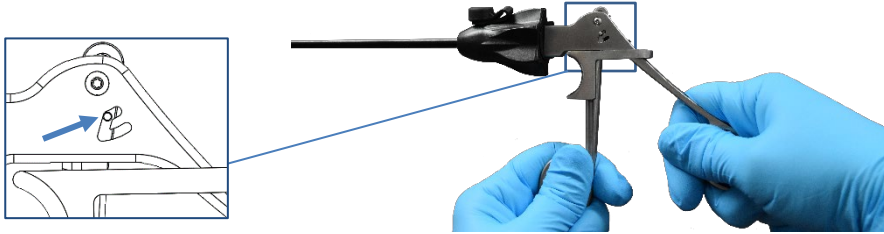


Figure 6

Step 2: While grasping the Rotation with one hand to keep it from turning, screw (turn clockwise) the Insert into the Shaft until the Threaded Clevis is seated firmly against the Shaft Insulation (See Figure 7).



Figure 7

Step 3: When the insert is fully screwed in, move the Guide Pin back in the "engaged" state; this is accomplished by applying slight downward pressure on the Moveable Handle when the Guide Pin is in Location A of Figure 8.

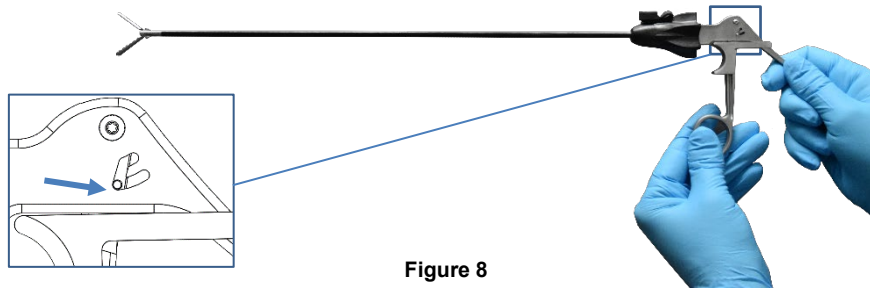


Figure 8

Step 4: Verify that the Insert was installed correctly: If movement of the Moveable Handle translates to jaw movement, then Insert was correctly installed.

Directions for Installing an Insert into All Other Modular Monopolar, Steel and Axial Handles:

Note: Disassembly for cleaning does not require mechanical tooling. (i.e. screwdriver, pliers, etc.)

Note: Modular Monopolar Handle is used to represent Steel and Axial Handle assembly/disassembly

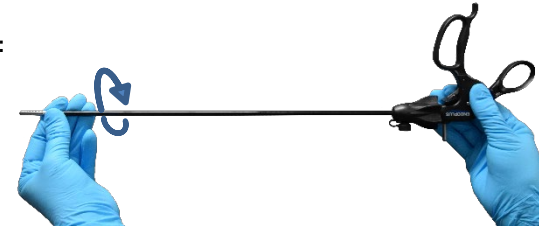
Step 1: Position the Handle upside down, allowing the spring-loaded Movable Handle to open completely (See Figure 10).

Figure 10:



Step 2: Place the Insert into the Shaft of the instrument. The Movable Handle will transition from "Hyperextend" Position to the "Active" position once the Insert is installed correctly. Screw the Insert into the Shaft (turn clockwise) until the Threaded Clevis is fully seated against the Shaft Insulation (See Figure 11).

Figure 11:



Step 3: Verify that the Insert was installed correctly: If movement of the Moveable Handle translates to jaw movement, then Insert was correctly installed.

Processing and Sterilization Instructions

Pre-processing instructions:

- Initiate cleaning within 30 minutes of use and do not allow soil to dry prior to cleaning.
- Inspect devices for end of life indicators. (See Product Life on p. 6 for end of life indicators)

Manual cleaning Instructions for all Handles.

1. Prepare a enzymatic / neutral pH detergent in warm water (15°C - 30°C or 59°F to 86°F) per enzymatic / neutral pH detergent manufacturer's IFU (Instructions for Use).
2. Prior to removing the inserts from the Handle Assembly, flush the device with a minimum of 60mL of pH-neutral/enzymatic detergent solution through the Luer Port.
3. Completely immerse assembled devices in the pH-neutral/enzymatic detergent solution and allow devices to soak for a minimum of 5 minutes. Actuate all movable parts during the initiation of the soak time.
4. Remove inserts from the Handle.
Note: Clean inserts separately per Manual Cleaning Instructions for Reusable Inserts.
5. Ultrasonic clean devices in pH-neutral/enzymatic detergent solution for a minimum of 10 minutes.
6. Using a hand held soft bristle brush, use a back and forth motion to brush all exterior surfaces of devices with particular attention paid to Monopolar Post, crevices, grooves, fitting, and joints.
7. Pass a brush through the entire length of the interior lumen a minimum of three (3) times for cleaning prior to sterilization. A 5mm brush can be inserted into the Handle Access For Cleaning (for both 5mm and 10mm devices) and removed by pulling it from the distal end of the Handle Assembly. 10mm devices require additional channel brushing.
 - Lumen Brush Characteristics:
 - 5mm Device: 5mm diameter with soft (nonmetallic) bristles, 230mm length
 - 10mm Device: 10-12mm diameter with soft (nonmetallic) bristles, 410mm length
 - External Brush Characteristics: Soft (nonmetallic) bristled tooth brush
8. Flush the Handle Assembly with a minimum of 60mL of pH-neutral/enzymatic detergent solution through the Luer Port. Repeat the flush process a minimum of 2 times or until all fluid exiting the lumen is clear of soil.
9. If visible soil is detected during the final lumen flush, repeat ultrasonic, brushing and flushing steps until all fluid exiting the lumen is clear of soil.
10. Rinse the devices by completely immersing in warm water for a minimum of 30 seconds to remove any residual detergent or debris. Flush devices with a minimum of 60ml of warm tap water through the Luer Port. Repeat the flush process a minimum of 2 times.
11. Manipulate devices with lumens to allow rinse water to drain from the lumen.
12. Visually examine each instrument for cleanliness and repeat cleaning procedure if visible soil remains.

Manual cleaning Instructions Reusable Inserts and Laparoscopic Rack.

1. Prepare a enzymatic / neutral pH detergent in warm water (15°C - 30°C or 59°F to 86°F) per detergent manufacturer's IFU (Instructions for Use).
2. Prior to removing inserts from the Handle Assembly, flush the device with a minimum of 60mL of pH-neutral/enzymatic detergent solution through the Luer Port.
3. Completely immerse assembled devices in the pH-neutral/enzymatic detergent solution and allow devices to soak for a minimum of 5 minutes. Actuate all movable parts during the initiation of the soak time.
4. Remove inserts from the Handle.
5. Ultrasonic clean Inserts/Devices/Laparoscopic Rack in pH-neutral/enzymatic detergent solution for a minimum of 10 minutes.
6. Using a hand held soft bristle brush, use a back and forth motion to brush all surfaces of Inserts/Devices/Laparoscopic Rack with particular attention paid to jaws, clevis, linkage mechanism, and crevices.
External Brush Characteristics: Soft nylon (nonmetallic) bristled tooth brush
7. Rinse Inserts/Devices/Laparoscopic Rack by completely immersing in pH-neutral/enzymatic detergent solution.
8. If visible soil is detected following the rinse, repeat ultrasonic, brushing, and rinsing steps until visible soil is no longer detected.
9. Rinse the Inserts/Devices/Laparoscopic Rack by completely immersing in warm water for a minimum of 30 seconds to remove any residual detergent or debris.
10. Visually examine each Inserts/Devices/Laparoscopic Rack for cleanliness.
11. If visible soil remains, repeat cleaning procedure.

Sterilization Instructions: Handle Assemblies may be sterilized with the insert installed. Flush Port Cap must be open during sterilization. Configured devices so that water pooling does not occur.

Prevacuum Steam Sterilization Parameters If Sterilized in Instrument Wrap:

Minimum Preconditioning Pulses: 3
Minimum Temperature: 132°C (270°F)
Minimum Exposure Time: 4 minutes
Minimum Dry Time: 20-30 minutes

Sterilization Configuration: Wrapped (2 layer 1-ply or 1 layer 2-ply)

Storage Instructions If sterilized In Instrument Wrap:

Devices must remain wrapped and be stored in a clean, dry environment to maintain sterility. Follow the Instrument Wrap manufacturer's IFU (Instructions for Use).

Prevacuum Steam Sterilization Parameters If Sterilized In A Rigid Container:

Minimum Preconditioning Pulses: 3
Minimum Temperature: 132°C (270°F)
Minimum Exposure Time: 4 minutes
Minimum Dry Time: 0 minutes

Sterilization Configuration: Devices in a Laparoscopic Rack which is inside of a Rigid Container

Storage Instructions If Sterilized In A Rigid Container:

Devices must remain sealed in the rigid container, which has been validated to maintain sterility. Follow the Rigid Container manufacturer's IFU (Instructions for Use) for shelf life.

Product Life: Expected life is greatly dependent upon the care, handling, and use of the devices. Product life may be reduced by improper handling, excessive force, or third party modifications.

Product Life: Modular Handles

Use until Handle exhibits end of life indicators.

End of life indicators include:

- Cracked, broken, bent, missing, loose, or damaged components.
- Damaged, missing, or modified shaft insulation, especially at the distal end of the tube
- Intermittent electrical performance
- Impaired mechanical function

Product Life: Reusable Inserts

Use until Reusable Insert exhibits end of life indicators.

End of life indicators include:

- Cracked, broken, bent, missing, loose, or damaged components
- Impaired mechanical function

Warranty:

Instruments returned for warranty service determined to be defective in materials or workmanship will either be repaired or replaced without charge. Warranty is void if it is determined that the device has been used for purposes other than intended, damaged by misuse, damaged by excessive force, or has been altered by a third party.

Warranty: Handles

One year warranty for defects in materials and workmanship.

Warranty: Reusable Inserts

One year warranty for defects in materials and workmanship.

Return of Product:

1. Contact Symmetry Surgical for a Return Material Authorization (RMA) Number and follow instructions on the website.
2. Prior to returning any device, it must be cleaned and sterilized per these (IFU) Instructions for Use.

Distributed by::

Symmetry Surgical Inc.

3034 Owen Drive

Antioch, TN 37013

US Phone Number: +1 800-251-3000

