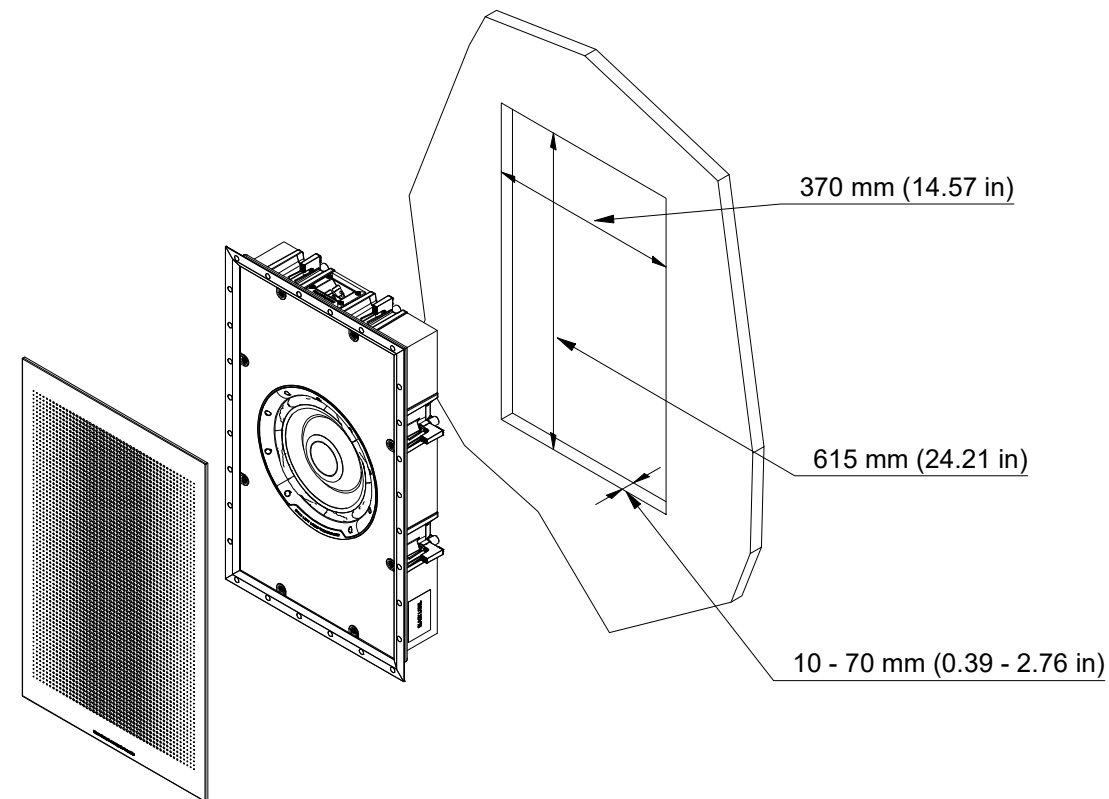
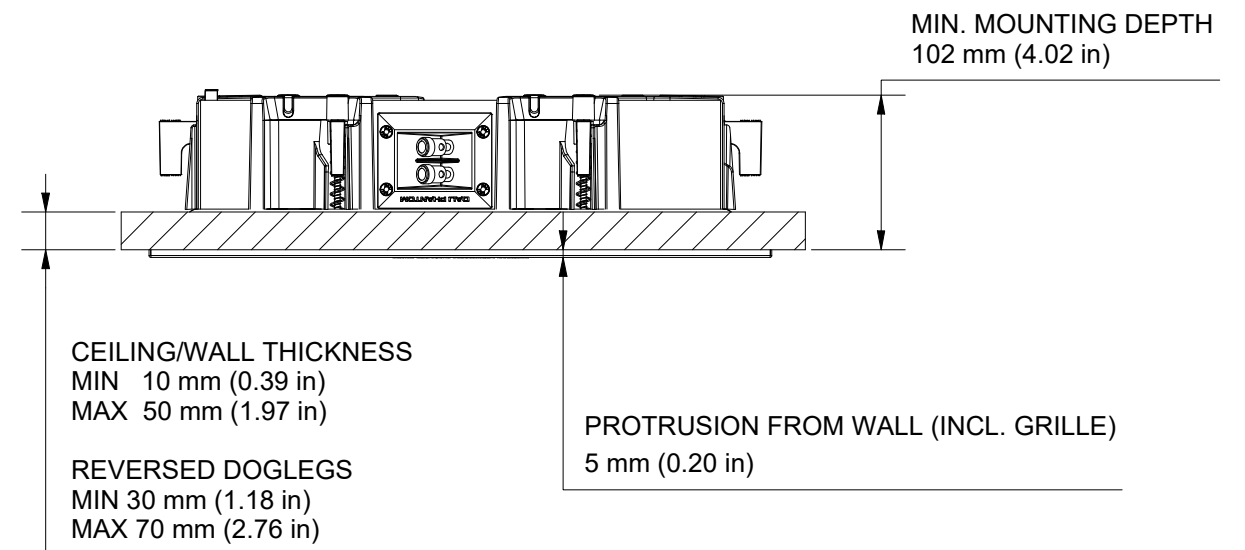


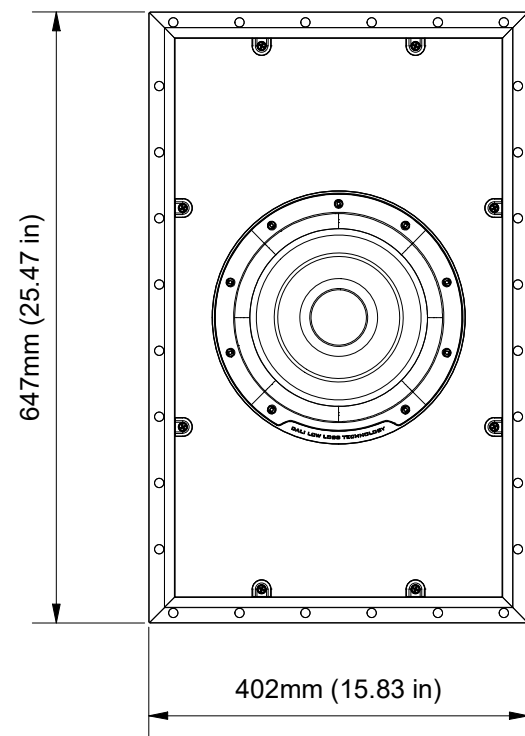
### CUT-OUT DIMENSIONS



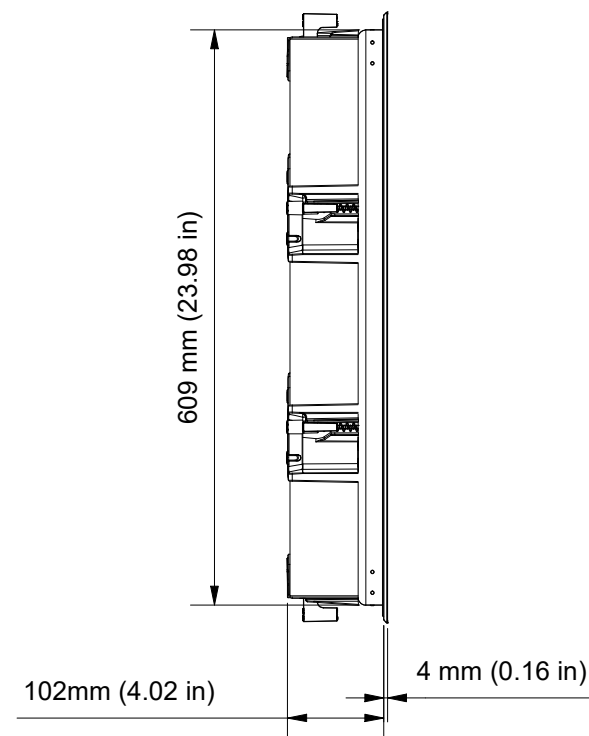
### CEILING/WALL THICKNESS



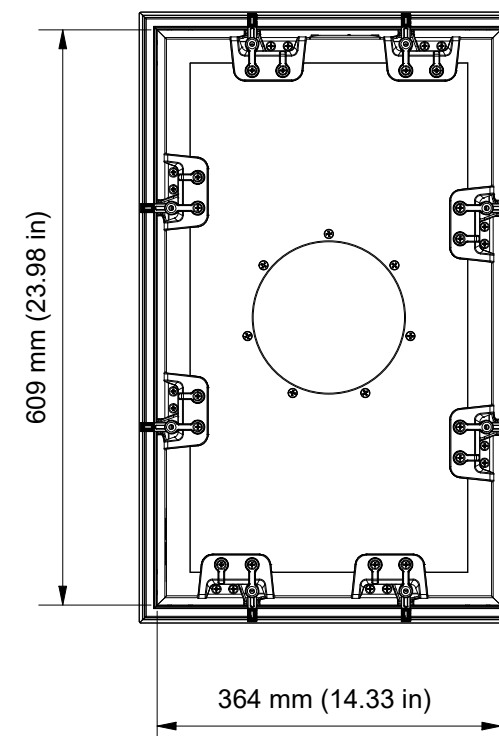
### FRONT



### SIDE



### BACK



### GRILLE

