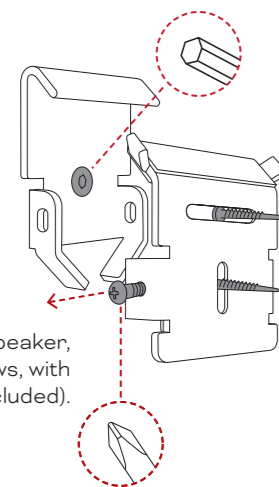


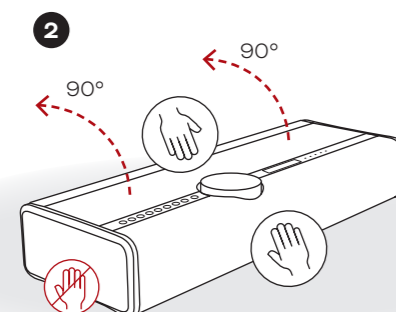
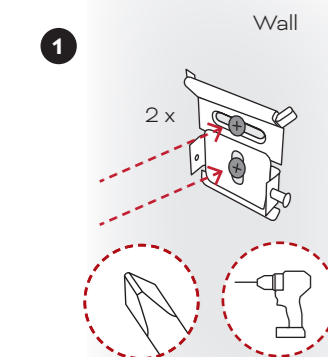
WALL MOUNTING

Bracket for DALI VEGA, is mounted with one bracket screw (included). Use an M6 Allen key.

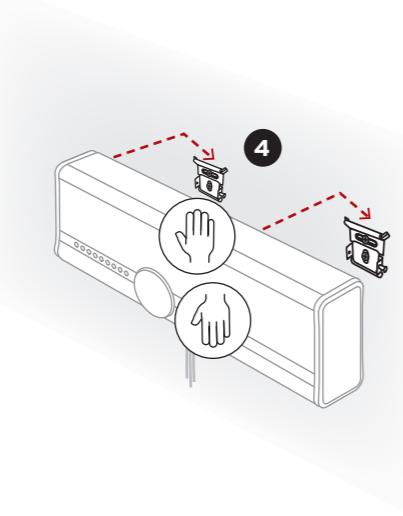
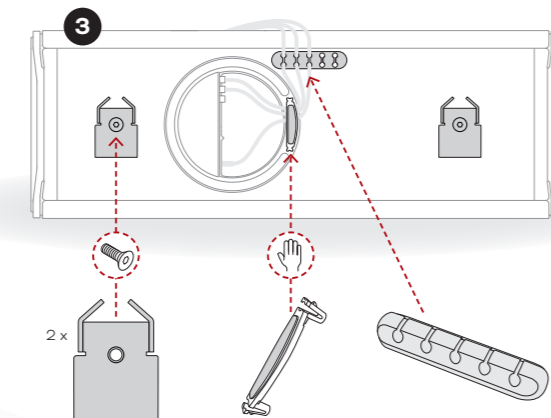


Before mounting the speaker, loosen the safety screw/screws, with a Phillips screwdriver (not included).

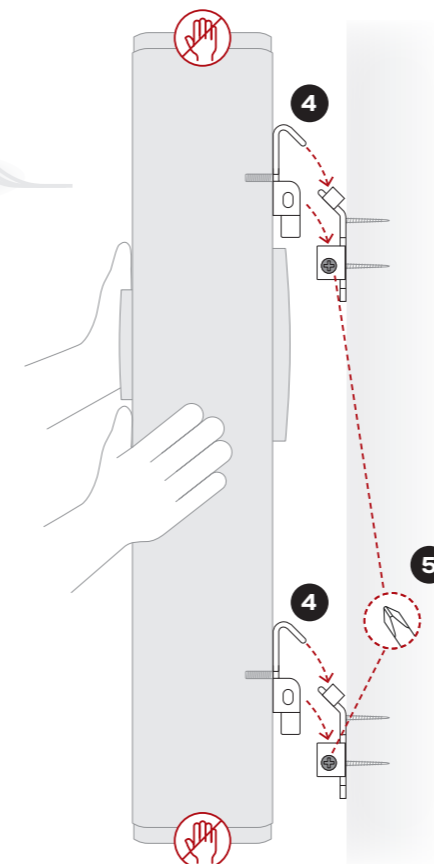
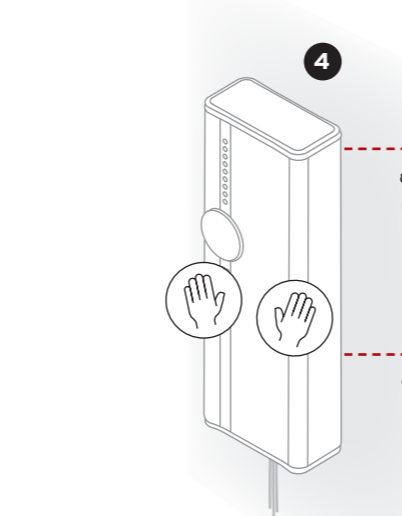
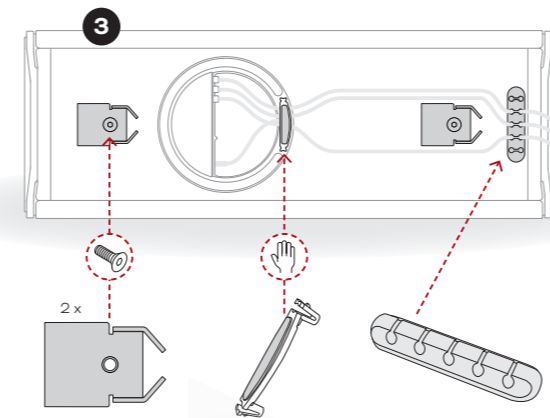
Bracket for wall is mounted with two screws, appropriate for the wall type. (Not included).



WALL-MOUNTING: LANDSCAPE



WALL-MOUNTING: PORTRAIT



WI-FI CONNECTION & BLUOS SETUP

- 1 Plug in your player**
Wait for the BluOS LED to turn solid green, indicating 'Hotspot' mode.
- 2 Get the BluOS app**
Using your phone or tablet, download and open the BluOS app.
- 3 Add your DALI VEGA to your network**
The 'Add a player' wizard will guide you through the steps to complete your BluOS setup.



Go to bluesound.com/downloads to download the App
The initial network setup is done using the BluOS App on your phone or tablet. Make sure you have the App downloaded and installed, and your phone or tablet nearby as you get started.

DALI VEGA

QUICK START GUIDE

WIRELESS SOUND SYSTEM