

PRODUCT SPECS

TOUCHLESS SANITIZER PUMP STAND

Features

- Powder coated steel
- Vertical adjustment locations to accommodate a variety of bottle sizes
- Foot lever action for touchless application
- Ships KD
- Ships in 3-5 days

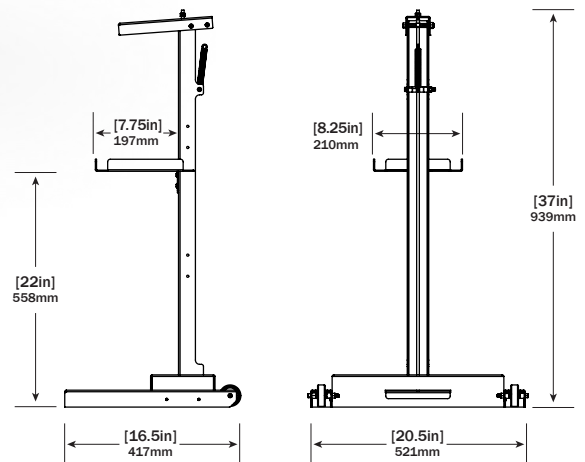
OPTIONS

POWDER COAT COLOR OPTIONS

150+ colors available.

TECHNICAL SPECIFICATIONS

STANDARD DIMENSIONS



Hand sanitizer not included.

WARRANTY INFORMATION

Ten Years Structural components such as beams, feet and top supports.