

ASSEMBLY INSTRUCTIONS

CAMKIOSK® EQUIPMENT STAND

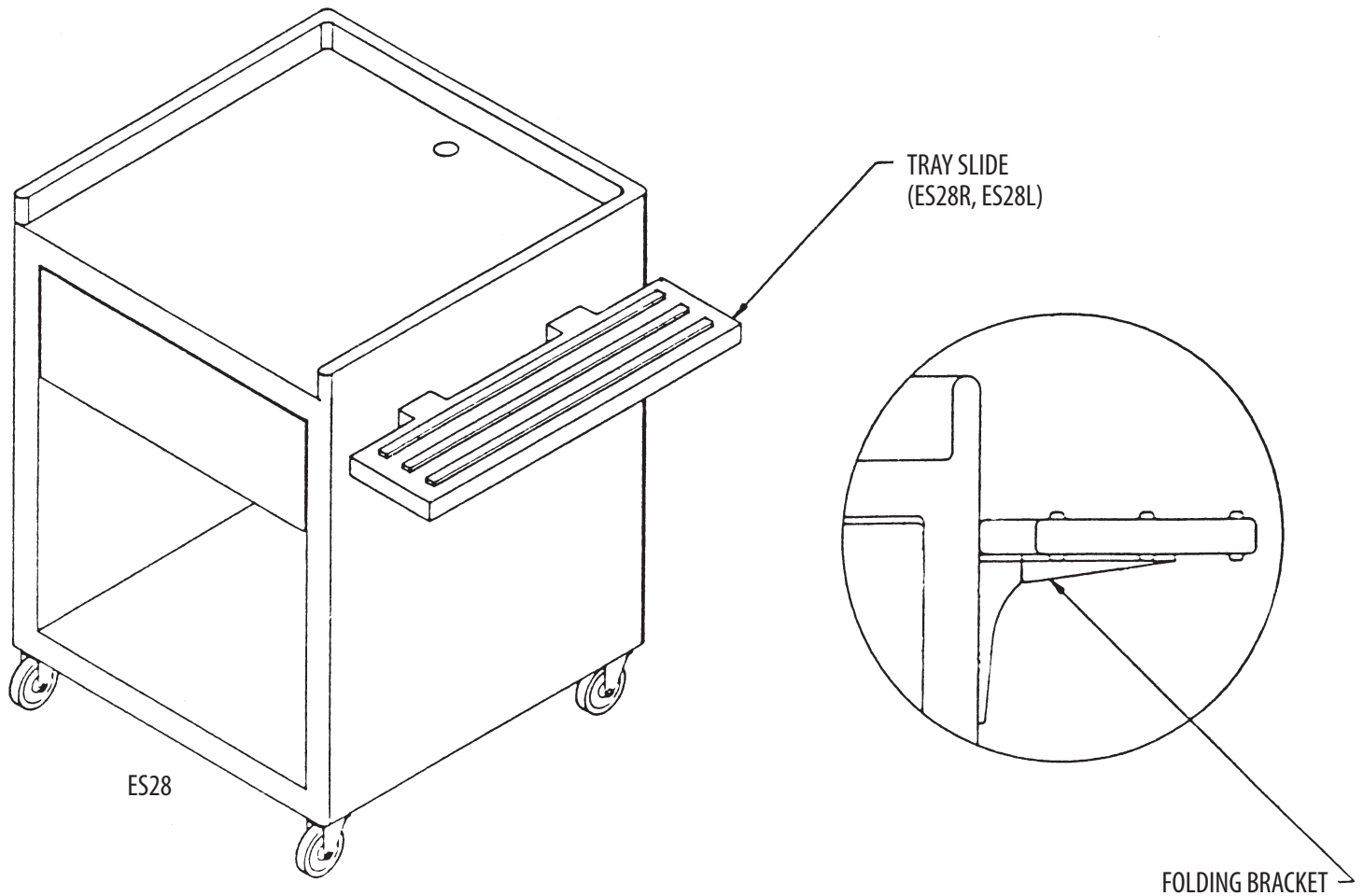
The ES28 is shipped completely assembled, except for attaching the tray slides.

Stand Only

ES28

Stand with Rails

ES28RL



STEP 1: To attach Tray Slides, screw 10-32 x $\frac{3}{8}$ flat head screws through Tray Slide Folding Bracket and into threaded holes in the side of the ES28. Repeat this step with both brackets.