

LATCH INSTALLATION ON MDC1520T16/MDC1418T16

- STEP 1:** PUT THE LATCH THROUGH THE CUTOUT ON THE DOOR. THE SLIDE BOLT MUST ENTER FIRST INTO THE CUTOUT.
- STEP 2:** HOLD THE LATCH FLAT AGAINST THE DOOR. THEN POSITION THE COVER BEHIND THE LATCH. THE SLIDE BOLT MUST ENTER FIRST INTO THE SQUARE HOLE OF THE COVER.
- STEP 3:** PASS THE INCLUDED SCREWS THROUGH THE HOLES ON THE LATCH AND LATCH COVER AND INSTALL THE INCLUDED NYLON LOCK NUTS. (SEE FIG. 1)

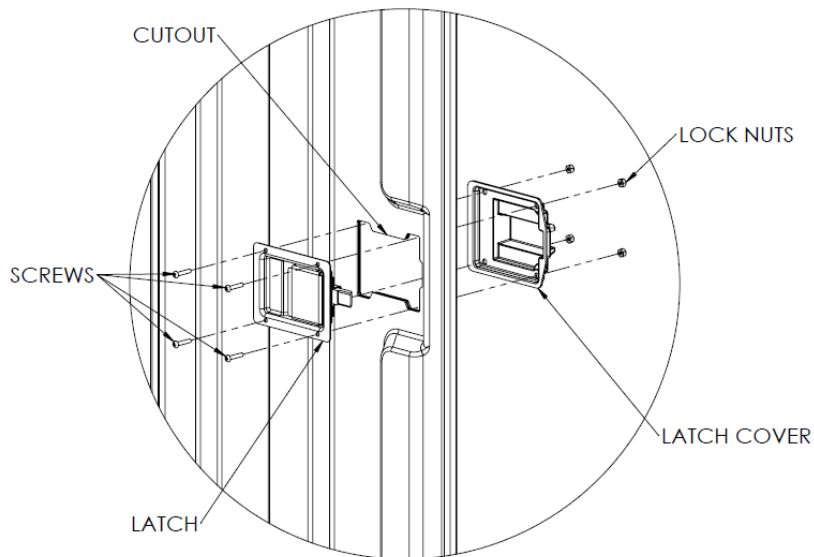


FIG. 1

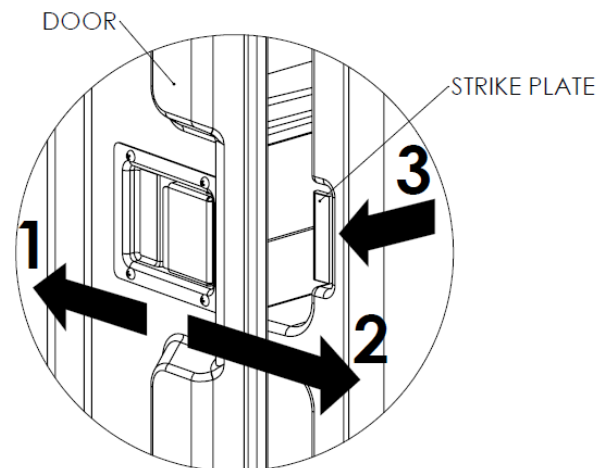


FIG. 2

LATCH ADJUSTMENT

1) IF THE DOOR IS HARD TO CLOSE

- LOOSEN THE FOUR LOCK NUTS
- PUSH THE LATCH TOWARD THE DOOR HINGE (DIRECTION 1) APPROXIMATELY 1/8" (SEE FIG. 2)
- TIGHTEN THE LOCK NUTS

REPEAT THIS PROCEDURE GRADUALLY UNTIL THE DOOR CLOSES PROPERLY

2) IF THE DOOR WON'T CLOSE

- LOOSEN THE FOUR LOCK NUTS
- PUSH THE LATCH IN DIRECTION 2 APPROXIMATELY 1/8" (SEE FIG. 2)
- TIGHTEN THE LOCK NUTS

REPEAT THIS PROCEDURE GRADUALLY UNTIL THE DOOR CLOSES PROPERLY

3) IF THE DOOR IS TOO LOOSE AFTER CLOSING

- LOOSEN THE TWO SCREWS HOLDING THE STRIKE PLATE (ON CART BODY)
- PUSH THE STRIKE PLATE TOWARD THE FRONT (DIRECTION 3) APPROXIMATELY 1/16" (SEE FIG. 2)
- TIGHTEN THE TWO SCREWS

REPEAT THIS PROCEDURE GRADUALLY UNTIL THE DOOR IS TIGHT AFTER CLOSING