

BATTEN : LED LINEAR FIXTURES

DESCRIPTION

Xeleum's Batten Series of LED Linear luminaires is designed to provide a cost effective alternative to standard fluorescent fixtures in low/mid mounting applications such as store fronts, hallways, canopy areas and covered walk-ways. With an IP65 rating these architectural linear fixtures can be surface mounted in both interior and exterior applications. Installation is made easy with the use of "snap-on" brackets and waterproof end-to-end connectors. These fixtures provide a minimum of 60% energy savings over the existing fixtures and can be ordered in both medium and high efficacy versions.

FEATURES

- IP65 Rating for outdoor locations
- Durable Aluminum/PC construction
- Snap-in mounting brackets for ease of installation
- Quick connect end caps for linear runs up to 300W
- End-to-end connectability for near seamless lighting runs
- Greater than 60% energy savings over existing fixtures
- Available in lengths of 2ft / 4ft / 8ft
- Available in Medium and High efficacy versions

LISTINGS

- UL Listed for wet locations
- P65 Rated
- ROHS Compliant

SPECIFICATIONS

- Power Factor >0.95
- Voltage 100 – 277 VAC
- CRI >80
- Dimming 0 – 10 Volt
- Material Powder and PC
- Work Temp. - 40° F to + 130° F
- Storage Temp. - 40° F to + 185° F
- Operation Life Designed for > 65,000 Hours

WARRANTY

- 10 year limited warranty

*Maximum power limit is 300 watts per run. Additional power source will be required and a new run initiated after the 300 watt limit is achieved.

| | |
|----------------|---------|
| project name | type |
| catalog number | |
| comments | voltage |
| approved by | date |



APPLICATIONS

- Store front lighting
- Halls
- Canopy lighting
- Cove lighting
- Parking garages
- Outdoor security lighting
- Lighting for wet/damp locations



ORDERING INFORMATION:

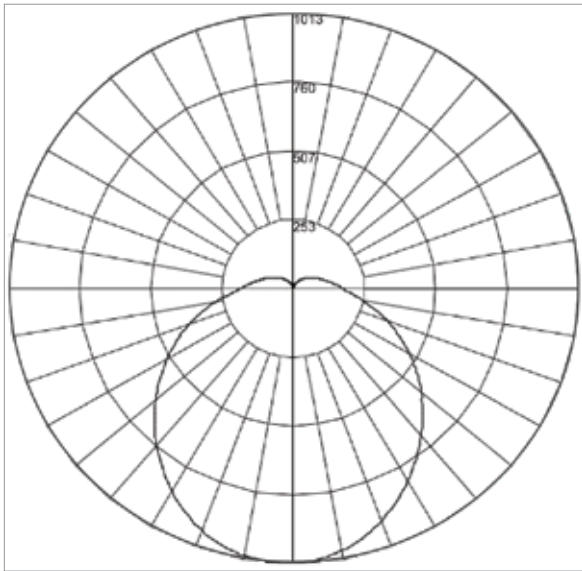
EXAMPLE: XBAT02-S40K-BUNW

| Product Code | Length | Power | CCT | CRI | Voltage | Dimmable | Lens |
|-----------------------------|--|--|--|----------------|-------------------------|---------------|------------------|
| XBAT - Batten Linear | 02 = 2' 04 = 4' 08 = 8' | S = Standard H = High | 40 = 4000K 50 = 5000K | B = >80 | U = 100 - 277VAC | N = No | W = White |

PART NUMBERS

| Length | Part Number | Max Power | Color Temp | Watts | Typical Lumens (4000K) |
|--------|------------------|-----------|------------|-------|------------------------|
| 2' | XBAT02-S40K-BUNW | Standard | 4000K | 12W | 1,380 lm |
| | XBAT02-S50K-BUNW | Standard | 5000K | | |
| | XBAT02-H40K-BUNW | High | 4000K | 16W | 1,840 lm |
| | XBAT02-H50K-BUNW | High | 5000K | | |
| 4' | XBAT04-S40K-BUNW | Standard | 4000K | 20W | 2,300 lm |
| | XBAT04-S50K-BUNW | Standard | 5000K | | |
| | XBAT04-H40K-BUNW | High | 4000K | 28W | 3,220 lm |
| | XBAT04-H50K-BUNW | High | 5000K | | |
| 8' | XBAT08-S40K-BUNW | Standard | 4000K | 40W | 4,600 lm |
| | XBAT08-S50K-BUNW | Standard | 5000K | | |
| | XBAT08-H40K-BUNW | High | 4000K | 56W | 6,440 lm |
| | XBAT08-H50K-BUNW | High | 5000K | | |

POLAR CURVE: XABTO-H50K-BUNW



Maximum Candela = 1013.4 Located at Horizontal Angle = 150, Vertical Angle = 4
Vertical Plane through Horizontal Angles (0 - 180)

ACCESSORIES

| | | |
|------------------------|--|---------------|
| 1' Jumper Cable | This 1' jumper cable is used to connect one fixture to the next. It comes with watertight connectors on both ends. | WH-CAB-MN-037 |
| 3' Jumper Cable | This 3' jumper cable is used to connect one fixture to the next. It comes with watertight connectors on both ends. | WH-CAB-MN-038 |
| 6' Jumper Cable | This 6' jumper cable is used to connect one fixture to the next. It comes with watertight connectors on both ends. | WH-CAB-MN-039 |
| 3' Power Cable | 3' Cable for incoming power. Plugs into the first fixture in the string. Other end goes to on-site junction box. | WH-CAB-MN-046 |
| 12' Power Cable | 12' Cable for incoming power. Plugs into the first fixture in the string. Other end goes to on-site junction box. | WH-CAB-MN-036 |
| Snap-On Mounting Cable | 2 of these brackets are used to surface mount each fixture (hardware not included), except for the 8' fixture that gets 4 brackets that are secured to the surface then the fixture snaps into the brackets. | MC-005-31-108 |
| Joining Bracket | Allows the end of one Batten fixture to be snapped into the next, end-to-end, resulting in a water-tight seal | PP-006-WB-052 |
| Watertight Plug | A water tight seal for the power connection point, used at the end of a run. | PP-006-XB-053 |