

QUICK START GUIDE

WARNING

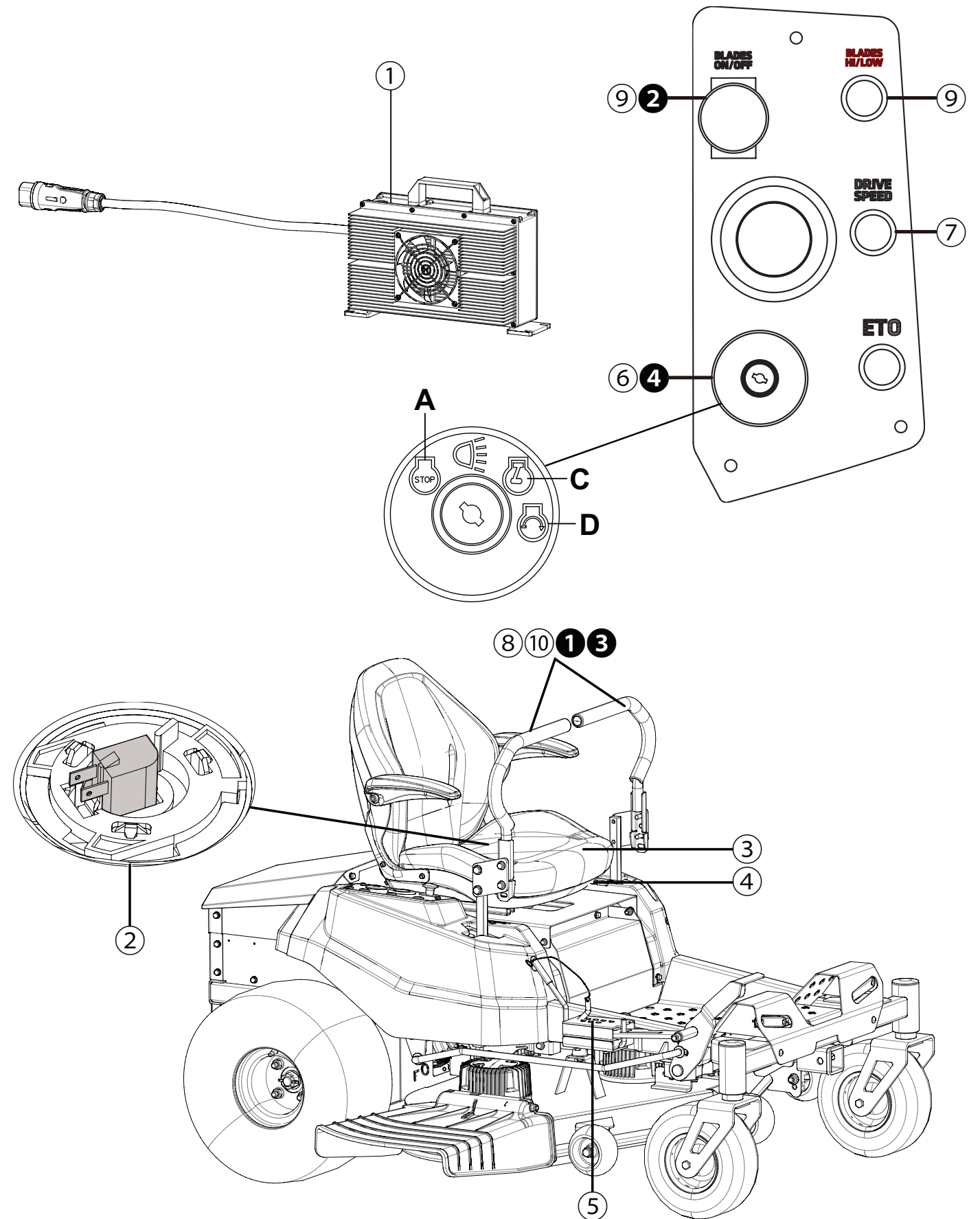
This Quick Start Guide is not a substitute for reading and following the operator's manual. To reduce the risk of serious injury, user must read and understand the operator's manual before using this product.

OPERATE THE MACHINE

- 1 Verify battery charge level. Charge if needed. See charger manual for details.
- 2 Make sure the two seat switch wires are connected to the machine.
- 3 Test safety interlock system.
- 4 Adjust seat to desired position.
- 5 Raise mower deck to highest position.
- 6 Insert the key and turn to Start ("D" position) and hold for 3 seconds. When you release the key it will return back to Run ("C" position) automatically,
- 7 Press the drive speed button to **LOW** position (light should be off).
- 8 Pull right and left steer control levers inward to the **NEUTRAL** position.
- 9 Pull up the **PTO** switch, press the deck blade speed button to **LOW** position.
- 10 Push steer control levers forward for forward motion and pull for reverse motion.

WHEN FINISHED

- 1 Return steer control levers to the **NEUTRAL** position.
- 2 Push steer control levers outward into **PARK BRAKE** position.
- 3 Push down on **PTO** switch to turn off the blades.
- 4 Rotate the key in the ignition switch counterclockwise to Off ("A" position).



Missing parts, accessories or need a service center?
Do Not Return to Store
Call : **1-855-345-3934**.
www.greenworkstools.com
Rev:00