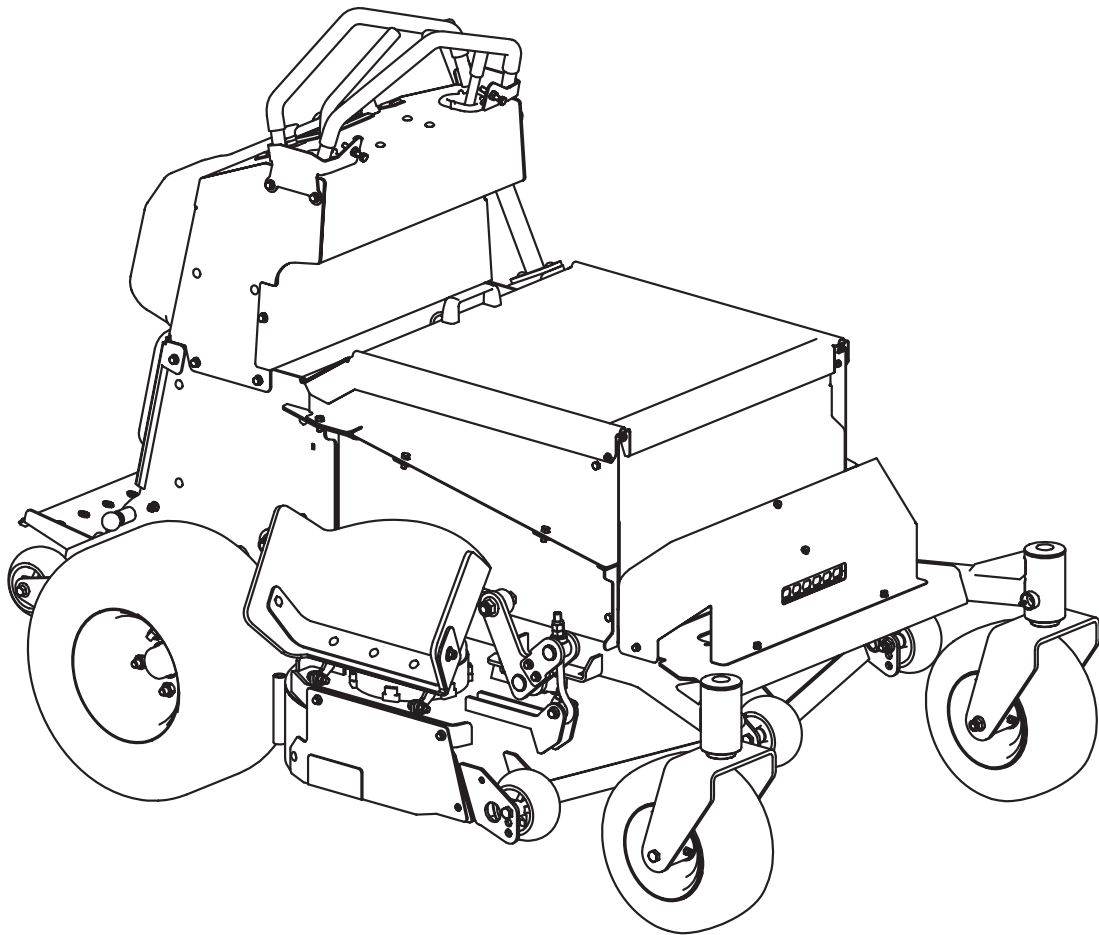


# GREENWORKS

## COMMERCIAL

### Stand On Mower 2501802 (Model No. GZM48S)



Parts Manual

**TOLL-FREE HELPLINE: 1-855-470-4267**

[www.GreenworksCommercial.com](http://www.GreenworksCommercial.com)

---

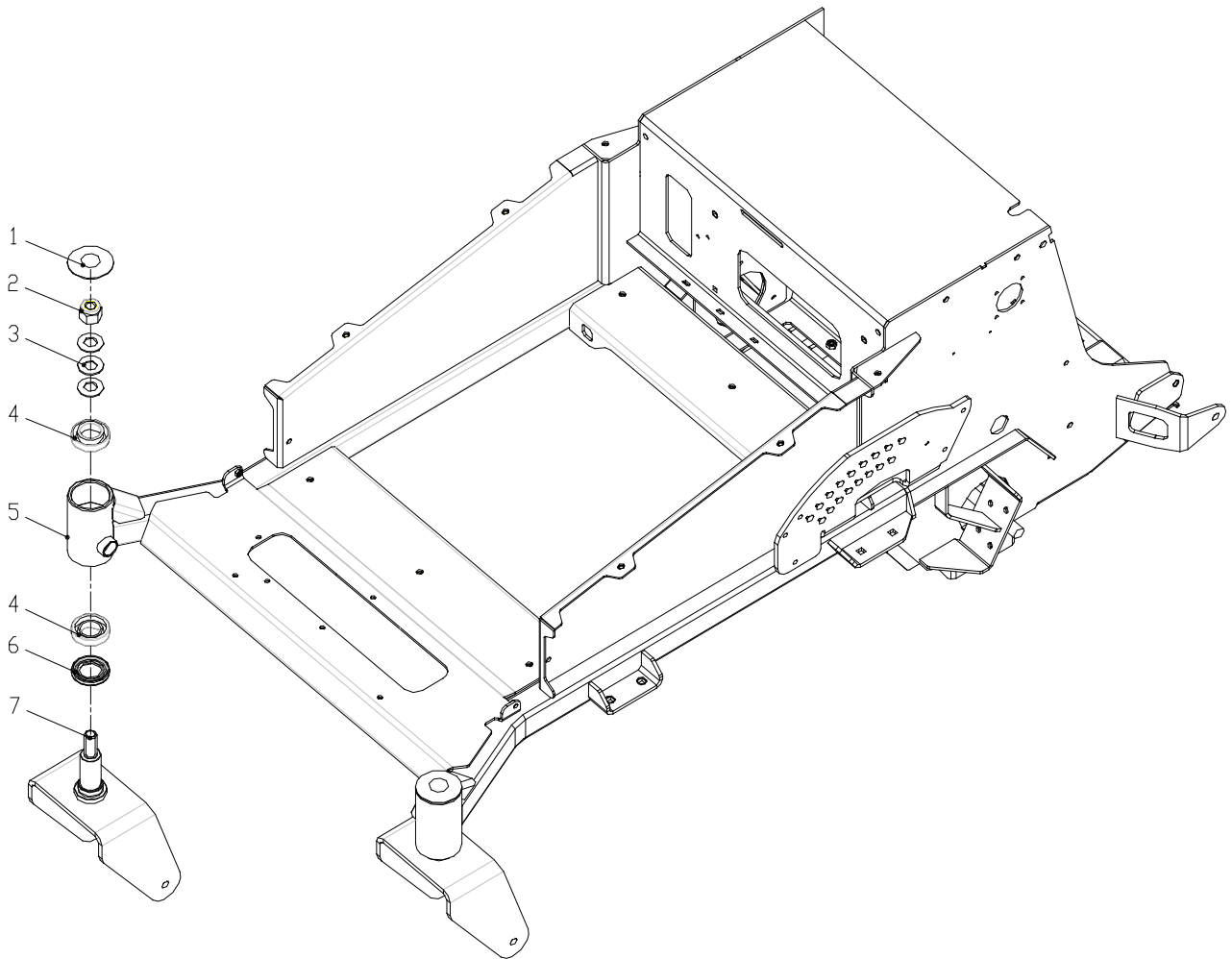
**⚠** Read all safety rules and instructions carefully before operating this tool.

# CONTENTS

CASTER ASSEMBLY.....	3
FRAME ASSEMBLY.....	5
REAR AXLE ASSEMBLY.....	8
MOWER DECK ASSEMBLY.....	10
MOWER DECK ASSEMBLY.....	12
CONTROL TOWER ASSEMBLY.....	14
LEFT HANDLE SYSTEM .....	16
RIGHT HANDLE SYSTEM.....	18
LEFT HANDLE ASSEMBLY.....	20
RIGHT HANDLE ASSEMBLY.....	22
DECKLIFT ASSEMBLY.....	24
FRONT HEIGHT ADJUSTMENT.....	26
REAR HEIGHT ADJUSTMENT.....	28
BATTERY COVER ASSEMBLY.....	30
OPERATION PAD ASSEMBLY.....	32
PLATFORM ASSEMBLY.....	34
ELECTRICAL COMPONENTS.....	36

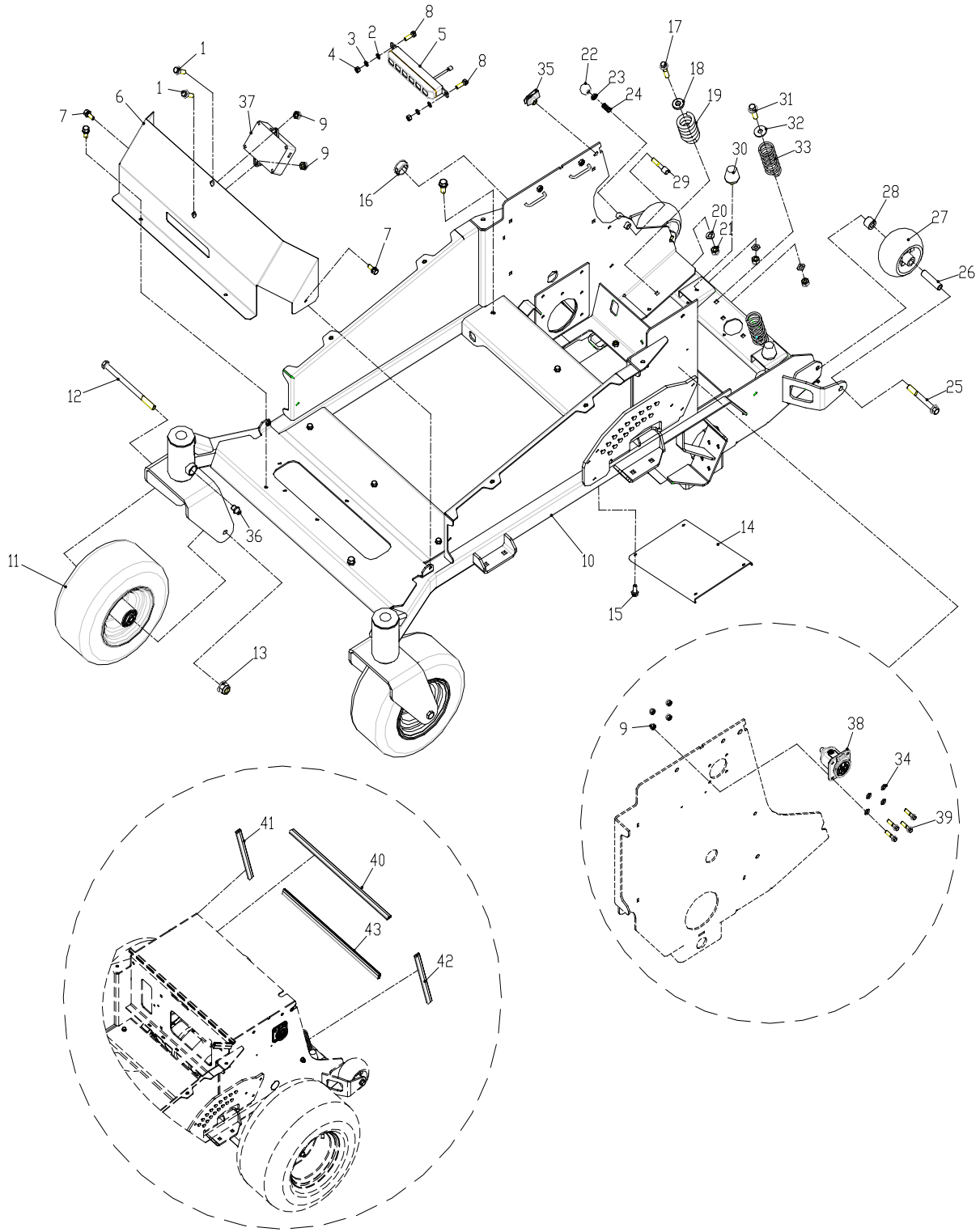
**NOTE:** *ILLUSTRATIONS MAY OR MAY NOT REPRESENT THE ACTUAL ASSEMBLIES AND IT IS NOT RECOMMENDED TO USE THIS MANUAL AS A GUIDE TO ASSEMBLE OR DISASSEMBLE THE MOWER.*

# CASTER ASSEMBLY



<b>ITEM NO.</b>	<b>PART NO.</b>	<b>DESCRIPTION</b>	<b>QTY</b>
1-1	R0200686-00	Dust cap	2
1-2	R0200372-00	Lock nut M20	2
1-3	R0200373-00	Disc spring	6
1-4	R0200374-00	Bearings	4
1-5	R0200572-00	Base weldment	1
1-6	R0200375-00	Oil seal	2
1-7	R0200696-00	Front fork weldment	2

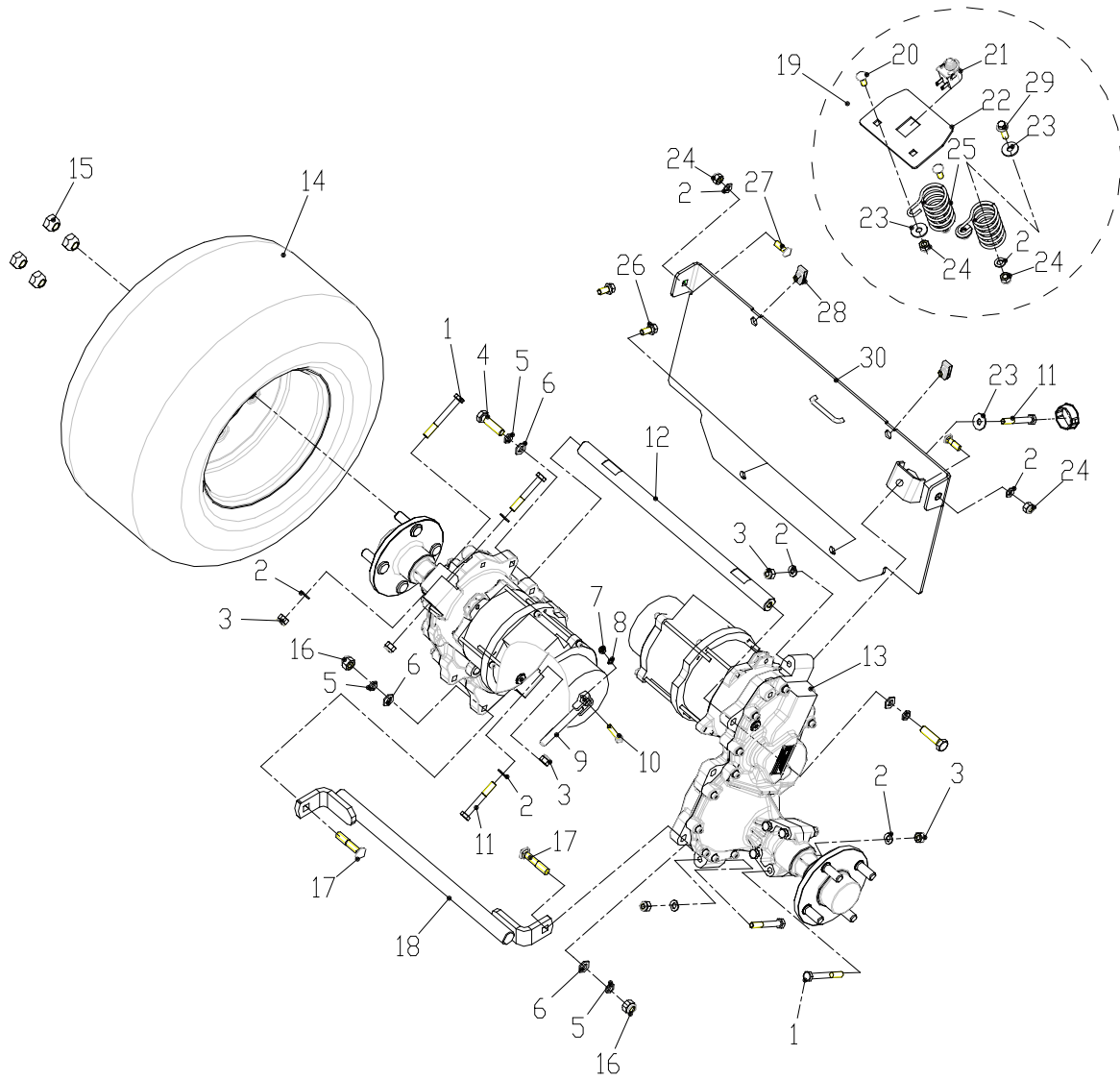
# FRAME ASSEMBLY



ITEM NO.	PART NO.	DESCRIPTION	QTY
2-1	R0200507-00	Bolt M6×20	2
2-2	R0200545-00	Washer	2
2-3	R0200538-00	Spring washer	2
2-4	R0200511-00	Nut M5	2
2-5	R0200668-00	LED light	1
2-6	R0200574-00	Front weldment	1
2-7	R0200532-00	Bolt assembly	4
2-8	R0200551-00	Bolt M5×16	2
2-9	R0200518-00	Lock nut M6	6
2-10	R0200489-00	Frame assembly	1
2-11	R0200711-00	Front wheel assembly	2
2-12	R0200360-00	Bolt M12×190	2
2-13	R0200369-00	Lock nut M12	2
2-14	R0200466-00	Bottom plate	1
2-15	R0200534-00	Bolt assembly	10
2-16	R0200391-00	Cap	2
2-17	R0200349-00	Bolt M8×35	2
2-18	R0200348-00	Spring washer	2
2-19	R0200695-00	Spring	2
2-20	R0200548-00	Washer	6
2-21	R0200520-00	Lock nut M8	6
2-22	R0200552-00	Handle ball type A M10×20	1
2-23	R0200553-00	Nut M10	1
2-24	R0200608-00	Spring	1
2-25	R0200505-00	Bolt M12×100	2
2-26	R0200691-00	Roller shaft	2

ITEM NO.	PART NO.	DESCRIPTION	QTY
2-27	R0200363-00	Roller wheel	2
2-28	R0200692-00	Spacer	2
2-29	R0200609-00	Pin latch	1
2-30	R0200710-00	Rubber cushion	2
2-31	R0200398-00	Bolt M8×25	2
2-32	R0200541-00	Washer	2
2-33	R0200697-00	Spring	2
2-34	R0200547-00	Washer	4
2-35	R0200549-00	Nut M8	2
2-36	R0200684-00	Grease zerk M6	2
2-37	R0200622-00	GPS	1
2-38	R0200729-00	Charger plug	1
2-39	R0200570-00	Screw M6×25	4
2-40	R0200619-00	Rubber strip	0.57 m
2-41	R0200619-00	Rubber strip	0.28 m
2-42	R0200619-00	Rubber strip	0.28 m
2-43	R0200619-00	Rubber strip	0.56 m

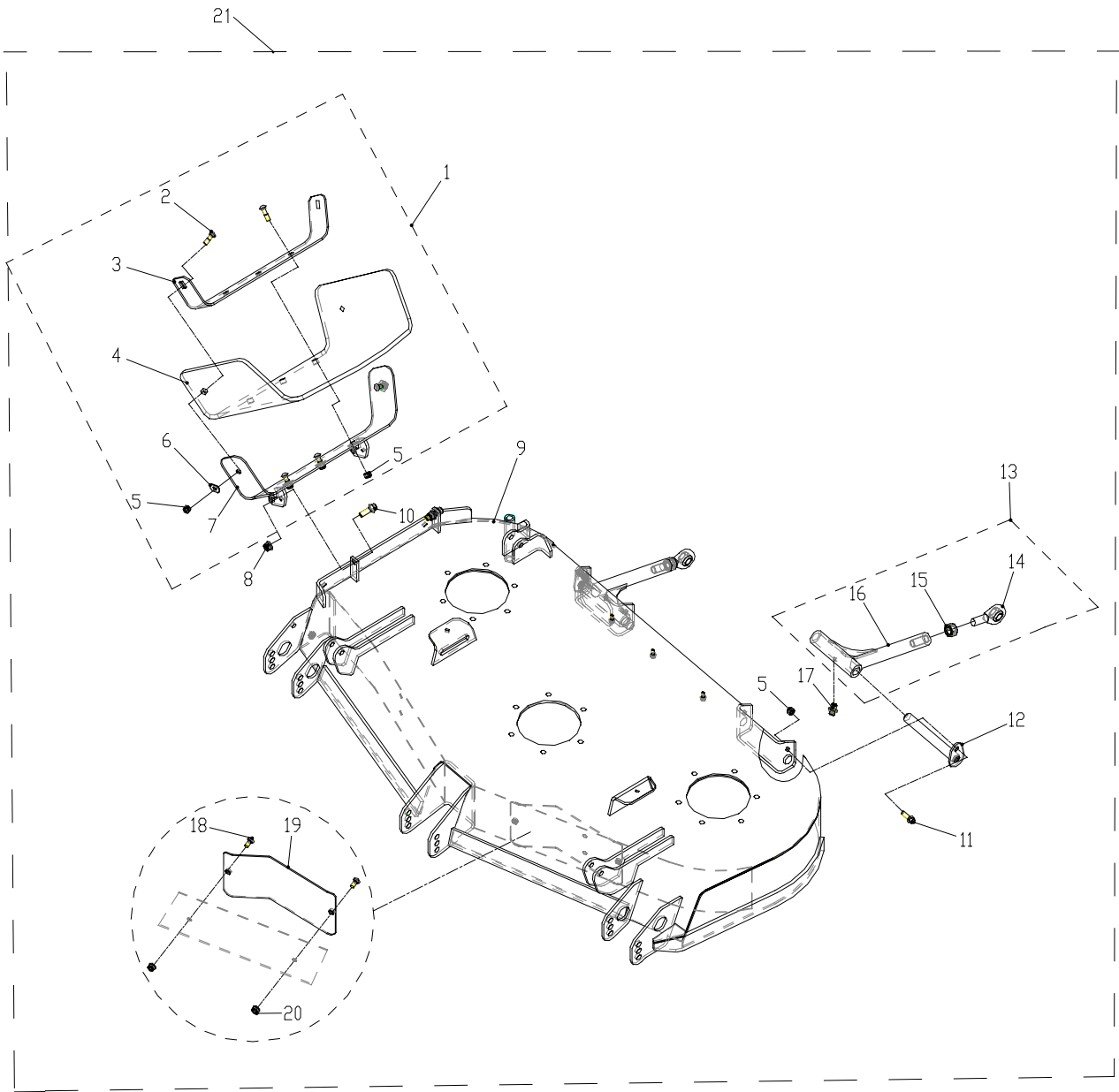
# REAR AXLE ASSEMBLY





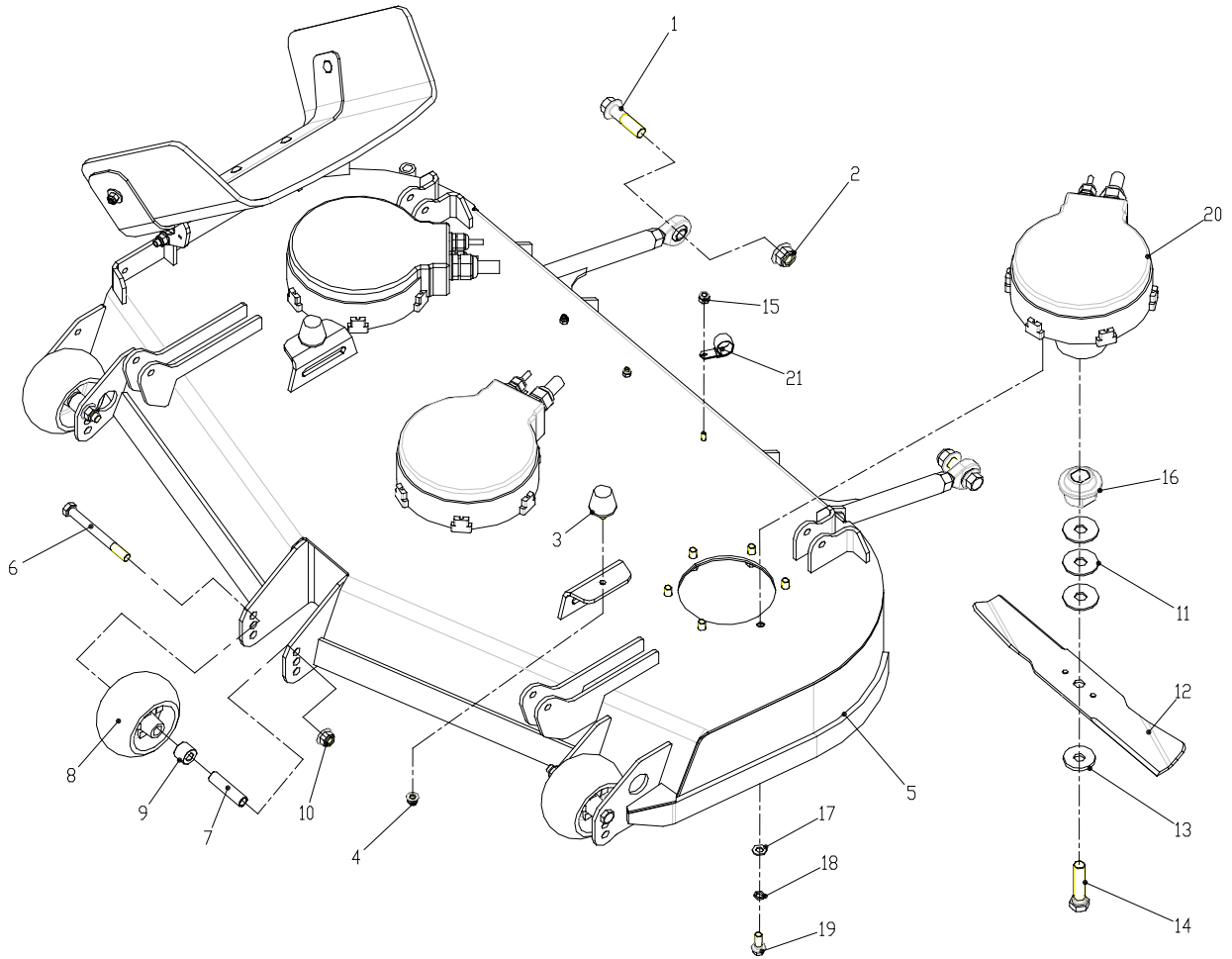
ITEM NO.	PART NO.	DESCRIPTION	QTY
3-1	R0200567-00	Bolt M8×70	8
3-2	R0200548-00	Washer	16
3-3	R0200569-00	Lock nut M8	12
3-4	R0200495-00	Bolt M10×40	2
3-5	R0200499-00	Spring washer	4
3-6	R0200502-00	Washer	4
3-7	R0200554-00	Nut M4	2
3-8	R0200536-00	Spring washer	2
3-9	R0200476-00	Neutral Lever	2
3-10	R0200500-00	Screw M4×25	2
3-11	R0200568-00	Bolt M8×60	4
3-12	R0200573-00	Support rod weldment	1
3-13	R0200667-00	Drive motor assembly	2
3-14	R0200666-00	Rear wheel	2
3-15	R0200368-00	Nut 1/2-20UNF	8
3-16	R0200514-00	Lock nut M10	2
3-17	R0200525-00	Bolt M10×50	2
3-18	R0200474-00	Support rod weldment	1
3-19	R0200673-00	Compression spring assembly	1
3-20	R0200526-00	Bolt M8×20	2
3-21	R0200366-00	Parking switch	1
3-22	R0200441-00	Spring plate	1
3-23	R0200541-00	Washer	4
3-24	R0200520-00	Lock nut M8	6
3-25	R0200347-00	Spring	2
3-26	R0200534-00	Bolt assembly	2
3-27	R0200527-00	Bolt M8×25	2
3-28	R0200549-00	Clip nut M8	2
3-29	R0200398-00	Bolt M8×25	2
3-30	R0200576-00	Rear cover	1

# MOWER DECK ASSEMBLY



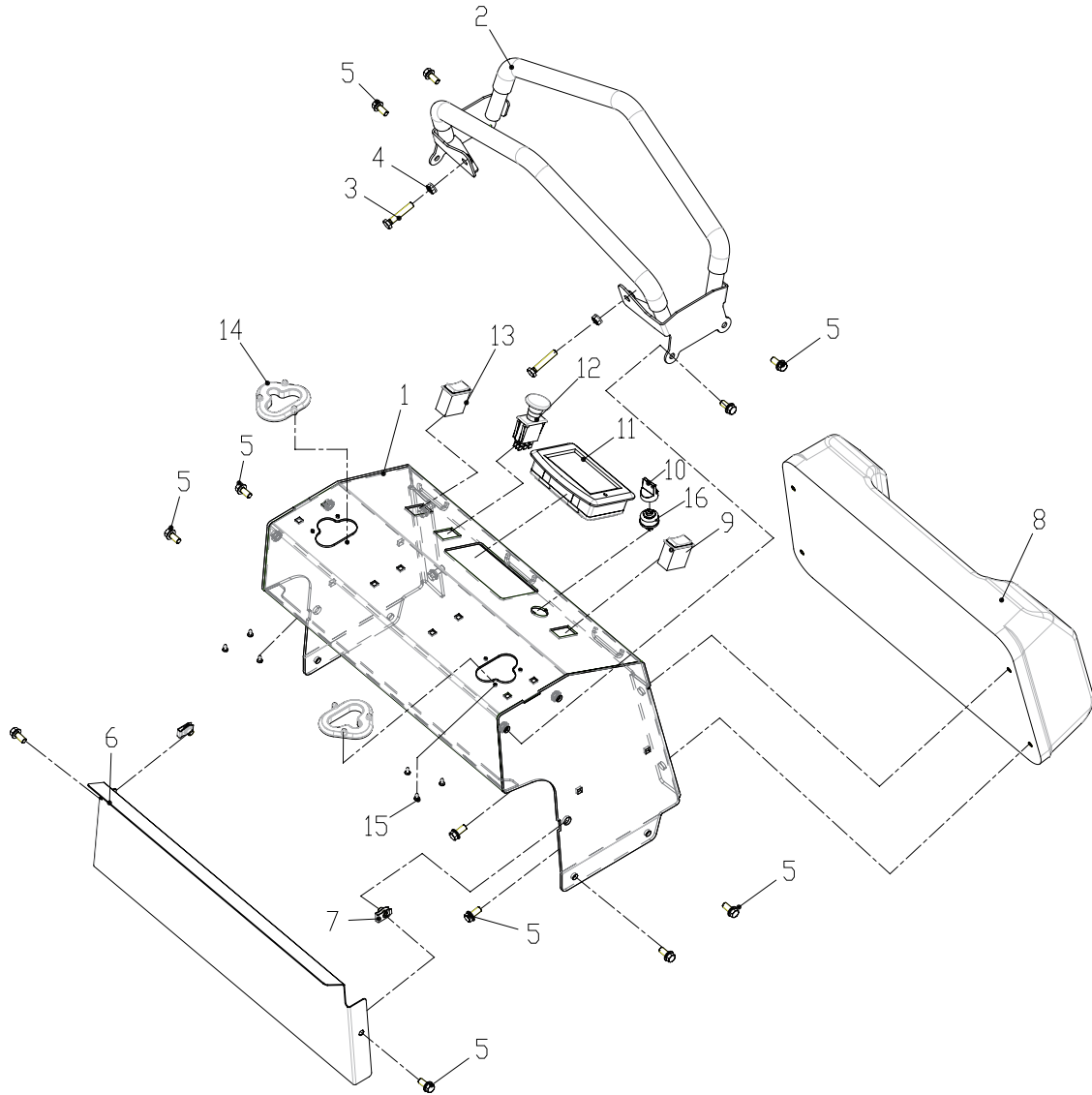
ITEM NO.	PART NO.	DESCRIPTION	QTY
4-1	R0200764-00	Deflector assembly	1
4-2	R0200528-00	Bolt M8×30	5
4-3	3330081523	Lower bracket	1
4-4	3420011523	Deflector	1
4-5	R0200520-00	Lock nut M8	7
4-6	R0200541-00	Washer	5
4-7	3320231523	Upper bracket weldment	1
4-8	R0200557-00	Lock nut M10	2
4-9	3320221523	Deck weldment 48	1
4-10	R0200550-00	Bolt M10×30	2
4-11	R0200398-00	Bolt M8×25	2
4-12	R0200591-00	Support pin weldment	2
4-13	R0200674-00	Tie rod assembly	2
4-14	R0200407-00	Rod end M16	2
4-15	R0200406-00	Nut M16	2
4-16	R0200577-00	Tie rod weldment	2
4-17	R0200684-00	Grease zerk M6	2
4-18	R0200526-00	Bolt M8×20	2
4-19	3330101523	Air plate	1
4-20	R0200558-00	Lock nut M8	2
4-21	311551523	Deck weldment assembly 48	1

# MOWER DECK ASSEMBLY



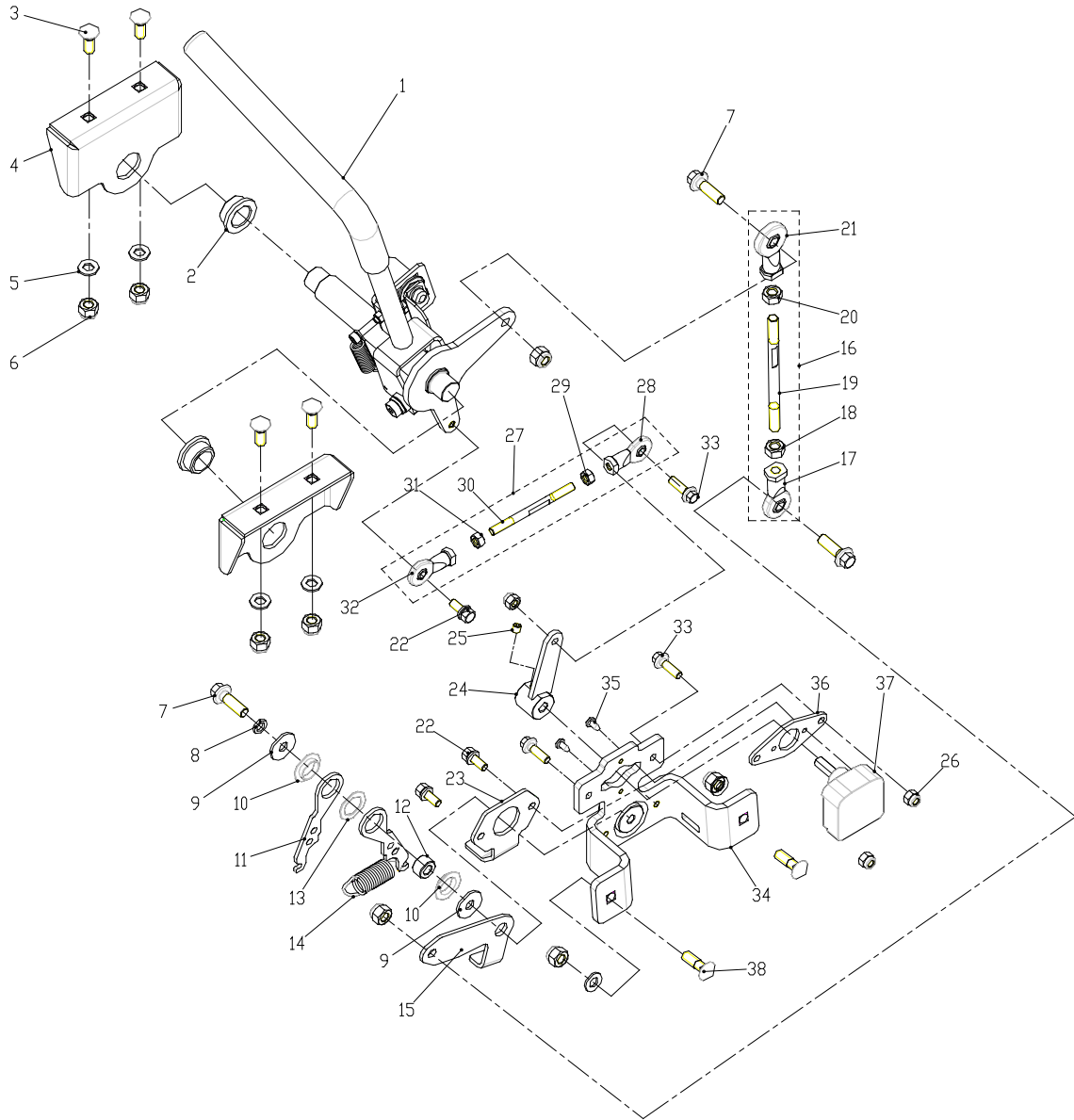
ITEM NO.	PART NO.	DESCRIPTION	QTY
5-1	R0200408-00	Bolt M16×60	2
5-2	R0200409-00	Lock nut M16	2
5-3	R0200710-00	Rubber bumper	2
5-4	R0200496-00	Lock nut M8	2
5-5	311551523	Deck weldment aseembly 48 (See 4-21)	1
5-6	R0200359-00	Bolt M12×120	3
5-7	R0200691-00	Roller spacer	3
5-8	R0200363-00	Roller wheel	3
5-9	R0200692-00	Spacer	3
5-10	R0200523-00	Lock nut M12	3
5-11	R0200339-00	Washer	9
5-12	R0200705-00	16.25" Blade	3
5-13	R0200365-00	Blade washer	3
5-14	R0200364-00	Bolt M16×70	3
5-15	R0200518-00	Lock nut M6	3
5-16	R0200693-00	Blade collar	3
5-17	R0200502-00	Washer	18
5-18	R0200499-00	Spring washer	18
5-19	R0200501-00	Bolt M10×25	18
5-20	R0200714-00	Blade motor	3
5-21	R0200412-00	Hose clamp	3

# CONTROL TOWER ASSEMBLY



ITEM NO.	PART NO.	DESCRIPTION	QTY
6-1	R0200606-00	Control tower weldment	1
6-2	R0200413-00	Control stop weldment	1
6-3	R0200498-00	Bolt M8×45	2
6-4	R0200513-00	Nut M8	2
6-5	R0200534-00	Bolt assembly	14
6-6	R0200443-00	Baffle	1
6-7	R0200549-00	Nut M8	2
6-8	R0200682-00	Operation pad top	1
6-9	R0200719-00	Switch high and low gear	1
6-10	R0200763-00	Key	1
6-11	R0200728-00	Display LCD	1
6-12	R0200717-00	PTO switch	1
6-13	R0200721-00	Blade switch high and low speed	1
6-14	R0200414-00	Guide control arm	2
6-15	R0200565-00	Screw ST4.2×10	6
6-16	R0200430-00	Ignition switch (with key)	1

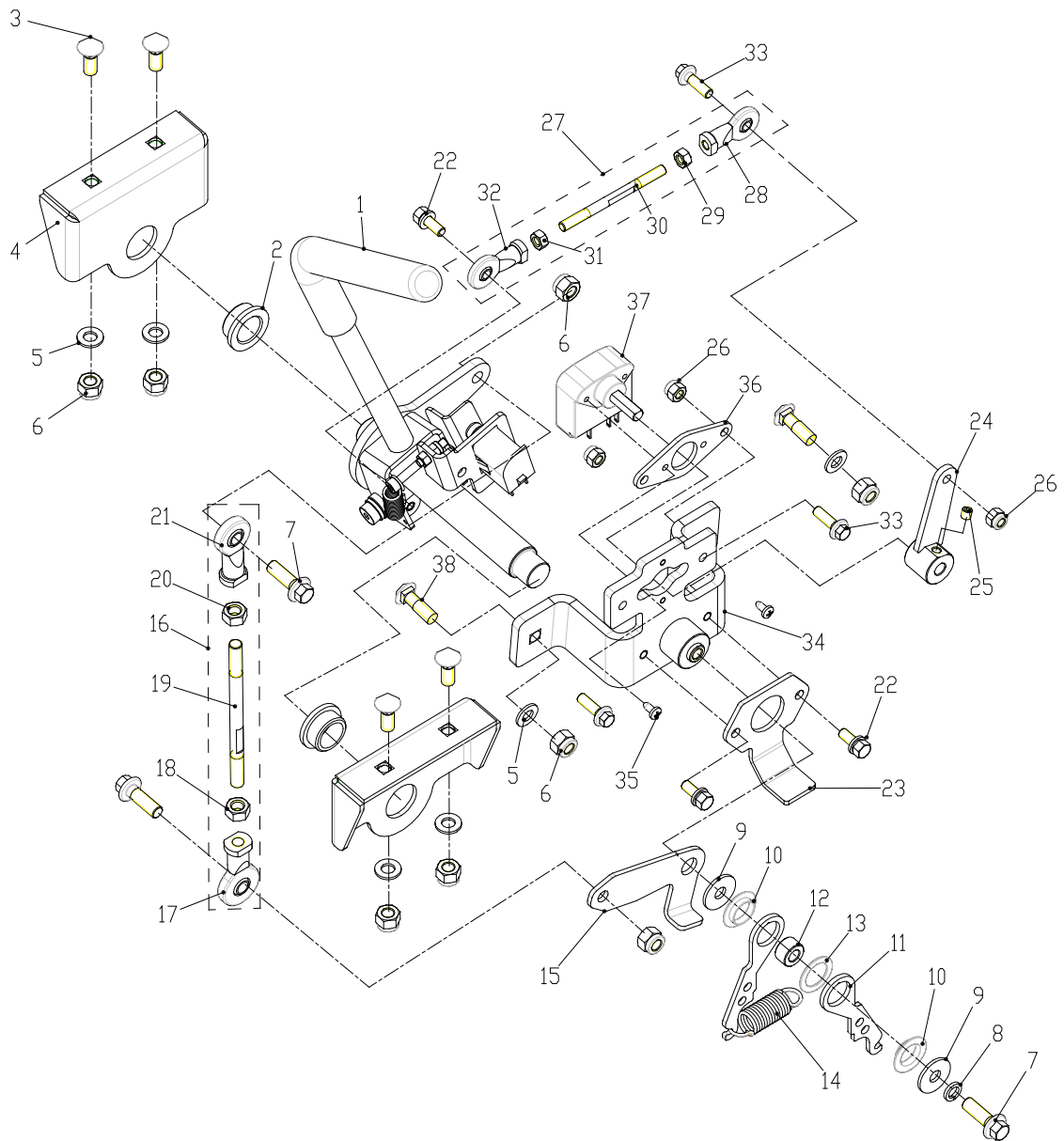
# LEFT HANDLE SYSTEM





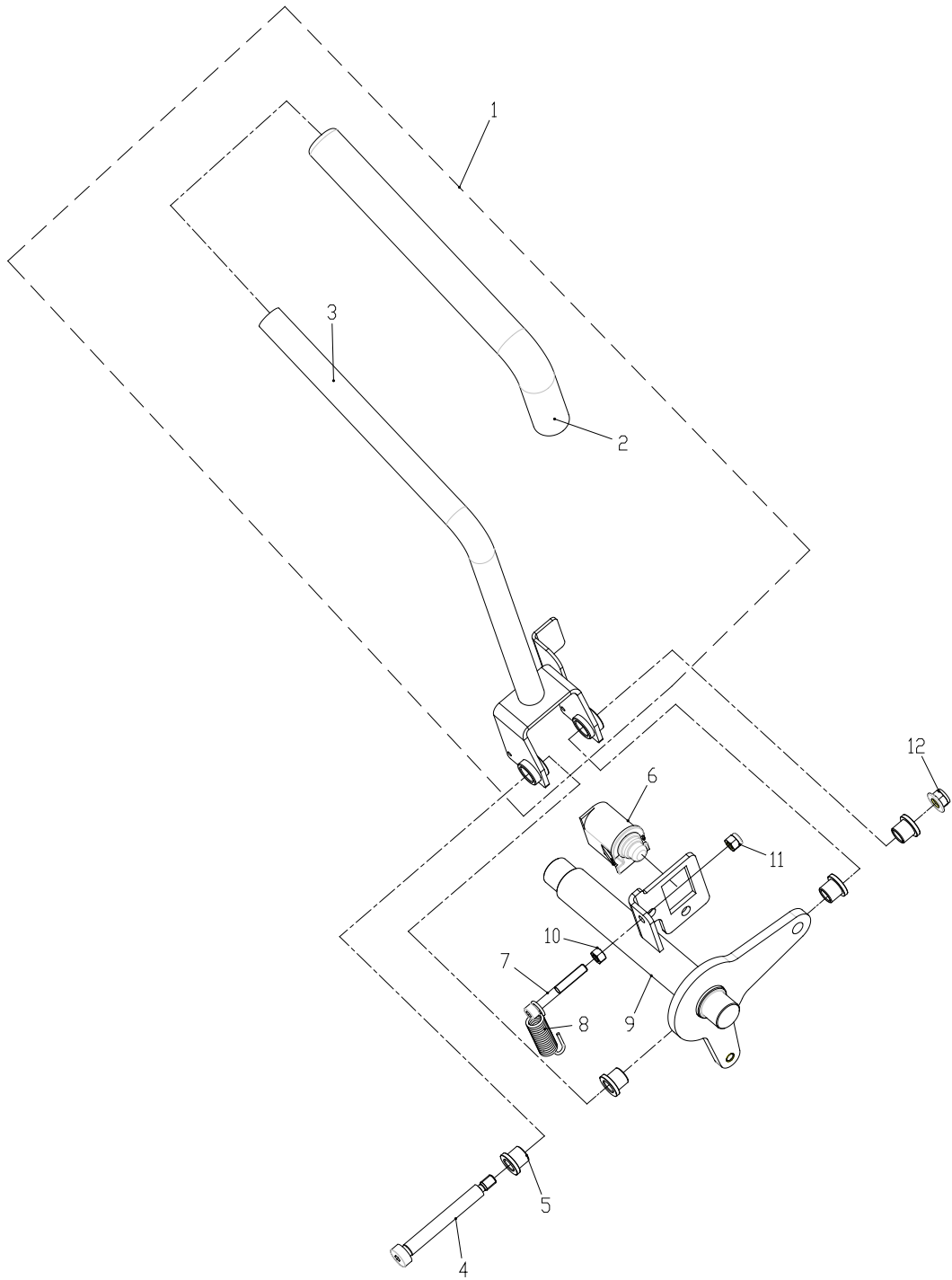
ITEM NO.	PART NO.	DESCRIPTION	QTY
7-1	R0200678-00	Left control assembly	1
7-2	R0200614-00	Powder metallurgy bearing	2
7-3	R0200526-00	Bolt M8×20	4
7-4	R0200456-00	Mounting Bracket	2
7-5	R0200548-00	Washer	6
7-6	R0200520-00	Lock nut M8	8
7-7	R0200398-00	Bolt M8×25	3
7-8	R0200540-00	Spring washer	1
7-9	R0200541-00	Washer	2
7-10	R0200389-00	Spacer collar	2
7-11	R0200434-00	Spring hanging plate	2
7-12	R0200585-00	Sleeve	1
7-13	R0200388-00	Nylon washer	1
7-14	R0200356-00	Return spring	1
7-15	R0200436-00	Left rotating plate	1
7-16	R0200490-00	Linkage	1
7-17	R0200381-00	Rod end M6	1
7-18	R0200382-00	Nut M6	1
7-19	R0200475-00	Adjustment screw	1
7-20	R0200383-00	Nut M6 ( reverse )	1
7-21	R0200361-00	Rod end M6 ( reverse )	1
7-22	R0200532-00	Bolt assembly	3
7-23	R0200435-00	Limit plate	1
7-24	R0200599-00	Shaft weldment	1
7-25	R0200564-00	Screw M6×6	1
7-26	R0200518-00	Lock nut M6	3
7-27	R0200491-00	Return link	1
7-28	R0200387-00	Rod end M8	1
7-29	R0200519-00	Nut M8	1
7-30	R0200477-00	Return rod	1
7-31	R0200563-00	Nut M8	1
7-32	R0200394-00	Rod end M8	1
7-33	R0200507-00	Bolt M6×20	3
7-34	R0200594-00	Left mounting bracket	1
7-35	R0200565-00	Screw ST4.2×10	2
7-36	R0200433-00	Accelerator connection plate	1
7-37	R0200354-00	Accelerator sensor	1
7-38	R0200527-00	Bolt M8×25	2

# RIGHT HANDLE SYSTEM



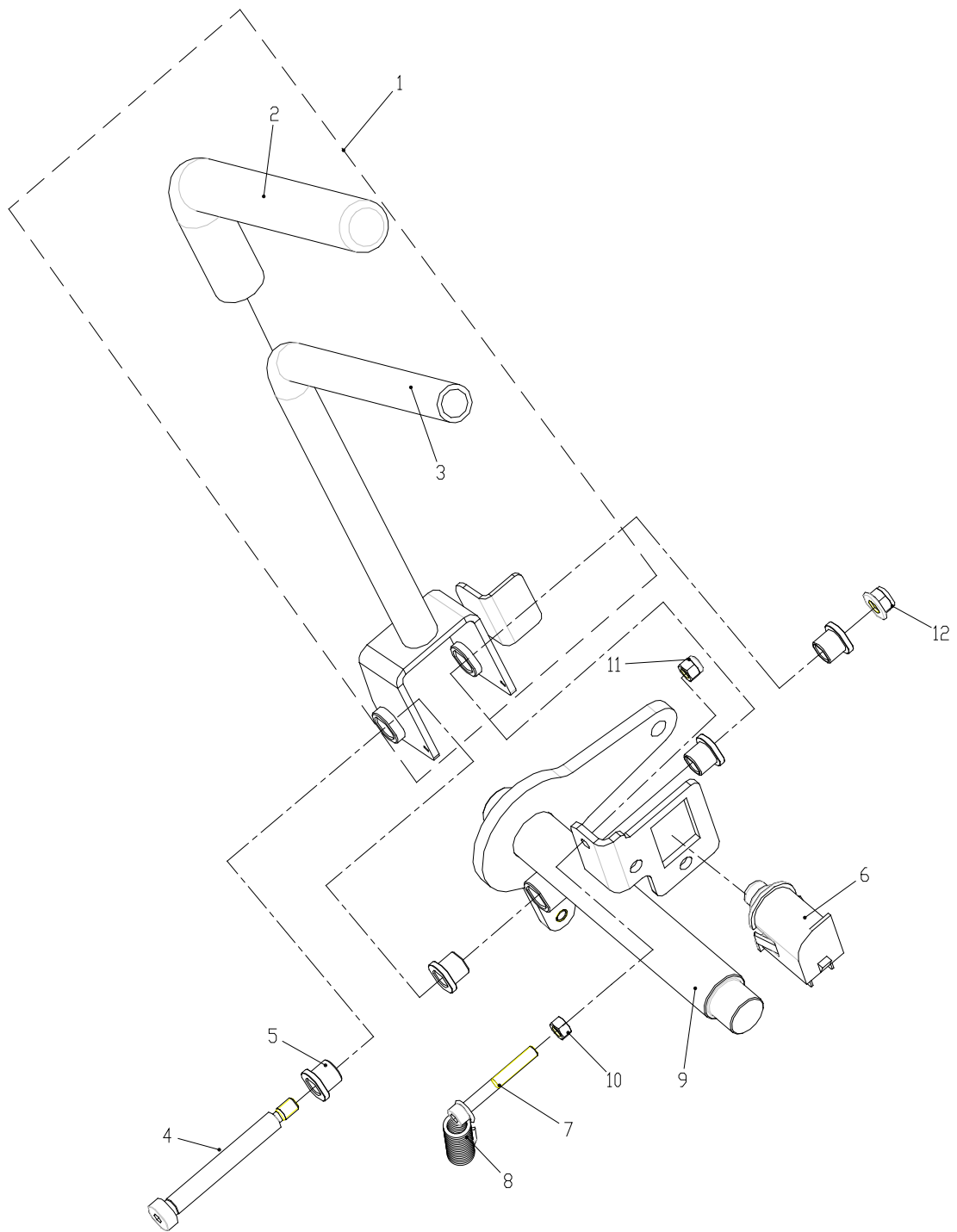
ITEM NO.	PART NO.	DESCRIPTION	QTY
8-1	R0200675-00	Right control assembly	1
8-2	R0200614-00	Powder metallurgy bearing	2
8-3	R0200526-00	Bolt M8×20	4
8-4	R0200456-00	Mounting Bracket	2
8-5	R0200548-00	Washer	6
8-6	R0200520-00	Lock nut M8	8
8-7	R0200398-00	Bolt M8×25	3
8-8	R0200540-00	Spring washer	1
8-9	R0200541-00	Washer	2
8-10	R0200389-00	Spacer collar	2
8-11	R0200434-00	Spring hanging plate	2
8-12	R0200585-00	Sleeve	1
8-13	R0200388-00	Nylon washer	1
8-14	R0200356-00	Return spring	1
8-15	R0200415-00	Right rotating plate	1
8-16	R0200490-00	Linkage	1
8-17	R0200381-00	Rod end M6	1
8-18	R0200382-00	Nut M6	1
8-19	R0200475-00	Adjustment screw	1
8-20	R0200383-00	Nut M6 ( reverse )	1
8-21	R0200361-00	Rod end M6 ( reverse )	1
8-22	R0200532-00	Bolt assembly	3
8-23	R0200435-00	Limit plate	1
8-24	R0200599-00	Shaft weldment	1
8-25	R0200564-00	Screw M6×6	1
8-26	R0200518-00	Lock nut M6	3
8-27	R0200491-00	Return link	1
8-28	R0200387-00	Rod end M8	1
8-29	R0200519-00	Nut M8	1
8-30	R0200477-00	Return rod	1
8-31	R0200563-00	Nut M8	1
8-32	R0200394-00	Rod end M8	1
8-33	R0200507-00	Bolt M6×20	3
8-34	R0200416-00	Right mounting Bracket	1
8-35	R0200565-00	Screw ST4.2×10	2
8-36	R0200433-00	Accelerator connection plate	1
8-37	R0200354-00	Accelerator sensor	1
8-38	R0200527-00	Bolt M8×25	2

# LEFT HANDLE ASSEMBLY



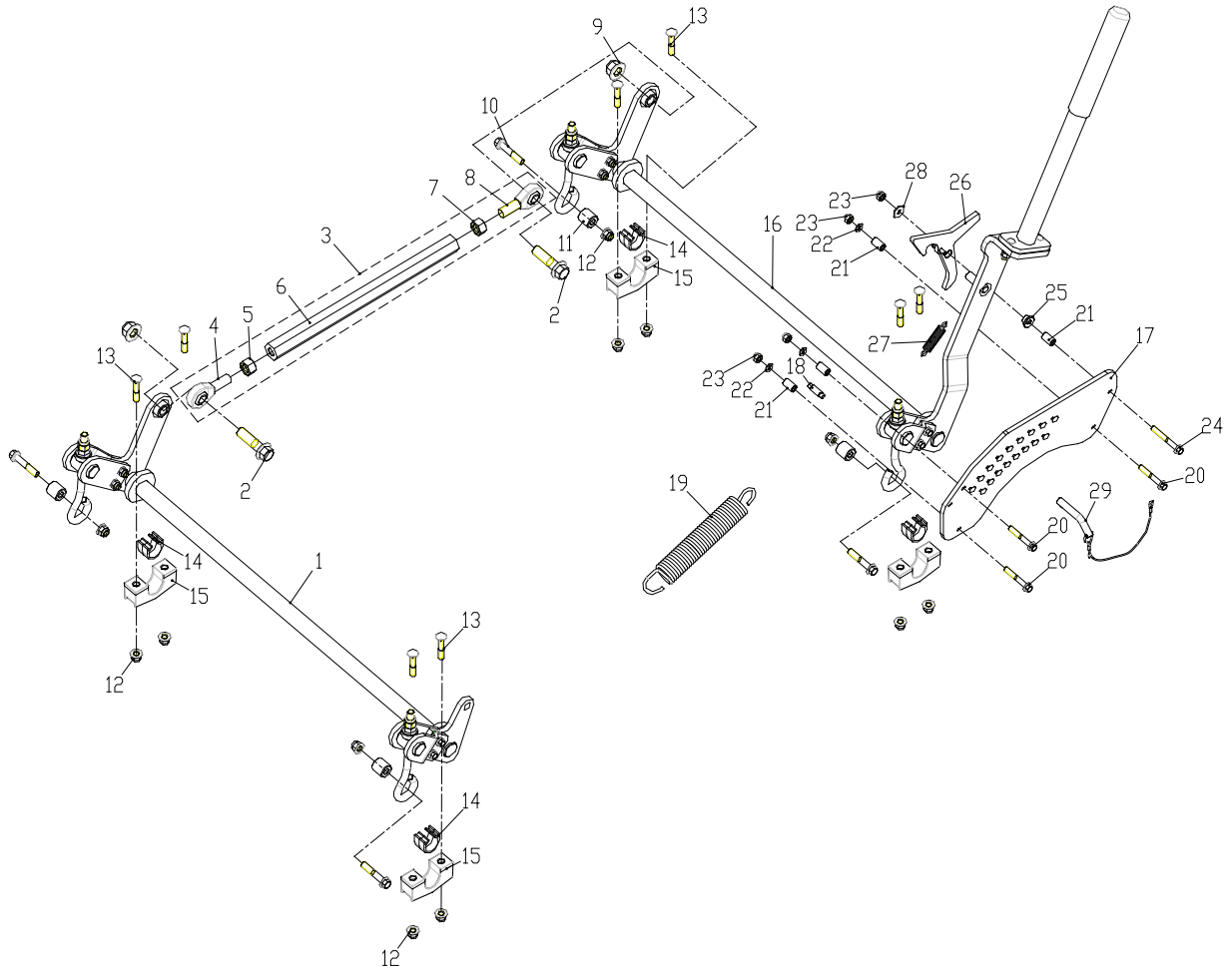
ITEM NO.	PART NO.	DESCRIPTION	QTY
9-1	R0200679-00	Left handle	1
9-2	R0200417-00	Left steering handle weldment	1
9-3	R0200418-00	Joystick cover	1
9-4	R0200562-00	Screw M8×60	1
9-5	R0200611-00	Bushing	4
9-6	R0200366-00	Parking switch	1
9-7	R0200524-00	Screw M5×40	1
9-8	R0200600-00	Spring	1
9-9	R0200604-00	Left shaft weldment	1
9-10	R0200511-00	Nut M5	1
9-11	R0200517-00	Lock nut M5	1
9-12	R0200522-00	Lock nut M6	1

# RIGHT HANDLE ASSEMBLY



ITEM NO.	PART NO.	DESCRIPTION	QTY
10-1	R0200676-00	Right handle	1
10-2	R0200419-00	Right steering handle weldment	1
10-3	R0200418-00	Joystick cover	1
10-4	R0200562-00	Screw M8×60	1
10-5	R0200611-00	Bushing	4
10-6	R0200366-00	Parking switch	1
10-7	R0200524-00	Screw M5×40	1
10-8	R0200600-00	Spring	1
10-9	R0200420-00	Right shaft weldment	1
10-10	R0200511-00	Nut M5	1
10-11	R0200517-00	Lock nut M5	1
10-12	R0200522-00	Lock nut M6	1

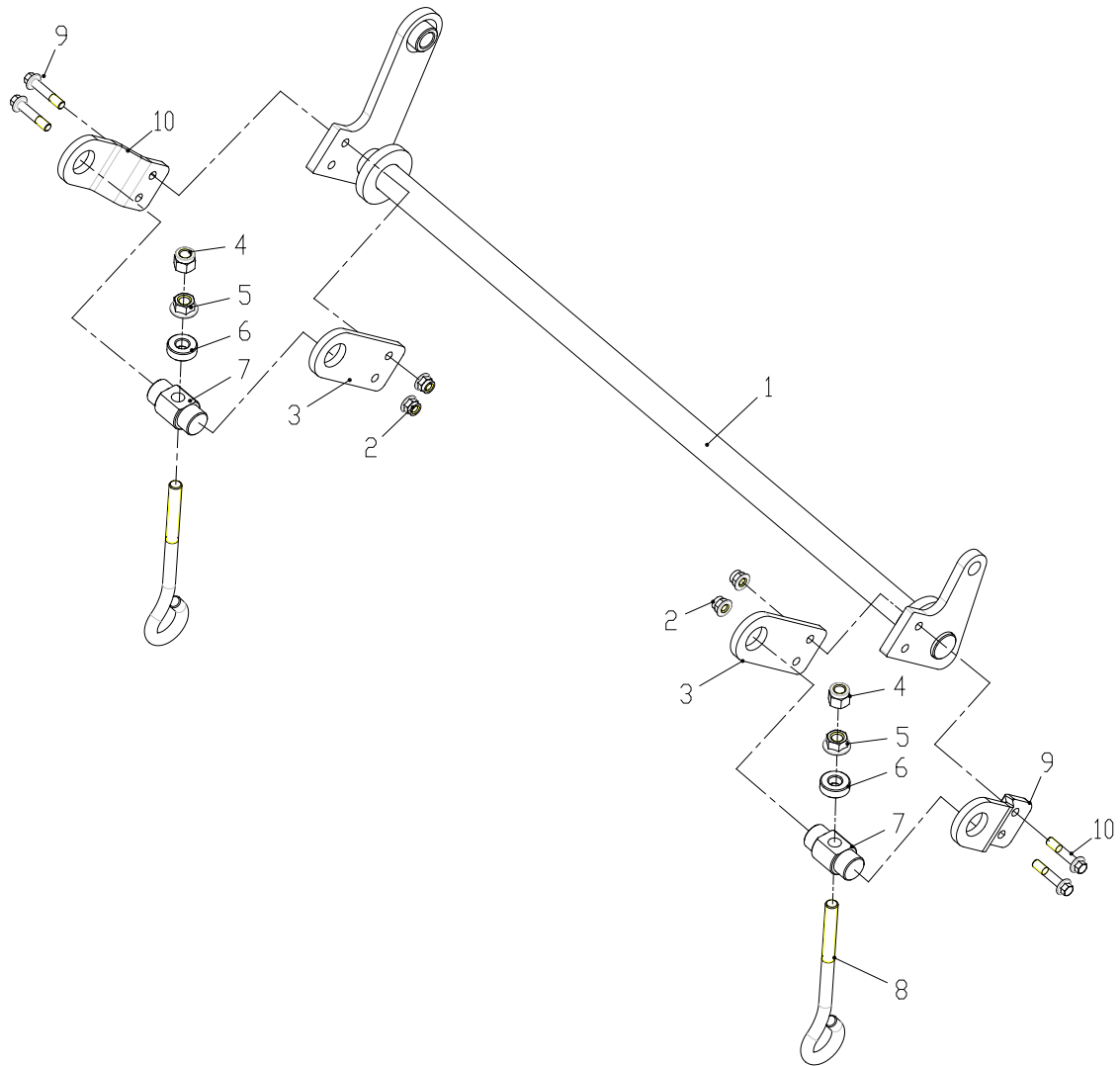
# DECKLIFT ASSEMBLY





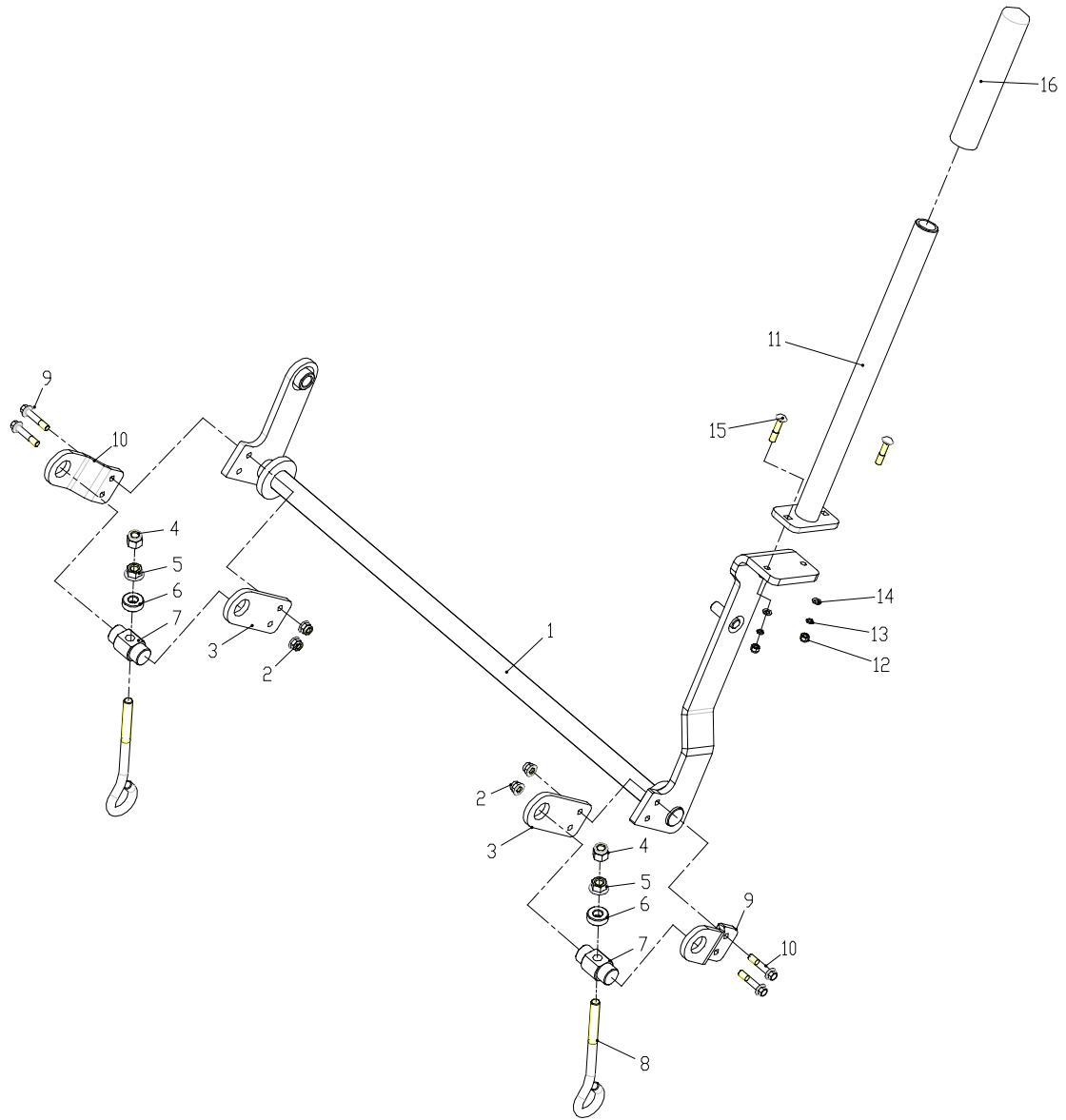
ITEM NO.	PART NO.	DESCRIPTION	QTY
11-1	R0200346-00	Front height adjustment	1
11-2	R0200408-00	Bolt M16×60	2
11-3	311611523	Link	1
11-4	R0200407-00	Rod end M16 (SABJK16C)	1
11-5	R0200406-00	Nut M16	1
11-6	3320201523	Rod	1
11-7	R0200422-00	Nut M16	1
11-8	R0200423-00	Rod end M16 (SALBJK16C)	1
11-9	R0200409-00	Lock nut M16	2
11-10	R0200503-00	Bolt M10×55	4
11-11	R0200701-00	Spacer	4
11-12	R0200521-00	Lock nut	12
11-13	R0200525-00	Bolt M10×50	8
11-14	R0200737-00	Collar	4
11-15	R0200586-00	Fixed mount	4
11-16	R0200343-00	Rear height adjustment	1
11-17	R0200342-00	Height adjustment board	1
11-18	R0200424-00	Spring pin	1
11-19	3320161523	Booster	1
11-20	R0200508-00	Bolt M8×55	3
11-21	R0200590-00	Bushing	4
11-22	R0200548-00	Washer	3
11-23	R0200520-00	Lock nut M8	4
11-24	R0200510-00	Bolt M8×65	1
11-25	R0200601-00	Bushing	1
11-26	R0200602-00	Self-locking swing arm weldment	1
11-27	R0200341-00	Return spring	1
11-28	R0200541-00	Large washer	1
11-29	R0200487-00	Pin and leash	1

# FRONT HEIGHT ADJUSTMENT



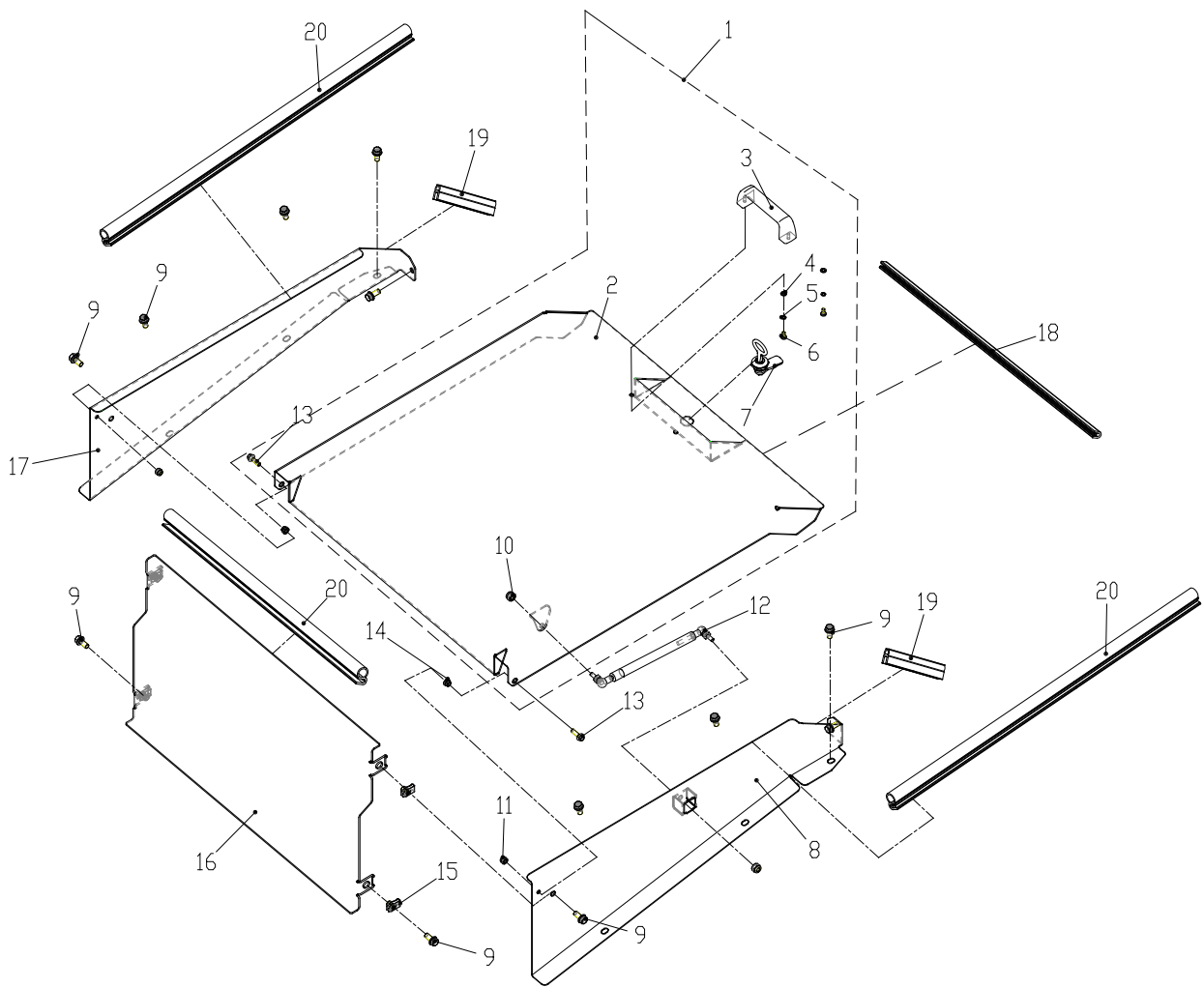
ITEM NO.	PART NO.	DESCRIPTION	QTY
12-1	R0200689-00	Front cross shaft	1
12-2	R0200496-00	Lock nut M8	4
12-3	R0200706-00	Inner mounting plate	2
12-4	R0200515-00	Lock nut M12	2
12-5	R0200559-00	Nut M12	2
12-6	R0200700-00	Collar	2
12-7	R0200699-00	Pin	2
12-8	R0200702-00	Eyebolt	2
12-9	R0200707-00	Outer mounting plate	2
12-10	R0200560-00	Bolt M8×40	4

# REAR HEIGHT ADJUSTMENT



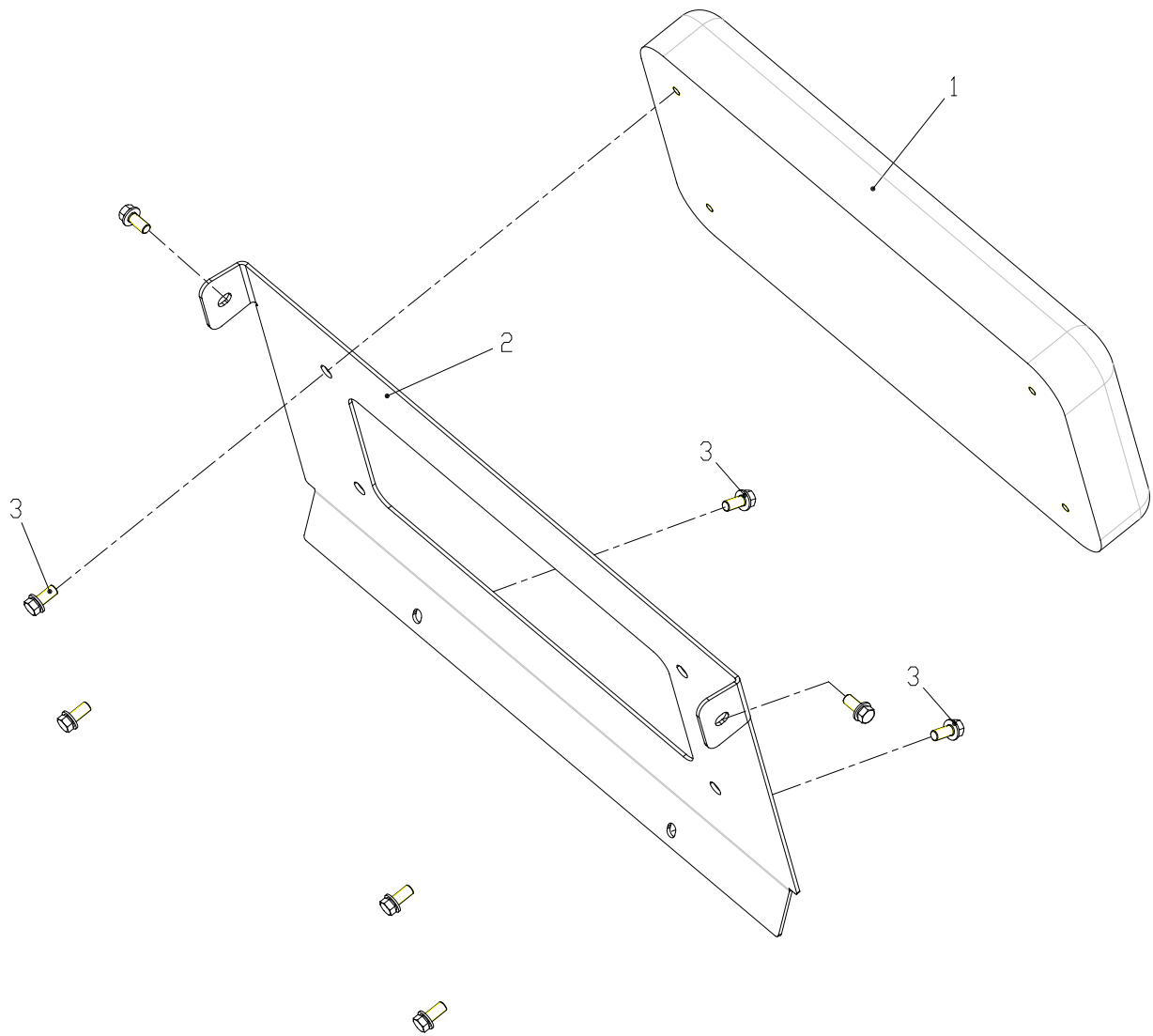
ITEM NO.	PART NO.	DESCRIPTION	QTY
13-1	R0200688-00	Rear cross shaft, declift	1
13-2	R0200496-00	Lock nut M8	4
13-3	R0200706-00	Inner mounting plate	2
13-4	R0200515-00	Lock nut M12	2
13-5	R0200559-00	Nut M12	2
13-6	R0200700-00	Collar	2
13-7	R0200699-00	Pin	2
13-8	R0200702-00	Eyebolt	2
13-9	R0200707-00	Outer mounting plate	2
13-10	R0200560-00	Bolt M8×40	4
13-11	R0200340-00	Upper lift handle	1
13-12	R0200520-00	Lock nut M8	2
13-13	R0200540-00	Spring washer	2
13-14	R0200548-00	Washer	2
13-15	R0200561-00	Bolt M8×35	2
13-16	R0200338-00	Lift handle	1

# BATTERY COVER ASSEMBLY



ITEM NO.	PART NO.	DESCRIPTION	QTY
14-1	R0200480-00	Cover assembly , Battery	1
14-2	R0200613-00	Cover weldment , Battery	1
14-3	R0200612-00	Handle , A.5 (GL)	1
14-4	R0200538-00	Spring washer	2
14-5	R0200545-00	Washer	2
14-6	R0200555-00	Screw M5×10	2
14-7	R0200399-00	Rotary tongue lock	1
14-8	R0200439-00	Left side plate weldment	1
14-9	R0200534-00	Bolt assembly	12
14-10	R0200520-00	Lock nut M8	2
14-11	R0200518-00	Lock nut M6	2
14-12	R0200400-00	Gas shock	1
14-13	R0200507-00	Bolt M6×20	2
14-14	R0200597-00	Bushing	2
14-15	R0200549-00	Reed nut M8	4
14-16	R0200450-00	Front plate	1
14-17	R0200453-00	Right side panel	1
14-18	R0200619-00	Rubber strip	0.61 m
14-19	R0200620-00	Thin bumper strip	0.2 m
14-20	R0200621-00	Rubber strip	1.8 m

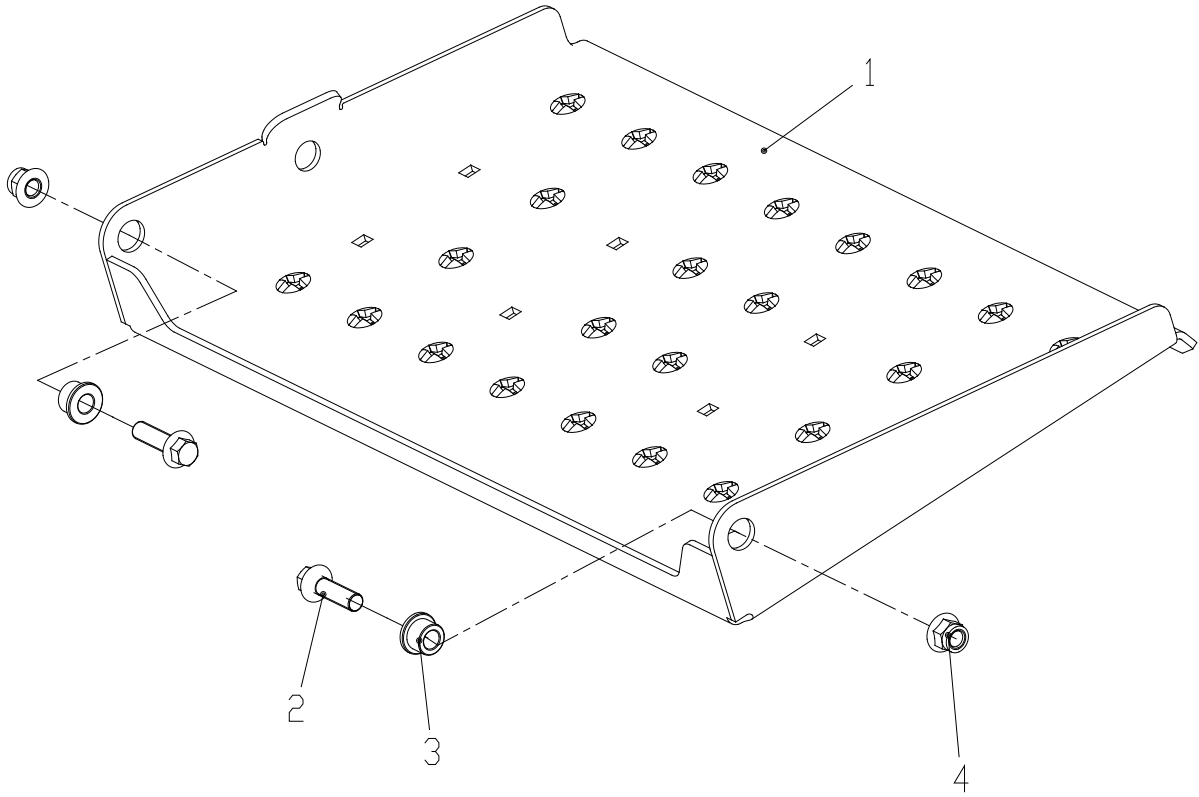
# OPERATION PAD ASSEMBLY





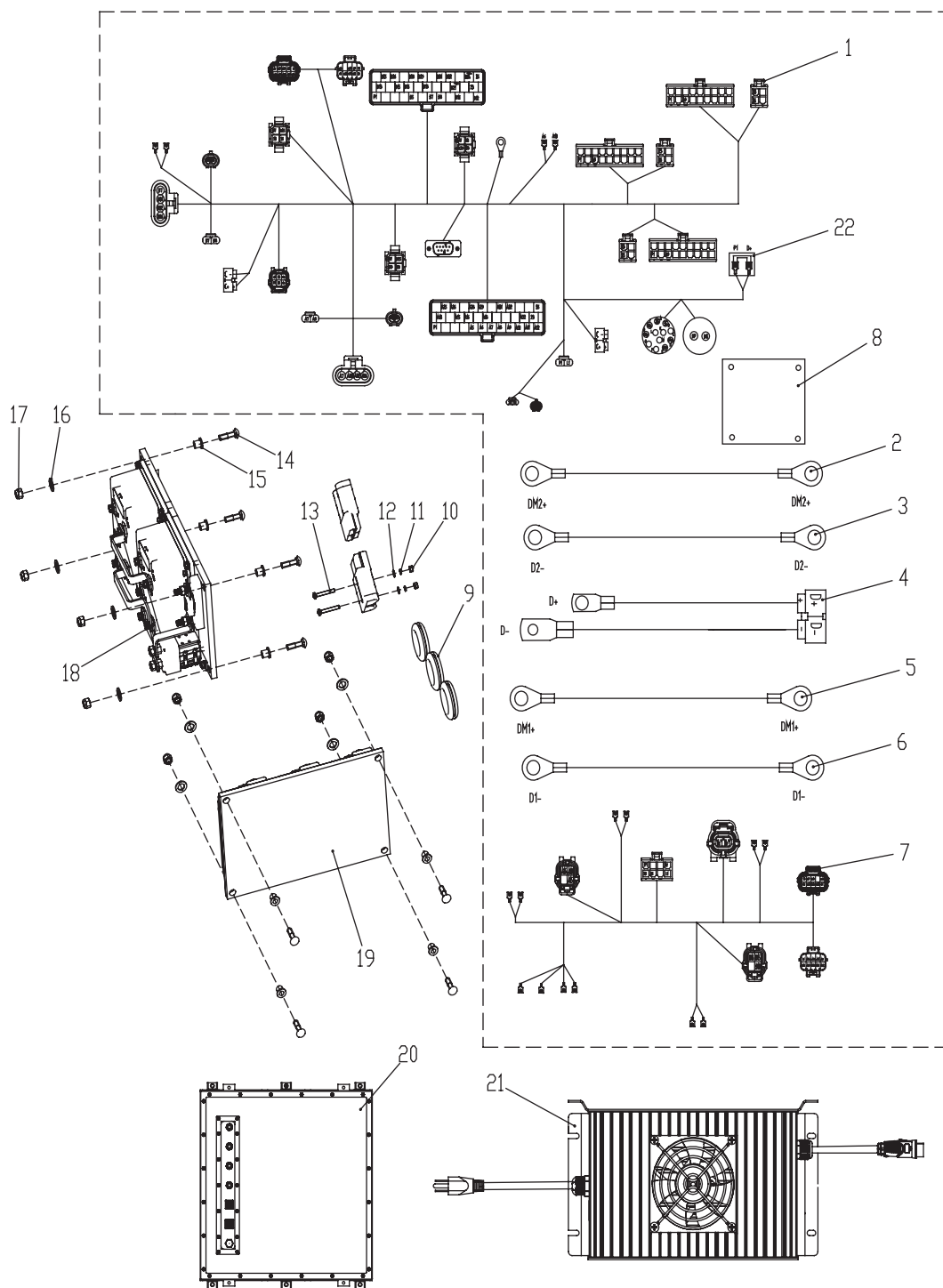
<b>ITEM NO.</b>	<b>PART NO.</b>	<b>DESCRIPTION</b>	<b>QTY</b>
15-1	R0200683-00	Cushion ( lower )	1
15-2	R0200463-00	Cushion fixing plate	1
15-3	R0200534-00	Bolt assembly	8

# PLATFORM ASSEMBLY



<b>ITEM NO.</b>	<b>PART NO.</b>	<b>DESCRIPTION</b>	<b>QTY</b>
16-1	R0200610-00	Platform	1
16-2	R0200531-00	Bolt M10×35	2
16-3	R0200426-00	Bushing	2
16-4	R0200521-00	Lock nut	2

# ELECTRICAL COMPONENTS



ITEM NO.	PART NO.	DESCRIPTION	QTY
17-1	R0200722-00	Vehicle wire harness assembly Lower	1
17-2	R0200723-00	Blade controller cable Positive	2
17-3	R0200724-00	Blade controller cable Negative	2
17-4	R0200725-00	Machine power harness	1
17-5	R0200726-00	Walking cutter controller cable Positive	1
17-6	R0200727-00	Walking cutter controller cable Negative	1
17-7	R0200427-00	Vehicle wire harness assembly Upper	1
17-8	R0200428-00	Thermal silica film	1
17-9	R0200429-00	Guard ring	3
17-10	R0200511-00	Nut M5	2
17-11	R0200538-00	Spring washer	2
17-12	R0200545-00	Washer	2
17-13	R0200556-00	Screw M5X35	2
17-14	R0200528-00	Bolt M8 × 30	8
17-15	R0200392-00	Bushing	8
17-16	R0200393-00	Washer	8
17-17	R0200520-00	Lock nut M8	8
17-18	R0200715-00	Drive controller	1
17-19	R0200716-00	Blade controller	1
17-20	R0200665-00	Lithium battery 13.8 KWH	1
17-21	R0200736-00	Charger 15A 1500WATTS	1
17-22	R0200847-00	Fuse, 20A Maxi (Main)	1

# **GREENWORKS**

## **COMMERCIAL**

**Greenworks Commercial Tools  
PO Box 1238  
Mooresville, NC 28115**

**TOLL-FREE HELPLINE: 1-855-470-4267**



Printed in China on 100% Recycled Paper