

# GREENWORKS

## COMMERCIAL

82TB181

EN BIKE HANDLE TRIMMER

OPERATOR MANUAL

FR COUPE-HERBE

MANUEL D'OPÉRATEUR

ES CORTABORDES

MANUAL DEL OPERADOR



**STB402**

[www.greenworkscommercial.com](http://www.greenworkscommercial.com)

[www.shopgreenworksgear.com](http://www.shopgreenworksgear.com)



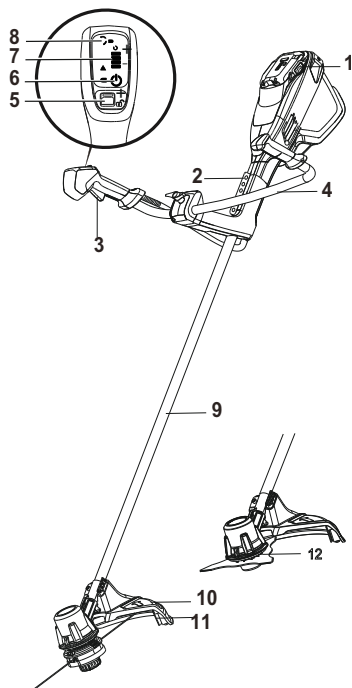
<b>1</b>	<b>Description.....</b>	<b>4</b>	9.4	Operation tips.....	9
1.1	Purpose.....	4	9.5	Line cut-off blade.....	9
1.2	Overview.....	4	9.6	Cutting tips.....	9
<b>2</b>	<b>Important safety instructions.....</b>	<b>4</b>	9.7	Adjust the length of the cutting line.....	10
<b>3</b>	<b>Symbols on the product.....</b>	<b>5</b>	<b>10</b>	<b>Maintenance.....</b>	<b>10</b>
<b>4</b>	<b>Risk levels.....</b>	<b>6</b>	10.1	General information.....	10
<b>5</b>	<b>Service.....</b>	<b>6</b>	10.2	Clean the machine.....	10
<b>6</b>	<b>Environmentally safe battery disposal.....</b>	<b>6</b>	10.3	Install the cutting line.....	10
<b>7</b>	<b>Proposition 65.....</b>	<b>7</b>	10.4	Replace the spool.....	11
<b>8</b>	<b>Installation.....</b>	<b>7</b>	10.5	Replace the cutting line.....	11
8.1	Unpack the machine.....	7	10.6	Remove the trimmer head.....	12
8.2	Attach the guard.....	7	10.7	Assemble the trimmer head.....	12
8.3	Attach the auxiliary handle.....	7	10.8	Remove the brush cutter.....	12
8.4	Install the battery pack.....	8	10.9	Assemble the brush cutter.....	12
8.5	Remove the battery pack.....	8	<b>11</b>	<b>Transportation and storage.....</b>	<b>13</b>
<b>9</b>	<b>Operation.....</b>	<b>8</b>	11.1	Move the machine.....	13
9.1	Controls.....	8	11.2	Store the machine.....	13
9.2	Start the machine.....	8	<b>12</b>	<b>Troubleshooting.....</b>	<b>13</b>
9.3	Stop the machine.....	8	<b>13</b>	<b>Technical data.....</b>	<b>14</b>
			<b>14</b>	<b>Limited warranty.....</b>	<b>14</b>

## 1 DESCRIPTION

### 1.1 PURPOSE

This machine is used to cut grass, light weeds, and other similar vegetation at or around ground level. The cutting plane must be approximately parallel to the ground surface. You cannot use the machine to cut or chop hedges, shrubs, bushes, flowers and compost.

### 1.2 OVERVIEW



- 1 Battery release button
- 2 Carrying strip
- 3 Trigger
- 4 Auxiliary handle
- 5 Speed button/lock-out button
- 6 On/off button
- 7 LED indication
- 8 Reverse button
- 9 Shaft
- 10 Guard
- 11 Cut-off blade
- 12 Blade

## 2 IMPORTANT SAFETY INSTRUCTIONS

**READ ALL INSTRUCTIONS BEFORE USING (THIS POWER TOOL)**

### ▲ WARNING

**Read and understand all instructions before using this product.** Failure to follow all instructions listed below may result in electric shock, fire, and/or serious personal injury.




- Use only identical manufacturer's replacement parts and accessories. Use of any other parts may create a hazard or cause product damage.
- Always wear safety glasses with side shields marked to comply with ANSI Z87.1. Everyday glasses have only impact resistant lenses. They are NOT safety glasses. Following this rule will reduce the risk of eye injury. Use face mask if operating in dusty work spaces.
- Avoid Dangerous Environment – Don't expose power tools to damp or wet conditions. Water entering a power tool will increase the risk of electric shock.
- Don't use in rain.
- Keep all bystanders, children, and pets at least 50 ft. away.
- Dress Properly – Do not wear loose clothing or jewelry. They can be caught in moving parts. Use of rubber gloves and substantial footwear is recommended when working outdoors. Wear protective hair covering to contain long hair.
- Use right Appliance. Do not use appliance for any job except that for which it is intended.
- Avoid Unintentional Starting – Don't carry appliance with finger on switch. Be sure switch is off when battery is plugged in.
- Don't Force Appliance – It will do the job better and with less likelihood of a risk of injury at the rate for which it was designed.
- Don't overreach – Keep proper footing and balance at all times.
- Stay alert – Watch what you are doing. Use common sense. Do not operate this unit when you are tired, ill or under the influence of alcohol, drugs or medication.
- Always store idle power tools indoors – When not in use, power tools should be stored indoors in a dry and high or locked-up place, out of reach of children.
- Maintain Appliance With Care – Replace string head if cracked, chipped, or damaged in any way. Be sure the string head is properly installed and securely fastened. Keep cutting edge sharp and clean for best performance and to reduce the risk of injury. Follow instructions for lubricating and changing accessories. Inspect appliance cord periodically, and if damaged, have it repaired by an authorized service facility. Inspect extension cords periodically and replace if damaged. Keep handles dry, clean, and free from oil and grease. Failure to do so can cause serious injury.

- Check damaged parts before using the appliance, a guard or other part that is damaged should be carefully checked to determine that it will operate properly and perform its intended function. Check for alignment of moving parts, binding of moving parts, breakage of parts, damaged mountings, and any other condition that may affect its operation. A guard or other part that is damaged should be properly repaired or replaced by an authorized service center unless indicated elsewhere in this manual.
- Remove or disconnect battery before servicing, cleaning or removing material from the gardening appliance.
- Do not modify or attempt to repair the appliance or the battery pack (as applicable) except as indicated in the instructions for use and care. Use appliances only with specifically designated battery packs. Use of any other battery packs may create a risk of injury and fire. Use only Greenworks GLW 200/GLW 300 battery or other BAB series.
- Recharge only with the charger specified by the manufacturer. A charger that is suitable for one type of battery pack may create a risk of fire when used with another battery pack. Use only Greenworks GC 400 charger or other CAB series.
- When battery pack is not in use, keep it away from other metal objects, like paper clips, coins, keys, nails, screws or other small metal objects, that can make a connection from one terminal to another. Shorting the battery terminals together may cause a fire.
- Under abusive conditions, liquid may be ejected from the battery; avoid contact. If contact accidentally occurs, flush with water. If liquid contacts eyes, additionally seek medical help. Liquid ejected from the battery may cause irritation or burns.
- Do not use a battery pack or appliance that is damaged or modified. Damaged or modified batteries may exhibit unpredictable behavior resulting in fire, explosion or risk of injury.
- Do not expose a battery pack or appliance to fire or excessive temperature. Exposure to fire or temperature above 265 °F (130 °C) may cause an explosion.
- Do not dispose of the batteries in a fire. The cells may explode. Check with local codes for possible special disposal instructions.
- Do not open or mutilate the batteries. Released electrolyte is corrosive and may cause damage to the eyes or skin. It may be toxic if swallowed.
- Exercise care in handling batteries in order not to short the battery with conducting materials such as rings, bracelets, and keys. The battery or conductor may overheat and cause burns.
- Follow all charging instructions and do not charge the battery pack or appliance outside of the temperature range specified in the instructions. Charging improperly or at temperatures outside of the specified range may damage the battery and increase the risk of fire.
- Have servicing performed by a qualified repair person using only identical replacement parts. This will ensure that the safety of the product is maintained.
- Keep guards in place and in working order.
- Keep hands and feet away from cutting area.
- Disconnect the battery pack from the appliance before making any adjustments, changing accessories, or storing appliance. Such preventive safety measures reduce the risk of starting the appliance accidentally.
- Use only with the nylon cutting line of 0.094" (2.4 mm) diameter. Do not use heavier lines than recommended by the manufacturer and line materials of other types – for example, metal wire, rope, and the like.
- Be aware of blade thrust :
  - Blade thrust may occur when the spinning blade contacts an object that it does not immediately cut.
  - Blade thrust can be violent enough to cause the unit and/or operator to be propelled in any direction, and possibly lose control of the unit.
  - Blade thrust can occur without warning if the blade snags, stalls or binds.
  - Blade thrust is more likely to occur in areas where it is difficult to see the material being cut.
- Condition of Unit before Use – The handles shall be mounted in accordance with the manufacturer's instructions. Do not attach any blade to a unit without proper installation of all required parts. Failure to use the proper parts can cause the blade to fly off and seriously injure the operator and/or bystanders. Discard blades that are bent, warped, cracked, broken, or damaged in any way. Use a sharp blade. A dull blade is more likely to snag and thrust.

## SAVE THESE INSTRUCTIONS

### 3 SYMBOLS ON THE PRODUCT




Some of the following symbols may be used on this tool. Please study them and learn their meaning. Proper interpretation of these symbols will allow you to operate the tool better and safer.

Symbol	Explanation
V	Voltage
A	Current
Hz	Frequency (cycles per second)
W	Power
min	Time
/min	Revolutions, strokes, surface speed, orbits etc., per minute
	Direct current
	Precautions that involve your safety.
	Wear eyes protection.

Symbol	Explanation
	Wear safety footwear.
	Wear protective gloves.
	Do not expose to rain or in damp condition.
	Beware of blade thrust.
	Thrown objects can ricochet and result in personal injury or property damage. Wear protective clothing and boots.
	Do not use saw blades.
	Keep all bystanders at least 15m away.
	Thrown objects can ricochet and result in personal injury or property damage.

#### 4 RISK LEVELS

The following signal words and meanings are intended to explain the levels of risk associated with this product.

SYM-BOL	SIGNAL	MEANING
	DANGER	Indicates an imminently hazardous situation, which, if not avoided, will result in death or serious injury.
	WARNING	Indicates a potentially hazardous situation, which, if not avoided, could result in death or serious injury.
	CAUTION	Indicates a potentially hazardous situation, which, if not avoided, may result in minor or moderate injury.
	CAUTION	(Without Safety Alert Symbol) Indicates a situation that may result in property damage.

#### 5 SERVICE

Servicing requires extreme care and knowledge and must be performed only by a qualified service technician. For service we suggest you return the machine to your nearest AUTHORIZED SERVICE CENTER for repair. Use only identical manufacturer's replacement parts and accessories.

#### 6 ENVIRONMENTALLY SAFE BATTERY DISPOSAL



The toxic and corrosive materials below are in the batteries used in this machine: **Lithium-Ion, a toxic material.**

##### ▲ WARNING

Discard all toxic materials in a specified manner to prevent contamination of the environment. Before discarding damaged or worn out Li-ion battery, contact your local waste disposal agency, or the local Environmental Protection Agency for information and specific instructions. Take the batteries to a local recycling and/or disposal center, certified for lithium-ion disposal.

##### ▲ WARNING

If the battery pack cracks or breaks, with or without leaks, do not recharge it and do not use. Discard it and replace with a new battery pack. **DO NOT TRY TO REPAIR IT!** To prevent injury and risk of fire, explosion, or electric shock, and to avoid damage to the environment:

- Cover the terminals of the battery with heavy-duty adhesive tape.
- DO NOT try to remove or destroy any of the battery pack components.
- DO NOT try to open the battery pack.
- If a leak develops, the released electrolytes are corrosive and toxic. DO NOT get the solution in the eyes or on skin, and do not swallow it.
- DO NOT put these batteries in your regular household trash.
- DO NOT incinerate.
- DO NOT put them where they will become part of any waste landfill or municipal solid waste stream.
- Take them to a certified recycling or disposal center.

## 7 PROPOSITION 65

### ▲ WARNING

This product contains a chemical known to the state of California to cause cancer, birth defects or other reproductive harm. Some dust created by power sanding, sawing, grinding, drilling, and other construction activities contains chemicals known to cause cancer, birth defects or other reproductive harm. Some examples of these chemicals are:

- Lead from lead-based paints;
- Crystalline silica from bricks and cement and other masonry products;
- Arsenic and chromium from chemically treated lumber.

Your risk of exposure to these chemicals varies depending on how often you do this type of work. To reduce your exposure to these chemicals, work in a well-ventilated area, and work with approved safety equipment, such as dust masks that are specially designed to filter out microscopic particles.

## 8 INSTALLATION

### ▲ WARNING

Remove the battery pack from the machine before installation.

### ▲ WARNING

Do not use accessories that are not recommended for this machine.

### 8.1 UNPACK THE MACHINE

#### ▲ WARNING

Make sure that you correctly assemble the machine before use.

#### ▲ WARNING

- If the parts are damaged, do not use the machine.
- If you do not have all the parts, do not operate the machine.
- If the parts are damaged or missing, speak to the service center.

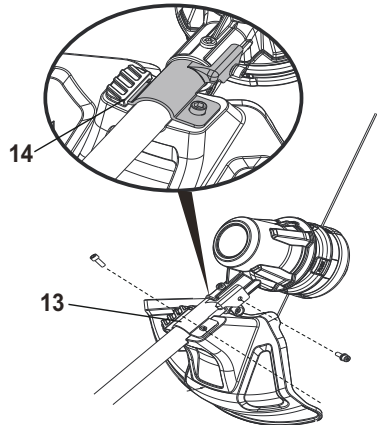
1. Open the package.
2. Read the documentation in the box.
3. Remove all the unassembled parts from the box.
4. Remove the machine from the box.
5. Discard the box and package in compliance with local regulations.

### 8.2 ATTACH THE GUARD

#### ▲ WARNING

Do not touch the cut-off blade.

1. Put the shaft into the groove of the guard.
2. Put the bracket (13) into the slot (14).
3. Align the screw hole on the bracket with the screw hole on the guard.
4. Tighten the screws.



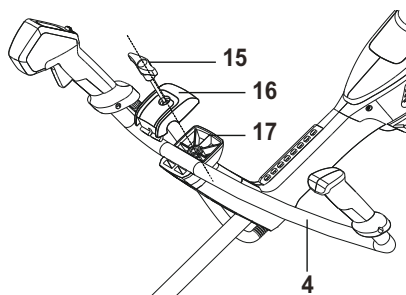
### 8.3 ATTACH THE AUXILIARY HANDLE

1. Loosen the central knob (15).
2. Remove the cap (16) and the lower support (17).

#### i NOTE

Do not miss the spring in the support.

3. Put the auxiliary handle (4) in the lower support.
4. Put the cap to the lower support.
5. Put the entire block in its housing on the shaft.
6. Set the auxiliary handle in the comfortable position.
7. Lock the auxiliary handle with the central knob.



## 8.4 INSTALL THE BATTERY PACK

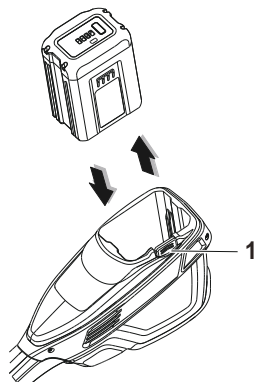
### ▲ WARNING

- If the battery pack or charger is damaged, replace the battery pack or the charger.
- Stop the machine and wait until the motor stops before you install or remove the battery pack.
- Read, know, and do the instructions in the battery and charger manual.

1. Align the lift ribs on the battery pack with the grooves in the battery compartment.
2. Push the battery pack into the battery compartment until the battery pack locks into place.
3. When you hear a click, the battery pack is installed.

## 8.5 REMOVE THE BATTERY PACK

1. Push and hold the battery release button (1).
2. Remove the battery pack from the machine.



## 9 OPERATION

### i IMPORTANT

Before you operate the machine, read and understand the safety regulations and the operation instructions.

### ▲ WARNING

Be careful when you operate the machine.

## 9.1 CONTROLS

### 9.1.1 ON/OFF BUTTON



Push this button to connect and disconnect the electrical circuit of the machine.

**Green light on (G):** the electrical circuit of the machine is on (ON). The machine prepares to operate.

### i NOTE

If you do not use the machine for more than 30 s, the machine stops.

**Lights off:** the electrical circuit is off (OFF).

### i IMPORTANT

Do not keep your finger on the button when you move the machine to prevent accidental start.

### 9.1.2 REVERSE BUTTON



1. If grass winds around the trimmer head or blade, push the reverse button.
2. Start the machine again.

### 9.1.3 LED INDICATION



1. 4 green lights are on when you start the machine.
2. Push the speed button forward to adjust the speed.

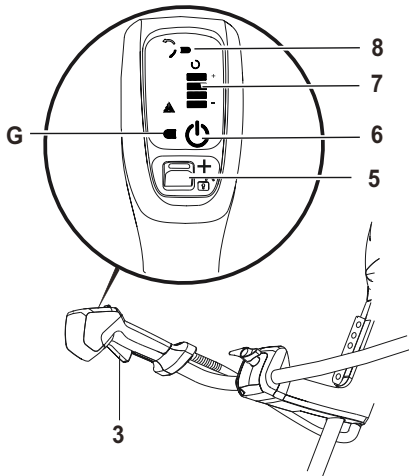
## 9.2 START THE MACHINE

1. Push the on/off button (6).
2. Push the lock-out button (5) rearward.
3. Pull the trigger (3).

## 9.3 STOP THE MACHINE

1. Release the trigger.
2. Push the on/off button again to turn the machine off.





## 9.4 OPERATION TIPS

### ▲ WARNING

Keep clearance between the body and the machine.

### ▲ WARNING

Do not operate the machine without guard in place.

#### Do these tips when you use the machine

- Keep the machine connected to the correctly worn harness.
- Keep a firm hold with the two hands on the machine while you operate the machine.
- Cut tall grass from the top down.

#### If grass winds around the trimmer head:

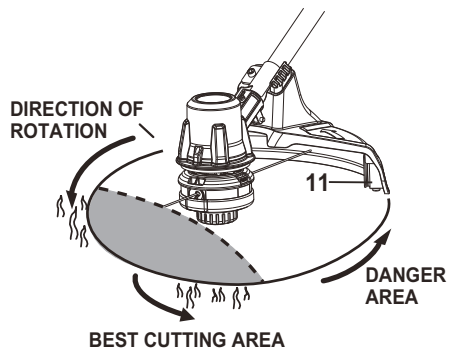
- Remove the battery pack.
- Remove the grass.

## 9.5 LINE CUT-OFF BLADE

This trimmer is equipped with a line cut-off blade (11) on the guard. The line cut off blade continuously trims the line to ensure a consistent and efficient cut diameter. Advance line whenever you hear the engine running faster than normal, or when trimming efficiency diminishes. This will maintain best performance and keep line long enough to advance properly.

## 9.6 CUTTING TIPS

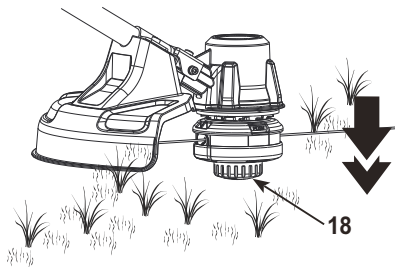
- Tilt the machine toward the area to be cut. Use the tip of the cutting line to cut grass.
- Move the machine from right to left to prevent thrown debris toward the operator.
- Do not cut in the dangerous area.
- Do not force the trimmer head into uncut grass.
- Wire and picket fences cause cutting line wear and breakage. Stone and brick walls, curbs, and wood can wear the cutting line quickly.



### 9.7 ADJUST THE LENGTH OF THE CUTTING LINE

While you operate the machine, the cutting line gets worn and shorter. You can adjust the length of the cutting line.

1. Hit the trimmer head against the ground while you operate the machine.
2. Line is automatically released and the cut-off blade cuts the excess length.



## 10 MAINTENANCE

### **i** IMPORTANT

Read and understand the safety regulations and the maintenance instructions before you clean, repair or do the maintenance work on the machine.

### **i** IMPORTANT

Make sure that all nuts, bolts and screws are tight. Examine regularly that you install the handles tightly.

### **i** IMPORTANT

Use only the replacement parts and accessories of the initial manufacturer.

### 10.1 GENERAL INFORMATION

### **i** IMPORTANT

Only your dealer or approved service center can do the maintenance that is not given in this manual.

Before the maintenance operations:

- Stop the machine.
- Remove the battery pack.
- Cool the motor.
- Store the machine in cool and dry place.
- Use correct clothing, protective gloves and safety glasses.

### 10.2 CLEAN THE MACHINE

- Clean the machine after use with a moist cloth dipped in neutral detergent.

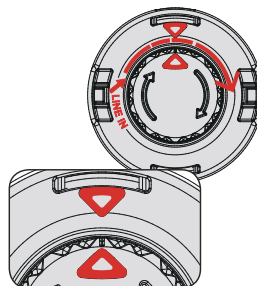
- Do not use aggressive detergents or solvents to clean the plastic parts or handles.
- Keep the trimmer head free of grass, leaves, or excessive grease.
- Keep the air vents clean and free of debris to avoid overheating and damage to the motor or the battery.
- Do not spray water onto the motor and electrical components.

### 10.3 INSTALL THE CUTTING LINE

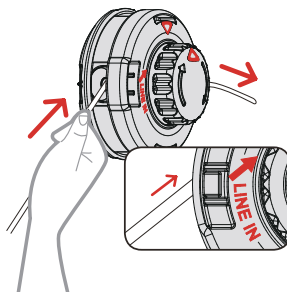
### **i** NOTE

Do not put more than 15 feet of cutting line in at a time.

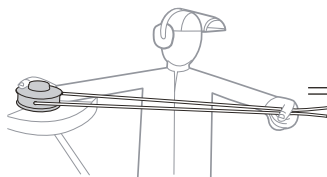
1. Remove the remaining cutting line on the spool.
2. Line up the slots on the spool cap with the slots on the trimmer head.



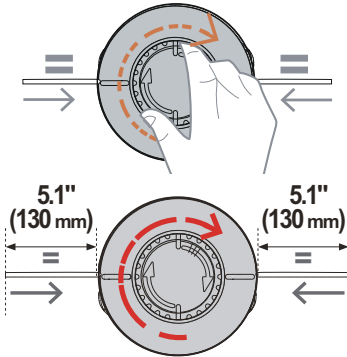
3. Put the cutting line through the hole. Push the cutting line until it exits the opposite hole.



4. Pull the cutting line through until there is an equal quantity of cutting line on each side.

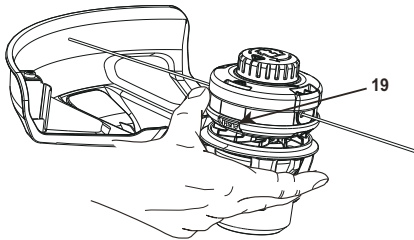


- Turn the spool cap clock-wise to wind the cutting line into the trimmer head. Keep approximately 5 in of cutting line above out of each side of the trimmer head.

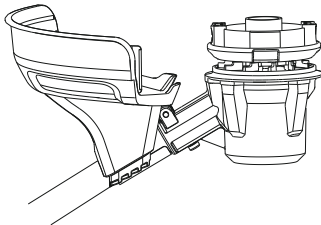
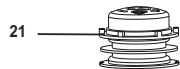


#### 10.4 REPLACE THE SPOOL

- Push the tabs (19) on the sides of the trimmer head at the same time.



- Pull and remove the spool cover (20).



- Remove the remaining spool (21).
- Put the spool in the spool housing.

#### **i** NOTE

Make sure that you put the cutting line in the slot on the new spool and extend the line approximately 15 cm before you install the new spool.

- Put the ends of the cutting lines through the holes.
- Extend the cutting line to release it from the guide slot in the spool.
- Push the tabs and install the spool cover onto the spool housing.
- Push the spool cover until it clicks into position.

#### 10.5 REPLACE THE CUTTING LINE

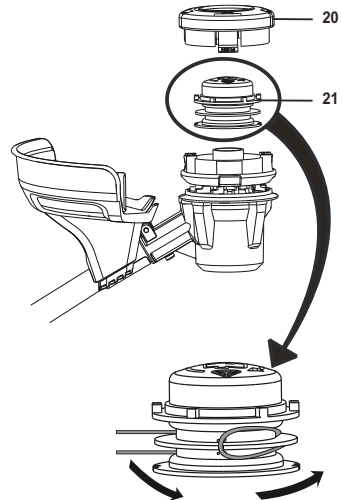
#### **i** NOTE

Remove the remaining cutting line on the spool.

#### **i** NOTE

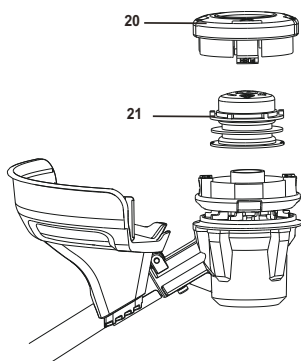
Use only with the nylon cutting line of 0.094" (2.4 mm) diameter.

- Cut a piece of cutting line approximately 3m long.
- Bend the line at the midpoint and hook the loop into the slot in the center rim of the spool. Make sure that the line snaps into position in the slot.
- With your finger between the lines, wind the lines equally and tightly around the spool in the indicated direction.
- Put the lines in the guide slots.
- Do not wind the lines beyond the edge of the spool.

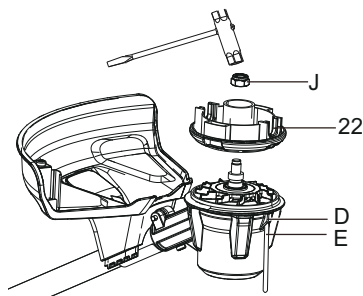


## 10.6 REMOVE THE TRIMMER HEAD

1. Put the metal rod (E) in the specified angle transmission hole (D) to fix the trimmer head.
2. Remove the spool cover and the spool.



3. Loosen the nut (J) on the trimmer head clockwise with a wrench.
4. Remove the trimmer head.



## 10.7 ASSEMBLE THE TRIMMER HEAD

1. Put the trimmer head onto the housing.
2. Install the nut.
3. Put the metal rod in the specified angle transmission hole to fix the trimmer head.
4. Tighten the nut on the trimmer head counterclockwise with a wrench.

### **i** IMPORTANT

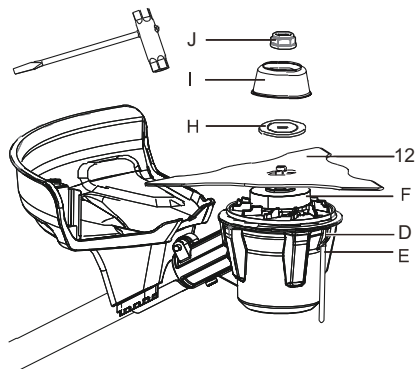
You must install the cut-off blade when you use the trimmer head.

## 10.8 REMOVE THE BRUSH CUTTER

### **▲** WARNING

Apply the guard to the blade.

1. Put the metal rod (F) in the specified angle transmission hole (D) to fix the trimmer head.
2. Loosen the nut (J) clockwise and remove the outer cup (I).
3. Remove the plate (H) and brush-cutter blade.
4. Remove the inner cup (F).



## 10.9 ASSEMBLE THE BRUSH CUTTER

### **▲** WARNING

Wear gloves and be careful with sharp edges.

### **▲** WARNING

Apply the guard to the blade.

### **▲** WARNING

Use the specified Nylon locknut which is packed with the blade, to assemble the blade.

### **▲** WARNING

You must change the locknut after you use it for 20 times.

1. Put the metal rod (E) in the specified angle transmission hole (D) to fix the trimmer head.
2. Put the inner cup (F) onto the center shaft.
3. Put the brush-cutter blade (12) on top of the inner cup. Make sure the blade is in the center.
4. Put the plate (H) above the blade.
5. Put the outer cup above the plate (I).
6. Put the locknut above the outer cup.
7. Tighten the lock-nut (J) counter-clockwise to 44-58" N.M of torque with a 19mm wrench.

## 11 TRANSPORTATION AND STORAGE

### 11.1 MOVE THE MACHINE

When you move the machine, you must:

- Wear gloves.
- Stop the machine.
- Remove the battery pack and charge it.
- Assemble the blade guard.

### 11.2 STORE THE MACHINE

- Remove the battery pack from the machine.
- Make sure that children cannot come near the machine.
- Keep the machine away from corrosive agents such as garden chemicals and de-icing salts.
- Secure the machine during transportation to prevent damage or injury. Clean and examine the machine for any damage.

## 12 TROUBLESHOOTING

Problem	Possible Cause	Solution
The machine does not start when you push the trigger.	No electrical contact between the machine and the battery pack.	1. Remove battery pack. 2. Check contact and install the battery pack again.
	The battery pack is depleted.	Charge the battery pack.
	The lock-out button and trigger are not pushed at the same time.	1. Pull the lock-out button and hold it. 2. Pull the trigger to start the machine.

Problem	Possible Cause	Solution
The machine stops when you cut.	The guard is not attached to the machine.	Remove the battery pack and attach the guard to the machine.
	Heavy cutting line is used.	Use only with the nylon cutting line of 0.094" (2.4 mm) diameter.
	The grass winds around the motor shaft or the trimmer head.	1. Stop the machine. 2. Remove the battery pack. 3. Remove the grass from the motor shaft and trimmer head.
	The motor is overloaded.	1. Remove the trimmer head from the grass. 2. The motor will recover to work as soon as the load is removed. 3. When you cut, move the trimmer head in and out of the grass to be cut and remove no more than 8" in pass.
The line does not advance.	The battery pack or machine is too hot.	1. Cool the battery pack until its function returns to normal. 2. Cool the machine for approximately 10 minutes.
	The battery pack is disconnected from the tool.	Install the battery pack again.
	The battery pack is depleted.	Charge the battery pack.
The line does not advance.	Lines are welded to themselves.	Lubricate with silicone spray.
	Not enough line on spool.	Install more line.
	Lines are worn too short.	Advance the cutting line.
	Lines are tangled on spool.	1. Remove the lines from the spool. 2. Wind the lines.

Problem	Possible Cause	Solution
The line keeps breaking.	The machine is used incorrectly.	1. Cut with the tip of the line, avoid stones, walls and other hard objects.  2. Advance the cutting line regularly to keep full cutting width.
The grass winds around the trimmer head and motor housing.	Cut tall grass at ground level.	1. Cut tall grass from the top down.  2. Remove no more than 8" in each pass to prevent wrapping.
The line does not cut well.	The cut-off blade becomes dull.	Sharpen the cut-off blade with a file or replace it.
Vibration increases obviously.	The line is worn down at one side and not advanced in time.	Make sure that the line on both sides is normal. Advance the line.

### 13 TECHNICAL DATA

Type	Cordless, battery powered
Motor	82V DC Brushless
No load speed	4500-5500-6000-6300 RPM ±10% RPM
Cutting line diameter	0.094" (2.4 mm)
Cutting path diameter	String Trimmer: 18" (457mm); Brush cutter: 12" (305mm)
Feed Type	Bump Feed
Weight (without battery pack)	5.83 kg
Battery model	GLW 200/GLW 300 and other BAB series
Charger model	GC 400 and other CAB series

#### The recommended ambient temperature range:

Item	Temperature
String trimmer storage temperature range	32°F (0°C) - 113°F (45°C)
String trimmer operation temperature range	32°F (0°C) - 113°F (45°C)

Item	Temperature
Battery charging temperature range	39°F (4°C) - 104°F (40°C)
Charger operation temperature range	39°F (4°C) - 104°F (40°C)
Battery storage temperature range	32°F (0°C) - 113°F (45°C)
Battery discharging temperature range	32°F (0°C) - 113°F (45°C)

### 14 LIMITED WARRANTY



Greenworks hereby warrants this product, to the original purchaser with proof of purchase, 2 year commercial power train warranty, 2 year commercial battery warranty against defects in materials, parts or workmanship. Greenworks, at its own discretion will repair or replace any and all parts found to be defective, through normal use, free of charge to the customer. This warranty is valid only for units which have been used for personal or commercial use and that have been maintained in accordance with the instructions in the owners' manual supplied with the product from new.

#### 2 YEAR LIMITED POWER TRAIN WARRANTY COVERAGE:

- Motor
- PCB Boards
- Gear Box
- 2 years from the date of purchase (non transferable)

#### 2 YEAR LIMITED BATTERY WARRANTY COVERAGE:

- Greenworks Commercial Battery Packs (GL 250, GL 400, GL 500, GL 900, GLW 300, GLW 600, GL400BT and other series)
- 2 year from the date of purchase (non transferable)

#### 60 DAY LIMITED WEARABLE PARTS WARRANTY COVERAGE:

- Bars
- Blades
- Guards
- Chains

- Bump Feed Heads
- Tines
- 60 Days from date of purchase (non transferable)

**WARRANTY EXCLUSIONS, LIMITATIONS AND RIGHTS:**

1. All warranties may not be transferred by the consumer to any subsequent purchaser.
2. Parts or components not supplied by the warrantor, or parts or components that have been modified.
3. Any failure resulting from the use of improper tools or improper repair procedures.
4. Any failure resulting from the use of improper tools or improper repair procedures.
5. Any failure or part that has become inoperative due to accident, impact, abuse, misuse, neglect, mishandling, dulling of cutting edges, or failure to operate the product in accordance with the information provided in the instruction manual supplied with the product.
6. Routine maintenance items such as lubricants, blade sharpening.
7. The unit, if it has not been operated and/or maintained in accordance with the owner's manual.
8. The unit, if it has not been operated and/or maintained in accordance with the owner's manual.

**GREENWORKS HELPLINE:**

Warranty service is available by calling our toll-free helpline, at 1-855-470-4267.

**TRANSPORTATION CHARGES:**

Transportation charges for the movement of any power equipment unit or attachment are the responsibility of the purchaser. It is the purchaser's responsibility to pay transportation charges for any part submitted for replacement under this warranty unless such return is requested in writing by Greenworks.

**Greenworks Tools**  
**P.O. Box 1238**  
 **Mooresville, NC 28115**

<b>1</b>	<b>Description.....</b>	<b>17</b>		9.2 Démarrez la machine.....	22
1.1	But.....	17	9.3	Arrêtez la machine.....	22
1.2	Aperçu.....	17	9.4	Conseils sur l'utilisation.....	22
<b>2</b>	<b>Instructions importantes sur la</b>		9.5	Lame de coupe de la ligne.....	23
	<b>sécurité.....</b>	<b>17</b>	9.6	Conseils de coupe.....	23
<b>3</b>	<b>Symboles figurant sur la</b>		9.7	Réglez la longueur de la ligne de coupe.....	23
	<b>machine.....</b>	<b>19</b>	<b>10</b>	<b>Entretien.....</b>	<b>23</b>
<b>4</b>	<b>Niveaux de risques.....</b>	<b>19</b>	10.1	Informations générales.....	24
<b>5</b>	<b>Service.....</b>	<b>19</b>	10.2	Nettoyez la machine.....	24
<b>6</b>	<b>Élimination des batteries sans</b>		10.3	Installez la ligne de coupe.....	24
	<b>danger pour l'environnement.....</b>	<b>19</b>	10.4	Remplacez la bobine.....	24
<b>7</b>	<b>Proposition 65.....</b>	<b>20</b>	10.5	Remplacez la ligne de coupe.....	25
<b>8</b>	<b>Installation.....</b>	<b>20</b>	10.6	Retirez la tête de coupe.....	25
8.1	Déballer la machine.....	20	10.7	Assemblez la tête de coupe.....	26
8.2	Attachez la garde protectrice.....	21	10.8	Retirez le taille-broussailles.....	26
8.3	Attachez la poignée auxiliaire.....	21	10.9	Monter le taille-broussailles.....	26
8.4	Installez le bloc-batterie.....	21	<b>11</b>	<b>Transport et entreposage.....</b>	<b>27</b>
8.5	Retirez le bloc-batterie.....	21	11.1	Déplacez la machine.....	27
<b>9</b>	<b>Utilisation.....</b>	<b>22</b>	11.2	Entreposez la machine.....	27
9.1	Commandes.....	22	<b>12</b>	<b>Dépannage.....</b>	<b>27</b>
			<b>13</b>	<b>Données techniques.....</b>	<b>28</b>
			<b>14</b>	<b>Garantie limitée.....</b>	<b>28</b>

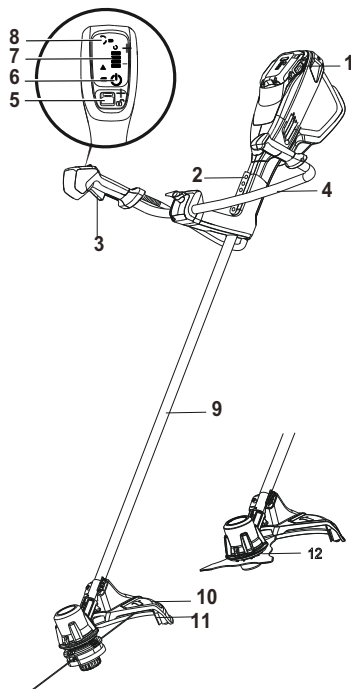


## 1 DESCRIPTION

### 1.1 BUT

Cette machine est utilisée pour couper l'herbe, les mauvaises herbes légères et d'autres végétaux similaires au niveau du sol ou à proximité. La surface de coupe doit être approximativement parallèle à la surface du sol. Vous ne pouvez pas utiliser la machine pour couper ou hacher des haies, des arbustes, des buissons, des fleurs et du compost.

### 1.2 APERÇU



- 1 Bouton d'éjection de la batterie
- 2 Sangle de transport
- 3 Gâchette
- 4 Poignée auxiliaire
- 5 Bouton de verrouillage/déverrouillage de la vitesse
- 6 Bouton marche/arrêt
- 7 Témoin LED
- 8 Bouton marche-arrière
- 9 Manche
- 10 Garde protectrice
- 11 Lame de coupe
- 12 Lame

## 2 INSTRUCTIONS IMPORTANTES SUR LA SÉCURITÉ

**LISEZ TOUTES LES INSTRUCTIONS AVANT L'UTILISATION (CET OUTIL ÉLECTRIQUE)**

### ▲ AVERTISSEMENT

**Lisez et comprenez toutes les instructions avant d'utiliser ce produit.** Le non-respect de ces avertissements et de ces instructions peut entraîner un choc électrique, un incendie et/ou des blessures graves.

- Utilisez uniquement des pièces de rechange et des accessoires identiques du fabricant. L'utilisation d'autres pièces peut créer un danger ou endommager le produit.
- Portez toujours des lunettes de sécurité dont les écrans latéraux sont conformes à la norme ANSI Z87.1. Les lunettes ordinaires sont dotées de verres résistants aux impacts seulement. Ce ne sont PAS des lunettes de sécurité. Le respect de cette règle réduira le risque de blessures aux yeux. Utilisez un masque facial si vous travaillez dans des endroits poussiéreux.
- Évitez les endroits dangereux – N'exposez pas les outils électriques à des conditions humides ou mouillées. L'eau qui pénètre dans un outil électrique augmente le risque de choc électrique.
- N'utilisez pas sous la pluie.
- Tenez tous les curieux, les enfants et les animaux domestiques à une distance d'au moins 15 m.
- Habillez-vous correctement – Ne portez pas de vêtements amples ou de bijoux. Ils pourraient se coincer dans les pièces en mouvement. Le port de gants en caoutchouc et de chaussures adaptées est recommandé pour travailler à l'extérieur. Portez un couvre-chef protecteur pour contenir les cheveux longs.
- Utilisez le bon appareil. N'utilisez l'appareil que pour les travaux auxquels il est destiné.
- Évitez tout démarrage accidentel – Ne transportez pas l'appareil avec un doigt sur l'interrupteur. Assurez-vous que l'interrupteur est éteint lorsque vous branchez la batterie.
- Ne forcez pas l'appareil – Il fera mieux le travail et avec moins de risque de blessure à la vitesse pour laquelle il a été conçu.
- Ne vous penchez pas trop en avant – Gardez un bon équilibre en tout temps.
- Soyez vigilant – Faites attention à ce que vous faites. Faites appel à votre bon sens. N'utilisez pas cet appareil si vous êtes fatigué, malade ou sous l'influence de l'alcool, de drogues ou de médicaments.
- Rangez toujours les outils électriques inutilisés à l'intérieur – Lorsqu'ils ne sont pas utilisés, entreposez-les à l'intérieur dans un endroit sec, hors de portée des enfants.
- Entretenez soigneusement l'appareil – Remplacez la tête de coupe si elle est fissurée, ébréchée ou endommagée de

quelque façon que ce soit. Assurez-vous que la tête de coupe est correctement installée et solidement fixée.

Gardez le bord des dents bien aiguisé et propre pour une meilleure performance et pour réduire les risques de blessures. Suivez les instructions pour lubrifier et changer les accessoires. Inspectez périodiquement le cordon de l'appareil. S'il est endommagé, faites-le réparer par un réparateur agréé. Inspectez périodiquement les rallonges électriques et remplacez-les si elles sont endommagées. Veillez à ce que les poignées restent propres, sèches et exemptes d'huile et de graisse. Le non-respect de cette consigne peut entraîner des blessures corporelles graves.

- Vérifier les pièces endommagées avant d'utiliser l'appareil. Il convient de vérifier soigneusement la garde protectrice ou toute autre pièce endommagée pour s'assurer qu'il fonctionnera correctement comme prévu. Vérifiez l'alignement des pièces mobiles, la fixation des pièces mobiles, la cassure des pièces, les fixations endommagées et toute autre condition qui pourrait affecter leur fonctionnement. Une garde protectrice ou toute autre pièce endommagée doit être correctement réparée ou remplacée par un centre de service agréé, sauf en cas d'indication contraire dans ce manuel.
- Retirez ou débranchez la batterie avant d'entretenir, de nettoyer ou d'enlever des matériaux de l'appareil de jardinage.
- Ne modifiez pas ou n'essayez pas de réparer l'appareil ou le bloc-batterie (selon le cas) sauf en conformité avec les instructions d'utilisation et d'entretien indiquées dans ce manuel. Utilisez les appareils uniquement avec des batteries spécialement conçues à cet effet. L'utilisation de toutes autres batteries peut créer un risque de blessure et d'incendie. Utilisez uniquement la batterie GLW 200/ GLW 300 Greenworks ou d'autres séries BAB.
- Rechargez uniquement avec le chargeur spécifié par le fabricant. Un chargeur adapté à un type de bloc-batterie peut créer un risque d'incendie lorsqu'il est utilisé avec un autre bloc-batterie. Utilisez uniquement le chargeur GC 400 Greenworks ou d'autres séries CAB.
- Lorsque le bloc-batterie n'est pas utilisé, éloignez-le des autres objets métalliques tels qu'attaches trombones, pièces de monnaie, clés, clous, vis ou autres petits objets métalliques qui peuvent établir une connexion d'une borne à une autre. Le court-circuitage des bornes de la batterie peut provoquer un incendie.
- Dans des conditions abusives, du liquide peut être éjecté de la batterie ; évitez tout contact. En cas de contact accidentel, rincez avec de l'eau. En cas de contact avec les yeux, consultez également un médecin. Le liquide s'échappant des batteries peut causer des irritations ou des brûlures.
- N'utilisez pas un bloc-batterie ou un appareil endommagé ou modifié. Les batteries endommagées ou modifiées peuvent présenter un fonctionnement imprévisible et provoquer un incendie, une explosion ou un risque de blessure.
- N'exposez pas un bloc-batterie ou un appareil à un feu ou à une température excessive. L'exposition au feu ou une

température supérieure à 130 °C (265 °F) peut provoquer une explosion.

- Ne jetez pas les batteries au feu. Les cellules peuvent exploser. Consultez les règlements locaux pour connaître les instructions d'élimination spéciales.
- Ne tentez pas d'ouvrir ni d'abîmer la batterie. Les électrolytes rejetés sont corrosifs et peuvent causer des dommages aux yeux ou à la peau. L'électrolyte peut être toxique lorsqu'elle est avalée.
- Manipulez les batteries avec précaution afin de ne pas court-circuiter la batterie avec des matériaux conducteurs tels que les bagues, les bracelets et les clés. La batterie ou le conducteur peut surchauffer et provoquer des brûlures.
- Suivez toutes les instructions de recharge et ne rechargez pas le bloc-batterie ou l'appareil en dehors de la plage de température spécifiée dans ces instructions. Un rechargement incorrect ou à des températures en dehors de la plage spécifiée peut endommager la batterie et augmenter le risque d'incendie.
- Faites effectuer l'entretien par un réparateur qualifié en n'utilisant que des pièces de rechange identiques. Cela garantira le maintien de la sécurité du produit.
- Gardez les gardes protectrices en place et en bon état de fonctionnement.
- Gardez les mains et les pieds éloignés de la zone de coupe.
- Retirez la batterie de l'outil électrique avant d'effectuer des réglages, de changer des accessoires ou de ranger la machine. De telles mesures de sécurité préventives réduisent le risque d'un démarrage accidentel de la machine.
- Utilisez uniquement avec la ligne de coupe en nylon de 0.094" (2.4 mm) diamètre. N'utilisez pas de lignes plus lourdes que celles recommandées par le fabricant et d'autres types de lignes. – par exemple, du fil métallique, de la corde, etc.
- Attention au ricochet de la lame :
  - Un ricochet de lame peut se produire lorsque la lame en rotation entre en contact avec un objet qu'elle ne coupe pas immédiatement.
  - Le ricochet de la lame peut être suffisamment violent pour provoquer la propulsion de l'appareil et/ou de l'opérateur dans n'importe quelle direction, et éventuellement la perte de contrôle de l'appareil.
  - Un ricochet de lame peut se produire sans avertissement si la lame s'accroche, cale ou se bloque.
  - Un ricochet de lame est plus susceptible de se produire dans les endroits où il est difficile de voir le matériau coupé.
- État de l'appareil avant son utilisation – Les poignées doivent être installées conformément aux instructions du fabricant. Ne fixez aucune lame à un appareil sans avoir installé correctement toutes les pièces nécessaires. Si vous n'utilisez pas les pièces appropriées, la lame peut s'envoler et blesser gravement l'opérateur et/ou les autres personnes présentes. Jetez les lames qui sont pliées,


déformées, fissurées, cassées ou endommagées de quelque manière que ce soit. Utilisez une lame tranchante. Une lame émoussée est plus susceptible de s'accrocher et de ricocher.

### CONSERVEZ CES INSTRUCTIONS

## 3 SYMBOLES FIGURANT SUR LA MACHINE




Certains des symboles suivants peuvent être utilisés sur cet outil. Veuillez les étudier et apprendre leur signification. Une bonne interprétation de ces symboles vous permettra de mieux utiliser l'outil et de manière plus sécuritaire.

Symbole	Explication
V	Voltage
A	Courant
Hz	Fréquence (cycles par seconde)
W	Puissance
min	Heure
/min	Tours, coups, vitesse périphérique, orbites, etc., par minute
	Courant direct
	Précautions destinées à assurer la sécurité.
	Portez des lunettes de protection.
	Portez des chaussures de sécurité.
	Portez des gants de protection.
	N'exposez pas à la pluie ou à dans des endroits humides.
	Attention au ricochet de la lame.
	Les objets projetés peuvent ricocher et causer des blessures corporelles ou des dommages matériels. Portez des vêtements et des bottes de protection.
	N'utilisez jamais de lames de scie.
	Tenez tous les curieux à une distance d'au moins 15 m.

Symbole	Explication
	Les objets projetés peuvent ricocher et causer des blessures corporelles ou des dommages matériels.

## 4 NIVEAUX DE RISQUES

Les termes de mise en garde suivants et leur signification ont pour but d'expliquer les niveaux de risques associés à l'utilisation de ce produit.

SYMBOLE	SIGNAL	SIGNIFICATION
	DANGER	Indique une situation dangereuse imminente qui, si elle n'est pas évitée, peut entraîner la mort ou des blessures graves.
	AVERTISSEMENT	Indique une situation potentiellement dangereuse qui, si elle n'est pas évitée, peut entraîner la mort ou des blessures graves.
	MISE EN GARDE	Indique une situation potentiellement dangereuse qui, si elle n'est pas évitée, pourrait causer des blessures mineures ou modérées.
	MISE EN GARDE	(Sans symbole d'alerte de sécurité) indique une situation pouvant entraîner des dommages matériels.

## 5 SERVICE

L'entretien nécessite un soin extrême et une connaissance approfondie du système, et ne doit être effectué que par un technicien qualifié. Pour l'entretien, nous vous suggérons de retourner la machine à votre CENTRE DE SERVICE AUTORISÉ le plus proche pour réparation. Utilisez uniquement des pièces de rechange et des accessoires identiques du fabricant.

## 6 ÉLIMINATION DES BATTERIES SANS DANGER POUR L'ENVIRONNEMENT



**FR** Les matières toxiques et corrosives ci-dessous se trouvent dans les batteries utilisées dans cette machine : **Lithium-ion, une substance toxique.**

## ▲ AVERTISSEMENT

Éliminez toutes les substances toxiques d'une manière spécifiée afin de prévenir la contamination de l'environnement. Avant de jeter une batterie Li-ion endommagée ou usée, contactez votre agence locale d'élimination des déchets ou l'agence locale de protection de l'environnement pour obtenir des informations et des instructions spécifiques. Apportez les batteries à un centre local de recyclage ou d'élimination certifié pour l'élimination de batteries au lithium-ion.

## ▲ AVERTISSEMENT

Si la batterie se fend ou se brise, avec ou sans fuites, ne la rechargez pas et ne l'utilisez pas. Jetez-la et remplacez-la par une nouvelle batterie. **N'ESSAYEZ PAS DE LA RÉPARER !** Pour prévenir les blessures et les risques d'incendie, d'explosion ou de choc électrique, et pour éviter tout dommage à l'environnement :

- Couvrez les bornes de la batterie avec du ruban adhésif résistant.
- **NE PAS** essayer d'enlever ou de détruire les composants de la batterie.
- **NE PAS** essayer d'ouvrir ou de réparer la batterie.
- En cas de fuite, les électrolytes rejetés sont corrosifs et toxiques. **NE PAS** laisser entrer la solution dans les yeux ou en contact avec la peau et ne pas l'avaler.
- **NE PAS** jeter vos batteries usagées dans votre poubelle à ordures ménagères.
- **NE PAS** incinérer.
- **NE LES** Mettez **PAS** dans un endroit où ils feront partie d'un site d'enfouissement de déchets ou d'un flux de déchets solides municipaux.
- Emmenez-les dans un centre de recyclage ou d'élimination certifié.

## 7 PROPOSITION 65

### ▲ AVERTISSEMENT

Ce produit contient un produit chimique connu dans l'état de Californie comme étant une cause de cancer, de malformations congénitales ou d'autres problèmes de reproduction. Certaines poussières produites par le ponçage mécanique, le sciage, le meulage, le perçage et d'autres activités de construction contiennent des produits chimiques connus pour causer le cancer, des malformations congénitales ou d'autres problèmes de reproduction. Voici quelques exemples de ces produits chimiques :

- Plomb provenant de peintures à base de plomb;
- Silice cristalline provenant de briques, de ciment et d'autres produits de maçonnerie;
- Arsenic et chrome provenant de bois traité chimiquement.

Votre risque d'exposition à ces produits chimiques varie selon la fréquence à laquelle vous faites ce type de travail. Pour réduire votre exposition à ces produits chimiques, travaillez dans un endroit bien ventilé et utilisez un équipement de sécurité approuvé, comme des masques anti-poussière spécialement conçus pour filtrer les particules microscopiques.

## 8 INSTALLATION

### ▲ AVERTISSEMENT

Retirez le bloc-batterie de la machine avant l'installation.

### ▲ AVERTISSEMENT

N'utilisez pas d'accessoire non recommandé pour cette machine.

### 8.1 DÉBALLEZ LA MACHINE

#### ▲ AVERTISSEMENT

Assurez-vous d'assembler correctement la machine avant de l'utiliser.

#### ▲ AVERTISSEMENT

- Si les pièces sont endommagées, n'utilisez pas la machine.
- Si vous n'avez pas toutes les pièces, n'utilisez pas la machine.
- Si les pièces sont endommagées ou manquantes, communiquez avec le centre de service.

1. Ouvrez l'emballage.
2. Lisez la documentation contenue dans la boîte.
3. Retirez toutes les pièces non assemblées de la boîte.
4. Retirez la machine de sa boîte.

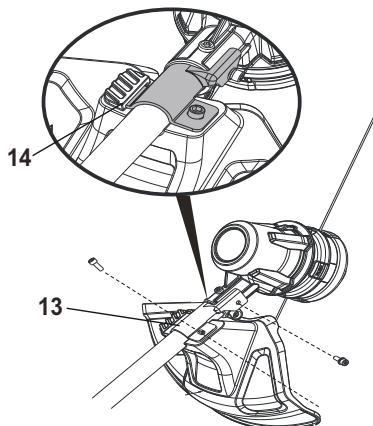
5. Jetez la boîte et l'emballage en respectant les règlements locaux.

## 8.2 ATTACHEZ LA GARDE PROTECTRICE

### ▲ AVERTISSEMENT

Ne touchez pas la lame de coupe.

1. Placez l'arbre dans la rainure de la garde protectrice.
2. Placez le support (13) dans la fente (14).
3. Alignez les trous de vis sur la garde protectrice avec le trou de vis sur la garde protectrice.
4. Serrez les vis.



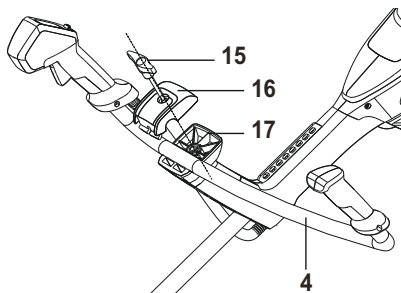
## 8.3 ATTACHEZ LA POIGNÉE AUXILIAIRE

1. Desserrez la poignée centrale (15).
2. Retirez le capuchon (16) et le support inférieur (17).

### i REMARQUE

N'oubliez pas le ressort du support.

3. Mettez la poignée supplémentaire (4) dans le support inférieur.
4. Placez le capuchon dans le support inférieur.
5. Placez le bloc entier dans le boîtier situé sur le manche.
6. Placez la poignée auxiliaire dans une position confortable.
7. Serrez la poignée auxiliaire à l'aide de la poignée centrale.



## 8.4 INSTALLEZ LE BLOC-BATTERIE

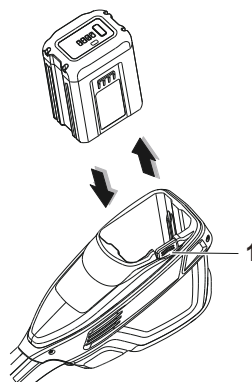
### ▲ AVERTISSEMENT

- Si le bloc-batterie ou le chargeur est endommagé, remplacez-le, au besoin.
- Arrêtez la machine et attendez que le moteur s'arrête avant d'installer ou de retirer le bloc-batterie.
- Lisez, comprenez et suivez les instructions du manuel de la batterie et du chargeur.

1. Alignez les nervures de levage du bloc-batterie avec les rainures du compartiment à piles.
2. Poussez le bloc-batterie dans le compartiment jusqu'à ce qu'il soit bien encliqueté.
3. Vous devriez entendre un clic lorsque le bloc-batterie sera inséré correctement.

## 8.5 RETIREZ LE BLOC-BATTERIE

1. Poussez et maintenez enfoncé le bouton de déblocage de la batterie(1).
2. Retirez le bloc-batterie de la machine.



## 9 UTILISATION

### **i** IMPORTANT

Avant d'utiliser la machine, lisez et comprenez les consignes de sécurité et les instructions d'utilisation.

### **▲** AVERTISSEMENT

Soyez prudent lorsque vous utilisez la machine.

### 9.1 COMMANDES

#### 9.1.1 BOUTON MARCHÉ/ARRÊT



Pressez ce bouton pour connecter et déconnecter le circuit électrique de la machine.

**Lumière verte allumée (G) :** le circuit électrique de la machine est en marche (ON). La machine s'apprête à fonctionner.

### **i** REMARQUE

Si vous n'utilisez pas la machine durant plus de 30 s, celle-ci s'arrête.

**Lumières éteintes :** le circuit électrique est éteint (OFF).

### **i** IMPORTANT

Ne laissez pas votre doigt sur le bouton lorsque vous déplacez la machine pour éviter tout démarrage accidentel.

#### 9.1.2 BOUTON MARCHÉ-ARRIÈRE



1. Si l'herbe s'enroule autour de la tête du coupe-herbe ou de la lame, pressez le bouton marche-arrière.
2. Redémarrez la machine.

#### 9.1.3 TÉMOIN LED



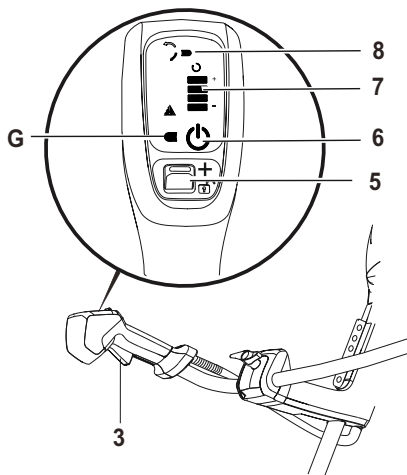
1. 4 lumières vertes s'allument lorsque vous démarrez la machine.
2. Appuyez sur le bouton de vitesse pour régler la vitesse.

### 9.2 DÉMARREZ LA MACHINE

1. Appuyez sur le bouton marche/arrêt (6).
2. Appuyez sur le bouton de verrouillage (5) arrière.
3. Appuyez sur la gâchette (3).

### 9.3 ARRÊTEZ LA MACHINE

1. Relâchez la gâchette.
2. Appuyez sur le bouton marche/arrêt pour éteindre la machine.



### 9.4 CONSEILS SUR L'UTILISATION

#### **▲** AVERTISSEMENT

Respectez l'espace libre entre le corps et la machine.

#### **▲** AVERTISSEMENT

N'utilisez pas la machine sans la garde protectrice en place.

#### Voici quelques conseils pour l'utilisation de la machine

- Maintenez la machine branchée au harnais correctement porté.
- Tenez fermement la machine avec les deux mains pendant son utilisation.
- Coupez l'herbe haute du haut vers le bas.

#### Si l'herbe s'enroule autour de la tête de coupe :

- Retirez le bloc-batterie.
- Retirez l'herbe.

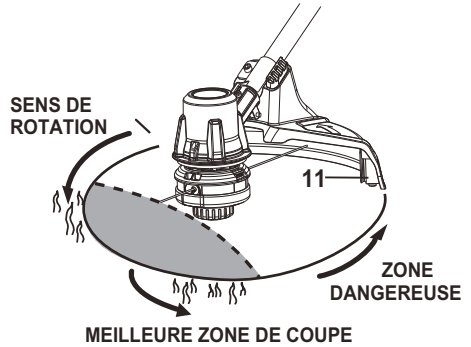


### 9.5 LAME DE COUPE DE LA LIGNE

Ce coupe-herbe est équipé d'une lame de tronçonnage (11) sur la garde protectrice. La lame de coupe de la ligne coupe en continu la ligne pour assurer un diamètre de coupe constant et efficace. Avancez la ligne chaque fois que vous entendez le moteur tourner plus vite que d'habitude, ou lorsque l'efficacité du réglage diminue. Cela permettra de maintenir les meilleures performances et de garder la ligne assez longtemps pour avancer correctement.

### 9.6 CONSEILS DE COUPE

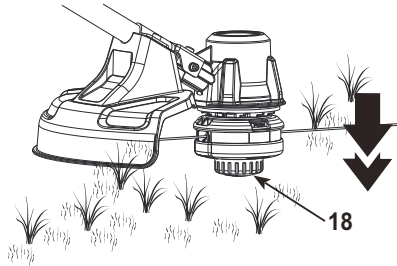
- Inclinez la machine vers la zone à couper. Utilisez l'extrémité de la ligne de coupe pour couper l'herbe.
- Déplacez la machine de la droite vers la gauche pour éviter que des débris ne soient projetés vers l'opérateur.
- Ne coupez pas dans la zone dangereuse.
- Ne forcez pas la tête de coupe dans l'herbe non coupée.
- Les fils de fer et les clôtures de piquets causent l'usure et la rupture de la ligne de coupe. Les pierres et les murs de brique, les bordures et le bois peuvent user rapidement la ligne de coupe.



### 9.7 RÉGLEZ LA LONGUEUR DE LA LIGNE DE COUPE

N'insérez pas des objets dans les ouvertures de ventilation. Vous pouvez régler la longueur de la ligne de coupe.

1. Frappez la tête de coupe contre le sol pendant que vous utilisez la machine.
2. La ligne est automatiquement débloquée et la lame de coupe la longueur excédentaire.



## 10 ENTRETIEN

### **i** IMPORTANT

Lisez et comprenez les consignes de sécurité et les instructions d'entretien avant de nettoyer, de réparer ou d'effectuer des travaux d'entretien sur la machine.

### **i** IMPORTANT

Assurez-vous que tous les écrous, les boulons et les vis sont bien serrés. Vérifiez régulièrement que les poignées sont bien serrées.

### **i** IMPORTANT

Utilisez uniquement les pièces de rechange et les accessoires du fabricant initial.

## 10.1 INFORMATIONS GÉNÉRALES

### **i** IMPORTANT

Seul votre concessionnaire ou un centre de service agréé peut effectuer l'entretien qui n'est pas indiqué dans ce manuel.

Avant les opérations d'entretien :

- Arrêtez la machine.
- Retirez le bloc-batterie.
- Laissez le moteur se refroidir.
- Entrez la machine dans un endroit frais et sec.
- Portez des vêtements, des gants de protection et des lunettes de sécurité appropriés.

## 10.2 NETTOYEZ LA MACHINE

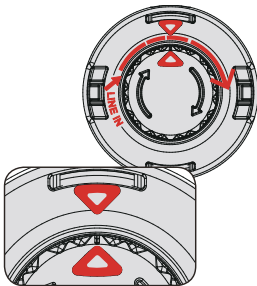
- Nettoyez la machine après utilisation avec un chiffon humide trempé dans un détergent neutre.
- N'utilisez pas de détergents ou de solvants agressifs pour nettoyer les pièces en plastique ou les poignées.
- Gardez la tête de coupe exempte d'herbe, de feuilles ou de graisse excessive.
- Gardez les événements d'aération propres et exempts de débris pour éviter la surchauffe et les dommages au moteur ou à la batterie.
- Ne pulvérisez pas de l'eau sur le moteur et les composants électriques.

## 10.3 INSTALLEZ LA LIGNE DE COUPE

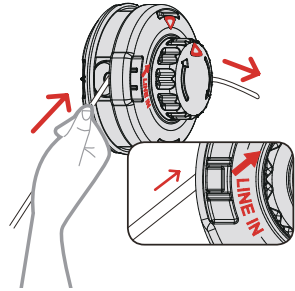
### **i** REMARQUE

Ne mettez pas plus de 4,5 m (15 pi) de ligne de coupe à la fois.

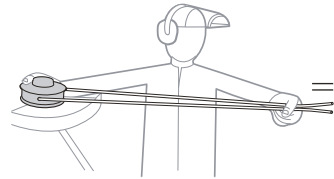
1. Retirez la ligne de coupe restante sur la bobine.
2. Alignez les fentes de la bobine avec les fentes de la tête de coupe.



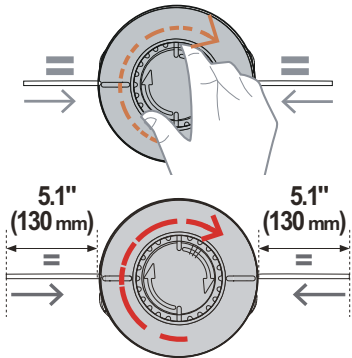
3. Passez l'extrémité de la ligne de coupe à travers le trou. Poussez la ligne de coupe jusqu'à ce qu'elle sorte par le trou opposé.



4. Tirez la ligne de coupe jusqu'à ce qu'il y ait une longueur égale de ligne de coupe de chaque côté.



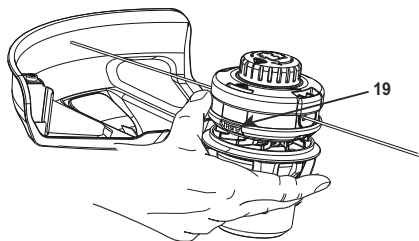
5. Tournez le capuchon de bobine dans le sens des aiguilles d'une montre pour enrouler la ligne de coupe dans la tête de coupe. Conservez environ 5" de ligne de coupe au-dessus de chaque côté de la tête de coupe.



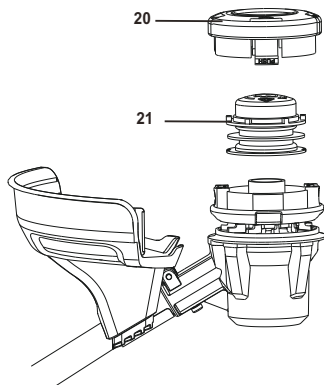
## 10.4 REMPLACEZ LA BOBINE

1. Poussez les languettes (19) sur les côtés de la tête de coupe en même temps.





2. Tirez et démontez le couvercle de la bobine (20).



3. Retirez la bobine restante (21).
4. Insérez la bobine dans le boîtier de la bobine.

### **i** REMARQUE

Assurez-vous que vous avez mis la ligne de coupe dans la fente de la nouvelle bobine et qu'elle est sortie d'environ 15 cm avant d'installer la nouvelle bobine.

5. Passez les extrémités des lignes de coupe à travers les trous.
6. Rallongez la ligne de coupe pour la dégager de la fente de guidage de la bobine.
7. Poussez les languettes et installez le couvercle de la bobine sur le boîtier de la bobine.
8. Poussez le couvercle de la bobine jusqu'à ce qu'il s'enclenche en position.

## 10.5 REMPLACEZ LA LIGNE DE COUPE

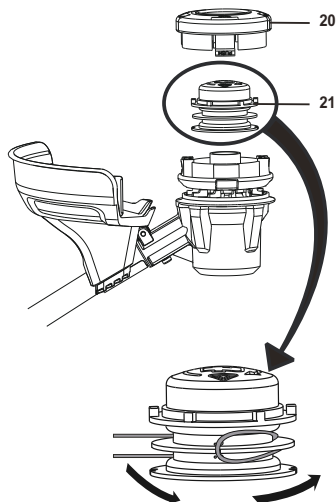
### **i** REMARQUE

Retirez la ligne de coupe restante sur la bobine.

### **i** REMARQUE

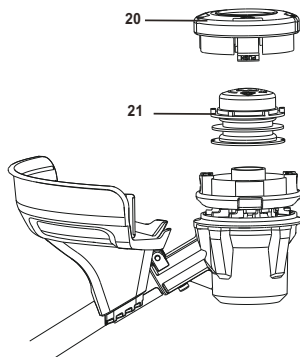
Utilisez uniquement avec la ligne de coupe en nylon de 0.094" (2.4 mm) diamètre.

1. Couper un morceau de ligne de coupe d'environ 3 m de long.
2. Pliez la ligne au milieu et accrochez la boucle dans la fente du bord central de la bobine. Veillez à ce que la ligne s'enclenche dans la fente.
3. Avec votre doigt entre les lignes, enroulez les lignes de façon égale et serrée autour de la bobine dans la direction indiquée.
4. Placez les lignes dans les fentes de guidage.
5. N'enroulez pas les lignes au-delà du bord de la bobine.



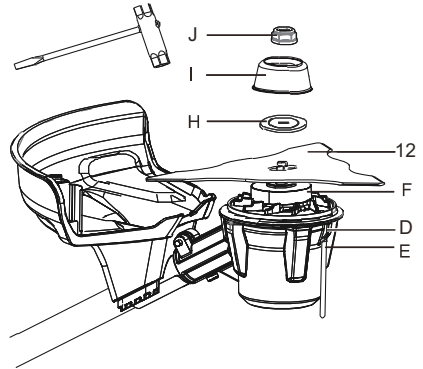
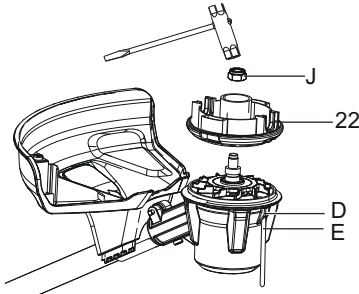
## 10.6 RETIREZ LA TÊTE DE COUPE

1. Insérez la tige métallique (E) dans le trou (D) de transmission angulaire spécifié pour fixer la tête de coupe.
2. Retirez le couvercle de la bobine et la bobine.



3. Désserrez l'écrou (J) de la tête de coupe dans le sens des aiguilles d'une montre avec une clé.

- Retirez la tête de coupe.



## 10.7 ASSEMBLEZ LA TÊTE DE COUPE

- Placez la tête de coupe dans le boîtier.
- Installez l'écrou.
- Insérez la tige métallique dans le trou de transmission angulaire spécifié pour fixer la tête de coupe.
- Serrez l'écrou de la tête de coupe dans le sens inverse des aiguilles d'une montre avec une clé.

### **i** IMPORTANT

Vous devez installer la lame de coupe lorsque vous utilisez la tête de coupe.

## 10.8 RETIREZ LE TAILLE-BROSSAILLES

### ▲ AVERTISSEMENT

Placez la protection sur la lame.

- Insérez la tige métallique (E) dans le trou (D) de transmission angulaire spécifié pour fixer la tête de coupe.
- Désérrez l'écrou (J) dans le sens des aiguilles d'une montre et retirez le réservoir externe (I).
- Retirez le disque (H) et la lame de taille-brossailles.
- Retirez le réservoir interne (F).

## 10.9 MONTER LE TAILLE-BROSSAILLES

### ▲ AVERTISSEMENT

Portez des gants et faites attention aux extrémités tranchantes.

### ▲ AVERTISSEMENT

Placez la protection sur la lame.

### ▲ AVERTISSEMENT

Utilisez l'écrou spécial en nylon qui est emballé avec la lame, pour monter la lame.

### ▲ AVERTISSEMENT

Vous devez changer l'écrou après 20 utilisations.

- Insérez la tige métallique (E) dans le trou (D) de transmission angulaire spécifié pour fixer la tête de coupe.
- Placez le réservoir interne (F) au centre du manche.
- Placez la lame du taille-brossailles (12) au-dessus du réservoir interne. Assurez-vous que la lame se trouve au centre.
- Placez le disque (H) au-dessous de la lame.
- Placez le réservoir externe au-dessus du disque (I).
- Placez l'écrou de verrouillage au-dessus du réservoir externe.
- Serrez l'écrou de verrouillage (J) dans le sens inverse des aiguilles d'une montre sur 44-58" N.M de serrage avec une clé de 19mm.

## 11 TRANSPORT ET ENTREPOSAGE

### 11.1 DÉPLACEZ LA MACHINE

Lorsque vous déplacez la machine, il faut toujours faire ce qui suit :

- Portez des gants.
- Arrêtez la machine.
- Retirez le bloc-batterie et chargez-le.
- Assemblez le protège-lame.

### 11.2 ENTREPOSEZ LA MACHINE

- Retirez le bloc-batterie de la machine.
- Assurez-vous que les enfants ne peuvent pas s'approcher de la machine.
- Gardez la machine loin des agents corrosifs, tels que les produits chimiques de jardin et les sels de déglaceage.
- Protégez la machine pendant le transport pour éviter tout dommage ou blessure. Nettoyez la machine et vérifiez qu'elle n'est pas endommagée.

## 12 DÉPANNAGE

Problème	Cause possible	Solution
Le moteur ne démarre pas lorsque vous appuyez sur la gâchette.	Pas de contact électrique entre la machine et le bloc-batterie.	1. Retirez le bloc-batterie. 2. Vérifiez le contact et réinstallez le bloc-batterie.
	Le bloc-batterie est déchargé.	Rechargez le bloc-batterie.
	Le bouton de verrouillage et la gâchette ne sont pas enfoncés en même temps.	1. Appuyez sur le bouton de verrouillage et maintenez-le enfoncé. 2. Appuyez sur la gâchette pour démarrer la machine.

Problème	Cause possible	Solution
La machine s'arrête lorsque vous coupez l'herbe.	La garde protectrice n'est pas attachée à la machine.	Retirez le bloc-batterie et installez la garde protectrice à la machine.
	Une ligne de coupe lourde est utilisée.	Utilisez uniquement avec la ligne de coupe en nylon de 0.094" (2.4 mm) diamètre.
	L'herbe s'enroule autour de l'arbre du moteur ou de la tête de coupe.	1. Arrêtez la machine. 2. Retirez le bloc-batterie. 3. Enlevez l'herbe de l'arbre du moteur et de la tête de coupe.
	Le moteur est surchargé.	1. Retirez la tête de coupe de l'herbe. 2. Le moteur se remet en marche dès que la charge est retirée. 3. Lorsque vous coupez, déplacez la tête de coupe dans le gazon à couper et hors de celui-ci et n'enlevez pas plus de 8" en un passage.
Le bloc-batterie ou la machine est trop chaude.	La batterie est déconnectée de l'outil.	1. Laissez refroidir la batterie jusqu'à ce que son fonctionnement revienne à la normale. 2. Laissez refroidir la machine pendant environ 10 minutes.
	La batterie est déconnectée de l'outil.	Réinstallez le bloc-batterie.
	Le bloc-batterie est déchargé.	Rechargez le bloc-batterie.
La ligne n'avance pas.	Les lignes sont soudées entre elles.	Lubrifiez avec du silicone en vaporisateur.
	Pas assez de lignes sur la bobine.	Installez plus de lignes.
	Les lignes sont devenues trop courtes.	Avancez la ligne de coupe.
	Les lignes sont emmêlées sur la bobine.	1. Retirez les lignes de la bobine. 2. Enroulez les lignes.

Problème	Cause possible	Solution
La ligne ne cesse de se briser.	La machine n'est pas utilisée correctement.	1. Coupez avec le bout de la ligne, évitez les pierres, les murs et autres objets durs.  2. Avancez régulièrement la ligne de coupe pour conserver toute la largeur de coupe.
L'herbe s'enroule autour de la tête de coupe et du boîtier du moteur.	Coupez l'herbe haute au niveau du sol.	1. Coupez l'herbe haute du haut vers le bas.  2. N'enlevez pas plus de 8" à chaque passage pour éviter l'enroulement.
La ligne ne coupe pas bien.	La lame de coupe s'est émoussée.	Affûtez la lame de coupe avec une lime ou remplacez-la.
Les vibrations augmentent visiblement.	La ligne est utilisée d'un côté et n'est pas avancée à temps.	Assurez-vous que la ligne des deux côtés est normale. Avancez la ligne.

## 13 DONNÉES TECHNIQUES

Type	Sans fil, à batterie
Moteur	82V DC Sans balais
Vitesse à vide	4500-5500-6000-6300 RPM ±10% tr/min
Diamètre de la ligne de coupe	0.094" (2.4 mm)
Diamètre de coupe	Coupe-herbe: 18" (457mm); Taille-broussailles: 12" (305mm)
Type de flux	Avance par coups
Poids (sans batterie)	5.83 kg
Batterie (modèle)	GLW 200/GLW 300 et autres séries BAB
Chargeur (modèle)	GC 400 et autres séries CAB

### La plage de température ambiante recommandée :

Article	Température
Plage de température d'entreposage du coupe-herbe	32°F (0°C) - 113°F (45°C)

Article	Température
Plage de température de fonctionnement du coupe-herbe	32°F (0°C) - 113°F (45°C)
Plage de température de rechargement de la batterie	39°F (4°C) - 104°F (40°C)
Plage de température de fonctionnement du chargeur	39°F (4°C) - 104°F (40°C)
Plage de température d'entreposage de la batterie	32°F (0°C) - 113°F (45°C)
Plage de température de déchargement de la batterie	32°F (0°C) - 113°F (45°C)

## 14 GARANTIE LIMITÉE



Greenworks garantit ce produit, à l'acheteur original avec preuve d'achat, 2 ans de garantie sur le groupe motopropulseur commercial, 2 ans de garantie sur la batterie commerciale contre les défauts de matériaux, pièces ou main d'œuvre. Greenworks, à sa propre discrétion, réparera ou remplacera toutes les pièces défectueuses, dans des conditions normales d'utilisation, sans frais pour le client. Cette garantie n'est valable que pour les appareils qui ont été utilisés à des fins personnelles ou commerciales et qui ont été entretenus conformément aux instructions du manuel du propriétaire fourni avec le produit neuf.

### GARANTIE LIMITÉE DE 2 ANS SUR LE GROUPE MOTOPROPULSEUR:

- Moteur
- Cartes de circuits imprimés
- Boîte d'engrenage
- 2 ans à compter de la date d'achat (non transférable)

### GARANTIE LIMITÉE DE 2 ANS SUR LA BATTERIE:

- Batteries commerciales Greenworks (GL 250, GL 400, GL 500, GL 900, GLW 300, GLW 600, GL400BT et autres séries)
- 2 ans à compter de la date d'achat (non transférable)

### GARANTIE LIMITÉE DE 60 JOURS SUR LES PIÈCES D'USURE:

- Guide-chaînes
- Lames

- Gardes protectrices
- Chaînes
- Têtes d'avance par coups
- Dents
- 60 jours à compter de la date d'achat (non transférable)

## **EXCLUSIONS, LIMITATIONS ET DROITS DE GARANTIE:**

1. Toutes les garanties ne peuvent pas être transférées par le consommateur à un acheteur subséquent.
2. Pièces ou composants non fournis par le garant, ou pièces ou composants qui ont été modifiés.
3. Toute défaillance résultant de l'utilisation d'outils ou de procédures de réparation inappropriés.
4. Toute défaillance résultant de l'utilisation d'outils ou de procédures de réparation inappropriés.
5. Toute panne ou pièce devenue inopérante en raison d'un accident, d'un choc, d'un abus, d'une mauvaise utilisation, d'une négligence, d'une mauvaise manipulation, de l'éroussement des tranchants ou d'un défaut d'utilisation du produit conformément aux informations fournies dans le mode d'emploi fourni avec le produit.
6. Articles d'entretien courant tels que lubrifiants, affûtage des lames.
7. L'appareil, s'il n'a pas été utilisé et/ou entretenu conformément au manuel du propriétaire.
8. L'appareil, s'il n'a pas été utilisé et/ou entretenu conformément au manuel du propriétaire.

## **ASSISTANCE TÉLÉPHONIQUE DE GREENWORKS:**

Le service de garantie est disponible en appelant notre ligne d'assistance téléphonique sans frais, au 1-855-470-4267.

## **FRAIS DE TRANSPORT :**

Les frais de transport pour le déplacement de tout équipement motorisé ou accessoire sont à la charge de l'acheteur. Il incombe à l'acheteur de payer les frais de transport pour toute pièce retournée pour remplacement en vertu de la présente garantie, à moins qu'un tel retour soit demandé par écrit par Greenworks.

**Greenworks Tools  
P.O. Box 1238  
Mooresville, NC 28115**

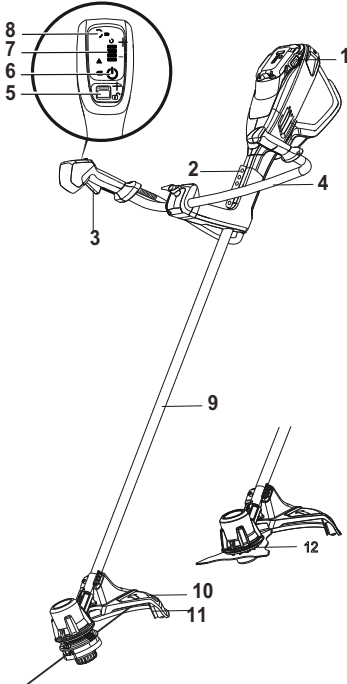
<b>1</b>	<b>Descripción.....</b>	<b>31</b>			
1.1	Finalidad.....	31	9.3	Detención de la máquina.....	36
1.2	Perspectiva general.....	31	9.4	Consejos de funcionamiento.....	36
<b>2</b>	<b>Instrucciones importantes de seguridad.....</b>	<b>31</b>	9.5	Cuchilla de corte de hilo.....	37
<b>3</b>	<b>Símbolos en el producto.....</b>	<b>33</b>	9.6	Consejos de corte.....	37
<b>4</b>	<b>Niveles de riesgo.....</b>	<b>33</b>	9.7	Ajuste de la longitud del hilo de corte.....	37
<b>5</b>	<b>Servicio.....</b>	<b>33</b>	<b>10</b>	<b>Mantenimiento.....</b>	<b>37</b>
<b>6</b>	<b>Eliminación de batería segura para el medio ambiente.....</b>	<b>33</b>	10.1	Información general.....	38
<b>7</b>	<b>Propuesta 65.....</b>	<b>34</b>	10.2	Limpieza de la máquina.....	38
<b>8</b>	<b>Instalación.....</b>	<b>34</b>	10.3	Instalación del hilo de corte.....	38
8.1	Desembalaje de la máquina.....	34	10.4	Sustitución del carrete.....	38
8.2	Fijación de la protección.....	35	10.5	Sustitución del hilo de corte.....	39
8.3	Fijación del asa auxiliar.....	35	10.6	Retirada del cabezal de corte.....	39
8.4	Instalación de la batería.....	35	10.7	Montaje del cabezal de corte.....	40
8.5	Retirada de la batería.....	35	10.8	Retirada de la desbrozadora.....	40
<b>9</b>	<b>Funcionamiento.....</b>	<b>35</b>	10.9	Montaje de la desbrozadora.....	40
9.1	Controles.....	35	<b>11</b>	<b>Transporte y almacenamiento.....</b>	<b>40</b>
9.2	Puesta en marcha de la máquina.....	36	11.1	Traslado de la máquina.....	40
			11.2	Almacenamiento de la máquina.....	41
			<b>12</b>	<b>Solución de problemas.....</b>	<b>41</b>
			<b>13</b>	<b>Datos técnicos.....</b>	<b>42</b>
			<b>14</b>	<b>Garantía limitada.....</b>	<b>42</b>

## 1 DESCRIPCIÓN

### 1.1 FINALIDAD

Esta máquina se utiliza para cortar hierba, maleza ligera y otra vegetación similar a nivel del suelo. El plano de corte debe estar aproximadamente paralelo a la superficie del suelo. No puede utilizar la máquina para cortar o podar setos, arbustos, matorrales, flores y compost.

### 1.2 PERSPECTIVA GENERAL



- 1 Botón de desbloqueo de la batería
- 2 Asa de transporte
- 3 Gatillo
- 4 Asa auxiliar
- 5 Botón de velocidad/botón de desbloqueo
- 6 Botón de encendido/apagado
- 7 Indicación LED
- 8 Botón de inversión
- 9 Eje
- 10 Protección
- 11 Cuchilla de corte
- 12 Cuchilla

## 2 INSTRUCCIONES IMPORTANTES DE SEGURIDAD

**LEA TODAS LAS INSTRUCCIONES ANTES DEL USO (DE ESTA HERRAMIENTA ELÉCTRICA)**

### ▲ AVISO

**Debe leer y entender todas las instrucciones antes de utilizar este producto.** El incumplimiento de las instrucciones indicadas a continuación puede provocar descargas eléctricas, incendios o lesiones personales graves.

- Utilice únicamente accesorios y piezas de repuesto idénticos del fabricante. El uso de cualquier otra pieza puede generar un riesgo o producir daños en el producto.
- Lleve siempre gafas de seguridad con protectores laterales marcadas para cumplir la ANSI Z87.1. Las gafas normales solo tienen lentes resistentes a impactos. NO son gafas de seguridad. Si sigue esta regla reducirá el riesgo de lesiones oculares. Utilice máscara facial si trabaja en espacios de trabajo con polvo.
- Evite los entornos peligrosos – No exponga las herramientas eléctricas a condiciones de humedad. Si penetra agua en una herramienta eléctrica, aumentará el riesgo de descarga eléctrica.
- No utilice bajo la lluvia.
- Mantenga a todos los transeúntes, niños y mascotas al menos a 15 m.
- Lleve indumentaria adecuada – No lleve ropa o joyas sueltas. Pueden quedar atrapadas en las piezas móviles. Se recomienda el uso de guantes de goma y calzado resistente cuando se trabaje en el exterior. Lleve una protección capilar para sujetar el cabello largo.
- Utilice el aparato adecuado. No utilice el aparato para trabajos distintos del previsto.
- Evite la puesta en marcha accidental – No transporte el aparato con el dedo sobre el interruptor. Asegúrese de que el interruptor esté desactivado al conectar la batería.
- No fuerce el aparato – Hará el trabajo mejor y con menos probabilidades de sufrir lesiones a la velocidad para la que se diseñó.
- No se estire – Mantenga en todo momento una postura adecuada y el equilibrio.
- Permanezca alerta – Observe lo que está haciendo. Utilice el sentido común. No utilice esta unidad cuando esté cansado, enfermo o bajo la influencia de alcohol, drogas o medicamentos.
- Almacene siempre las herramientas eléctricas inactivas en interiores – Cuando no estén en uso, las herramientas eléctricas deben almacenarse en interiores, en un lugar seco y alto o cerrado, fuera del alcance de los niños.
- Cuide el mantenimiento del aparato – Sustituya el cabezal de hilo si está agrietado, astillado o dañado de alguna manera. Asegúrese de que el cabezal de hilo esté correctamente instalado y bien fijado. Mantenga el filo afilado y limpio para un mejor rendimiento y para reducir

el riesgo de lesiones. Siga las instrucciones para la lubricación y el cambio de accesorios. Inspeccione periódicamente el cable del aparato, y si está dañado, haga que lo repare un centro de servicio técnico autorizado. Inspeccione periódicamente los cables alargadores y sustitúyalos si están dañados. Mantenga las asas secas, limpias y sin restos de aceite y grasa. De no hacerlo podrían producirse lesiones graves.

- Compruebe las piezas dañadas antes de utilizar el aparato, una protección u otra pieza dañada debe comprobarse detenidamente para determinar si funcionará correctamente y cumplirá su función prevista. Compruebe la alineación de las piezas móviles, la unión de las partes móviles, la rotura de piezas, los montajes dañados y cualquier otra condición que pueda afectar a su funcionamiento. Una protección u otra pieza que esté dañada debe ser reparada o sustituida debidamente por un centro de servicio autorizado, a menos que se indique lo contrario en este manual.
- Retire o desconecte la batería antes de reparar, limpiar o retirar material del aparato de jardinería.
- No modifique ni intente reparar el aparato o la batería (según corresponda), excepto lo indicado en las instrucciones de uso y cuidado. Utilice los aparatos únicamente con las baterías designadas específicamente. El uso de cualquier otra batería puede dar lugar a un riesgo de lesiones e incendio. Utilice únicamente la batería Greenworks GLW 200/GLW 300 u otra serie BAB.
- Recargue solo con el cargador especificado por el fabricante. Un cargador adecuado para un tipo de batería puede dar lugar a un riesgo de incendio cuando se usa con otra batería. Utilice únicamente el cargador Greenworks GC 400 u otra serie CAB.
- Cuando la batería no esté en uso, manténgala alejada de otros objetos metálicos como clips, monedas, llaves, clavos, tornillos u otros objetos metálicos pequeños que puedan hacer una conexión entre los terminales. El cortocircuito de los terminales de la batería puede provocar un incendio.
- Bajo condiciones abusivas, es posible que salga líquido despedido de la batería; evite el contacto. Si se produce un contacto accidental, aclare con agua. Si el líquido entra en contacto con los ojos, acuda también al médico. El líquido despedido de la batería puede provocar irritación o quemaduras.
- No utilice una batería o un aparato que haya sufrido daños o modificaciones. Las baterías dañadas o modificadas pueden exhibir un comportamiento impredecible que puede dar lugar a un incendio, una explosión o un riesgo de lesiones.
- No exponga una batería o un aparato al fuego ni a temperaturas excesivas. La exposición al fuego o a una temperatura superior a 265 °F (130 °C) puede provocar una explosión.
- No deseche las baterías en el fuego. Las celdas pueden explotar. Compruebe los códigos locales para conocer las posibles instrucciones especiales de eliminación.











- No abra ni desguace las baterías. El electrolito liberado es corrosivo y puede producir daños a los ojos o la piel. Puede ser tóxico en caso de ingestión.
- Tenga cuidado al manipular las baterías para no cortocircuitarlas con materiales conductores como anillos, pulseras y llaves. La batería o el conductor puede sobrecalentarse y producir quemaduras.
- Siga todas las instrucciones de carga y no cargue la batería o el aparato fuera del intervalo de temperatura especificado en las instrucciones. La carga incorrecta o a temperaturas fuera del intervalo especificado puede dañar la batería y aumentar el riesgo de incendio.
- Solicite a un técnico de reparación cualificado que realice las tareas de servicio utilizando únicamente piezas de repuesto idénticas. Esto garantizará el mantenimiento de la seguridad del producto.
- Mantenga las protecciones en su posición y en estado de funcionamiento.
- Mantenga las manos y los pies alejados de la zona de corte.
- Desconecte la batería del aparato antes de realizar ajustes, cambiar accesorios o almacenarlo. Estas medidas de seguridad preventivas reducen el riesgo de que el aparato se ponga en marcha accidentalmente.
- Utilice únicamente con el hilo de corte de nylon de 0.094" (2.4 mm) de diámetro. No utilice hilos más fuertes de lo recomendado por el fabricante ni materiales de hilo de otros tipos – por ejemplo, alambre, cuerda y similar.
- Tenga en cuenta el retroceso de la cuchilla:
  - El retroceso de la cuchilla puede producirse cuando la cuchilla giratoria entra en contacto con un objeto que no corta inmediatamente.
  - El retroceso de la cuchilla puede ser lo suficientemente violento como para hacer que la unidad o el operario sean propulsados en cualquier dirección, y posiblemente se pierda el control de la unidad.
  - El retroceso de la cuchilla puede producirse sin previo aviso si la cuchilla se engancha, se atasca o se agarra.
  - Es más probable que el retroceso de la cuchilla se produzca en zonas donde es difícil ver el material que se está cortando.
- Estado de la unidad antes del uso – Las asas deben montarse de acuerdo con las instrucciones del fabricante. No debe fijarse ninguna cuchilla a una unidad sin la instalación adecuada de todas las piezas necesarias. Si no se utilizan las piezas adecuadas, la cuchilla puede salir despedida y provocar daños graves al operario o a los transeúntes. Deseche las cuchillas que estén dobladas, deformadas, agrietadas, rotas o dañadas de algún otro modo. Utilice una cuchilla afilada. Una cuchilla desafilada tiene más probabilidades de engancharse y retroceder.

#### CONSERVE ESTAS INSTRUCCIONES






## 3 SÍMBOLOS EN EL PRODUCTO

En esta herramienta pueden utilizarse algunos de los siguientes símbolos. Le rogamos que los estudie y aprenda su significado. La interpretación correcta de estos símbolos le permitirá manejar la herramienta mejor y de manera más segura.

Símbolo	Explicación
V	Tensión
A	Corriente
Hz	Frecuencia (ciclos por segundo)
W	Potencia
min	Tiempo
/min	Revoluciones, carreras, velocidad de superficie, órbitas, etc., por minuto
≡	Corriente continua
	Precauciones que afectan a su seguridad.
	Lleve protección ocular.
	Lleve calzado de seguridad.
	Lleve guantes de protección.
	No exponga a la lluvia ni a condiciones de humedad.
	Tenga en cuenta el empuje de la cuchilla.
	Los objetos proyectados pueden rebotar y provocar lesiones personales o daños materiales. Lleve indumentaria de protección y botas.
	No utilice cuchillas de sierra.
	Mantenga a los transeúntes al menos a 15 m.
	Los objetos proyectados pueden rebotar y provocar lesiones personales o daños materiales.

## 4 NIVELES DE RIESGO

Las siguientes indicaciones y significados tienen como fin explicar los niveles de riesgo asociados a este producto.

SÍMBOLO	INDICACIÓN	SIGNIFICADO
	PELIGRO	Indica una situación de peligro inminente que, de no evitarse, provocará lesiones graves o incluso la muerte.
	ADVERTENCIA	Indica una situación de peligro potencial que, de no evitarse, podría provocar lesiones graves o incluso la muerte.
	PRECAUCIÓN	Indica una situación de peligro potencial que, de no evitarse, puede provocar lesiones leves o moderadas.
	PRECAUCIÓN	(Sin símbolo de alerta sobre seguridad) Indica una situación que puede provocar daños materiales.

## 5 SERVICIO

Las tareas de servicio exigen un cuidado extremo así como conocimientos y deben ser realizadas únicamente por un técnico de servicio cualificado. Para cuestiones de servicio, le recomendamos que devuelva la máquina al CENTRO DE SERVICIO AUTORIZADO más cercano para su reparación. Utilice únicamente accesorios y piezas de repuesto idénticos del fabricante.

## 6 ELIMINACIÓN DE BATERÍA SEGURA PARA EL MEDIO AMBIENTE



Los materiales tóxicos y corrosivos que figuran a continuación se encuentran en las baterías utilizadas en esta máquina: **Ion de litio, un material tóxico.**

**▲ AVISO**

Deseche todos los materiales tóxicos de una manera especificada para evitar la contaminación del medio ambiente. Antes de desechar una batería de ion de litio dañada o agotada, contacte con la agencia local de eliminación de residuos o con la agencia de protección ambiental local para obtener información e instrucciones específicas. Lleve las baterías a un centro de reciclaje o eliminación local, certificado para la eliminación de ion de litio.

**▲ AVISO**

Si la batería se agrieta o se rompe, con o sin fugas, no la recargue ni la utilice. Deséchela y sustitúyala por una batería nueva. ¡NO INTENTE REPARARLA! Para evitar lesiones y riesgos de incendio, explosión o descarga eléctrica, y para evitar daños al medio ambiente:

- Cubra los terminales de la batería con cinta adhesiva resistente.
- NO intente retirar o destruir ninguno de los componentes de la batería.
- NO intente abrir la batería.
- Si se produce una fuga, los electrolitos liberados son corrosivos y tóxicos. NO deje que la solución entre en contacto con los ojos o la piel, y no la ingiera.
- NO deseche estas baterías con la basura doméstica normal.
- NO incinere.
- NO lleve las baterías a lugares donde formarán parte de vertederos de residuos o flujos de residuos sólidos urbanos.
- Llévelas a un centro de reciclaje o eliminación certificado.

**7 PROPUESTA 65****▲ AVISO**

Este producto contiene una sustancia química conocida en el estado de California como causante de cáncer, defectos de nacimiento u otros daños reproductivos. El polvo generado por el lijado eléctrico, el serrado, el esmerilado, la perforación y otras actividades de construcción contiene sustancias químicas que se sabe que son causantes de cáncer, defectos de nacimiento u otros daños reproductivos. Algunos ejemplos de estas sustancias químicas son:

- Plomo de pinturas con base de plomo;
- Sílice cristalina de ladrillos y cemento y otros productos de albañilería;
- Arsénico y cromo de la madera tratada químicamente.

El riesgo de exposición a estas sustancias químicas varía según la frecuencia con la que realice este tipo de trabajo. Para reducir su exposición a estas sustancias químicas, trabaje en una zona bien ventilada y trabaje con equipos de seguridad aprobados, como máscaras antipolvo, que estén especialmente diseñadas para filtrar partículas microscópicas.

**8 INSTALACIÓN****▲ AVISO**

Retire la batería de la máquina antes de la instalación.

**▲ AVISO**

No utilice accesorios que no estén recomendados para esta máquina.

**8.1 DESEMBALAJE DE LA MÁQUINA****▲ AVISO**

Asegúrese de montar correctamente la máquina antes del uso.

**▲ AVISO**

- Si las piezas presentan daños, no utilice la máquina.
- Si no tiene todas las piezas, no utilice la máquina.
- Si faltan piezas o hay piezas dañadas, hable con el centro de servicio.

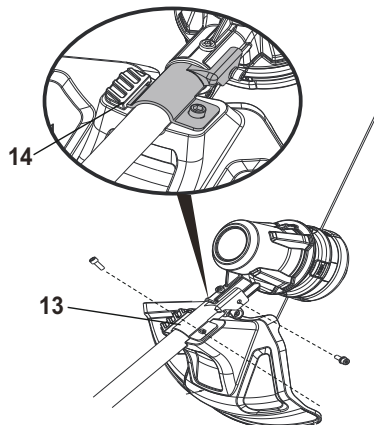
1. Abra el embalaje.
2. Lea la documentación que se encuentra en la caja.
3. Retire todas las piezas sin montar de la caja.
4. Retire la máquina de la caja.
5. Deseche la caja y el embalaje de conformidad con los reglamentos locales.

## 8.2 FIJACIÓN DE LA PROTECCIÓN

### ▲ AVISO

No toque la cuchilla de corte.

1. Ponga el eje en la ranura de la protección.
2. Introduzca el soporte (13) en la ranura (14).
3. Alinee el orificio de tornillo del soporte con el orificio de tornillo de la protección.
4. Apriete los tornillos.



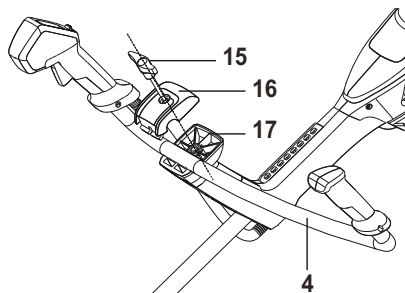
## 8.3 FIJACIÓN DEL ASA AUXILIAR

1. Afloje el mando central (15).
2. Retire la tapa (16) y el soporte inferior (17).

### i NOTA

No pierda el muelle del soporte.

3. Ponga el asa auxiliar (4) en el soporte inferior.
4. Ponga la tapa en el soporte inferior.
5. Ponga todo el bloque en su carcasa sobre el eje.
6. Sitúe el asa auxiliar en una posición cómoda.
7. Bloquee el asa auxiliar con el mando central.



## 8.4 INSTALACIÓN DE LA BATERÍA

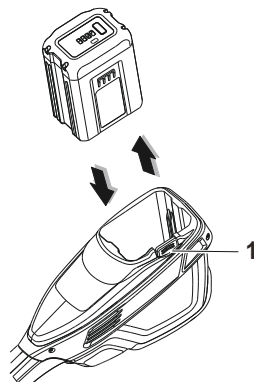
### ▲ AVISO

- Si la batería o el cargador ha sufrido daños, sustituya la batería o el cargador.
- Detenga la máquina y espere hasta que el motor se pare antes de instalar o retirar la batería.
- Debe leer, conocer y seguir las instrucciones del manual de la batería y el cargador.

1. Alinee las nervaduras de elevación de la batería con las ranuras del compartimento de la batería.
2. Introduzca la batería en el compartimento de la batería hasta que encaje en su posición.
3. Cuando escuche un clic, la batería está instalada.

## 8.5 RETIRADA DE LA BATERÍA

1. Pulse y mantenga pulsado el botón de desbloqueo de la batería (1).
2. Retire la batería de la máquina.



## 9 FUNCIONAMIENTO

### i IMPORTANTE

Antes de utilizar la máquina, debe leer y entender las normas de seguridad y las instrucciones de funcionamiento.

### ▲ AVISO

Tenga cuidado cuando utilice la máquina.

### 9.1 CONTROLES

#### 9.1.1 BOTÓN DE ENCENDIDO/APAGADO



Pulse este botón para conectar y desconectar el circuito eléctrico de la máquina.

**Piloto verde encendido (G):** el circuito eléctrico de la máquina está activado (ON). La máquina se prepara para funcionar.

## **i** NOTA

Si no utiliza la máquina durante más de 30 s, la máquina se detiene.

**Pilotos apagados:** el circuito eléctrico está desactivado (OFF).

## **i** IMPORTANTE

No mantenga el dedo sobre el botón cuando mueva la máquina para evitar la puesta en marcha accidental.

### 9.1.2 BOTÓN DE INVERSIÓN



1. Si se enrolla hierba alrededor del cabezal de corte o la cuchilla, pulse el botón de inversión.
2. Vuelva a poner en marcha la máquina.

### 9.1.3 INDICACIÓN LED



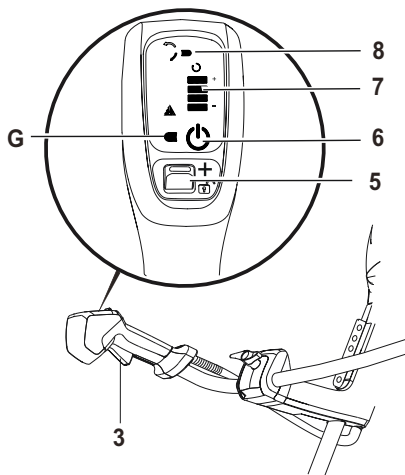
1. Hay 4 pilotos verdes encendidos cuando pone en marcha la máquina.
2. Empuje el botón de velocidad hacia delante para ajustar la velocidad.

## 9.2 PUESTA EN MARCHA DE LA MÁQUINA

1. Pulse el botón de encendido/apagado (6).
2. Empuje el botón de desbloqueo (5) hacia atrás.
3. Apriete el gatillo (3).

## 9.3 DETENCIÓN DE LA MÁQUINA

1. Suelte el gatillo.
2. Pulse el botón de encendido/apagado de nuevo para apagar la máquina.



## 9.4 CONSEJOS DE FUNCIONAMIENTO

### ▲ AVISO

Mantenga un espacio entre el cuerpo y la máquina.

### ▲ AVISO

No utilice la máquina sin la protección en su posición.

### Le sugerimos lo siguiente cuando utilice la máquina

- Mantenga la máquina conectada al arnés correctamente colocado.
- Mantenga una posición firme con las dos manos en la máquina mientras la utiliza.
- Corte la hierba alta de arriba a abajo.

### Si se enrolla hierba alrededor del cabezal de corte:

- Retire la batería.
- Quite la hierba.

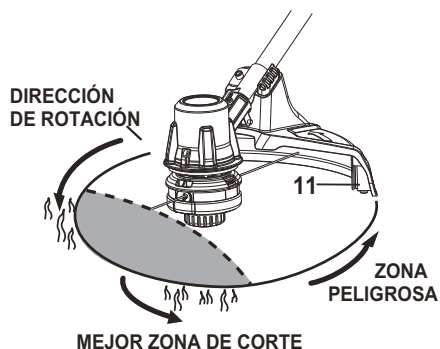


## 9.5 CUCHILLA DE CORTE DE HILO

Este cortabordes está equipado con una cuchilla de corte de hilo (11) en la protección. La cuchilla de corte de hilo recorta continuamente el hilo para garantizar un diámetro de corte uniforme y eficaz. Avance el hilo cada vez que escuche que el motor funciona más rápido de lo normal, o cuando la eficiencia del corte disminuya. Esto mantendrá el mejor rendimiento y mantendrá el hilo el tiempo suficiente para avanzar adecuadamente.

## 9.6 CONSEJOS DE CORTE

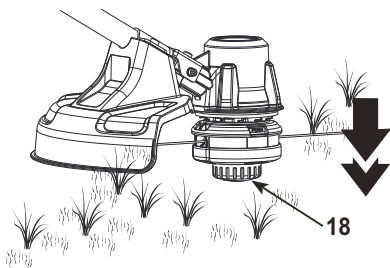
- Incline la máquina hacia la zona que va a cortar. Utilice la punta del hilo de corte para cortar hierba.
- Mueva la máquina de derecha a izquierda para evitar que salgan residuos despedidos hacia el operario.
- No corte en la zona peligrosa.
- No fuerce el cabezal de corte en hierba sin cortar.
- Las cercas de alambres y estacas provocan el desgaste y la rotura del hilo de corte. Las paredes de piedra y de ladrillo, los bordillos y la madera pueden desgastar rápidamente el hilo de corte.



## 9.7 AJUSTE DE LA LONGITUD DEL HILO DE CORTE

Mientras utiliza la máquina, el hilo de corte se desgasta y se acorta. Puede ajustar la longitud del hilo de corte.

1. Golpee el cabezal de corte contra el suelo mientras utiliza la máquina.
2. El hilo se libera automáticamente y la cuchilla de corte corta la longitud sobrante.



## 10 MANTENIMIENTO

### **i** IMPORTANTE

Debe leer y entender los reglamentos de seguridad y las instrucciones de mantenimiento antes de limpiar, reparar o realizar tareas de mantenimiento en la máquina.

### **i** IMPORTANTE

Asegúrese de que todas las tuercas, los pernos y los tornillos estén apretados. Examine periódicamente que las asas estén bien instaladas.

### **i** IMPORTANTE

Utilice únicamente las piezas de repuesto y los accesorios del fabricante original.

## 10.1 INFORMACIÓN GENERAL

### ¡ IMPORTANTE

Únicamente un distribuidor o un centro de servicio autorizado puede realizar el mantenimiento que no se indica en este manual.

Antes de las operaciones de mantenimiento:

- Detenga la máquina.
- Retire la batería.
- Deje que se enfríe el motor.
- Almacene la máquina en un lugar fresco y seco.
- Utilice ropa adecuada, guantes protectores y gafas de seguridad.

## 10.2 LIMPIEZA DE LA MÁQUINA

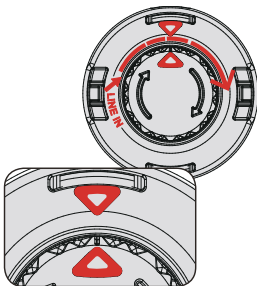
- Limpie la máquina después de utilizarla con un paño húmedo humedecido en detergente neutro.
- No utilice detergentes o disolventes agresivos para limpiar las piezas de plástico o las asas.
- Mantenga el cabezal de corte libre de hierba, hojas o grasa excesiva.
- Mantenga los respiraderos limpios y libres de residuos para evitar el sobrecalentamiento y daños al motor o la batería.
- No pulverice agua sobre el motor ni los componentes eléctricos.

## 10.3 INSTALACIÓN DEL HILO DE CORTE

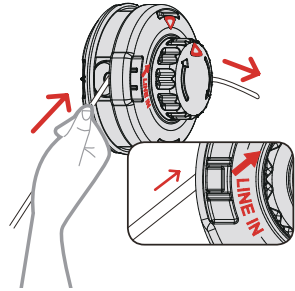
### ¡ NOTA

No ponga más de 5 m de hilo de corte cada vez.

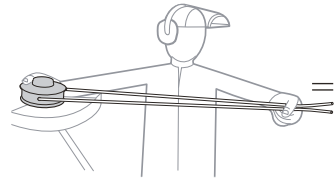
1. Retire el hilo de corte restante del carrete.
2. Alinee las ranuras de la tapa del carrete con las ranuras del cabezal de corte.



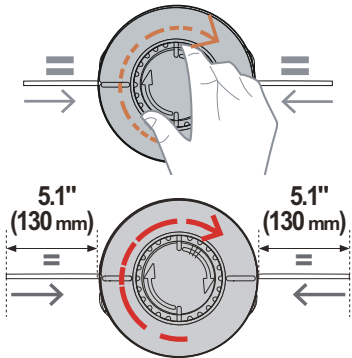
3. Introduzca el hilo de corte por el orificio. Introduzca el hilo de corte hasta que salga por el orificio contrario.



4. Tire del hilo de corte hasta que haya una cantidad igual de hilo de corte a cada lado.

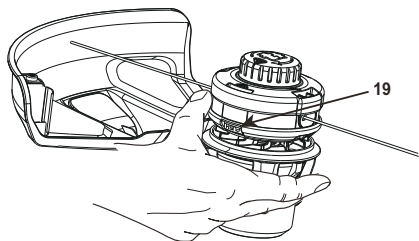


5. Gire la tapa del carrete en sentido horario para enrollar el hilo de corte en el cabezal de corte. Mantenga aproximadamente 12,5 cm de hilo de corte por encima de cada lado del cabezal de corte.

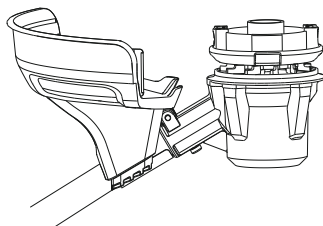
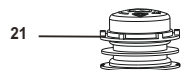


## 10.4 SUSTITUCIÓN DEL CARRETE

1. Presione las pestañas (19) de los laterales del cabezal de corte al mismo tiempo.



2. Tire para retirar la cubierta del carrete (20).



3. Retire el carrete restante (21).
4. Ponga el carrete en la carcasa del carrete.

### **i** NOTA

Asegúrese de poner el hilo de corte en la ranura sobre el carrete nuevo y de extender el hilo aproximadamente 15 cm antes de instalar el carrete nuevo.

5. Introduzca los extremos de los hilos de corte por los orificios.
6. Extienda el hilo de corte para soltarlo de la ranura de guía en el carrete.
7. Presione las pestañas e instale la cubierta del carrete en la carcasa del carrete.
8. Introduzca la cubierta del carrete hasta que encaje en su posición.

## 10.5 SUSTITUCIÓN DEL HILO DE CORTE

### **i** NOTA

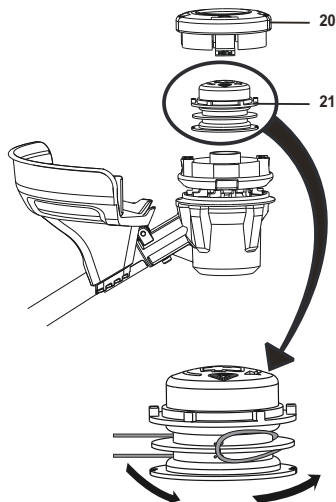
Retire el hilo de corte restante del carrete.

### **i** NOTA

Utilice únicamente con el hilo de corte de nylon de 0.094" (2.4 mm) de diámetro.

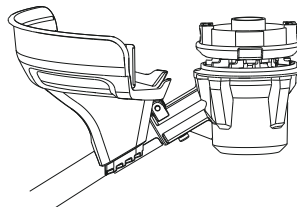
1. Corte un trozo de hilo de corte de aproximadamente 3m.

2. Doble el hilo en el punto medio y enganche el bucle en la ranura en el borde central del carrete. Asegúrese de que el hilo encaje en su posición en la ranura.
3. Con el dedo entre los hilos, enrolle estos por igual y con fuerza alrededor del carrete en la dirección indicada.
4. Introduzca los hilos en las ranuras de guía.
5. No enrolle los hilos más allá del borde del carrete.

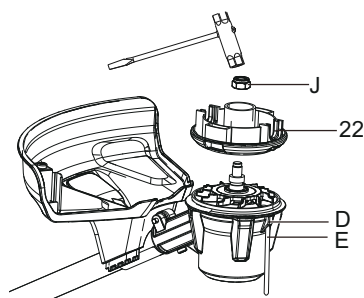


## 10.6 RETIRADA DEL CABEZAL DE CORTE

1. Coloque la varilla metálica (E) en el orificio de transmisión del ángulo especificado (D) para fijar el cabezal de corte.
2. Retire la cubierta del carrete y el carrete.



3. Afloje la tuerca (J) del cabezal de corte en sentido horario con una llave.
4. Retire el cabezal de corte.



## 10.7 MONTAJE DEL CABEZAL DE CORTE

1. Ponga el cabezal de corte en la carcasa.
2. Instale la tuerca.
3. Coloque la varilla metálica en el orificio de transmisión del ángulo especificado para fijar el cabezal de corte.
4. Apriete la tuerca del cabezal de corte en sentido antihorario con una llave.

### ⓘ IMPORTANTE

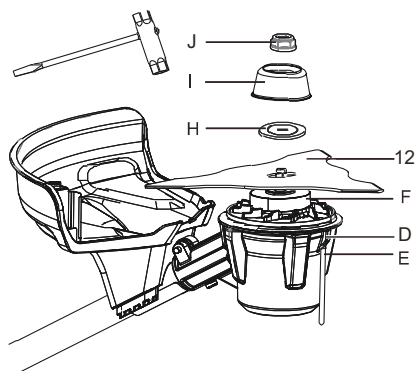
Debe instalar la cuchilla de corte cuando utilice el cabezal de corte.

## 10.8 RETIRADA DE LA DESBROZADORA

### ▲ AVISO

Aplique la protección a la cuchilla.

1. Coloque la varilla metálica (F) en el orificio de transmisión del ángulo especificado (D) para fijar el cabezal de corte.
2. Afloje la tuerca (J) en sentido horario y retire la copa exterior (I).
3. Retire la placa (H) y la cuchilla desbrozadora.
4. Retire la copa interior (F).



## 10.9 MONTAJE DE LA DESBROZADORA

### ▲ AVISO

Lleve guantes y tenga cuidado con los bordes afilados.

### ▲ AVISO

Aplique la protección a la cuchilla.

### ▲ AVISO

Para montar la cuchilla utilice la tuerca de seguridad de nailon especificada que viene con la cuchilla.

### ▲ AVISO

Debe cambiar la contratuerca después de usarla 20 veces.

1. Coloque la varilla metálica (E) en el orificio de transmisión del ángulo especificado (D) para fijar el cabezal de corte.
2. Coloque la copa interior (F) en el eje central.
3. Coloque la cuchilla desbrozadora (12) encima de la copa interior. Asegúrese de que la cuchilla esté en el centro.
4. Coloque la placa (H) encima de la cuchilla.
5. Coloque la copa exterior encima de la placa (I).
6. Coloque la contratuerca encima de la copa exterior.
7. Apriete la contratuerca (J) en sentido antihorario a 44-58" N.M de par con una llave de 19 mm.

## 11 TRANSPORTE Y ALMACENAMIENTO

### 11.1 TRASLADO DE LA MÁQUINA

Cuando mueva la máquina debe:

- Llevar guantes.
- Detener la máquina.



- Retirar la batería y cargarla.
- Montar la protección de la cuchilla.

## 11.2 ALMACENAMIENTO DE LA MÁQUINA

- Retire la batería de la máquina.
- Asegúrese de que los niños no puedan acercarse a la máquina.
- Mantenga la máquina alejada de agentes corrosivos, como sustancias químicas para jardín y sales para descongelación.
- Fije la máquina durante el transporte para evitar daños o lesiones. Limpie y examine si hay daños en la máquina.

## 12 SOLUCIÓN DE PROBLEMAS

Problema	Posible causa	Solución
La máquina no se pone en marcha cuando aprieta el gatillo.	No hay contacto eléctrico entre la máquina y la batería.	1. Retire la batería. 2. Compruebe el contacto e instale de nuevo la batería.
	La batería se ha agotado.	Cargue la batería.
	El botón de desbloqueo y el gatillo no se presionan al mismo tiempo.	1. Apriete el botón de desbloqueo y sujételo. 2. Apriete el gatillo para poner en marcha la máquina.

Problema	Posible causa	Solución
La máquina se detiene cuando corta.	La protección no está fijada a la máquina.	Retire la batería y fije la protección a la máquina.
	Se utiliza un hilo de corte pesado.	Utilice únicamente con el hilo de corte de nylon de 0.094" (2.4 mm) de diámetro.
	La hierba se enrolla alrededor del eje del motor o del cabezal de corte.	1. Detenga la máquina. 2. Retire la batería. 3. Retire la hierba del eje del motor y del cabezal de corte.
	El motor se ha sobrecargado.	1. Retire el cabezal de corte de la hierba. 2. El motor se recuperará para funcionar en cuanto se retire la carga. 3. Cuando corte, mueva el cabezal de corte hacia dentro y fuera de la hierba que va a cortar y quite no más de 8" (20 cm) en cada pasada.
La batería o la máquina está demasiado caliente.	La batería o la máquina está demasiado caliente.	1. Deje enfriar la batería hasta que el funcionamiento vuelva a la normalidad. 2. Deje enfriar la máquina durante aproximadamente 10 minutos.
	La batería se ha desconectado de la herramienta.	Instale de nuevo la batería.
	La batería se ha agotado.	Cargue la batería.
El hilo no avanza.	Los hilos se han quedado soldados.	Lubrique con espray de silicona.
	No ha suficiente hilo en el carrete.	Instale más hilo.
	Los hilos se desgastan y son demasiado cortos.	Avance el hilo de corte.
	Los hilos están enredados en el carrete.	1. Retire los hilos del carrete. 2. Enrolle los hilos.

ES

Problema	Posible causa	Solución
El hilo se rompe continuamente.	La máquina se está utilizando incorrectamente.	<ol style="list-style-type: none"> <li>1. Corte con la punta del hilo, evite piedras, paredes y otros objetos duros.</li> <li>2. Avance el hilo de corte periódicamente para mantener el ancho de corte completo.</li> </ol>
La hierba se enrolla alrededor del cabezal de corte y de la carcasa del motor.	Corte la hierba alta al nivel del suelo.	<ol style="list-style-type: none"> <li>1. Corte la hierba alta de arriba a abajo.</li> <li>2. No quite más de 8" (20 cm) en cada pasada para evitar que se enrolle.</li> </ol>
El hilo no corta bien.	La cuchilla de corte se ha desafilado.	Afile la cuchilla de corte con una lima o sustitúyala.
Las vibraciones aumentan notablemente.	El hilo está gastado en un lado y no se ha avanzado a tiempo.	Asegúrese de que el hilo a ambos lados esté normal. Avance el hilo.

## 13 DATOS TÉCNICOS

Tipo	Inalámbrico, con funcionamiento a batería
Motor	82V DC Sin escobillas
Velocidad sin carga	4500-5500-6000-6300 RPM ±10% RPM
Diámetro de hilo de corte	0.094" (2.4 mm)
Diámetro de recorrido de corte	Cortabordes: 16" (406mm); Desbrozadora: 10" (255mm)
Tipo de alimentación	Avance por sacudida
Peso (sin batería)	5.83 kg
Modelo de batería	GLW 200/GLW 300 y otras series BAB
Modelo de cargador	GC 400 y otras series CAB

### El intervalo de temperatura ambiente recomendado:

Elemento	Temperatura
Intervalo de temperatura de almacenamiento del cortabordes	32°F (0°C) - 113°F (45°C)

Elemento	Temperatura
Intervalo de temperatura de funcionamiento del cortabordes	32°F (0°C) - 113°F (45°C)
Intervalo de temperatura de carga de la batería	39°F (4°C) - 104°F (40°C)
Intervalo de temperatura de funcionamiento del cargador	39°F (4°C) - 104°F (40°C)
Intervalo de temperatura de almacenamiento de la batería	32°F (0°C) - 113°F (45°C)
Intervalo de temperatura de descarga de la batería	32°F (0°C) - 113°F (45°C)

## 14 GARANTÍA LIMITADA



Por la presente Greenworks garantiza este producto, al comprador original con el comprobante de compra, garantía de 2 años para el grupo motopropulsor comercial, garantía de 2 años para la batería comercial frente a defectos en materiales, piezas o mano de obra. A su entera discreción Greenworks reparará o sustituirá cualquiera y todas las piezas que resulten ser defectuosas, con un uso normal, sin coste alguno para el cliente. Esta garantía es válida únicamente para unidades que se hayan utilizado para uso personal o comercial y cuyo mantenimiento se haya realizado de acuerdo con las instrucciones del manual del propietario suministrado con el producto nuevo.

### COBERTURA DE GARANTÍA LIMITADA DE 2 AÑOS DEL GRUPO MOTOPROPULSOR:

- Motor
- Placas de circuitos impresos
- Caja de engranajes
- 2 años desde la fecha de compra (no transferible)

### COBERTURA DE GARANTÍA LIMITADA DE 2 AÑOS DE LA BATERÍA:

- Baterías comerciales de Greenworks (GL 250, GL 400, GL 500, GL 900, GLW 300, GLW 600, GL400BT y otras series )
- 2 años desde la fecha de compra (no transferible)

### COBERTURA DE GARANTÍA LIMITADA DE 60 DÍAS DE PIEZAS DE DESGASTE:

- Barras

- Cuchillas
- Protecciones
- Cadenas
- Cabezales de avance por sacudida
- Dientes
- 60 días desde la fecha de compra (no transferible)

## **EXCLUSIONES DE GARANTÍA, LIMITACIONES Y DERECHOS:**

1. Las garantías no pueden ser transferidas por el consumidor a otros compradores posteriores.
2. Piezas o componentes no suministrados por el garante, o piezas o componentes que hayan sido modificados.
3. Cualquier fallo debido al uso de herramientas inadecuadas o procedimientos de reparación inadecuados.
4. Cualquier fallo debido al uso de herramientas inadecuadas o procedimientos de reparación inadecuados.
5. Cualquier fallo o pieza que deje de funcionar debido a accidente, impacto, abuso, mal uso, negligencia, manejo inadecuado, desafilado de los filos de corte o en caso de no utilizar el producto de acuerdo con la información proporcionada en el manual de instrucciones suministrado con el producto.
6. Artículos de mantenimiento de rutina tales como lubricantes, afilado de cuchillas.
7. La unidad, si no ha sido utilizada o mantenida de acuerdo con el manual del propietario.
8. La unidad, si no ha sido utilizada o mantenida de acuerdo con el manual del propietario.

## **LÍNEA DE ASISTENCIA TELEFÓNICA DE GREENWORKS:**

Puede contactar con el servicio de garantía llamando a nuestra línea de asistencia telefónica gratuita, a 1-855-470-4267.

## **COSTES DE TRANSPORTE:**

Los costes de transporte por el desplazamiento de cualquier unidad o accesorio de equipos eléctricos son responsabilidad del comprador. Es responsabilidad del comprador pagar los costes de transporte de cualquier pieza enviada para su sustitución bajo esta garantía, a menos que dicha devolución sea solicitada por escrito por Greenworks.

**Greenworks Tools**  
**P.O. Box 1238**  
**Mooresville, NC 28115**

