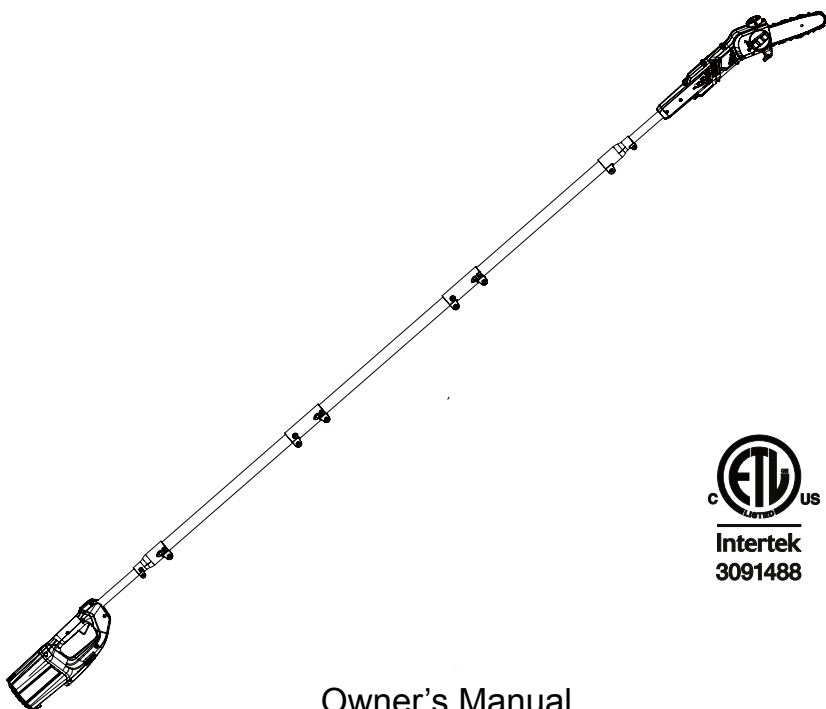

GREENWORKS

COMMERCIAL

82V BRUSHLESS POLE SAW GS 100



Owner's Manual

TOLL-FREE HELPLINE: 1-855-470-4267
www.greenworkstools.com/82v-Commercial/

⚠ Read all safety rules and instructions carefully before operating this tool.

CONTENTS

Contents	2
Product Specifications	2
Important Safety Instructions	3
Symbols	9
Know Your Pole Saw	11
Assembly	12
Operation	15
Maintenance	20
Environmentally Safe Battery Disposal	27
Troubleshooting	28
Limited Warranty	30
Exploded View	31
Part List	32

PRODUCT SPECIFICATIONS

82V BRUSHLESS POLESAW

Type	Cordless, battery-powered
Motor	82 V
Bar Length	10" (254mm)
Chain Pitch	1/4"LP (6.3 mm)
Chain Type25AP058X (Oregon)
Guide Bar Type	100SDAA041(Oregon)
Length with Extension Pole	12'
Length without Extension Pole	8'
Weight	11.25 lbs (5.1 kg)



IMPORTANT SAFETY INSTRUCTIONS

▲ W A R N I N G

Read and understand all instructions before using this product. Failure to follow all instructions listed below may result in electric shock, fire, and/or serious personal injury.

When using electric gardening appliances, basic safety precautions should always be followed to reduce the risk of fire, electric shock, and personal injury, including the following:

WORK AREA SAFETY

- **Keep work area clean and well lit.** Cluttered or dark areas invite accidents.
- **Do not operate power tools in explosive atmospheres, such as in the presence of flammable liquids, gases, or dust.** Power tools create sparks which may ignite the dust or fumes.
- **Keep all children, bystanders, visitors, and animals out of the work area while starting or cutting with the power tool.** Distractions can cause you to lose control.

ELECTRICAL SAFETY

- **Avoid body contact with earthed or grounded surfaces such as pipes, radiators, ranges and refrigerators.** There is an increased risk of electric shock if your body is earthed or grounded.
- **Do not expose the power tools to rain or wet locations.** Water entering a power tool will increase the risk of electric shock.
- **If operating a power tool in a damp location is unavoidable, use a residual current device protected supply.** Use of an RCD reduce the risk of electric shock.
- **A battery-operated tool with integral batteries or a separate battery pack must be recharged only with the specified charger for the battery.** A charger that may be suitable for one type of battery may create a risk of fire when used with another battery.

PERSONAL SAFETY

- **Stay alert, watch what you are doing and use common sense when operating a power tool. Do not use a power tool while you are tired or under the influence of drugs, alcohol or medication.** A moment of inattention while operating power tools may result in serious personal injury.
- **Use safety equipment. Always wear eye protection.** Safety equipment such as dust mask, non-skid safety shoes, hard hat, or hearing protection used for appropriate conditions will reduce personal injuries.
- **Avoid accidental starting. Ensure the switch is in the off-position before plugging in.** Carrying power tools with your finger on the switch or plugging in power tools that have the switch on invites accidents.
- **Remove any adjusting key or wrench before turning the power tool on.** A wrench or a key left attached to a rotating part of the power tool may result in personal injury.
- **Do not overreach. Keep proper footing and balance at all times.** This enables better control of the power tool in unexpected situation.
- **Dress properly. Do not wear loose clothing or jewellery. Keep your hair, clothing and gloves away from moving parts.** Loose clothes, jewellery or long hair can be caught in moving parts.
- **If devices are provided for the connection of dust extraction and collection facilities, ensure these are connected and properly used.** Use of these devices can reduce dust-related hazards.

IMPORTANT SAFETY INSTRUCTIONS

BATTERY USE AND CARE

- **Ensure the switch is in the off position before inserting battery pack.**
- **Recharge only with the charger specified by the manufacturer.** A charger that is suitable for one type of battery pack may create a risk of fire when used with another battery pack.
- **Use power tools only with specifically designated battery packs.** Use of any other battery packs may create a risk of injury and fire.
- **When battery pack is not in use, keep it away from other metal objects, like paper clips, coins, keys, nails, screws, or other small metal objects, that can make a connection from one terminal to another.** Shorting the battery terminals together may cause burns or a fire.
- **Under abusive conditions, liquid may be ejected from the battery; avoid contact. If contact accidentally occurs, flush with water.** If liquid contacts eyes, additionally seek medical help. Liquid ejected from the battery may cause irritation or burns.

SERVICE

- **Have your polesaw serviced by a qualified repair person using only identical replacement parts.** This will ensure that the safety of the polesaw is maintained.

POWER USE AND CARE

- **Do not force the power tool. Use the correct power tool for your application.** The correct power tool will do the job better and safer at the rate for which it was designed.
- **Do not use the power tool if the switch does not turn it on and off.** Any power tool that cannot be controlled with the switch is dangerous and must be repaired.
- **Disconnect the battery pack from the power tool before making any adjustments, changing accessories, or storing power tools.** Such preventive safety measures reduce the risk of starting the power tool accidentally.
- **Store idle power tools out of the reach of children and do not allow persons unfamiliar with the power tool or these instructions to operate the power tool.** Power tools are dangerous in the hands of untrained users.
- **Maintain power tools. Check for misalignment or binding of moving parts, breakage of parts and any other condition that may affect the power tool's operation.** If damaged, have the power tool repaired before use. Many accidents are caused by poorly maintained power tools.
- **Keep cutting tools sharp and clean.** Properly maintained cutting tools with sharp cutting edges are less likely to bind and are easier to control.
- **Use the power tool, accessories and tool bits etc. in accordance with these instructions, taking into account the working conditions and the work to be performed.** Use of the power tool for operations different from those intended could result in a hazardous situation.

FOR ALL APPLIANCES

- **Avoid Dangerous Environment.** Don't use appliances in damp or wet locations.
- **Don't Use In Rain.**
- **Keep Children Away.** All visitors should be kept at a distance from work area
- **Dress Properly.** Do not wear loose clothing or jewelry. They can be caught in moving parts. Use of rubber gloves and substantial footwear is recommended when working outdoors. Wear protective hair covering to contain long hair.
- **Don't Overreach.** Keep proper footing and balance at all times.
- **Stay Alert.** Watch what you are doing. Use common sense. Do not operate appliance when you are tired.

IMPORTANT SAFETY INSTRUCTIONS

- **Use Safety Glasses.** Always use face or dust mask if operation is dusty.
- **Use Right Appliance.** Do not use appliance for any job except that for which it is intended.
- **Don't grasp the exposed cutting blades or cutting edges when picking up or holding the appliance.**
- **Don't Force Appliance.** It will do the job better and with less likelihood of a risk of injury at the rate for which it was designed.
- **Maintain Appliance With Care.** Keep cutting edge sharp and clean for best performance and to reduce the risk of injury. Follow instructions for lubricating and changing accessories. Inspect appliance cord periodically, and if damaged, have it repaired by an authorized service facility. Inspect extension cords periodically and replace if damaged. Keep handles dry, clean, and free from oil and grease.
- **Check Damaged Parts.** Before further use of the appliance, a guard or other part that is damaged should be carefully checked to determine that it will operate properly and perform its intended function. Check for alignment of moving parts, binding of moving parts, breakage of parts, mounting, and any other condition that may affect its operation. A guard or other part that is damaged should be properly repaired or replaced by an authorized service center unless indicated elsewhere in this manual.
- **Store Idle Appliances Indoors –** When not in use, appliances should be stored indoors in dry, and high or locked-up place – out of reach of children.
- **Prevent unintentional starting.** Ensure the switch is in the off-position before connecting to battery pack, picking up or carrying the appliance. Carrying the appliance with your finger on the switch or energizing appliance that have the switch on invites accidents.

FOR BATTERY-OPERATED APPLIANCES

- **Do not charge appliance in rain, or in wet locations.**
- **Do not use battery-operated appliance in rain.**
- **When replacing batteries, all batteries should be replaced at the same time.** Mixing fresh and discharged batteries could increase internal cell pressure and rupture the discharge battery(ies).
- **When inserting batteries into this product, the proper polarity or direction must be observed.** Reverse insertion of batteries can result in leakage or explosion.
- **Remove or disconnect battery before servicing, cleaning or removing material from the gardening appliance.**
- **For use only with (GL 200, GL 250, GL 300, GL 400, GL 500, GL 900) battery. For use only with GC 400 charger.**
- **Do not dispose of the battery(ies) in a fire.** The cell may explode. Check with local codes for possible special disposal instructions.
- **If electrolyte contacts the skin, wash it off immediately with water.**
- **If electrolyte contacts the eyes, flush thoroughly and immediately with water.** Seek medical attention.
- **Wear full eye protection and protective clothing.**
- **Do not open or mutilate the battery(ies).** Released electrolyte is corrosive and may cause damage to the eyes or skin. It may be toxic if swallowed.

IMPORTANT SAFETY INSTRUCTIONS

SPECIFIC SAFETY WARNINGS

- **Do not operate near electrical power lines.** The unit has not been designed to provide protection from electric shock in the event of contact with overhead electric lines. Consult local regulations for safe distances from overhead electric power lines and ensure that the operating position is safe and secure before operating the saw chain pole pruner.
- **Use pole saw for cutting wood only.** Do not use for cutting non-wood items.
- **Make sure that the area in which you are cutting is free from obstructions.** Do not let the nose of the guide bar contact a log, branch, fence, or any other obstruction while you are operating the unit. Have a planned retreat path.
- **Keep all parts of the body away from the saw chain. Make sure the switch is off when clearing jammed material.** Saw chain continues to move after the switch is turned off. A moment of inattention while operating the pole saw may result in serious personal injury.
- **Carry the pole saw by the handle with the saw chain stopped.** When transporting or storing the pole saw, always fit the saw chain device cover. Proper handling of the pole saw will reduce possible personal injury from the saw chain.
- **Hold the pole saw by insulated gripping surfaces only, because the cutter blade may contact hidden wiring or its own cord.** A saw chain contacting a "live" wire may make exposed metal parts of the pole saw "live" and could give the operator an electric shock.
- **Keep cable away from cutting area.** During operation the cable may be hidden in shrubs and can be accidentally cut by the saw chain.
- **Do not operate the saw with one hand!** Serious injury to the operator, helpers, bystanders, or any combination of these persons may result from one hand operation. This saw is intended for two-handed use.
- **To reduce the risk of electrocution, never use near any electrical power lines.** Contact with or use near power lines may cause serious injury or electric shock resulting in death.
- **Do not use the extended-reach pruner in bad weather conditions, especially when there is a risk of lightning.** This decreases the risk of being struck by lightning.
- **To protect yourself from falling branches, do not stand directly under the branch or limb being cut.** This unit should not be held at an angle over 60° from ground level.
- **Use extreme caution when cutting small sized brush and saplings because slender material may catch the saw chain and be whipped toward you or pull you off balance.**
- **When cutting a limb that is under tension, be alert for spring back so that you will not be struck when the tension in the wood fibers is released.**
- **To avoid accidental starting, never carry plugged in product with finger on switch.** Be sure switch is off when plugging in.
- **Always use two hands when operating the pole saw.** Hold the pole saw with both hands to avoid loss of control.

IMPORTANT SAFETY INSTRUCTIONS

- **Always use head protection when operating the pole saw overhead.** Falling debris can result in serious personal injury.
- **DANGER - Keep hands away from blades.**
- **When using in direct sunshine, keep out of water and don't exposure to rain.**
- **Store indoors, and do not expose to rain or water, avoid direct sunshine.**
- **Use appliances only with specially designated battery packs.** Use of any other battery packs may create a risk of injury and fire.
- **Do not use a battery pack or appliance that is damaged or modified batteries may exhibit unpredictable behavior resulting in fire explosion or risk of injury.**
- **Do not expose a battery pack or appliance to fire or excessive temperature.** Exposure to fire or temperature above 130°C may cause explosion. The temperature of 130°C can be replaced by the temperature of 265°F.
- **Follow all charging instructions and do not charge the battery pack or appliance outside of the temperature range specified in the instructions.** Charging improperly or at temperatures outside of the specified range may damage the battery and increase the risk of fire.
- **Have servicing performed by a qualified repair person using only identical replacement parts.** This will ensure that the safety of the product is maintained.
- **Do not modify or attempt to repair the appliance or the battery pack (as applicable) except as indicated in the instructions for use and care.**
- **Save these instructions. Refer to them frequently and use them to instruct others who may use this product.** If you loan someone this product, loan them these instructions also to prevent misuse of the product and possible injury.

SAVE THESE INSTRUCTIONS

IMPORTANT SAFETY INSTRUCTIONS

⚠ W A R N I N G (PROPOSITION 65)

Some dust created by power sanding, sawing, grinding, drilling, and other construction activities contains chemicals known to cause cancer, birth defects or other reproductive harm. Some examples of these chemicals are:

- Lead from lead-based paints
- Crystalline silica from bricks and cement and other masonry products, and
- Arsenic and chromium from chemically treated lumber.

Your risk of exposure to these chemicals varies depending on how often you do this type of work. To reduce your exposure to these chemicals, work in a well-ventilated area, and work with approved safety equipment, such as dust masks that are specially designed to filter out microscopic particles.

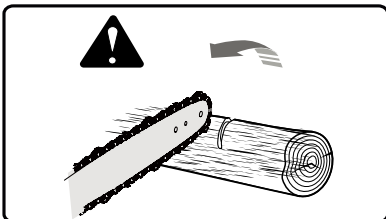
CHILD SAFETY

Tragic accidents can occur if the operator is not aware of the presence of children.

- Keep children out of the working area and under the watchful care of a responsible adult.
- Do not allow children under the age of 14 to operate this polesaw. Children who are 14 years of age and older must read and understand the operating instructions and safety rules in this manual and must be trained and supervised by a parent.
- Stay alert, and turn the polesaw off if a child or any other person enters the working area.
- Use extreme care when approaching blind corners, doorways, shrubs, trees, or other objects that may obscure your view of a child who may run into the path of the polesaw.

KICKBACK

Kickback may occur when the moving chain contacts an object at the upper portion of the tip of the guide bar or when the wood closes in and pinches the saw chain in the cut. Contact at the upper portion of the tip of the guide bar can cause the chain to dig into the object and stop the chain for an instant. The result is a lightning fast reverse reaction which kicks the guide bar up and back toward the operator. If the saw chain is pinched along the top of the guide bar, the guide bar can be driven rapidly back toward the operator. Either of these reactions can cause loss of saw control which can result in serious injury. Do not rely exclusively upon the safety devices built into the saw. As a polesaw user, you should take several steps to keep your cutting jobs free from accident or injury.









CAUSES AND OPERATOR PREVENTION OF KICKBACK

- **Maintain a firm grip, with thumbs and fingers encircling the polesaw handles, with both hands on the saw and position your body and arm to allow you to resist kickback forces.** Kickback forces can be controlled by the operator, if proper precautions are taken. Do not let go of the polesaw.
- **Only use replacement bars and chains specified by the manufacturer.** Incorrect replacement bars and chains may cause chain breakage and/or kickback.
- **Follow the manufacturer's sharpening and maintenance instructions for the saw chain.** Decreasing the depth gauge height can lead to increased kickback.
- **Push and Pull** — This reaction force is always opposite to the direction the chain is moving where contact is made with the wood. Thus, the operator must be ready to control the PULL when cutting on the bottom edge of the bar, and the PUSH when cutting along the top edge.




SYMBOLS

Some of the following symbols may be used on this product. Please study them and learn their meaning. Proper interpretation of these symbols will allow you to operate the product better and safer.

SYMBOLS	DESIGNATION	EXPLANATION
V	Volts	Voltage.
A	Amperes	Current.
Hz	Hertz	Frequency (cycles per second).
W	Watts	Power.
hrs	Hours	Time.
no	No Load Speed	Rotational speed, at no load.
/min	Per Minute	Revolutions, strokes, surface speed, orbits etc., per minute.
	Direct current	Type or characteristic of current.
	Safety Alert Symbol	Precautions that involve your safety.
	Read the Instruction Manual.	To reduce the risk of injury, user must read and understand the Instruction manual before using this product.
	Eye Protection	Wear eye protection when operating this equipment.
	Wear Ear Protection	Wear ear protection when operating this equipment.
	Eye and Head Protection	Wear eye and head protection when operating this equipment.
	Gloves	Wear non-slip, heavy-duty protective gloves when handling the polesaw and the blade.
	Safety Footwear	Wear non-slip safety footwear when using this equipment
	Kickback	DANGER! Beware of kickback.
	One Handed	Do not operate the saw using only one hand.
	Risk of Electrocution	DANGER! Risk of electrocution!
	Keep Bystanders Away	Keep all bystanders at least 50' (15 m) away.
	Wet Conditions Alert	Do not expose to rain or use in damp locations.

SYMBOLS

The following signal words and meanings are intended to explain the levels of risk associated with this product.

SYMBOL	SIGNAL	MEANING
	DANGER	Indicates an imminently hazardous situation, which, if not avoided, will result in death or serious injury.
	WARNING	Indicates a potentially hazardous situation, which, if not avoided, could result in death or serious injury.
	CAUTION	Indicates a potentially hazardous situation, which, if not avoided, may result in minor or moderate injury.
	CAUTION	(Without Safety Alert Symbol) Indicates a situation that may result in property damage.


SERVICE

Servicing requires extreme care and knowledge and should be performed only by a qualified service technician. For service we suggest you return the product to your nearest **AUTHORIZED SERVICE CENTER** for repair. When servicing, use only identical replacement parts.

W A R N I N G

To avoid serious personal injury, do not attempt to use this product until you have read this Owner's Manual thoroughly and understand it completely. If you do not understand the warnings and instructions in this Owner's Manual, do not use this product. Call the Toll-free Helpline (1-855-470-4267) for assistance.

W A R N I N G

 The operation of any power tool can result in foreign objects being thrown into your eyes, which can result in severe eye damage. Before operating a power tool, always wear safety goggles, safety glasses with side shields, or a full face shield when needed. We recommend a Wide Vision Safety Mask for use over eyeglasses or standard safety glasses with side shields. Always use eye protection that is marked to comply with ANSI Z87.1.

SAVE THESE INSTRUCTIONS

KNOW YOUR POLE SAW

Read this operator's manual and safety rules before operating your polesaw. Compare the illustration in Figure 1 to your polesaw in order to familiarize yourself with the location of various controls and adjustments. Save this manual for future reference.

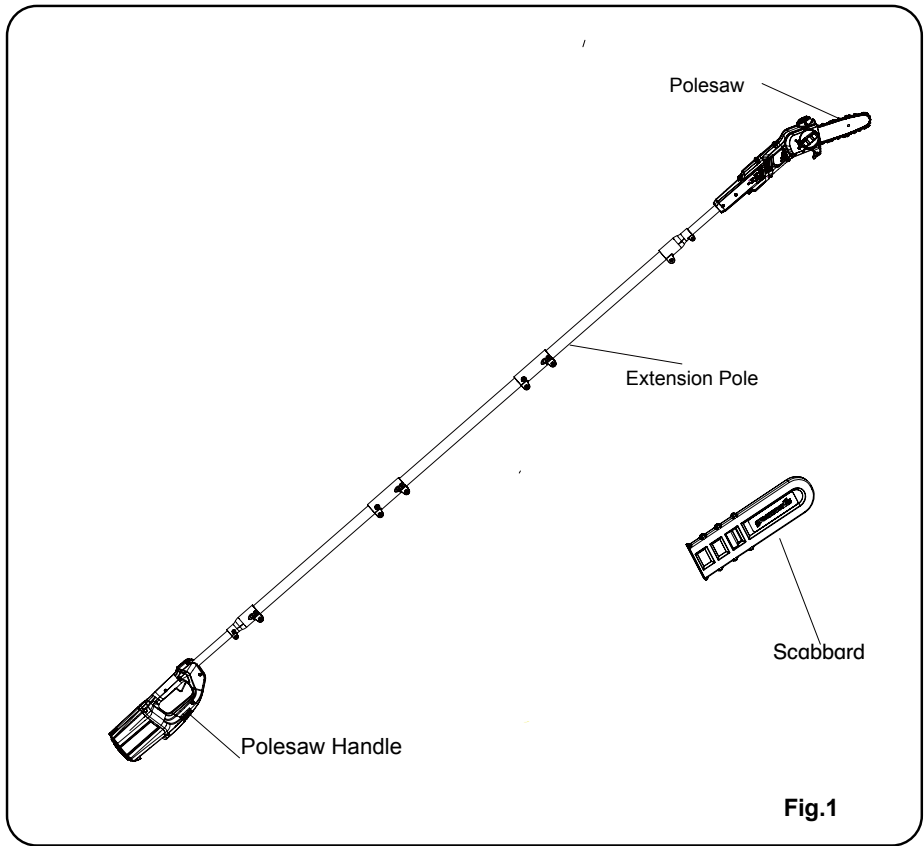


Fig.1

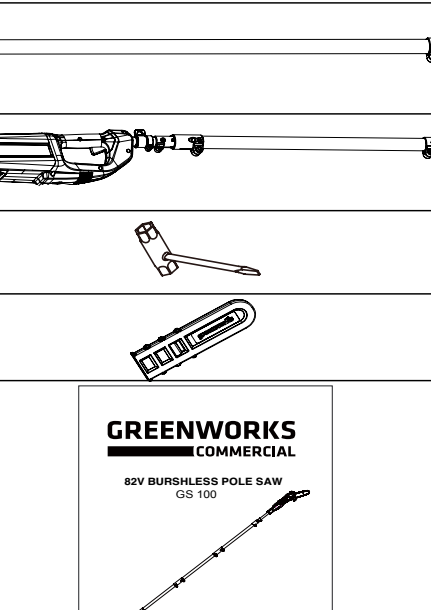




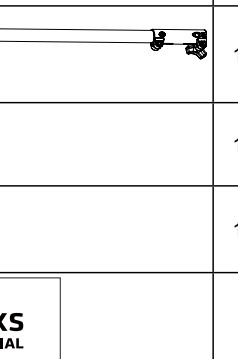
ASSEMBLY

UNPACKING

This product requires assembly.

- Carefully remove the product and any accessories from the box. Make sure that all items listed in the package contents section are included.
- Inspect the product carefully to make sure no breakage or damage occurred during shipping.
- Do not discard the packing material until you have carefully inspected and satisfactorily operated the product.
- If any parts are damaged or missing, please call 1-855-470-4267 for assistance.

PACKING LIST

PART NAME	FIGURE	QTY
Power Head Pole		1
Extension Pole		1
Handle Pole		1
Wrench		1
Scabbard		1
Operator's manual		1

ASSEMBLY

⚠ WARNING

If any parts are damaged or missing, do not operate this product until the parts are replaced. Using a product with damaged or missing parts could result in serious personal injury.

⚠ WARNING

Do not attempt to modify this product or create accessories not recommended for use with this product. Any such alteration or modification is misuse and could result in a hazardous condition leading to possible serious personal injury.

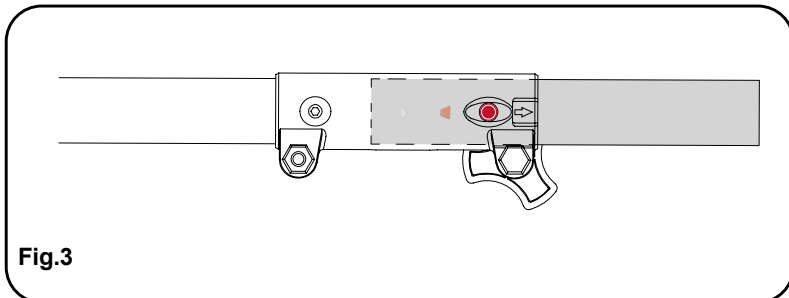
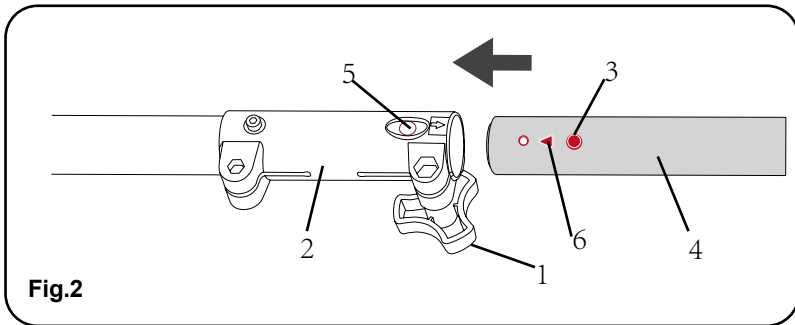
⚠ WARNING

Do not insert the battery until assembly is complete. Failure to comply could result in accidental starting and possible serious personal injury.

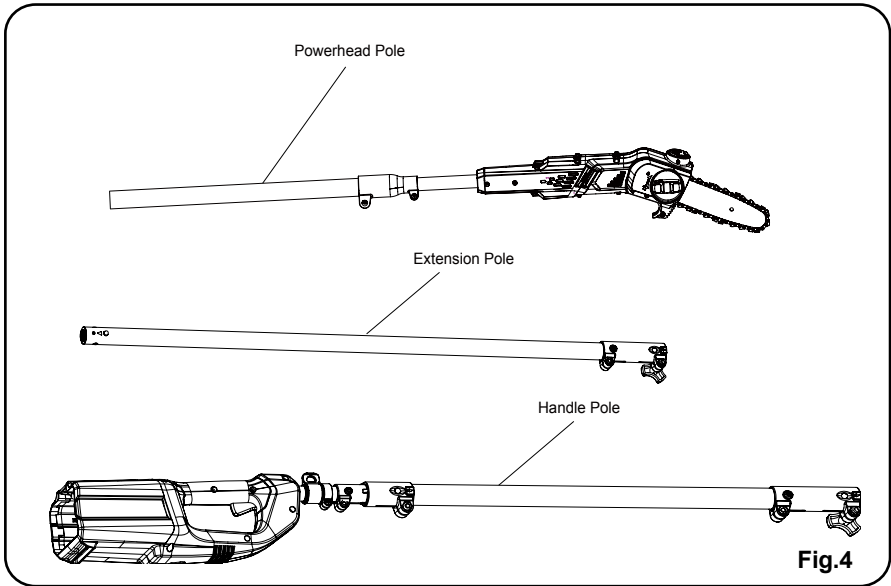
CONNECTING THE POLES

Before using the pole saw, assembly is required. When removed from the box, there are the three poles as shown below.

- Set the unit on a flat, level surface.
- Loosen the screw cap (1) on the coupler (2).
- Push in the button (3) located on the right shaft (4). Align the release button with the positioning hole (5) with the direction of the arrow (6) and slide the two shafts together. Rotate the lower shaft until the button locks into the positioning hole.



ASSEMBLY INSTRUCTION



▲ WARNING

Do not allow familiarity with this product to make you careless. Remember that a careless fraction of a second is sufficient to inflict serious injury.

▲ WARNING

Always wear safety goggles or safety glasses with side shields when operating power tools. Failure to do so could result in objects being thrown into your eyes, resulting in possible serious injury.

▲ WARNING

Do not use any attachments or accessories not recommended by the manufacturer of this product. The use of attachments or accessories not recommended can result in serious personal injury.

APPLICATIONS

You may use this product for the purposes listed below:

- Limbing
- Pruning

OPERATION

ADDING BAR AND CHAIN LUBRICANT

Use GREENWORKS Bar and Chain Lubricant. It is designed for chains and chain oilers, and is formulated to perform over a wide temperature range with no dilution required.

NOTE: Pole saw comes from the factory with no bar and chain oil added. Level should also be checked after every 30 minutes of use and refilled as needed.

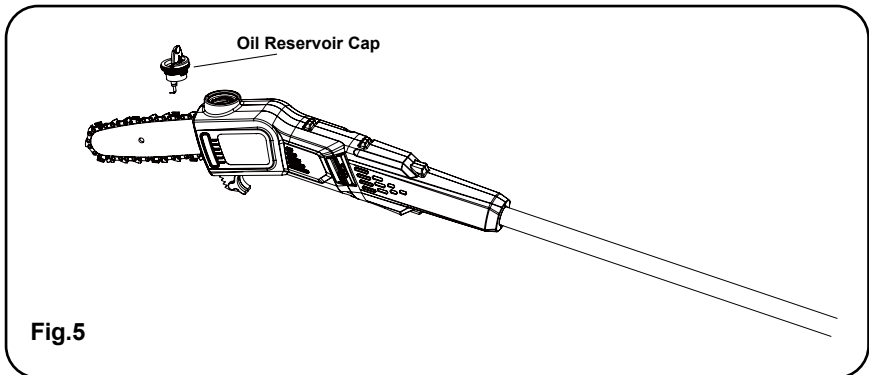
- Remove oil cap.
- Carefully pour the bar and chain oil into the tank.
- Wipe off excess oil.
- Check and fill the oil tank when there is no oil in the oil tank.
- Repeat as needed.

NOTE: Do not use dirty, used or otherwise contaminated oils. Damage may occur to the bar or chain.

NOTE: It is normal for oil to seep from the saw when not in use. To prevent seepage, empty the oil tank after each use then run for one minute. When storing the unit for a long period of time (three months or longer) be sure the chain is lightly lubricated; this will prevent rust on the chain and bar sprocket.

▲ I M P O R T A N T

To preserve natural resources, please recycle or dispose of oil properly. Consult your local waste authority for information regarding available recycling and/disposal options.



OPERATION

BATTERY PACK (See Figure 6)

▲ I M P O R T A N T

The battery pack is not charged when it is purchased. Before using the pole saw for the first time, place the battery pack in the battery charger and charge it fully. Be sure to read all safety precautions, and follow the instructions in the section entitled Charging Procedure. With regular use, the battery will require shorter charging times. When storing the pole saw for a prolonged period of time, remove the battery. When the pole saw is going to be used again, charge the battery pack for at least a full charging period. This product has no memory effect.

REMOVING THE BATTERY PACK

- Press the latch button on the battery pack down and hold.
 - Grasp the pole saw firmly, and pull the battery pack out of the handle.
-

NOTE: *The battery pack fits into the handle snugly in order to prevent accidental dislodging. It may require a strong pull to remove it.*

INSTALLING THE BATTERY PACK

- Align the tongue of the battery pack with the cavity.
- Grasp the pole saw firmly.
- Push the battery pack into the handle until the latch locks into place.
- Do not use force when inserting the battery pack. It should slide into position and “click”.

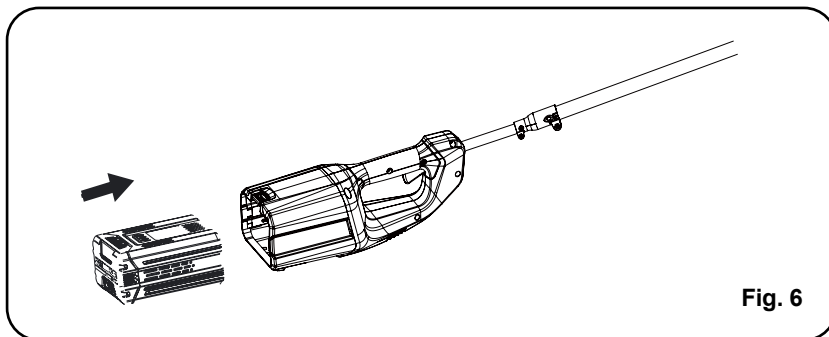


Fig. 6

OPERATION

⚠ WARNING

Follow these instructions in order to avoid injury and to reduce the risk of electric shock or fire:

- Replace the battery pack or the charger immediately if the battery case or charger cord is damaged.
- Verify that the switch is in the OFF position before inserting or removing the battery pack.
- Verify that the battery pack is removed and the switch is in the OFF position before inspecting, adjusting, or performing maintenance on any part of the pole saw.
- Read, understand, and follow the instructions contained in the section entitled Charging Procedure.

⚠ IMPORTANT

This Lithium-ion battery pack is equipped with an internal circuit breaker which will automatically shut off the power to the tool and then reset itself once cooled.

Follow these steps if an overload occurs while under heavy use:

1. Release the power switch and restart tool by depressing switch.
2. The battery may need to be removed for approximately 1 minute, allowed to cool and then reinstalled for use.

STARTING AND STOPPING (See Figure 7)

TO START THE MOTOR:

- Fit the battery pack into the pole saw.
- Press and hold the switch lock. This makes the switch trigger operational.
- Press and hold the switch trigger, release the switch lock and continue to squeeze the switch trigger for continued operation.

TO STOP THE MOTOR:

- Release the switch trigger.

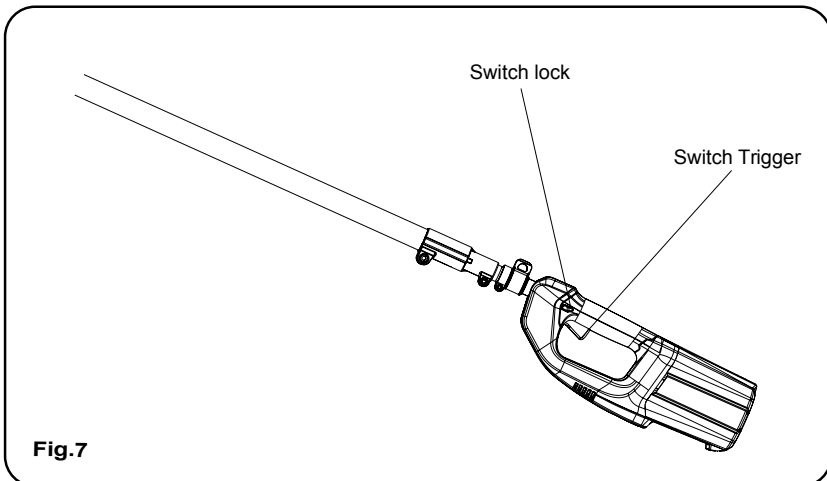


Fig.7

OPERATION

PREPARATION FOR CUTTING (See Figure 8-9)

- Wear non-slip gloves for maximum grip and protection.
- Maintain a proper grip on the unit whenever the motor is running. Use your right hand to firmly grip the rear handle while your left hand has a firm grip on the pole shaft.
- Hold unit firmly with both hands. Always keep your left hand on the pole shaft and your right hand on the rear handle, so your body is to the left of the chain line. Never use a left-handed (cross handed) grip, or any stance that places your body or arm across the chain line.
- Never stand directly under the limb you are cutting.
- Be certain the collars are fully tightened before operating equipment; check them periodically for tightness during use to avoid serious injury.

BASIC CUTTING PROCEDURE

Follow the steps below to prevent damage to tree or shrub bark. Do not use a back-and-forth sawing motion.

- Make a shallow first cut (1/4 of limb diameter) on the underside of the limb close to the main limb or trunk.
- Make a second cut from the top side of the limb outboard from the first cut. Continue the cut through the limb until the limb separates from the tree. Be prepared to balance the weight of the tool when the limb falls.
- Make a final cut close to trunk.

NOTE: For second and final cuts (from top of limb or branch), hold front cutting guide against the limb being cut. This will help steady the limb and make it easier to cut. Allow chain to cut for you; exert only light down-ward pressure. If you force the cut, damage to the bar, chain, or motor can result.

- Release the trigger as soon as the cut is completed. Failure to follow proper cutting procedures will result in the bar and chain binding and becoming pinched or trapped in the limb. If this should happen:
- Stop the motor and remove the battery from the pole saw.
- If the limb can be reached from the ground, lift the limb while holding the saw. This should release the “pinch” and free the saw.
- If the saw is still trapped, call a professional for assistance.

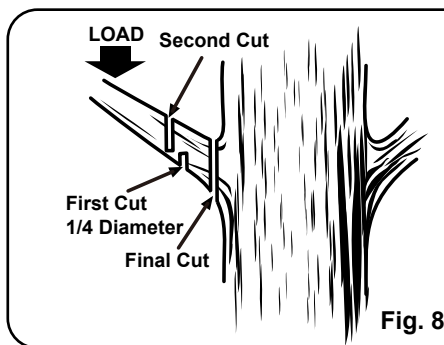


Fig. 8

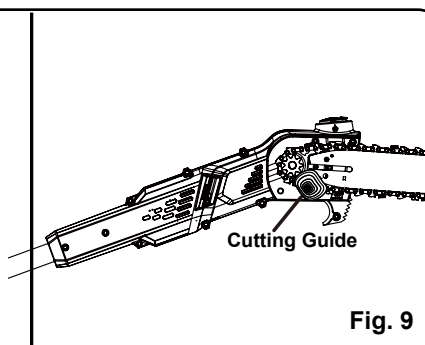


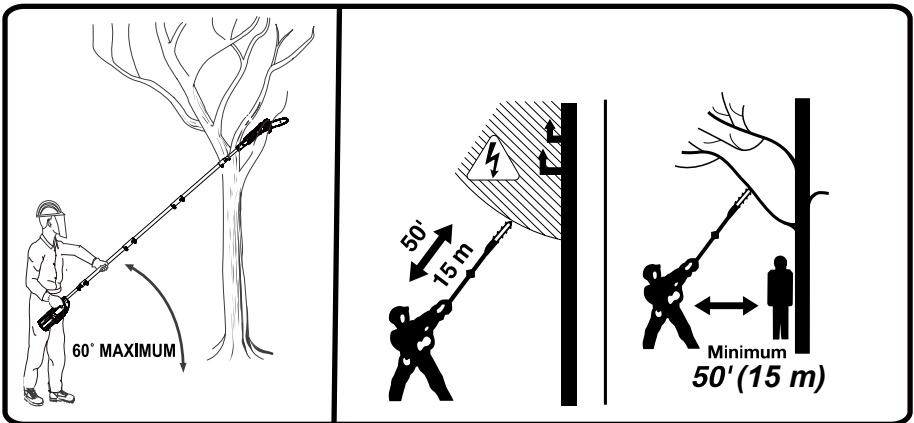
Fig. 9

OPERATION

LIMBING AND PRUNING

This unit is designed for trimming small branches and limbs up to 6 in. (15.2 cm) in diameter. For best results, observe the following precautions:

- Plan the cut carefully. Be aware of the direction in which the branch will fall.
- Branches may fall in unexpected directions. Do not stand directly under the branch being cut.
- The most typical cutting application is to position the unit at an angle of 60° or less, depending on the specific situation. As the angle of the pole saw shaft to ground increases the difficulty of making the first cut (from underside of limb) increases.
- Remove long branches in several stages.
- Cut lower branches first to allow the top branches more room to fall.
- Work slowly, keeping both hands on the saw with a firm grip. Maintain secure footing and balance.
- Keep the tree between you and the chain while limbing. Cut from the side of the tree opposite of the branch you are cutting.
- Do not cut from a ladder; this is extremely dangerous. Leave this operation for professionals.
- Do not make the flush cut next to the main limb or trunk until you have cut off the limb further out to reduce the weight.
- Following proper cutting procedures will prevent stripping the bark from the main member.
- Do not use the pole saw for felling or bucking.
- To prevent electrocution, do not operate within 50 ft. (15 m) of overhead electrical lines.
- Keep bystanders at least 50 ft. (15 m) away.



MAINTENANCE

▲ W A R N I N G

When servicing, use only identical replacement parts. Use of any other parts may create a hazard or cause product damage.

▲ W A R N I N G

Always wear safety goggles or safety glasses with side shields during power tool operation or when blowing dust. If operation is dusty, also wear a dust mask.

▲ W A R N I N G

Before inspecting, cleaning or servicing the unit, stop the motor, wait for all moving parts to stop, and remove the battery. Failure to follow these instructions can result in serious personal injury or property damage.

GENERAL MAINTENANCE

Avoid using solvents when cleaning plastic parts. Most plastics are susceptible to damage from various types of commercial solvents and may be damaged by their use. Use clean cloths to remove dirt, dust, oil, grease, etc.

▲ W A R N I N G

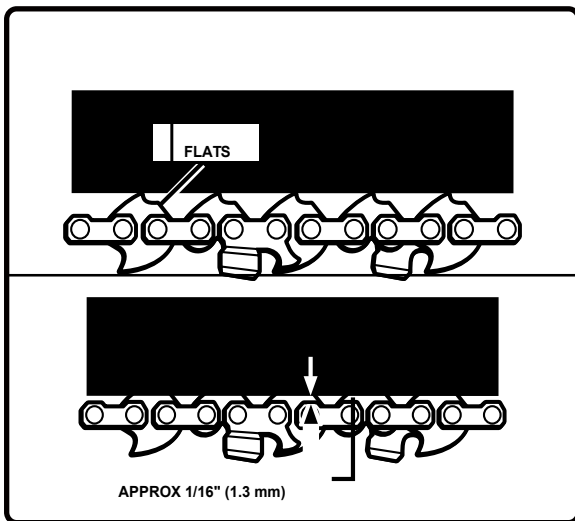
Do not at any time let brake fluids, gasoline, petroleum-based products, penetrating oils, etc., come in contact with plastic parts. Chemicals can damage, weaken, or destroy plastic, which may result in serious personal injury.

All pole saw service, other than the items listed in the instruction manual maintenance instructions, should be performed by competent pole saw service personnel. (For example, if improper tool is used to hold the flywheel in order to remove the clutch, structural damage to the flywheel could occur and subsequently could cause the flywheel to burst).

MAINTENANCE

CHAIN TENSION

- Stop the motor and remove the battery before setting the chain tension. Turn the bar cover knob counterclockwise to loosen the bar cover but do not remove the bar cover. Turn the chain tensioning screw clockwise to tension chain. Turn the guide bar knob clockwise to tighten. Refer to the Replacing the bar and chain section for additional information.
- Chain must be retensioned whenever the flats on the drive links hang out of the bar groove.
- During normal operation, the temperature of the chain will increase. The drive links of a correctly tensioned warm chain will hang approximately 1/16 in. (1.3 mm) out of the bar groove.



NOTE: A cold chain is correctly tensioned when there is no slack on the underside of the guide bar, the chain is snug, but it can be turned by hand without binding.

NOTE: New chain tends to stretch; check chain tension frequently.

▲ CAUTION

Chain tensioned while warm may be too tight upon cooling. Check the “cold tension” before next use.

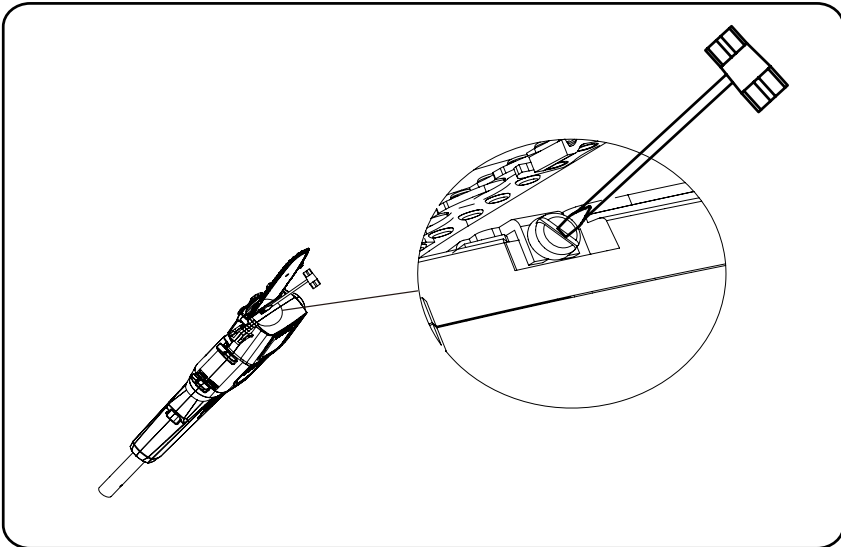
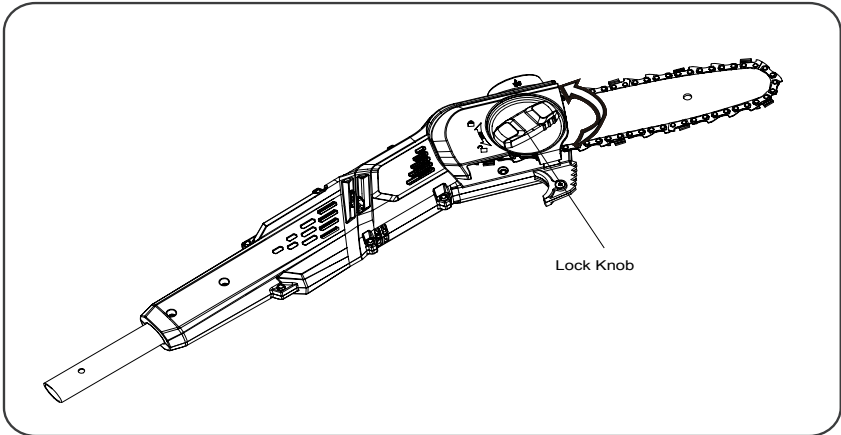
MAINTENANCE

ADJUSTING THE CHAIN TENSION

⚠ WARNING

Never touch or adjust the chain while the motor is running. The saw chain is very sharp. Always wear protective gloves when performing maintenance on the chain.

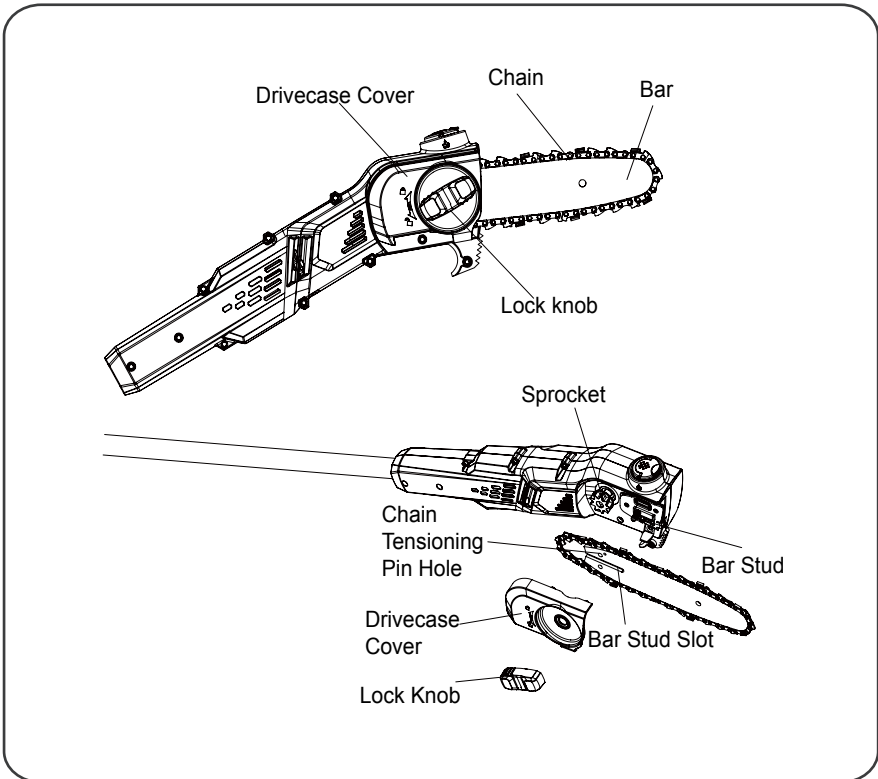
- Unscrew the lock knob.
- Find the chain adjustment screw behind the chain and bar.
- Rotate the chain adjustment screw clockwise to increase the chain tension and rotate counterclockwise to decrease the chain tension until the chain is at the desired tension.
- Once you have the correct tension, fully tighten the locking knob.



MAINTENANCE

REPLACING THE BAR AND CHAIN

- Remove the lock knob and chain cover.
- The bar contains a bar stud slot that fits over the bar stud. The bar also contains a chain tensioning pin hole that fits over the chain tensioning pin.
- Place the bar onto the bar stud so that the chain tensioning pin fits into the chain tensioning pin hole. Fit the chain over the sprocket and into the bar groove. The cutters on the top of the bar should face toward the bar tip, in the direction of the chain rotation.
- Replace the chain cover and install the lock knob. Tighten the lock knob finger tight only. The bar must be free to move for tension adjustment.
- Remove all slack from chain by turning the chain tensioning bolt clockwise, assuring that the chain seats into the bar groove during tensioning.
- Lift the tip of the bar up to check for sag. Release the tip of the bar, and turn the chain tensioning bolt 1/2 turn clockwise.
- Repeat this process until the sag no longer exists.
- Hold the tip of the bar up and tighten the locked bolt securely.
- The chain is correctly tensioned when there is no slack on the underside of the bar, the chain is snug, and it can be turned by hand without binding.



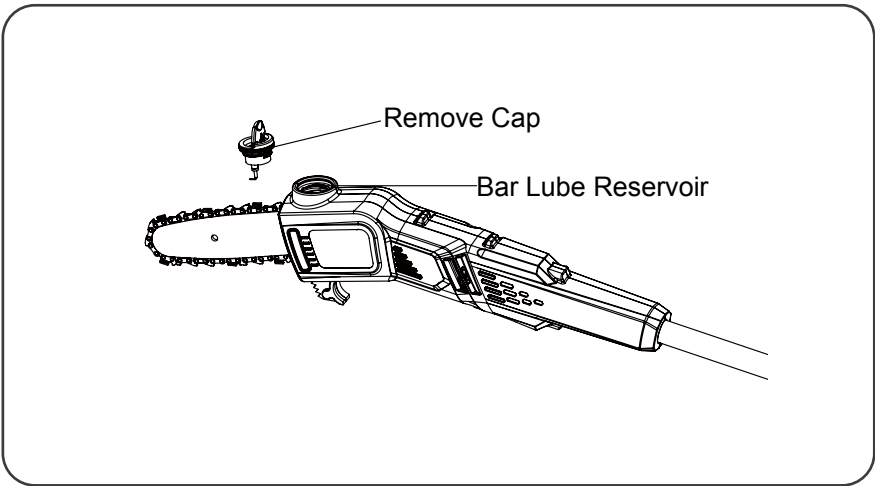
MAINTENANCE

CHAIN OILER

- Use a lubricant that is designed for chains and chain oilers and is formulated to perform over a wide temperature range with no dilution required.
- Remove the cap and carefully pour approximately 2 oz (57 g) of bar and chain lubricant into the bar lube reservoir.
- Replace the cap and tighten securely.
- Check and refill the bar lube reservoir every time the pole saw is used.

NOTE: *If chain is too tight, it will not rotate. Loosen the bar cover knob slightly and turn adjusting screw 1/4 turn counterclockwise. Lift the tip of the bar up and retighten bar cover knob.*

NOTE: *Do not use dirty, used, or otherwise contaminated lubricants. Damage may occur to the oil pump, bar, or chain.*



MAINTENANCE

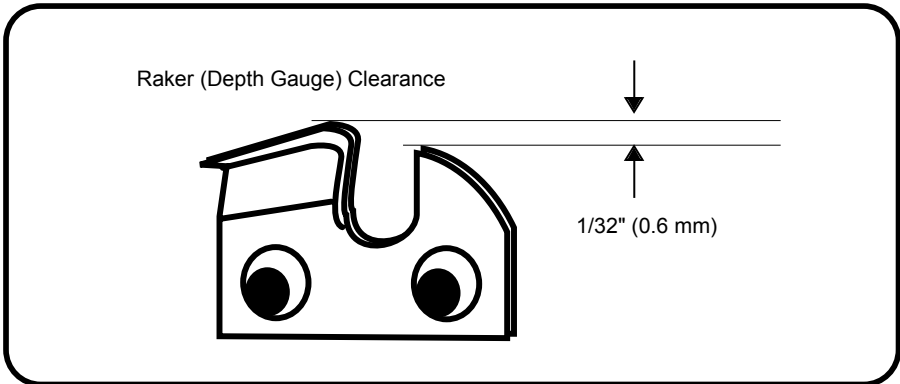
CHAIN MAINTENANCE

For smooth and fast cutting, the chain needs to be maintained properly. The following conditions indicate that the chain requires sharpening:

- Wood chips are small and powdery.
- Chain must be forced through the wood during cutting.
- Chain cuts to one side.

During maintenance of the chain, consider the following:

- Improper filing angle of the side plate can increase the risk of a severe kickback.
- Depth gauge (or raker clearance) setting determines the height the cutter enters the wood and the size of the wood chip that is removed. Too much clearance increases the potential for kickback. Too little clearance decreases the size of the wood chip thus decreasing the chain's cutting ability.
- If cutter teeth have hit hard objects such as nails or stones, or have been abraded by mud or sand on the wood, have service dealer sharpen chain.

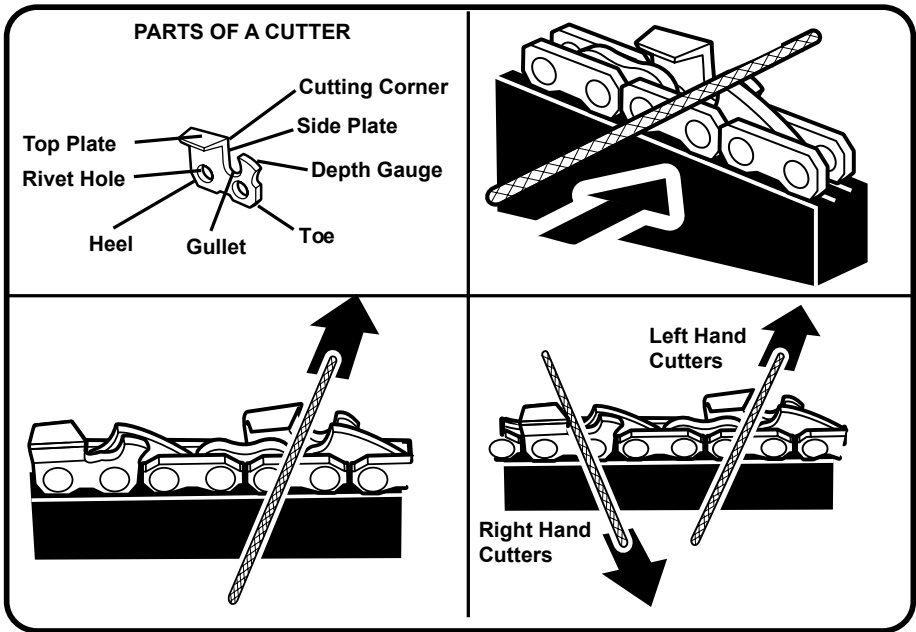


MAINTENANCE

HOW TO SHARPEN THE CUTTERS

Be careful to file all cutters to the specified angles and to the same length, as fast cutting can be obtained only when all cutters are uniform.

- Tighten the chain tension enough that the chain does not wobble. Do all of your filing at the midpoint of the bar. Wear gloves for protection.
- Use a round file and holder.
- Keep the file level with the top plate of the tooth. Do not let the file dip or rock.
- Using light but firm pressure, stroke towards the front corner of the tooth. Lift file away from the steel on each return stroke.
- Put a few firm strokes on every tooth. File all left hand cutters in one direction. Then move to the other side and file the right hand cutters in the opposite direction. Occasionally remove filings from the file with a wire brush.



⚠ CAUTION

Dull or improperly sharpened chain can cause excessive motor speed during cutting which may result in severe motor damage.

⚠ WARNING

Improper chain sharpening increases the potential of kickback. Failure to replace or repair damaged chain can cause serious injury.

ENVIRONMENTALLY SAFE BATTERY DISPOSAL

The batteries used in this polesaw's battery pack contain the following toxic and corrosive material: LITHIUM-ION, a toxic material.



▲ W A R N I N G

Toxic materials must be disposed of in a specific manner in order to prevent contamination of the environment. Before disposing of damaged or worn out Lithium-Ion battery packs, contact your local waste disposal agency or the local Environmental Protection Agency for information and specific instructions. Take the batteries to a local recycling and/or disposal center that is certified for disposal. If the battery pack cracks or breaks, whether it leaks or not, do not recharge it and do not use it. Dispose of it and replace it with a new battery pack.

DO NOT ATTEMPT TO REPAIR IT!

Follow these instructions and to avoid damage to the environment:

- Cover the battery's terminals with heavy-duty adhesive tape.
- Do not attempt to remove or destroy any of the components of the battery pack.
- Do not attempt to open the battery pack.
- If a leak develops, the electrolytes that are released are corrosive and toxic. Do not get the solution in the eyes or on the skin, and do not swallow it.
- Do not place batteries in regular household trash.
- DO NOT incinerate batteries.
- DO NOT place batteries where they will become part of any waste landfill or municipal solid waste stream.
- Dispose of batteries at a certified recycling or disposal center.

TROUBLESHOOTING

PROBLEM	POSSIBLE CAUSE	SOLUTION
Polesaw fails to switch	The poles are not assembled correctly.	Reassemble the poles according to the instructions.
	No electrical contact between the polesaw and battery.	To secure the battery, make sure the latches on the battery compartment snap into place.
	The battery pack is depleted.	Charge the battery pack.
	The lock-off lever and trigger are not depressed simultaneously.	Press down the lock-off lever and hold it, then depress the trigger to turn on the pole saw.
	The battery and power tool is too hot or too cold.	Refer to the battery and charger maintenance part in the manual.
Bar and chain running hot and smoking.	No oil in the oil tank.	Refill oil into the oil tank.
	The discharge port is blocked by debris.	Refer to the manual to remove the bar and clean out the debris.
	Inlet opening in inner oil tank is blocked by debris.	Clean the oil tank, and refill with clean bar and chain lubricant.
	The sprocket is stuck and clogged with debris.	Clean the sprocket and refill with clean bar and chain lubricant.
The chain and bar running too hot and can not cutting.	Chain tension for overtightened or loose condition.	Refer to Re-tensioning the saw chain in the manual.
	Dull chain.	Sharpen or replace the chain.
	Chain on backwards.	Refer to Replacing the Bar and Chain assembly earlier in this manual.
Motor running, but cutting abnormal	Motor stops after about 3 seconds.	Recharge the battery.
	When using the polesaw under load, it stops.	Release trigger. Restart the polesaw. Do not force the polesaw. Refer to the manual for proper use.
	Battery is not charged.	Charge the battery. Refer to the battery and charger manual for correct charging procedures.
	Lack of bar and chain lubricant can cause increased friction. Chain needs to be properly maintained.	Make sure the polesaw always has bar and chain lubricant.
	Incorrect battery storage temperature.	Allow the battery pack to cool until the temperature drops to room temperature.

LIMITED WARRANTY



GREENWORKS™ hereby warrants this product, to the original purchaser with **proof of purchase**, 2 year commercial power train warranty, 1 year commercial battery warranty against defects in materials, parts or workmanship. GREENWORKS™, at its own discretion will repair or replace any and all parts found to be defective, through normal use, free of charge to the customer. This warranty is valid only for units which have been used for personal use that have not been hired or rented and that have been maintained in accordance with the instructions in the owners' manual supplied with the product from new.

2 Year Limited Power Train Warranty Coverage:

- Motor
- PCB Boards
- Gear Box
- 2 years from the date of purchase (non transferable)

1 Year Limited Battery Warranty Coverage:

- Greenworks Commercial Battery Packs (GL 200, GL 250, GL 300, GL 400, GL 500, GL 900)
- 1 year from the date of purchase (non transferable)

60 Day Limited Wearable Parts Warranty Coverage:

- Bars
- Blades
- Guards
- Chains
- Bump Feed Heads
- Tines
- 60 Days from date of purchase (non transferable)

Warranty Exclusions, Limitations and Rights:

1. All warranties may not be transferred by the consumer to any subsequent purchaser.
2. Parts or components not supplied by the warrantor, or parts or components that have been modified.
3. Any failure resulting from the use of improper tools or improper repair procedures.

LIMITED WARRANTY

1. Any failure or part that has become inoperative due to accident, impact, abuse, misuse, neglect, mishandling, dulling of cutting edges, or failure to operate the product in accordance with the information provided in the instruction manual supplied with the product.
2. Normal deterioration of the exterior due to use or exposure, and any repairs made necessary by normal wear, improper maintenance, improper lubrication, improper storage, dirt, abrasives, impact, moisture, water, rain, snow, rust, corrosion, varnish, or other similar conditions.
3. Routine maintenance items such as lubricants, blade sharpening.
4. The unit, if it has not been operated and/or maintained in accordance with the owner's manual.
5. Improper voltage for electric products and batteries that have been exposed to temperatures beyond those specified in the product's instruction manual, batteries that have not been properly charged or batteries that have reached their useful life.

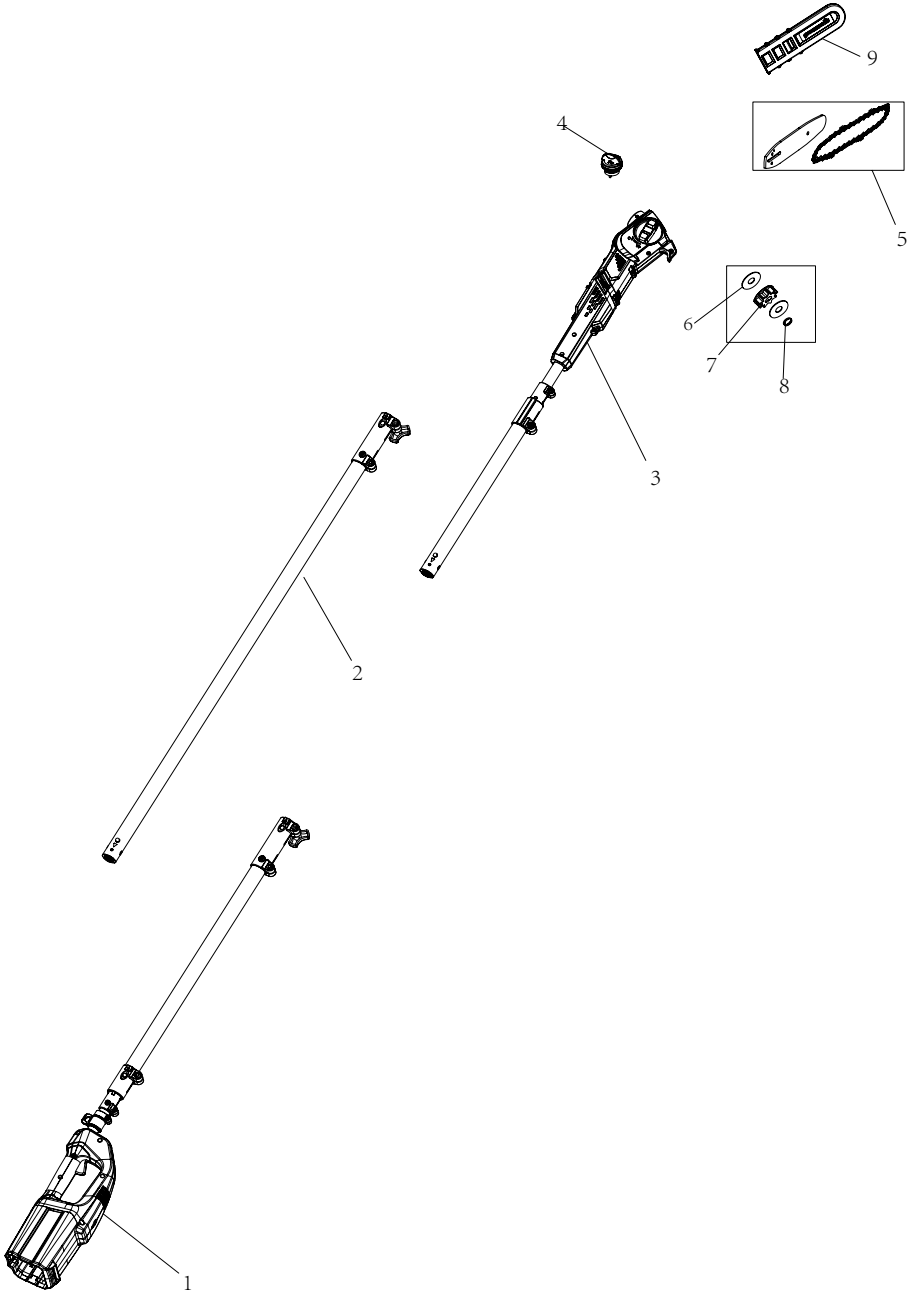
GREENWORKS HELPLINE:

Warranty service is available by calling our toll-free helpline, at **1-855-470-4267**.

TRANSPORTATION CHARGES:

Transportation charges for the movement of any power equipment unit or attachment are the responsibility of the purchaser. It is the purchaser's responsibility to pay transportation charges for any part submitted for replacement under this warranty unless such return is requested in writing by **GREENWORKS**.

EXPLODED VIEW



PARTS LIST


ITEM NO.	PART NO.	DESCRIPTION	QTY
1	311001892	Polesaw Handle Assembly	1
2	311011892	Pole Assembly	1
3	311021892	Pole Head Assembly	1
4	311051734B	Oil Cap Assembly	1
5	311031892	Bar and Chain Assembly	1
6	33304590	Distance Sleeve	1
7	339001726	Sprocket	1
8	32209590	C-Clip	1
9	34114155-1	Scabbard	1

GREENWORKS COMMERCIAL

Greenworks Tools
PO Box 1238
Mooresville, NC 28115

TOLL-FREE HELPLINE: 1-855-470-4267

Rev: 01 (02-10-17)

 Printed in China on 100% Recycled Paper