

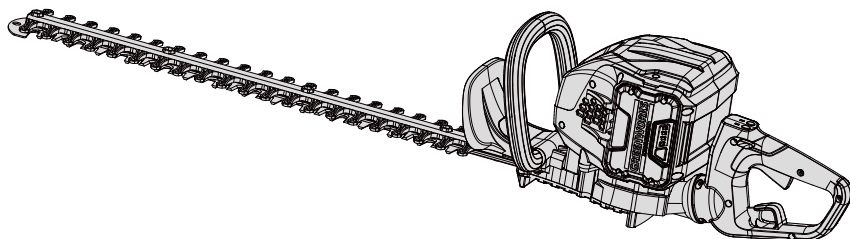
---

# GREENWORKS

## COMMERCIAL

82V CORDLESS HEDGE TRIMMER

GH 260  
(2201702)



Owner's Manual

**TOLL-FREE HELPLINE: 1-855-470-4267**

[www.greenworkstools.com/82v-Commercial/](http://www.greenworkstools.com/82v-Commercial/)

---

**⚠** Read all safety rules and instructions carefully before operating this tool.

# CONTENTS

---

Contents .....	2
Specifications .....	2
Important safety instructions .....	3
Symbols .....	6
Know your hedge trimmer .....	8
Assembly .....	9
Operating .....	10
Battery & charger maintenance .....	13
Maintenance .....	15
Environmentally safe battery disposal .....	16
Troubleshooting .....	17
Limited warranty .....	18
Exploded View .....	20
Parts List .....	21

# PRODUCT SPECIFICATIONS

---

## 82V LITHIUM-ION 26" CORDLESS HEDGE TRIMMER

Type .....	Cordless, battery-operated
Motor .....	82V Brushless
Blade length .....	26" (66 cm)
Cutting capacity .....	3/4"
Reciprocating speed .....	4000 (±10%) SPM
Weight (without battery) .....	9.7 lbs. (4.4 kg)



# IMPORTANT SAFETY INSTRUCTIONS

---

## **⚠ WARNING**

**Read all safety warnings and all instructions.** Failure to follow the warnings and instructions may result in electric shock, fire, and/or serious injuries.

---

**Save all warnings and instructions for future reference.**

The term “power tool” in all of the warnings listed below refers to your mains-operated (corded) power tool or battery-operated (cordless) power tool.

### **1. WORK AREA SAFETY**

- **Keep your work area clean and well lit.** Cluttered or dark areas invite accidents.
- **Do not operate power tools in explosive atmospheres, such as in the presence of flammable liquids, gases, or dust.** Power tools create sparks which may ignite the dust or fumes.
- **Keep bystanders, children, and visitors away while operating a power tool.** Distractions can cause you to lose control.

### **2. ELECTRICAL SAFETY**

- **Avoid body contact with earthed or grounded surfaces such as pipes, radiators, ranges and refrigerators.** There is an increased risk of electric shock if your body is earthed or grounded.
- **Do not expose power tools to rain or wet conditions.** Water entering a power tool will increase the risk of electric shock.
- **If operating a power tool in a damp location is unavoidable, use a residual current device (RCD) protected supply.**

### **3. PERSONAL SAFETY**

- **Stay alert, watch what you are doing, and use common sense when operating a power tool. Do not use tool while tired or under the influence of drugs, alcohol, or medication.** A moment of inattention while operating power tools may result in serious personal injury.
- **Use personal protective equipment. Always wear eye protection.** Protective equipment such as dust mask, non-skid safety shoes, hard hat, or hearing protection used for appropriate conditions will reduce personal injuries.
- **Prevent unintentional starting.** Ensure the switch is in the off-position before connecting to power source and/or battery pack, picking up or carrying the tool. Carrying power tools with your finger on the switch or energising power tools that have the switch on invites accidents.
- **Remove any adjusting key or wrench before turning the power tool on.** A wrench or a key left attached to a rotating part of the power tool may result in personal injury.
- **Do not overreach. Keep proper footing and balance at all times.** Proper footing and balance enable better control of the tool in unexpected situations.
- **Dress properly. Do not wear loose clothing or jewelry.** Keep your hair, clothing and gloves away from moving parts. Loose clothes, jewelry, or long hair can be caught in moving parts.
- **If devices are provided for the connection of dust extraction and collection facilities, ensure these are connected and properly used.** Use of these devices can reduce dust-related hazards.

# IMPORTANT SAFETY INSTRUCTIONS

---

## 4. POWER TOOL USE AND CARE

- **Do not force the power tool. Use the correct power tool for your application.** The correct power tool will do the job better and safer at the rate for which it was designed.
- **Do not use the power tool if the switch does not turn it on and off.** Any power tool that cannot be controlled with the switch is dangerous and must be repaired.
- **Disconnect the battery pack from the power tool before making any adjustments, changing accessories, or storing power tools.** Such preventive safety measures reduce the risk of starting the power tool accidentally.
- **Store idle power tools out of the reach of children and do not allow persons unfamiliar with the power tool or these instructions to operate the power tool.** Power tools are dangerous in the hands of untrained users.
- **Maintain power tools.** Check for misalignment or binding of moving parts, breakage of parts and any other condition that may affect the power tools operation. If damaged, have the power tool repaired before use. Many accidents are caused by poor maintenance.
- **Keep cutting tools sharp and clean.** Properly maintained cutting tools with sharp cutting edges are less likely to bind and are easier to control.
- **Use the power tool, accessories and tool bits etc. in accordance with these instructions, taking into account the working conditions and the work to be performed.** Use of the power tool for operations different from those intended could result in a hazardous situation.

## 5. BATTERY TOOL USE AND CARE

- **Ensure the switch is in the off position before inserting battery pack.** Inserting the battery pack into power tools that have the switch on invites accidents.
- **Recharge only with the charge specified by the manufacturer.** A charger that is suitable for one type of battery pack may create a risk of fire when used with another battery pack.
- **Use power tools only with specifically designated battery packs.** Use of other battery packs may create a risk of injury and fire.
- **When battery pack is not in use, keep it away from the other metal objects, like paper clips, coins, keys, nails, screws, or other small metal objects that can make a connection from one terminal to another.** Shorting the battery terminals together may cause a fire.
- **Under abusive conditions, liquid may be ejected from the battery; avoid contact.** If contact accidentally occurs, flush with water. If liquid contacts eyes, seek medical attention immediately. Liquid ejected from the battery may cause irritation or burns.

## 6. SERVICE

- **Have your power tool serviced by a qualified repair person using only identical replacement parts.** This will ensure that the safety of the power tool is maintained.

# IMPORTANT SAFETY INSTRUCTIONS

---

## HEDGE TRIMMER SAFETY WARNINGS

- **Use both hands when operating the hedge trimmer. Using one hand could cause loss of control and result in serious personal injury.**
- **Keep all parts of the body away from the cutting blade. Do not remove cut material or hold material to be cut when blades are moving. Make sure the switch is off and the battery has been removed when clearing jammed material.** Blades coast for a short time after the tool has been turned off. A moment of inattention while operating the hedge trimmer may result in serious personal injury.
- **Carry the hedge trimmer by the handle with the cutting blade stopped.** Proper handling of the hedge trimmer will reduce possible personal injury from the cutter blades.
- **Hold the power tool by insulated gripping surfaces only, because the cutting blade may contact hidden wiring or its own cord.** Cutting blades contacting a “live” wire may make exposed metal parts of the power tool “live” and could give the operator an electric shock.
- **DANGER - Keep hands away from blade.** Contact with blade will result in serious personal injury.
- **Keep cable away from cutting area.** During operation the cable may be hidden in shrubs and can be accidentally cut by the blade.

---

## **⚠ WARNING**

**Only use with handle and guard properly assembled to hedge trimmer.** The use of the hedge trimmer without the proper guard or handle provided may result in serious personal injury.

---

---

## **⚠ WARNING (PROPOSITION 65)**

Some dust created by power sanding, sawing, grinding, drilling, and other construction activities contains chemicals known to cause cancer, birth defects or other reproductive harm. Some examples of these chemicals are:

- Lead from lead-based paints
- Crystalline silica from bricks and cement and other masonry products, and
- Arsenic and chromium from chemically treated lumber.










Your risk of exposure to these chemicals varies depending on how often you do this type of work. To reduce your exposure to these chemicals, work in a well-ventilated area, and work with approved safety equipment, such as dust masks that are specially designed to filter out microscopic particles.

---

**SAVE THESE INSTRUCTIONS**

# SYMBOLS




Some of the following symbols may be used on this product. Please study them and learn their meaning. Proper interpretation of these symbols will allow you to operate the product better and safer.

SYMBOL	NAME	DESIGNATION/EXPLANATION
V	Volts	Voltage
A	Amperes	Current
Hz	Hertz	Frequency (cycles per second)
W	Watt	Power
min	Minutes	Time
~	Alternating Current	Type of current
≡	Direct Current	Type or a characteristic of current
	Wet Conditions Alert	Do not expose to rain or use in damp locations.
	Read The Operator's Manual	To reduce the risk of injury user must read and understand operator's manual before using this product.
	Safety Alert	Precautions that involve your safety.
	Keep Bystanders Away	Keep all bystanders at least 50 ft. away.
	Eye Protection	Always wear safety goggles or safety glasses that comply with ANSI Z87.1 with side shields and, as necessary, a full face shield when operating this product.
	Ricochet	Thrown objects can ricochet and result in personal injury or property damage.
	Sharp Blade	Do not install or use any type of blade on a product displaying this symbol.
	Class II Construction	Double-insulated construction
	Gloves	Wear non-slip, heavy duty gloves.

# SYMBOLS

---

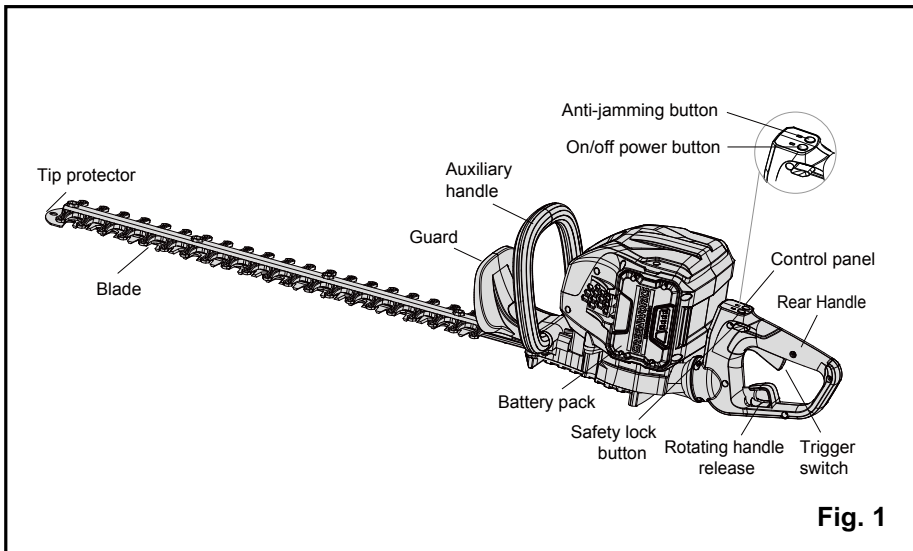
The following signal words and meanings are intended to explain the levels of risk associated with this product.

<b>SYMBOL</b>	<b>SIGNAL</b>	<b>MEANING</b>
	<b>DANGER</b>	Indicates an imminently hazardous situation, which, if not avoided, will result in death or serious injury.
	<b>WARNING</b>	Indicates a potentially hazardous situation, which, if not avoided, could result in death or serious injury.
	<b>CAUTION</b>	Indicates a potentially hazardous situation, which, if not avoided, may result in minor or moderate injury.
	<b>CAUTION</b>	(Without Safety Alert Symbol) Indicates a situation that may result in property damage.

---

**SAVE THESE INSTRUCTIONS**

# KNOW YOUR HEDGE TRIMMER



**Fig. 1**

## **KNOW YOUR HEDGE TRIMMER (See Figure 1.)**

The safe use of this product requires an understanding of the information on the product and in this operator's manual as well as a knowledge of the project you are attempting. Before use of this product, familiarize yourself with all operating features and safety rules.

### **GUARD**

The guard helps to deflect chips or other debris away from the operator's hands and eyes.

### **SAFETY LOCK BUTTON**

The safety lock button must be depressed before the trigger switch is depressed. Once the trigger switch is engaged, the safety lock button can be released. When the trigger switch is released, the safety lock button will automatically return to the locking position.

### **BLADE**

Dual action steel blades for cutting hedges and shrubs.

### **AUXILIARY HANDLE**

For easy control of the tool during cutting.

### **TRIGGER SWITCH**

The switch trigger (located beneath the rear handle) and the safety lock button (located behind the auxiliary handle) must be depressed simultaneously to allow blade rotation.

### **ROTATING HANDLE RELEASE**

The handle of your hedge trimmer rotates 90 degrees to the left or right for controlled and precision trimming.



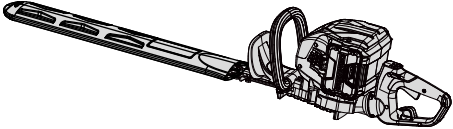

# ASSEMBLY

---

## UNPACKING

- This product requires no assembly.
- Carefully remove the product and any accessories from the box. Make sure that all items listed in the packing list are included.
- Inspect the product carefully to make sure no breakage or damage occurred during shipping.
- Do not discard the packing material until you have carefully inspected and satisfactorily operated the product.
- If any parts are damaged or missing, please call **1-855-470-4267** for assistance.

## PACKING LIST

Part Name	Figure	Qty
Cordless hedge trimmer		1
Operator's manual		1

---

## **⚠** WARNING

To avoid personal injury:

- Handle the blade with care.
  - Do not place your fingers or hand between the notches in the blade or in any position where they could get pinched or cut.
  - Never service the blade or hedge trimmer unless the battery pack is removed.
  - Do not use if the blade assembly is damaged or bent. Take to a qualified person to straighten, replace, or sharpen.
  - Always keep both hands on the hedge trimmer handles to prevent your hand from touching the blade.
-

# OPERATING

---

**To install the battery** (See Figure 2.)

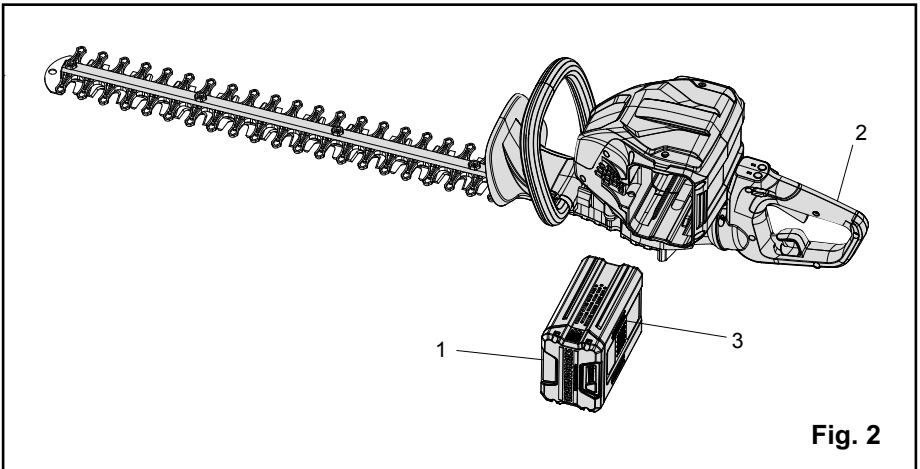
**IMPORTANT!** The battery pack (GL 200, GL 250, GL 300, GL 400, GL 500, GL 900) is not charged when it is purchased. Before using the hedger for the first time, place the battery pack on the battery charger and charge. Make sure to read all safety precautions, and follow the instructions in the Battery Charger section.

1. Align the grooves (3) of the battery pack with the cavity in the handle housing.
2. Grasp the rear handle (2) firmly.
3. Push the battery pack into the handle until the latch locks into place.

*NOTE: The battery pack fits snugly into the handle to prevent accidental dislodging. It may require a strong pull to remove.*

**To remove the battery** (See Figure 2.)

1. Press the latch button on the battery pack down (1) and hold.
2. Grasp the rear handle (2) firmly. Pull the battery pack out of the handle.



**IMPORTANT!** DO NOT remove the blade assembly unless it needs sharpening, straightening, or replacing. Take it to a qualified person for repair.

---

## **⚠ WARNING**

Follow these instructions in order to avoid injury and to reduce the risk of electric shock or fire:

- Replace the battery pack or the charger immediately if the battery case or charger cord is damaged.
  - Verify that the switch is in the OFF position before inserting or removing the battery pack.
  - Verify that the battery pack is removed and the switch is in the OFF position before inspecting, adjusting, or performing maintenance on any part of the hedge trimmer.
  - Read, understand, and follow the instructions contained in the section entitled Charging Procedure.
-

# OPERATING

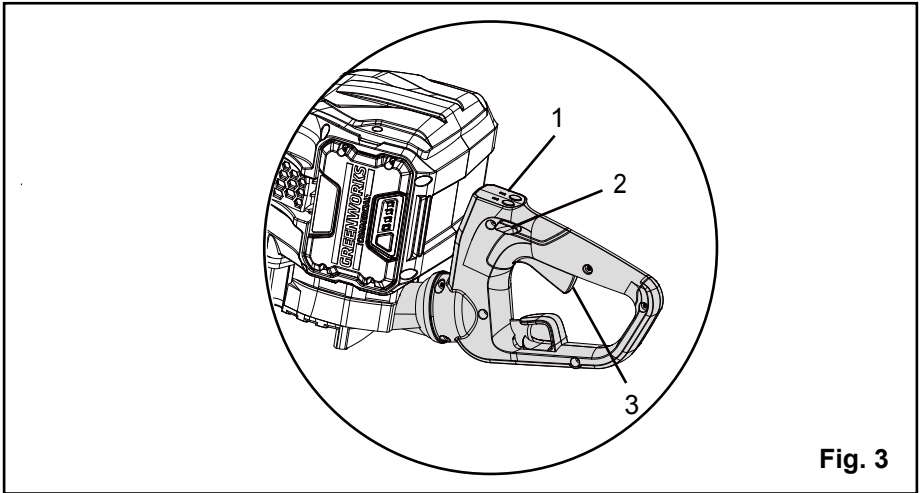
---

## **STARTING AND STOPPING HEDGE TRIMMER** (See Figure 3.)

The hedge trimmer has an electronic control panel with on/off button and an anti-jam function. It also has a safety lock button and switch trigger.

1. Push the power button (I/O) to turn the unit on.
2. Press the safety lock button (2) into the handle and hold.
3. Squeeze the trigger switch (3). The hedge trimmer will turn ON.
4. Release the safety lock button. The hedge trimmer will stay on as long as the trigger switch is engaged.
5. The hedge trimmer will stop if you release the trigger handle.

**IMPORTANT:** If the hedge trimmer is accidentally dropped, the hedge trimmer will turn OFF and the blade will coast to a stop after several seconds. The hedge trimmer will then be locked OFF again.

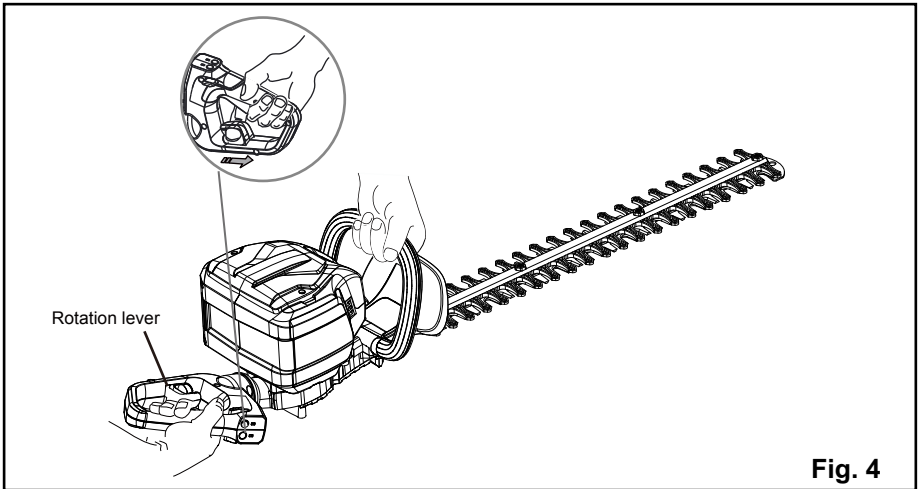


**Fig. 3**

# OPERATING

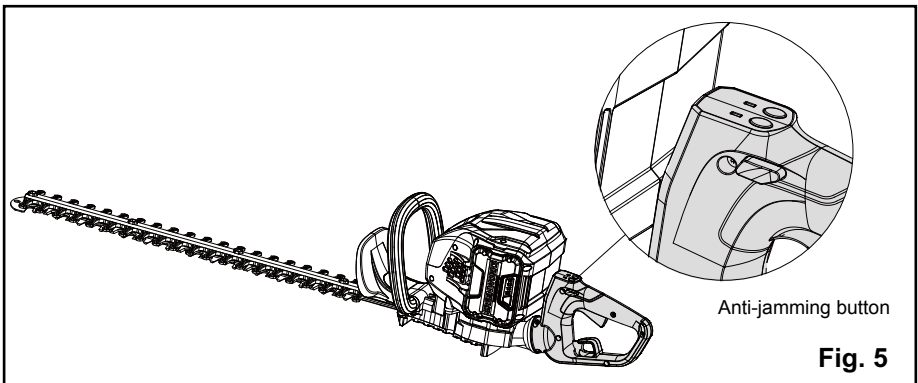
## USING THE ROTATING REAR HANDLE (See Figure 4.)

1. Place the hedge trimmer on a flat and even surface.
2. Make sure that you released the trigger.
3. Pull the rotation lever and begin turning the rear handle. Release the rotation lever and turn the handle 90 degrees to either side until it clicks into place and the lever locks in.
4. To turn the handle back to center, pull the rotation lever again, turn the handle slightly, release the rotation lever and continue turning the handle until it locks into place.



## ANTI-JAMMING FUNCTION (See Figure 5.)

If a branch is lodged in the blade, press the anti-jamming button on the control panel, the blade will reverse twice, and the branch should be released.



# BATTERY & CHARGER MAINTENANCE

## CHARGING PROCEDURE

**NOTE:** The battery is not shipped fully charged. It is recommended to fully charge before first use to ensure that maximum run time can be achieved. This lithium-ion battery will not develop a memory and may be charged at any time.

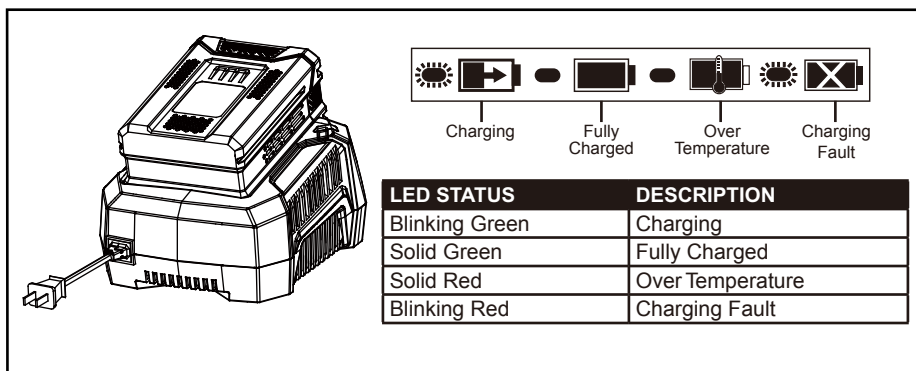
### Low voltage charging:

If the battery has been stored with little to no charge for a long period of time, the charger will go into recovery mode, which will take 20 hrs to fully charge the battery. This will enhance the life of the battery. Once it is fully charged, the next charge will return to standard charging.

A fully discharged battery pack will require the allotted time as stated in the battery manual.

- Plug the charger into an AC power outlet.
- Insert the battery into the charger.

This is a diagnostic charger. The Charger LED Lights will illuminate in specific order to communicate the current battery status. They are as follows:



LED STATUS	DESCRIPTION
Blinking Green	Charging
Solid Green	Fully Charged
Solid Red	Over Temperature
Blinking Red	Charging Fault

### False defect note:

When the battery is inserted into the charger and the status LED blinks RED, remove the battery from the charger for 1 minute, then reinsert. If the status LED blinks GREEN, then the battery is properly charging. If the status LED is still blinking RED, remove the battery and unplug the charger for 1 minute. After 1 minute, plug in the charger and reinsert the battery. If the status LED blinks GREEN, then the battery is properly charging. If the status LED is still blinking RED, the battery is defective and needs to be replaced.

# BATTERY & CHARGER MAINTENANCE

---

## CHECKING THE CHARGE

If the battery pack does not charge properly:

- Check the current at the power outlet with another tool . Make sure that the outlet is not turned off.
- Check that the charger contacts have not been shorted by debris or foreign material.
- If the air temperature is above 104°F or below 45°F, move the charger and battery pack to a room temperature location.

---

## **⚠** WARNING

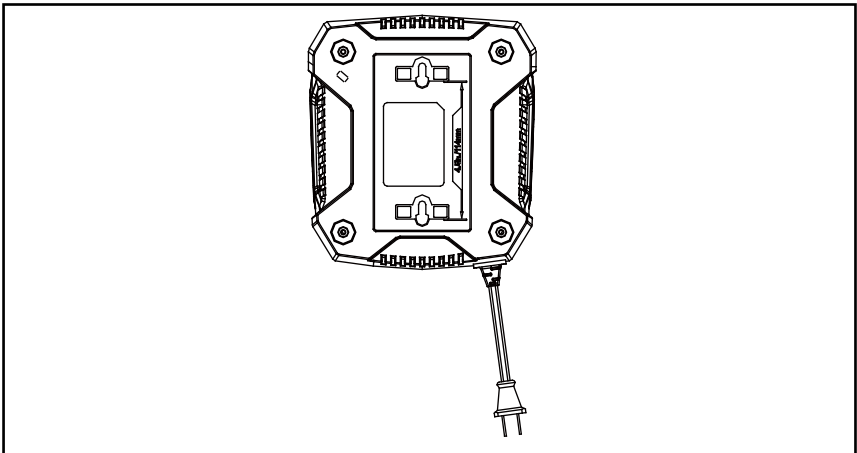
If the battery is inserted into the charger when warm or hot, the CHARGING LED indicator light on the charger may switch on and illuminate RED. If this occurs allow the battery to cool inside of the charger for up to 30 minutes. Charging should automatically start once battery has cooled.

---

## CHARGER MOUNTING

1. This charger can be installed on a wall using two #8 screws (not included).
2. Locate the desired wall placement for the charger to be mounted.
3. If fastening to wood studs use 2 wood screws (not included ) .
4. Drill two holes 4.5 in. apart ensuring that they are vertically aligned.
5. If fastening to drywall use wall anchors (not included) and screws to secure the charger to the wall.

Note: If the battery and the charger won't be used for a long time, remove the battery from the charger and pull out the AC power plug.



# MAINTENANCE

---

## **⚠ WARNING**

To avoid risk of fire, electric shock, or electrocution:

- Do not use a damp cloth or detergent on the battery or battery charger.
  - Always remove the battery pack before cleaning, inspecting, or performing any maintenance on the hedge trimmer.
- 

### **Cleaning**

1. Wipe the outside of the hedge trimmer with a dry, soft cloth. Do not hose down or wash with water.
2. Scrape the guard to remove dried clippings and mud.
3. Brush or blow dust, debris, and grass clippings out of the air vents. Keep them free of obstruction.

### **Battery Pack**

- Store the battery pack fully charged.
- Once the charging light turns green, remove the battery from the charger.
- Do not store the battery pack on the tool.
- After charging, the battery pack may be stored in the charger, as long as the charger is not plugged in.

### **Charger Maintenance**

- Keep the charger clean and clear of debris. Do not allow foreign material to get into the recessed cavity or onto the contacts. Wipe the charger clean with a dry cloth. Do not use solvents or water, and do not place the charger in wet conditions.
- Unplug the charger when there is no battery pack in it.
- Fully charge the batteries before placing them in storage.
- Store the charger at normal room temperature. Do not store it in excessive heat. Do not use the charger in direct sunlight. Recharge at room temperature between 45°F and 104°F (7°C and 40°C). If the battery pack is hot, allow it to cool down before recharging.

# ENVIRONMENTALLY SAFE BATTERY DISPOSAL

---

The following toxic and corrosive materials are in the batteries used in this hedge trimmer battery pack: **Lithium-Ion, a toxic material.**



---

## **▲ WARNING**

All toxic materials must be disposed of in a specified manner to prevent contamination of the environment. Before disposing of damaged or worn out Lithium-Ion battery packs, contact your local waste disposal agency, or the local Environmental Protection Agency for information and specific instructions. Take the batteries to a local recycling and/or disposal centre, certified for lithium-ion disposal.

---

---

## **▲ WARNING**

If the battery pack cracks or breaks, with or without leaks, do not recharge it and do not use. Dispose of it and replace with a new battery pack. **DO NOT ATTEMPT TO REPAIR IT!** To avoid injury and risk of fire, explosion, or electric shock, and to avoid damage to the environment:

- Cover the battery's terminals with heavy-duty adhesive tape.
  - DO NOT attempt to remove or destroy any of the battery pack components.
  - DO NOT attempt to open the battery pack.
  - If a leak develops, the released electrolytes are corrosive and toxic. DO NOT get the solution in the eyes or on skin, and do not swallow it.
  - DO NOT place these batteries in your regular household trash.
  - DO NOT incinerate.
  - DO NOT place them where they will become part of any waste landfill or municipal solid waste stream.
  - Take them to a certified recycling or disposal centre.
-



# TROUBLESHOOTING

---

<b>PROBLEM</b>	<b>POSSIBLE CAUSE</b>	<b>SOLUTION</b>
Motor fails to start when switch trigger is depressed.	Battery is not secure.  Battery is not charged.	To secure the battery pack, make sure the latches on the top of the battery pack snap into place.  Charge the battery pack according to the instructions included with your model.
Motor runs, but cutting blades do not move.	Hedger damaged. Do not use hedge trimmer.	Call for technical service.
Hedge trimmer smokes during operation.	Hedger damaged. Do not use hedge trimmer.	Call for technical service.
Motor hums, blades do not move.	Debris or other may be jamming the blades	Remove battery, clear debris blockage from blades.

# LIMITED WARRANTY

---



GREENWORKS™ hereby warranties this product, to the original purchaser with **proof of purchase**, 2 year commercial power train warranty, 1 year commercial battery warranty against defects in materials, parts or workmanship. GREENWORKS™, at its own discretion will repair or replace any and all parts found to be defective, through normal use, free of charge to the customer. This warranty is valid only for units which have been used for personal use that have not been hired or rented and that have been maintained in accordance with the instructions in the owners' manual supplied with the product from new.

## **2 Year Limited Power Train Warranty Coverage:**

- Motor
- PCB Boards
- Gear Box
- 2 years from the date of purchase (non transferable)

## **1 Year Limited Battery Warranty Coverage:**

- Greenworks Commercial Battery Packs (GL 200, GL 250, GL 300, GL 400, GL 500, GL 900)
- 1 year from the date of purchase (non transferable)

## **60 Day Limited Wearable Parts Warranty Coverage:**

- Bars
- Blades
- Guards
- Chains
- Bump Feed Heads
- Tines
- 60 Days from date of purchase (non transferable)

## **Warranty Exclusions, Limitations and Rights:**

1. All warranties may not be transferred by the consumer to any subsequent purchaser.
2. Parts or components not supplied by the warrantor, or parts or components that have been modified.
3. Any failure resulting from the use of improper tools or improper repair procedures.

# LIMITED WARRANTY

---

4. Any failure or part that has become inoperative due to accident, impact, abuse, misuse, neglect, mishandling, dulling of cutting edges, or failure to operate the product in accordance with the information provided in the instruction manual supplied with the product.
5. Normal deterioration of the exterior due to use or exposure, and any repairs made necessary by normal wear, improper maintenance, improper lubrication, improper storage, dirt, abrasives, impact, moisture, water, rain, snow, rust, corrosion, varnish, or other similar conditions.
6. Routine maintenance items such as lubricants, blade sharpening.
7. The unit, if it has not been operated and/or maintained in accordance with the owner's manual.
8. Improper voltage for electric products and batteries that have been exposed to temperatures beyond those specified in the product's instruction manual, batteries that have not been properly charged or batteries that have reached their useful life.

## **GREENWORKS HELPLINE:**

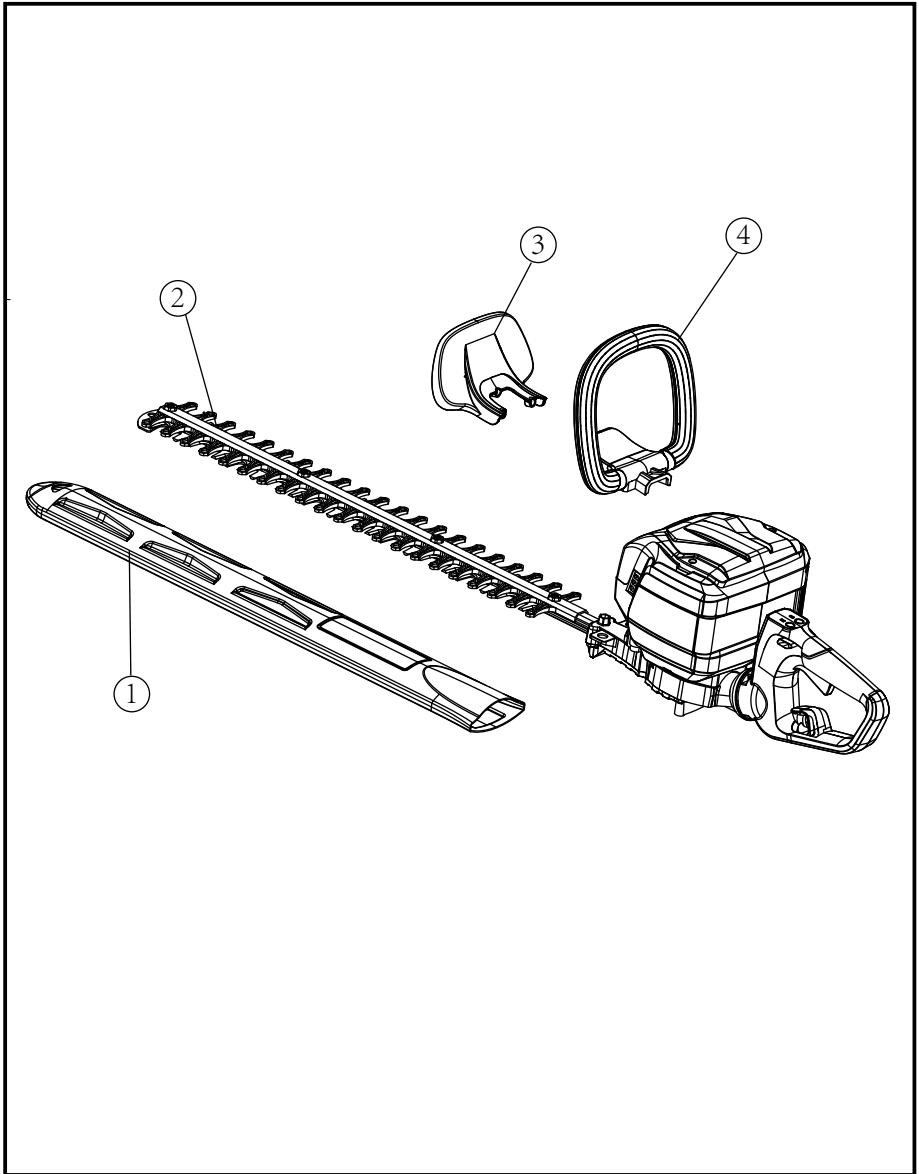
Warranty service is available by calling our toll-free helpline, at **1-855-470-4267**.

## **TRANSPORTATION CHARGES:**

Transportation charges for the movement of any power equipment unit or attachment are the responsibility of the purchaser. It is the purchaser's responsibility to pay transportation charges for any part submitted for replacement under this warranty unless such return is requested in writing by **GREENWORKS**.

# EXPLODED VIEW

---



# PARTS LIST

---

ITEM NO.	PART NO.	DESCRIPTION	QTY
1	341051907	Blade cover	1
2	311011907	Bare tool assembly	1
3	34110897	Guard	1
4	311021907	Auxiliary handle assembly	1

# **GREENWORKS**

---

## **COMMERCIAL**

**Greenworks Tools  
PO Box 1238  
 Mooresville, NC 28115**

**TOLL-FREE HELPLINE: 1-855-470-4267**

Rev: 00 (11-27-15)



Printed in China on 100% Recycled Paper