

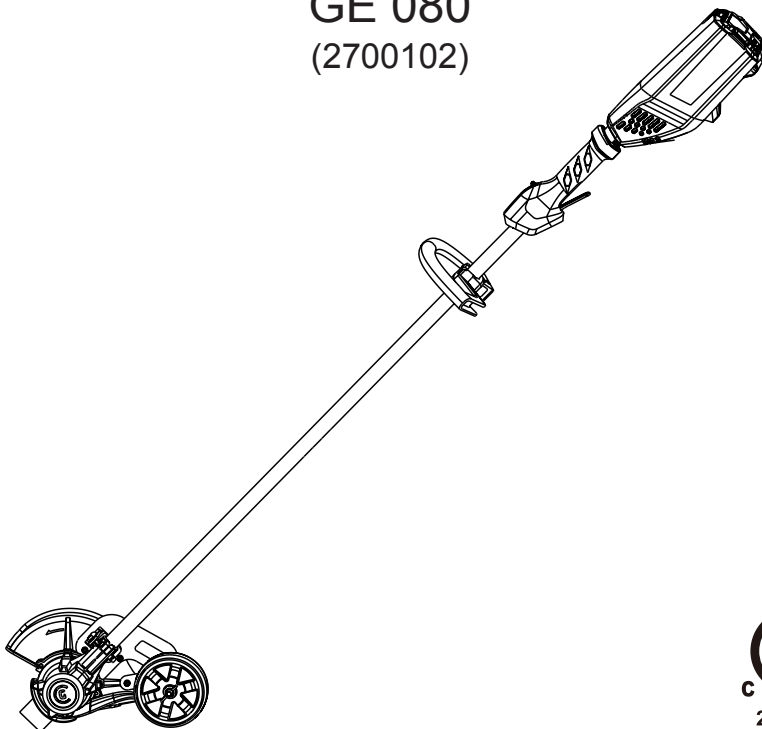
---

# GREENWORKS

## COMMERCIAL

82V Edger

GE 080  
(2700102)



Owner's Manual

**TOLL-FREE HELPLINE: 1-855-470-4267**  
[www.greenworkstools.com/82v-Commercial/](http://www.greenworkstools.com/82v-Commercial/)



---

**⚠** Read all safety rules and instructions carefully before operating this tool.

# CONTENTS

---

Contents .....	2
Product Specifications .....	2
Important Safety Instructions.....	3
Symbols.....	5
Know Your Edger.....	7
Assembly .....	9
Operation.....	12
Maintenance.....	15
Environmentally Safe Battery Disposal .....	16
Troubleshooting.....	17
Warranty.....	18
Exploded View .....	20
Parts List .....	21

# PRODUCT SPECIFICATIONS

---

## 82V LITHIUM-ION EDGER

Type.....	Cordless, battery powered
Motor .....	Brushless
Blade Length .....	8 in. (203 mm)
No load speed .....	7000 $\pm$ 10% RPM
Weight (without battery) .....	10.37 lbs (4.7 kg)



# IMPORTANT SAFETY INSTRUCTIONS

---

## **WARNING**

**Read and understand all instructions before using this product.** Failure to follow all instructions listed below may result in electric shock, fire, and/or serious personal injury.

---

- Use only identical manufacturer's replacement parts and accessories. Use of any other parts may create a hazard or cause product damage.
- Always wear safety glasses with side shields marked to comply with ANSI Z87.1. Everyday glasses have only impact resistant lenses. They are NOT safety glasses. Following this rule will reduce the risk of eye injury. Use face mask if operating in dusty work spaces.
- Avoid Dangerous Environments — Don't expose power tools to damp or wet conditions. Water entering a power tool will increase the risk of electric shock.
- Don't use in rain.
- Keep all bystanders, children, and pets at least 50 ft. away.
- Do not use the power tools for any job except for which it is intended.
- Avoid Unintentional Starting – Do not carry the edger with fingers on the switch. Be sure the battery is removed while transporting.
- Do not operate the equipment while barefoot or when wearing sandals or similar lightweight footwear. Wear footwear that will protect your feet and improve your footing on slippery surfaces.
- Don't overreach - Keep proper footing and balance at all times.
- Stay alert - Watch what you are doing. Use common sense. Do not operate this unit when you are tired, ill or under the influence of alcohol, drugs or medication.
- Always store idle power tools indoors - When not in use, power tools should be stored indoors in a dry place, out of reach of children.
- Power tool maintenance – Replace blade if cracked, chipped, or damaged in any way. Be sure the blade is properly installed and securely fastened. Keep cutting edge sharp and clean for best performance and to reduce the risk of injury. Follow instructions for lubricating and changing accessories. Keep handles dry, clean, and free from oil and grease. Failure to do so can cause serious injury.
- Check Damaged Parts – Before further use of the power tool, a guard or other damaged parts should be carefully checked to determine that it will operate properly and perform its intended function. Check for alignment of moving parts, binding of moving parts, breakage of parts, damaged mountings, and any other condition that may affect its operation. A guard or other damaged parts should be properly repaired or replaced by an authorized service center unless indicated elsewhere in this manual.
- Do not charge or operate cordless tools in damp or wet locations or in the rain. Following this rule will reduce the risk of electric shock.
- Remove or disconnect battery before servicing, cleaning or removing material from the power tool.
- Do not dispose of the batteries in a fire. The cells may explode. Check with local codes for specific disposal instructions.

# IMPORTANT SAFETY INSTRUCTIONS

---

- Do not open or mutilate the batteries. Released electrolytes are corrosive and may cause damage to the eyes or skin. It may be toxic if swallowed.
- Exercise care not to short the battery with conducting materials such as rings, bracelets, and keys. The battery or conductor may overheat and cause burns.
- Dress Properly – Do not wear loose clothing or jewelry. They can be caught in moving parts. Use of rubber gloves and substantial footwear is recommended when working outdoors. Wear protective hair covering to contain long hair.
- Do not add unnecessary force to your power tool – It will do the job better and with less likelihood of a risk of injury at the rate for which it was designed.
- Recharge only with the charger specified by the manufacturer. A charger that is suitable for one type of battery pack may create a risk of fire when used with another battery pack.
- For use only with (GL 200, GL 250, GL 300, GL 400, GL 500, GL 900) battery. For use only with GC 400 charger.
- When battery pack is not in use, keep it away from other metal objects, like paper clips, coins, keys, nails, screws or other small metal objects, that can make a connection from one terminal to another. Shorting the battery terminals together may cause a fire.
- Under abusive conditions, liquid may be ejected from the battery; avoid contact. If contact accidentally occurs, flush with water. If liquid contacts eyes, seek medical help immediately. Liquid ejected from the battery may cause irritation or burns.
- Do not use a battery pack or power tool that is damaged or modified. Damaged or modified batteries may exhibit unpredictable behavior resulting in fire, explosion or risk of injury.
- Keep guards in place and in working order.
- Keep blades sharp.
- Keep hands and feet away from cutting area.

---

## **⚠ W A R N I N G (PROPOSITION 65)**

Some dust created by power sanding, sawing, grinding, drilling, and other construction activities contains chemicals known to cause cancer, birth defects or other reproductive harm. Some examples of these chemicals are:

- Lead from lead-based paints
- Crystalline silica from bricks and cement and other masonry products, and
- Arsenic and chromium from chemically treated lumber.

Your risk of exposure to these chemicals varies depending on how often you do this type of work. To reduce your exposure to these chemicals, work in a well-ventilated area, and work with approved safety equipment, such as dust masks that are specially designed to filter out microscopic particles.








---

**SAVE THESE INSTRUCTIONS**

# SYMBOLS

---




Some of the following symbols may be used on this product. Please study them and learn their meaning. Proper interpretation of these symbols will allow you to operate the product better and safer.

SYMBOL	NAME	DESIGNATION/EXPLANATION
V	Volts	Voltage
min	Minutes	Time
/min	Per Minute	Revolutions, strokes, surface speed, orbits etc., per minute.
≡	Direct Current	Type or a characteristic of current
	Read The Operator's Manual	To reduce the risk of injury user must read and understand operator's manual before using this product.
	Eye Protection	Always wear eye protection with side shields marked to comply with ANSI Z87.1 when operating this equipment.
	Safety Alert	Precautions that involve your safety.
	Ricochet	Thrown objects can ricochet and result in personal injury or property damage.
	Keep Bystanders Away	Keep all bystanders at least 50 ft. away.
	Sharp Blade	Danger - Keep hands and feet away from blade.
	Wet Conditions Alert	Do not expose to rain or use in damp locations.

# SYMBOLS

---

The following signal words and meanings are intended to explain the levels of risk associated with this product.

SYMBOL	SIGNAL	MEANING
	<b>DANGER</b>	Indicates an imminently hazardous situation, which if not avoided will result in death or serious injury.
	<b>WARNING</b>	Indicates a potentially hazardous situation, which if not avoided could result in death or serious injury.
	<b>CAUTION</b>	Indicates a potentially hazardous situation, which if not avoided may result in minor or moderate injury.
	<b>CAUTION</b>	(Without Safety Alert Symbol) Indicates a situation that may result in property damage.

## SERVICE

Servicing requires extreme care and knowledge and should be performed only by a qualified service technician. For service we suggest you return the product to your nearest **AUTHORIZED SERVICE CENTER** for repair. Use only identical manufacturer's replacement parts and accessories.

---

## **WARNING**

To avoid serious personal injury, do not attempt to use this product until you have read this Owner's Manual thoroughly and understand it completely. If you do not understand the warnings and instructions in this Owner's Manual, do not use this product. Call the Toll-free Helpline (1-855-470-4267) for assistance. The operation of any power tool can result in foreign objects being thrown into your eyes, which can result in severe damage to your eyes. Before operating a power tool, always wear safety goggles, safety glasses with side shields, or a full face shield when needed. We recommend a Wide Vision Safety Mask for use over eyeglasses or standard safety glasses with side shields. Always use eye protection that is marked to comply with ANSI Z87.1.

---

---

## **WARNING**



The operation of any power tool can result in foreign objects being thrown into your eyes, which can result in severe eye damage. Before beginning power tool operation, always wear safety goggles or safety glasses with side shields or a full face shield. We recommend Wide Vision Safety Mask for use over eyeglasses or standard safety glasses with side shields. Always use eye protection which is marked to comply with ANSI Z87.1.

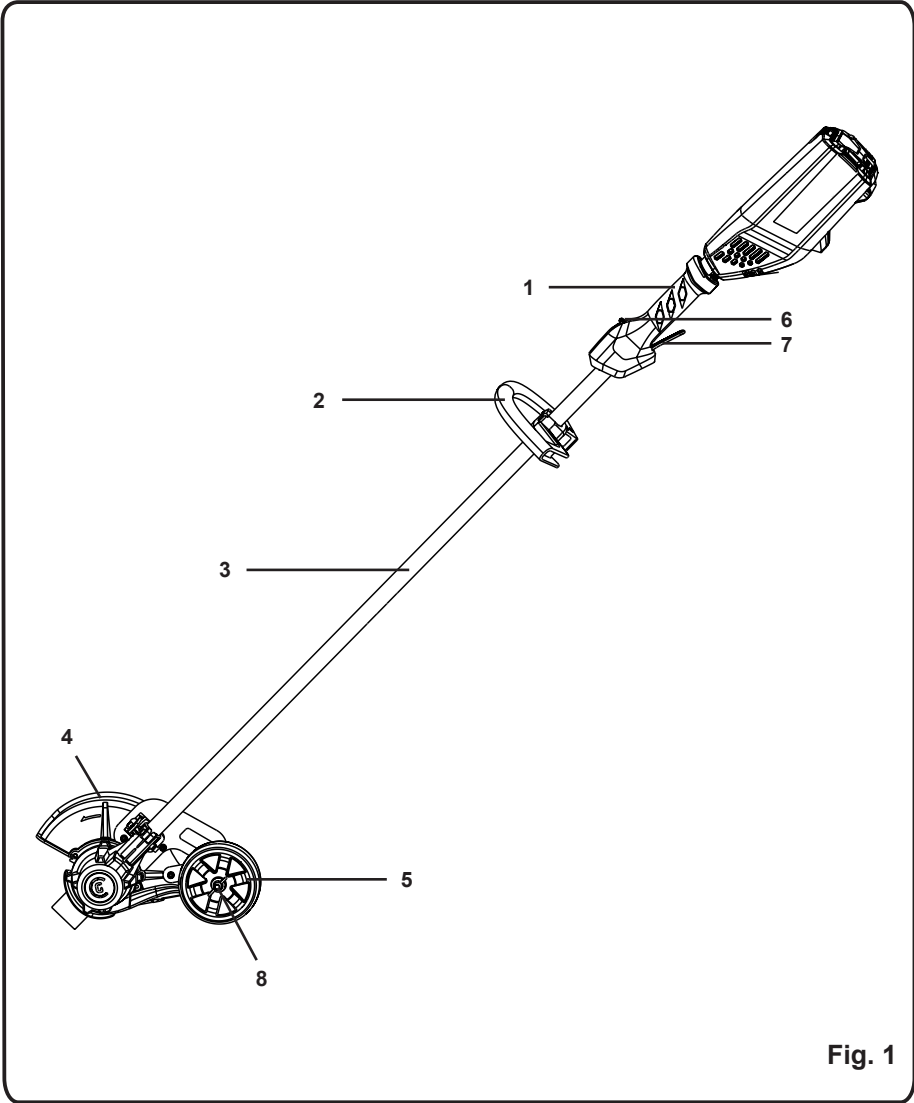
---

**SAVE THESE INSTRUCTIONS**

---

# KNOW YOUR EDGER

---



# KNOW YOUR EDGER

---

## **KNOW YOUR EDGER** *(See Figure 1.)*

The safe use of this product requires an understanding of the information on the product and in this operator's manual as well as a knowledge of the project you are attempting. Before use of this product, familiarize yourself with all operating features and safety rules.

### **1. REAR HANDLE**

Ergonomic handle with overmold improves comfort and grip.

### **2. AUXILIARY HANDLE**

The edger is equipped with an auxiliary handle for added control and ease of operation.

### **3. SOLID TRIMMER SHAFT**

The solid trimmer shaft encloses and protects the cables between the motor and trimmer head.

### **4. GUARD**

The edger includes a guard that helps protect from flying debris.

### **5. EDGER WHEEL**

The edger wheel allows for more stable cutting performance while edging.

### **6. SAFETY LOCK BUTTON**

The safety lock button prevents accidental starting.

### **7. VARIABLE SPEED TRIGGER**

Provides added control and precision.

### **8. DEPTH ADJUSTMENT KNOB (WING NUT)**

The depth adjustment knob allows user to control depth of cut.



# ASSEMBLY

---

## UNPACKING

This product requires assembly.

- Carefully remove the product and any accessories from the box. Make sure that all items listed in the packing list are included.
- Inspect the tool carefully to make sure no breakage or damage occurred during shipping.
- Do not discard the packing material until you have carefully inspected and satisfactorily operated the tool.
- If any parts are damaged or missing, please call 1-855-470-4267.

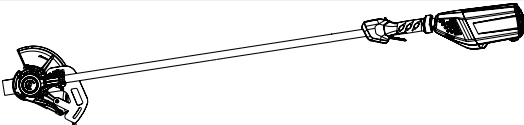
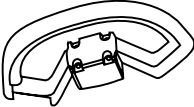




---

## **⚠** WARNING

Do not use this product if any parts on the packing list are already assembled to your product when you unpack it. Parts on this list are not assembled to the product by the manufacturer and require customer installation. Use of a product that may have been improperly assembled could result in serious personal injury.

---

## PACKING LIST

Part Name	Figure	Qty
Edger		1
Auxiliary Handle		1
Wheel Assembly		1
Metal Rod		1
Wrench		1
Operator's Manual		1

# ASSEMBLY

## ⚠ WARNING

If any parts are damaged or missing, do not operate this product until the parts are replaced. Use of this product with damaged or missing parts could result in serious personal injury.

## ⚠ WARNING

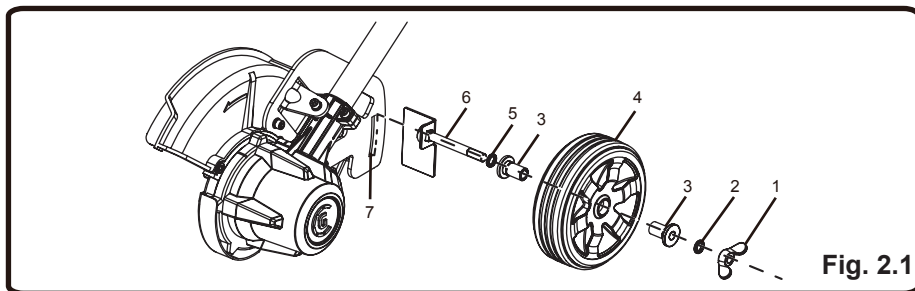
Do not attempt to modify this product or create accessories not recommended for use with this edger. Any such alteration or modification is misuse and could result in a hazardous condition leading to possible serious personal injury.

## ⚠ WARNING

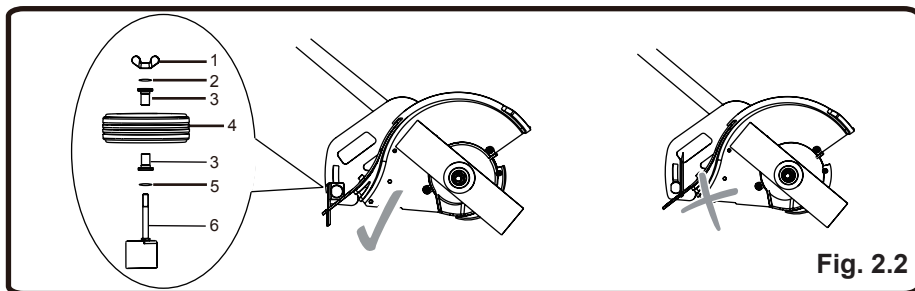
To prevent accidental starting that could cause serious personal injury, always remove the battery pack from the product when assembling parts.

### ATTACHING THE WHEEL (See Figure 2.)

1. Remove the wing nut (1), washer (2), axle sleeve (3), wheel (4), axle sleeve (3), rubber washer (5) and wheel axle (6) orderly from the wheel assembly.
2. Insert the wheel axle(6) into the slot (7) downward, then put the rubber washer (5), axle sleeve (3), wheel (4), axle sleeve (3), washer (2) and wing nut (1) orderly through the wheel axle (6).



3. Tighten the wing nut (1).

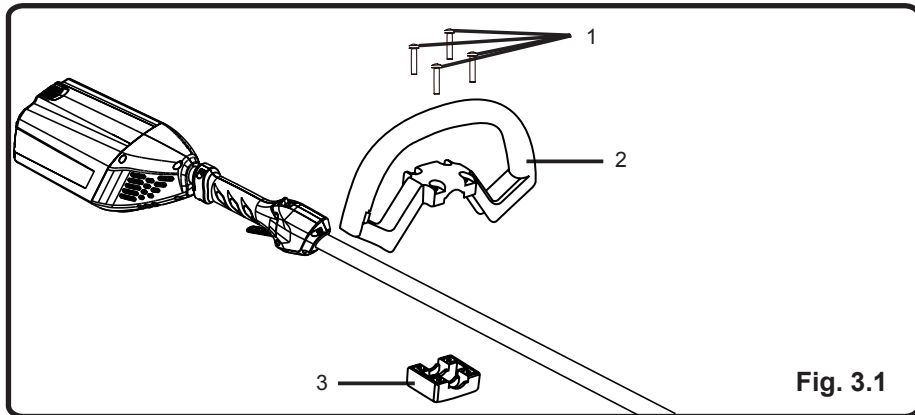


# ASSEMBLY

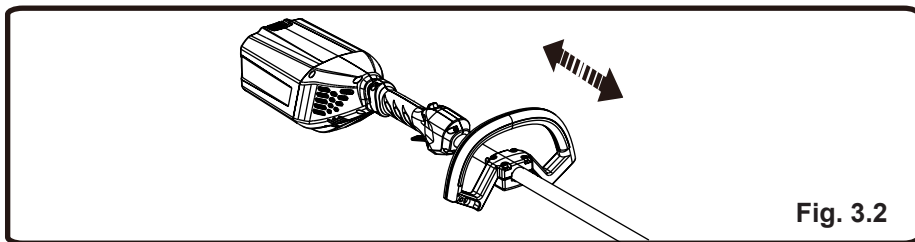
---

## ATTACHING THE AUXILIARY HANDLE (See Figure 3.)

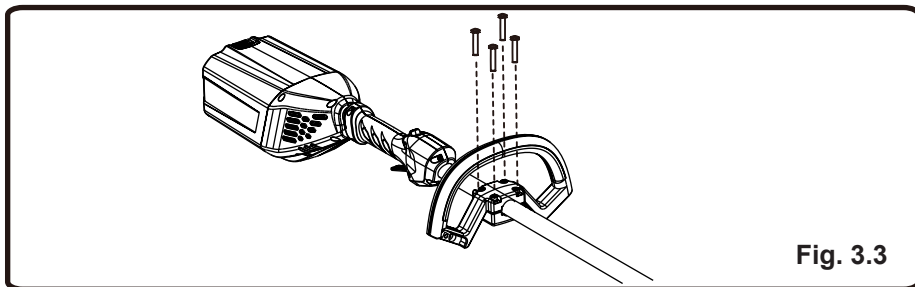
1. Loosen the four screws (1) in the handle with a philips screwdriver (not included) and remove the screws from the handle.



2. Attach the auxiliary handle (2) and lower clamp (3) on the shaft.
3. Adjust handle up or down to desired operating position.



4. Insert and tighten the four screws so that the handle cannot be rotated on the shaft.



# OPERATION

---

## **⚠ WARNING**

Read and understand entire Operator's Manual for each optional attachment used on this power head and follow all warnings and instructions. Failure to follow all instructions may result in electric shock, fire and/or serious personal injury.

---

## **⚠ WARNING**

Do not allow familiarity with this product to make you careless. Remember that a careless fraction of a second is sufficient to inflict serious injury.

---

## **⚠ WARNING**

Do not use any attachments or accessories not recommended by the manufacturer of this product. The use of attachments or accessories not recommended can result in serious personal injury.

---

## **APPLICATIONS**

You may use this product for the purpose listed below:

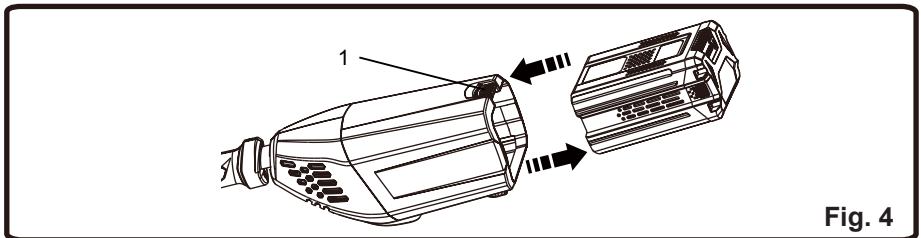
- Edging around walkways, curbs, flower beds and other similar areas.

## **INSTALLING THE BATTERY PACK (See Figure 4.)**

- Insert battery pack into tool until an audible click is heard, and the battery is set securely within the tool.

## **REMOVING THE BATTERY PACK (See Figure 4.)**

- Depress the battery release button (1) on the tool and pull the battery pack out.



# OPERATION

---

## STARTING AND STOPPING THE EDGER (See Figure 5.)

- Ensure a fully charged battery is installed into the edger.
- To start the edger, press and hold the safety lock button (1) and squeeze the trigger (2).
- To stop the edger, release trigger.

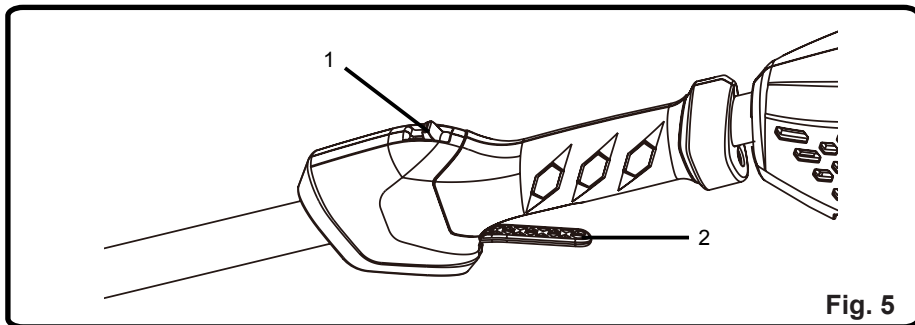


Fig. 5

## ADJUSTING DEPTH OF CUT (See Figure 6.)

- Remove the battery pack.
- Loosen the depth adjustment knob to increase or decrease the depth.
- Adjust the depth so that the blade barely touches the ground when the machine is held in a normal operating posture.
- Tighten the depth adjustment knob.
- Standing in a normal working position, check the depth of cut again and correct if necessary.
- Replace the battery pack once all adjustments are complete.

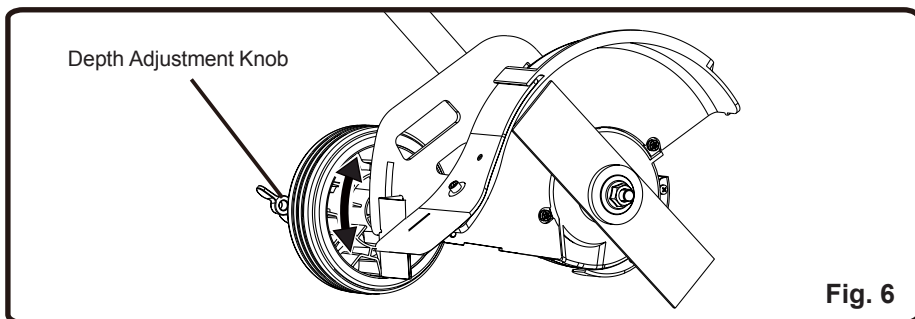


Fig. 6

# OPERATION

---

## REPLACING THE BLADE (See Figure 7.)

If the blade worn out, replace it with a new one (not provided) produced by Greenworks.

- Remove the battery pack.
- Use a metal rod (1) (provided) to fix the blade.
- Remove the screw (2) clockwise with the wrench provided.
- Remove the washer (3).
- Remove the old blade and replace it with a new one.
- Place the washer (3) on the blade.
- Place the screw on the washer and tighten it unclockwise with the wrench provided.

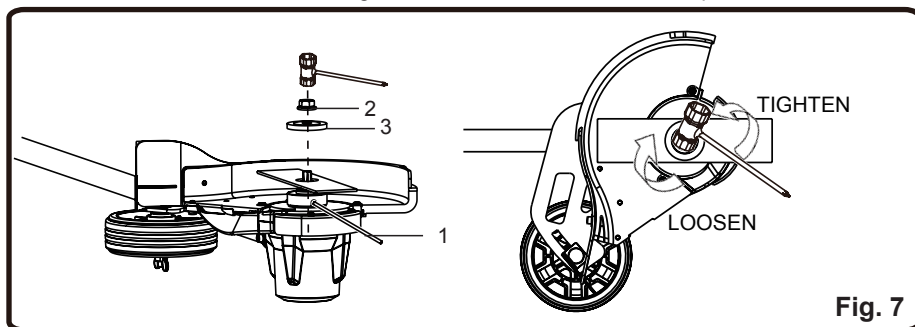


Fig. 7

## OPERATING THE EDGER

### **⚠ WARNING**

Always hold the edger away from the body keeping clearance between your body and the edger. Any contact with the edger cutting head while operating can result in serious personal injury.

- Hold the edger with your right hand on the rear handle and your left hand on the front handle.
- Keep a firm grip with both hands while in operation.
- Edger should be held at a comfortable position with the rear handle about hip height.
- The edger will edge along sidewalks, driveways, flower beds, curbs, and similar areas.
- Cut at a steady pace. If the blade begins to bog down, you are edging too fast; slow your pace. Do not force the blade into ground.
- Light contact of the blade against the sidewalk edge, curb, etc., is acceptable and will not damage the edger.
- Best appearance is obtained when grass is dry. Avoid edging in wet soil or wet grass areas or the blade guard might clog and result in an uneven edge. If the blade guard becomes clogged, stop the edger, remove the battery, and remove debris from the blade guard.

# MAINTENANCE

---

## GENERAL MAINTENANCE

Avoid using solvents when cleaning plastic parts. Most plastics are susceptible to damage from various types of commercial solvents and may be damaged by their use. Use clean cloths to remove dirt, dust, lubricant, grease, etc.

Always store the machine clean and in a dry enclosure with the battery charged.

Maintenance task	Each time the machine is used	Every two hours	Each week	After use	Every year or when required
Visual check of the tool's safety systems (distancing device, carrying eye, safety casing)	X			X	
Check the trigger safety system functions	X				
Check the sharpness of blades and sharpen if necessary	X	X			X
Visual check of the tool (no cracks or deformation)	X	X			X
Check the battery level	X				
Inspection of the tool by an approved Greenworks dealer					X

# ENVIRONMENTALLY SAFE BATTERY DISPOSAL

---

The following toxic and corrosive materials are in the batteries used in this edger battery pack:  
**Lithium-Ion, a toxic material.**



---

## **⚠ WARNING**

All toxic materials must be disposed of in a specified manner to prevent contamination of the environment. Before disposing of damaged or worn out Lithium-Ion battery packs, contact your local waste disposal agency, or the local Environmental Protection Agency for information and specific instructions. Take the batteries to a local recycling and/or disposal centre, certified for lithium-ion disposal.

---

---

## **⚠ WARNING**

If the battery pack cracks or breaks, with or without leaks, do not recharge it and do not use. Dispose of it and replace with a new battery pack. **DO NOT ATTEMPT TO REPAIR IT!** To avoid injury and risk of fire, explosion, or electric shock, and to avoid damage to the environment:

- Cover the battery's terminals with heavy-duty adhesive tape.
  - DO NOT attempt to remove or destroy any of the battery pack components.
  - DO NOT attempt to open the battery pack.
  - If a leak develops, the released electrolytes are corrosive and toxic. DO NOT get the solution in the eyes or on skin, and do not swallow it.
  - DO NOT place these batteries in your regular household trash.
  - DO NOT incinerate.
  - DO NOT place them where they will become part of any waste landfill or municipal solid waste stream.
  - Take them to a certified recycling or disposal centre.
-



# TROUBLESHOOTING

---

<b>Problem</b>	<b>Cause</b>	<b>Solution</b>
Motor fails to start when switch trigger is depressed.	1. Battery is not secure.	1. To secure the battery pack, make sure the latch (or latches) snap into place.
	2. Battery is not charged.	2. Charge the battery pack according to the instructions included with your model.

# LIMITED WARRANTY

---



GREENWORKS™ hereby warranties this product, to the original purchaser with **proof of purchase**, 2 year commercial power train warranty, 2 year commercial battery warranty against defects in materials, parts or workmanship. GREENWORKS™, at its own discretion will repair or replace any and all parts found to be defective, through normal use, free of charge to the customer. This warranty is valid only for units which have been used for personal use that have not been hired or rented and that have been maintained in accordance with the instructions in the owners' manual supplied with the product from new.

## **2 Year Limited Power Train Warranty Coverage:**

- Motor
- Gear Box
- 2 years from the date of purchase (non transferable)

## **2 Year Limited Battery Warranty Coverage:**

- Greenworks Commercial Battery Packs (GL 200, GL 250, GL 300, GL 400, GL 500, GL 900)
- 2 year from the date of purchase (non transferable)

## **60 Day Limited Wearable Parts Warranty Coverage:**

- Blades
- Guards
- 60 Days from date of purchase (non transferable)

## **Warranty Exclusions, Limitations and Rights:**

1. All warranties may not be transferred by the consumer to any subsequent purchaser.
2. Parts or components not supplied by the warrantor, or parts or components that have been modified.
3. Any failure resulting from the use of improper tools or improper repair procedures.
4. Any failure or part that has become inoperative due to accident, impact, abuse, misuse, neglect, mishandling, dulling of cutting edges, or failure to operate the product in accordance with the information provided in the instruction manual supplied with the product.
5. Normal deterioration of the exterior due to use or exposure, and any repairs made

# LIMITED WARRANTY

---

necessary by normal wear, improper maintenance, improper lubrication, improper storage, dirt, abrasives, impact, moisture, water, rain, snow, rust, corrosion, varnish, or other similar conditions.

6. Routine maintenance items such as lubricants, blade sharpening.
7. The unit, if it has not been operated and/or maintained in accordance with the owner's manual.
8. Improper voltage for electric products and batteries that have been exposed to temperatures beyond those specified in the product's instruction manual, batteries that have not been properly charged or batteries that have reached their useful life.

## **GREENWORKS HELPLINE:**

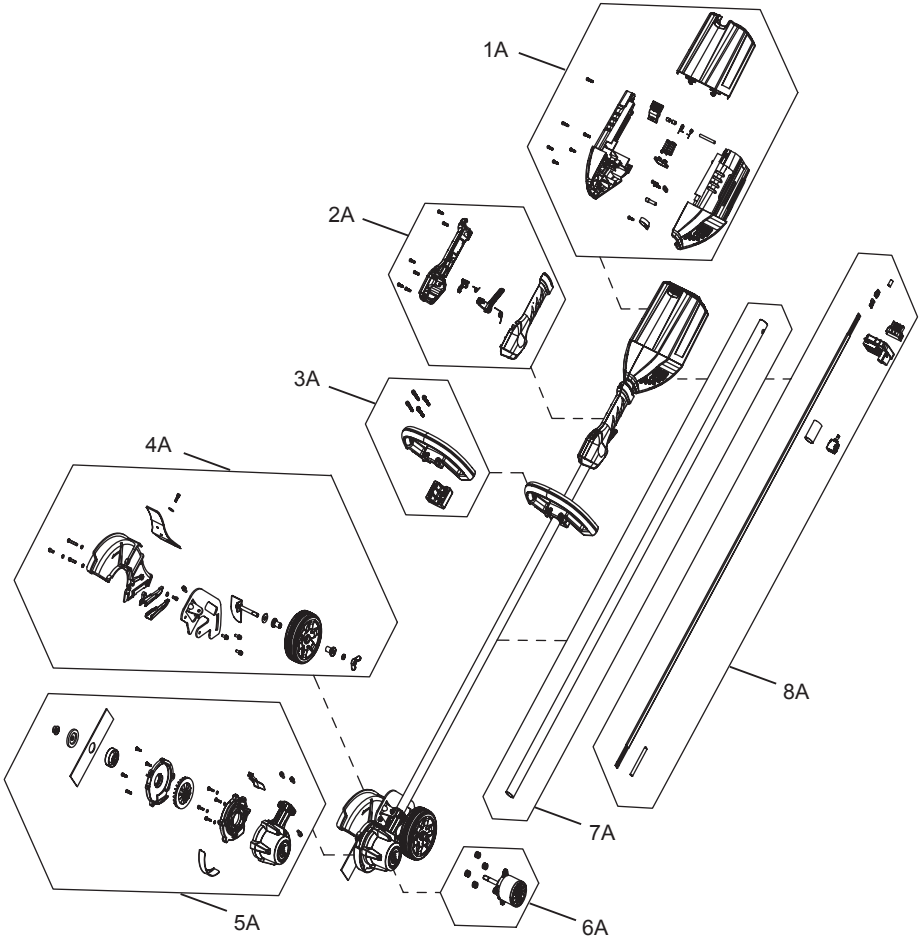
Warranty service is available by calling our toll-free helpline, at **1-855-470-4267**.

## **TRANSPORTATION CHARGES:**

Transportation charges for the movement of any power equipment unit or attachment are the responsibility of the purchaser. It is the purchaser's responsibility to pay transportation charges for any part submitted for replacement under this warranty unless such return is requested in writing by **GREENWORKS**.

# EXPLODED VIEW

---



# PARTS LIST

---

<b>Item No.</b>	<b>Part No.</b>	<b>QTY</b>	<b>Description</b>
1A	311041782	1	KIT, BATTERY PACK HOUSING
2A	311031782	1	KIT, HANDLE
3A	311161418B	1	KIT, AUXILARY HANDLE
4A	311081782	1	KIT, GUARD
5A	311071782	1	KIT, MOTOR HOUSING
6A	361011782	1	KIT, MOTOR
7A	311051782	1	KIT, SHAFT
8A	311001782	1	KIT, ELECTRONIC

# **GREENWORKS**

---

## **COMMERCIAL**

**Greenworks Tools  
PO Box 1238  
 Mooresville, NC 28115**

**TOLL-FREE HELPLINE: 1-855-470-4267**

Rev: 01 (01-17-18)