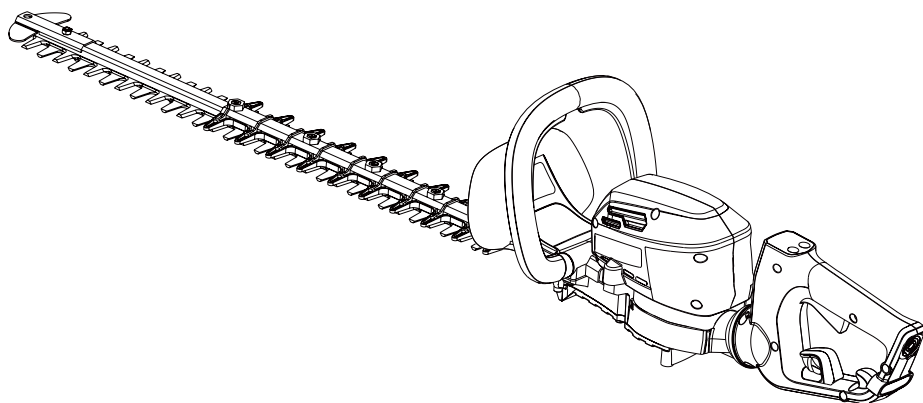

GREENWORKS

COMMERCIAL

82V CORDLESS HEDGE TRIMMER
GHD 260



Owner's Manual

TOLL-FREE HELPLINE: 1-855-470-4267

www.GreenWorksTools.com



US
218549

 Read all safety rules and instructions carefully before operating this tool.

CONTENTS

Contents	2
Specifications	2
Important Safety Instructions	3
Symbols	6
Know Your Hedge Trimmer	8
Assembly	9
Operation	10
Maintenance	12
Environmentally Safe Battery Disposal	13
Troubleshooting	14
Limited Warranty	16
Exploded View	17
Parts List	19

SPECIFICATIONS

82V 26" CORDLESS HEDGE TRIMMER

Type	Cordless, battery-operated
Motor	82V Brushed
Blade Length	26" (66 cm)
Cutting Capacity	3/4" (19 mm)
Reciprocating Speed	3200 (±10%) SPM
Weight (Without Battery)	9.7 lbs. (4.4 kg)

IMPORTANT SAFETY INSTRUCTIONS

⚠ W A R N I N G

Read all safety warnings and all instructions. Failure to follow the warnings and instructions may result in electric shock, fire, and/or serious injuries.

Save all warnings and instructions for future reference.

The term “power tool” in all of the warnings listed below refers to your mains-operated (corded) power tool or battery-operated (cordless) power tool.

1. WORK AREA SAFETY

A. Keep work area clean and well lit. Cluttered or dark areas invite accidents.

B. Do not operate power tools in explosive atmospheres, such as in the presence of flammable liquids, gases or dust. Power tools create sparks which may ignite the dust or fumes.

C. Keep children and bystanders away while operating a power tool. Distractions can cause you to lose control.

2. ELECTRICAL SAFETY

A. A battery-operated tool with integral batteries or a separate battery pack must be recharged only with the specified charger for the battery. A charger that may be suitable for one type of battery may create a risk of fire when used with another battery.

B. Avoid body contact with earthed or grounded surfaces such as pipes, radiators, ranges and refrigerators. There is an increased risk of electric shock if your body is earthed or grounded.

C. Do not expose power tools to rain or wet conditions. Water entering a power tool will increase the risk of electric shock.

D. Use a battery-operated tool only with specified battery pack. Use of any other batteries may create a risk of fire.

E. If operating a power tool in a damp location is unavoidable, use a residual current device (RCD) protected supply. Use of an RCD reduces the risk of electric shock.

3. PERSONAL SAFETY

A. Stay alert, watch what you are doing and use common sense when operating a power tool. Do not use a power tool while you are tired or under the influence of drugs, alcohol or medication. A moment of inattention while operating power tools may result in serious personal injury.

B. Use personal protective equipment. Always wear eye protection. Protective equipment such as dust mask, non-skid safety shoes, hard hat, or hearing protection used for appropriate conditions will reduce personal injuries.

C. Prevent unintentional starting. Ensure the switch is in the off-position before connecting to power source and/or battery pack, picking up or carrying the tool. Carrying power tools with your finger on the switch or energising power tools that have the switch on invites accidents.

D. Remove any adjusting key or wrench before turning the power tool on. A wrench or a key left attached to a rotating part of the power tool may result in personal injury.

E. Do not overreach. Keep proper footing and balance at all times. This enables better control of the power tool in unexpected situations.

IMPORTANT SAFETY INSTRUCTIONS

F. Dress properly. Do not wear loose clothing or jewelry. Keep your hair, clothing and gloves away from moving parts. Loose clothes, jewelry, or long hair can be caught in moving parts.

G. If devices are provided for the connection of dust extraction and collection facilities, ensure these are connected and properly used. Use of these devices can reduce dust-related hazards.

4. POWER TOOL USE AND CARE

A. Do not force the power tool. Use the correct power tool for your application. The correct power tool will do the job better and safer at the rate for which it was designed.

B. Do not use the power tool if the switch does not turn it on and off. Any power tool that cannot be controlled with the switch is dangerous and must be repaired.

C. Disconnect the battery pack from the power tool before making any adjustments, changing accessories, or storing power tools. Such preventive safety measures reduce the risk of starting the power tool accidentally.

D. Store idle power tools out of the reach of children and do not allow persons unfamiliar with the power tool or these instructions to operate the power tool. Power tools are dangerous in the hands of untrained users.

E. Maintain power tools. Check for misalignment or binding of moving parts, breakage of parts and any other condition that may affect the power tools operation. If damaged, have the power tool repaired before use. Many accidents are caused by poorly maintained power tools.

F. Keep cutting tools sharp and clean. Properly maintained cutting tools with sharp cutting edges are less likely to bind and are easier to control.

G. Use the power tool, accessories and tool bits etc., in accordance with these instructions, taking into account the working conditions and the work to be performed. Use of the power tool for operations different from those intended could result in a hazardous situation.

5. BATTERY TOOL USE AND CARE

A. Ensure the switch is in the off position before inserting battery pack. Inserting the battery pack into power tools that have the switch on invites accidents.

B. Recharge only with the charger specified by the manufacturer. A charger that is suitable for one type of battery pack may create a risk of fire when used with another battery pack.

C. Use power tools only with specifically designated battery packs. Use of any other battery packs may create a risk of injury and fire.

D. When battery pack is not in use, keep it away from other metal objects, like paper clips, coins, keys, nails, screws, or other small metal objects that can make a connection from one terminal to another. Shorting the battery terminals together may cause burns or a fire.

E. Under abusive conditions, liquid may be ejected from the battery; avoid contact. If contact accidentally occurs, flush with water. If liquid contacts eyes, additionally seek medical help. Liquid ejected from the battery may cause irritation or burns.

F. Use only 82 V Greenworks batteries: 2914407/ 2914907/ 2915107/ 2914507/ 2914607.

G. Use only 82 V Greenworks chargers: 2914707.

IMPORTANT SAFETY INSTRUCTIONS

6. SERVICE

A. Have your power tool serviced by a qualified repair person using only identical replacement parts. This will ensure that the safety of the power tool is maintained.

HEDGE TRIMMER SAFETY WARNINGS

- **Use both hands when operating the hedge trimmer. Using one hand could cause loss of control and result in serious personal injury.**
- **Keep all parts of the body away from the cutter blade. Do not remove cut material or hold material to be cut when blades are moving. Make sure the switch is off when clearing jammed material. Blades coast after turn off.** A moment of inattention while operating the hedge trimmer may result in serious personal injury.
- **Carry the hedge trimmer by the handle with the cutter blade stopped.** Proper handling of the hedge trimmer will reduce possible personal injury from the cutter blades.
- **Hold the power tool by insulated gripping surfaces only, because the cutter blade may contact hidden wiring.** Cutter blades contacting a “live” wire may make exposed metal parts of the power tool “live” and could give the operator an electric shock.
- **DANGER – Keep hands away from blade.** Contact with blade will result in serious personal injury.
- **Keep cable away from cutting area.** During operation the cable may be hidden in shrubs and can be accidentally cut by the blade.
- **Always store idle power tools indoors.** When not in use, power tools should be stored indoors in a dry place, out of reach of children.

⚠ WARNING

Only use with handle and guard properly assembled to hedge trimmer. The use of the hedge trimmer without the proper guard or handle provided may result in serious personal injury.

⚠ WARNING (PROPOSITION 65)

Using this product will expose you to a chemical known to the State of California to cause cancer. Using this product will expose you to a chemical known to the State of California to cause birth defects or other reproductive harm.

Some dust created by power sanding, sawing, grinding, drilling, and other construction activities contains chemicals known to cause cancer, birth defects or other reproductive harm. Some examples of these chemicals are:


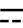








- Lead from lead-based paints
- Crystalline silica from bricks and cement and other masonry products, and
- Arsenic and chromium from chemically treated lumber.

Your risk of exposure to these chemicals varies depending on how often you do this type of work. To reduce your exposure to these chemicals, work in a well-ventilated area, and work with approved safety equipment, such as dust masks that are specially designed to filter out microscopic particles.

SAVE THESE INSTRUCTIONS




SYMBOLS

Some of the following symbols may be used on this product. Please study them and learn their meaning. Proper interpretation of these symbols will allow you to operate the product better and safer.

SYMBOL	NAME	DESIGNATION/EXPLANATION
V	Volts	Voltage
A	Amperes	Current
Hz	Hertz	Frequency (cycles per second)
W	Watt	Power
min	Minutes	Time
	Alternating Current	Type of current
	Direct Current	Type or a characteristic of current
	Wet Conditions Alert	Do not expose to rain or use in damp locations.
	Read The Operator's Manual	To reduce the risk of injury user must read and understand operator's manual before using this product.
	Safety Alert	Precautions that involve your safety.
	Keep Bystanders Away	Keep all bystanders at least 50 ft. away.
	Eye Protection	Always wear eye protection with side shields marked to comply with ANSI Z87.1 when operating this equipment.
	Ricochet	Thrown objects can ricochet and result in personal injury or property damage.
	Sharp Blade	Keep hands away from sharp, moving blades.
	Gloves	Wear non-slip, heavy duty gloves.

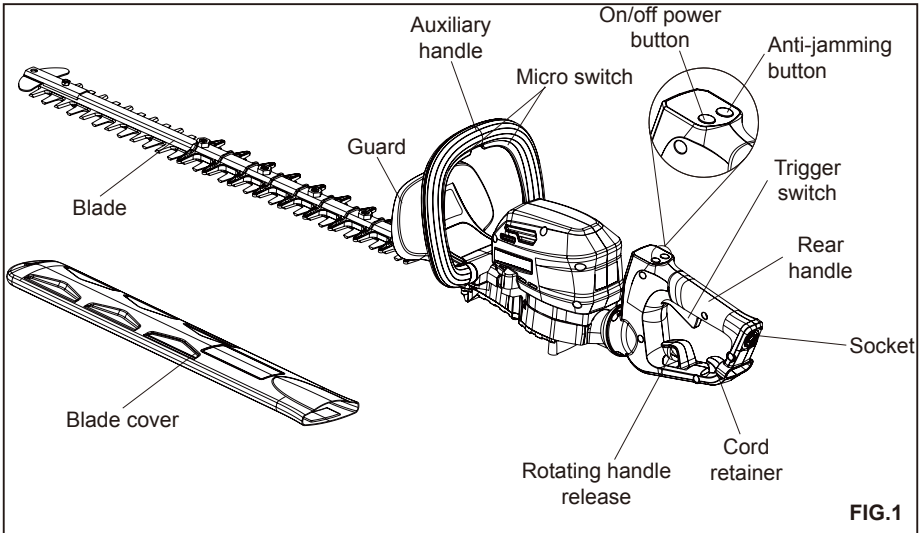
SYMBOLS

The following signal words and meanings are intended to explain the levels of risk associated with this product.

SYMBOL	SIGNAL	MEANING
	DANGER	Indicates an imminently hazardous situation, which, if not avoided, will result in death or serious injury.
	WARNING	Indicates a potentially hazardous situation, which, if not avoided, could result in death or serious injury.
	CAUTION	Indicates a potentially hazardous situation, which, if not avoided, may result in minor or moderate injury.
	CAUTION	(Without Safety Alert Symbol) Indicates a situation that may result in property damage.

SAVE THESE INSTRUCTIONS

KNOW YOUR HEDGE TRIMMER



KNOW YOUR HEDGE TRIMMER (See Figure 1.)

The safe use of this product requires an understanding of the information on the product and in this operator's manual as well as a knowledge of the project you are attempting. Before use of this product, familiarize yourself with all operating features and safety rules.

GUARD

The guard helps deflect chips or other debris away from the operator's hands and eyes and prevents operator's hands from accidentally coming in contact with the blade assembly.

BLADE

Dual action steel blades for cutting hedges and shrubs.

AUXILIARY HANDLE

For easy control of the tool during cutting.

TRIGGER SWITCH

The trigger switch (located beneath the rear handle) and the safety lock button (located behind the auxiliary handle) must be depressed simultaneously to allow blade rotation.

ROTATING HANDLE RELEASE

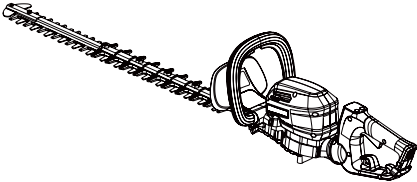

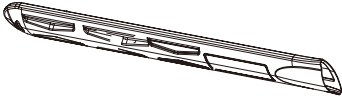
The handle of your hedge trimmer rotates 90 degrees to the left or right for controlled and precision trimming.

ASSEMBLY

UNPACKING

- This product requires no assembly.
- Carefully remove the product and any accessories from the box. Make sure that all items listed in the packing list are included.
- Inspect the product carefully to make sure no breakage or damage occurred during shipping.
- Do not discard the packing material until you have carefully inspected and satisfactorily operated the product.
- If any parts are damaged or missing, please call **1-855-470-4267** for assistance.

PACKING LIST

Part Name	Figure	Qty
Cordless hedge trimmer		1
Operator's manual		1
Scabbard		1

▲ WARNING

To avoid personal injury:

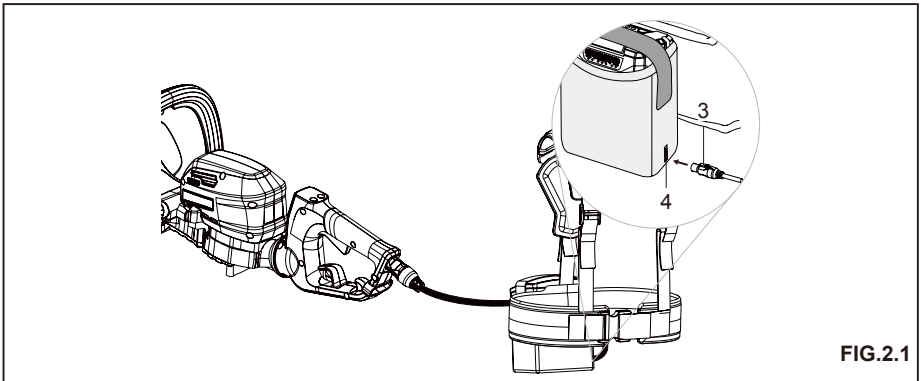
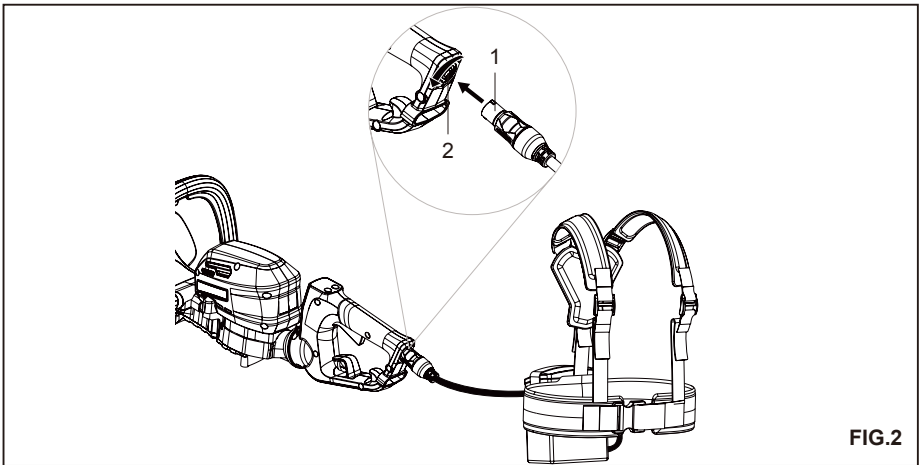
- Handle the blade with care.
 - Do not place your fingers or hand between the notches in the blade or in any position where they could get pinched or cut.
 - Never service the blade or hedge trimmer unless the battery pack is removed.
 - Do not use if the blade assembly is damaged or bent. Take to a qualified person to straighten, replace, or sharpen.
 - Always keep both hands on the hedge trimmer handles to prevent your hand from touching the blade.
-

OPERATION

CONNECTING THE BATTERY TO THE HEDGE TRIMMER (See Figure 2.)

IMPORTANT! The battery pack is not charged when it is purchased. Before using the hedger for the first time, place the battery pack on the battery charger and charge. Make sure to read all safety precautions, and follow the instructions in the Battery Charger section.

1. Insert the plug (1) of one side of the cable into the socket (2) in the hedge trimmer – line up the lugs on the plug with the slots in the socket.
2. Push the plug into the socket until it stops, then turn it clockwise until the plug's latch engages audibly.
3. Insert the plug (3) of the other side of the cable into the socket (4) in the backpack battery – line up the lugs on the plug with the slots in the socket.
4. Push the plug into the socket until it stops, then turn it clockwise until the plug's latch engages audibly.



OPERATION

IMPORTANT! DO NOT remove the blade assembly unless it needs sharpening, straightening, or replacing. Take it to a person for repair.

⚠ WARNING

Follow these instructions in order to avoid injury and to reduce the risk of electric shock or fire:

- Replace the battery pack or the charger immediately if the battery case or charger cord is damaged.
 - Verify that the switch is in the OFF position before inserting or removing the battery pack.
 - Verify that the battery pack is removed and the switch is in the OFF position before inspecting, adjusting, or performing maintenance on any part of the hedge trimmer.
 - Read, understand, and follow the instructions contained in the section entitled Charging Procedure.
-

STARTING THE HEDGE TRIMMER (See Figure 3.)

This hedge trimmer is equipped with a trigger switch and a safety lock button used together to prevent accidental start-ups or injury.

1. Remove the blade cover.
2. Connect the battery to the hedge trimmer.
3. Press the power button (I/O) (1) to turn the unit on.
4. For added safety, there is a micro switch (2) in the front handle. When operating, hold the trimmer with both hands, one hand to squeeze the micro switch, and the other hand to squeeze the trigger switch (3).

IMPORTANT: If the hedge trimmer is accidentally dropped, the hedge trimmer will turn OFF and the blade will coast to a stop after several seconds. The hedge trimmer will then be locked OFF again.

STOPPING THE HEDGE TRIMMER (See Figure 3.)

1. Release the micro switch (2) and trigger switch (3) to stop the hedge trimmer.
2. Press the power button (1) to turn off the hedge trimmer.
3. Remove battery pack from the hedge trimmer.

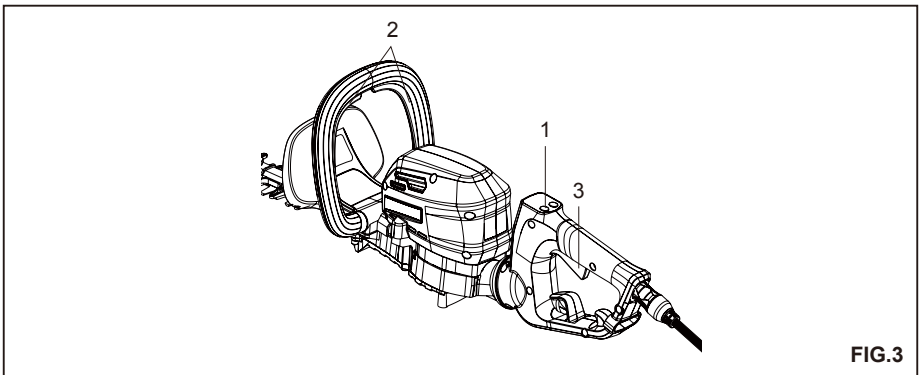


FIG.3

OPERATION

USING THE ROTATING REAR HANDLE (See Figure 4.)

1. Place the hedge trimmer on a flat and even surface.
2. Make sure that you released the trigger switch.
3. Pull the rotation lever (1) and begin turning the rear handle. Release the rotation lever and turn the handle 90 degrees to either side until it clicks into place and the lever locks in.
4. To turn the handle back to center, pull the rotation lever again, turn the handle slightly, release the rotation lever and continue turning the handle until it locks into place.

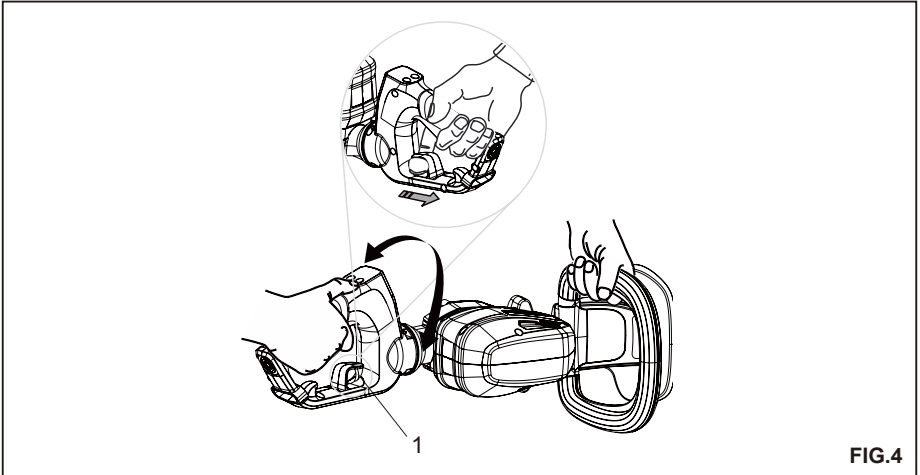


FIG.4

ANTI-JAMMING FUNCTION (See Figure 5.)

1. If a branch is lodged in the blade, press the anti-jamming button (1) on the control panel, the blade will reverse twice, and the branch should be released.

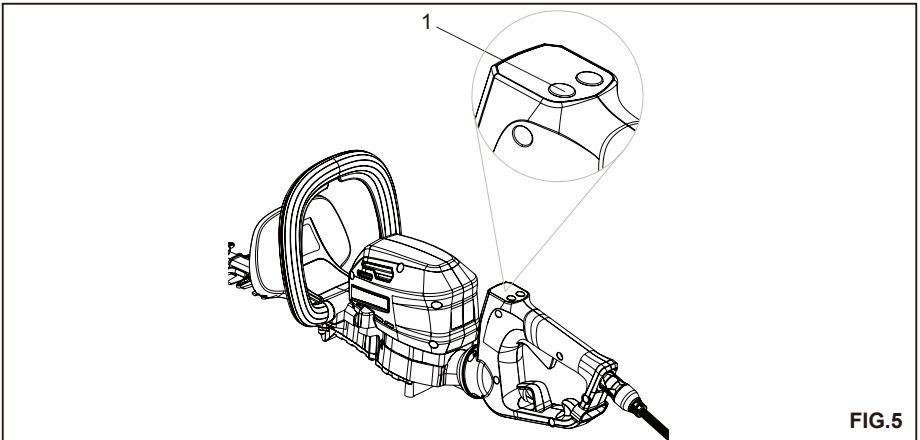


FIG.5

MAINTENANCE

⚠ W A R N I N G

To avoid risk of fire, electric shock, or electrocution:

- Do not use a damp cloth or detergent on the battery or battery charger.
 - Always remove the battery pack before cleaning, inspecting, or performing any maintenance on the hedge trimmer.
-

Cleaning

- Wipe the outside of the hedge trimmer with a dry, soft cloth. Do not hose down or wash with water.
- Scrape the guard to remove dried clippings and mud.
- Brush or blow dust, debris, and grass clippings out of the air vents. Keep them free of obstruction.

Battery Pack

- Store the battery pack fully charged.
- Once the charging light turns green, remove the battery from the charger.
- Do not store the battery pack on the tool.
- After charging, the battery pack may be stored in the charger, as long as the charger is not plugged in.

Charger Maintenance

- Keep the charger clean and clear of debris. Do not allow foreign material to get into the recessed cavity or onto the contacts. Wipe the charger clean with a dry cloth. Do not use solvents or water, and do not place the charger in wet conditions.
- Unplug the charger when there is no battery pack in it.
- Fully charge the batteries before placing them in storage.
- Store the charger at normal room temperature. Do not store it in excessive heat. Do not use the charger in direct sunlight. Recharge at room temperature between 43°F and 104°F (6°C and 40°C). If the battery pack is hot, allow it to cool down before recharging.

ENVIRONMENTALLY SAFE BATTERY DISPOSAL

The following toxic and corrosive materials are in the batteries used in this hedge trimmer battery pack: **Lithium-Ion, a toxic material.**



⚠ WARNING

All toxic materials must be disposed of in a specified manner to prevent contamination of the environment. Before disposing of damaged or worn out Lithium-Ion battery packs, contact your local waste disposal agency, or the local Environmental Protection Agency for information and specific instructions. Take the batteries to a local recycling and/or disposal centre, certified for lithium-ion disposal.

⚠ WARNING

If the battery pack cracks or breaks, with or without leaks, do not recharge it and do not use. Dispose of it and replace with a new battery pack. **DO NOT ATTEMPT TO REPAIR IT!**

To avoid injury and risk of explosion, or electric shock, and to avoid damage to the environment:

- Cover the battery's terminals with heavy-duty adhesive tape.
 - DO NOT attempt to remove or destroy any of the battery pack components.
 - DO NOT attempt to open the battery pack.
 - If a leak develops, the released electrolytes are corrosive and toxic. DO NOT get the solution in the eyes or on skin, and do not swallow it.
 - DO NOT place these batteries in your regular household trash.
 - DO NOT incinerate.
 - DO NOT place them where they will become part of any waste landfill or municipal solid waste stream.
 - Take them to a certified recycling or disposal centre.
-

TROUBLESHOOTING

PROBLEM	POSSIBLE CAUSE	SOLUTION
Motor fails to start when switch trigger is depressed.	Battery is not secure.	To secure the battery pack, make sure the latches on the top of the battery pack snap into place.
	Battery is not charged.	Charge the battery pack according to the instructions included with your model.
Motor runs, but cutting blades do not move.	Hedger damaged. Do not use hedge trimmer.	Call for technical service.
Hedge trimmer smokes during operation.	Hedger damaged. Do not use hedge trimmer.	Call for technical service.
Motor hums, blades do not move.	Debris or other may be jamming the blades.	Remove battery, clear debris blockage from blades.

LIMITED WARRANTY



GREENWORKS™ hereby warrants this product, to the original purchaser with **proof of purchase**, for a period of four (4) years against defects in materials, parts or workmanship. GREENWORKS™, at its own discretion will repair or replace any and all parts found to be defective, through normal use, free of charge to the customer. This warranty is valid only for units which have been used for personal use that have not been hired or rented for industrial/commercial use, and that have been maintained in accordance with the instructions in the owners' manual supplied with the product from new.

ITEMS NOT COVERED BY WARRANTY:

1. Any part that has become inoperative due to misuse, commercial use, abuse, neglect, accident, improper maintenance, or alteration; or
2. The unit, if it has not been operated and/or maintained in accordance with the owner's manual; or
3. Normal wear, except as noted below;
4. Routine maintenance items such as lubricants, blade sharpening;
5. Normal deterioration of the exterior finish due to use or exposure.

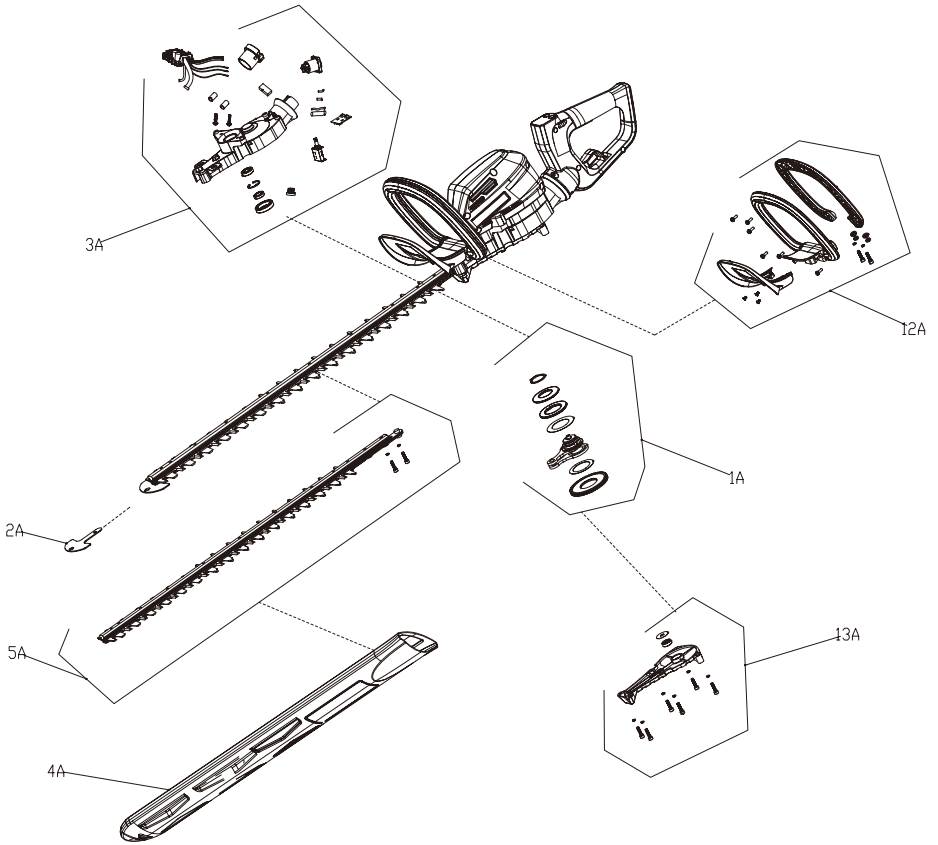
GREENWORKS HELPLINE (1-855-470-4267):

Warranty service is available by calling our toll-free helpline, at **1-855-470-4267**.

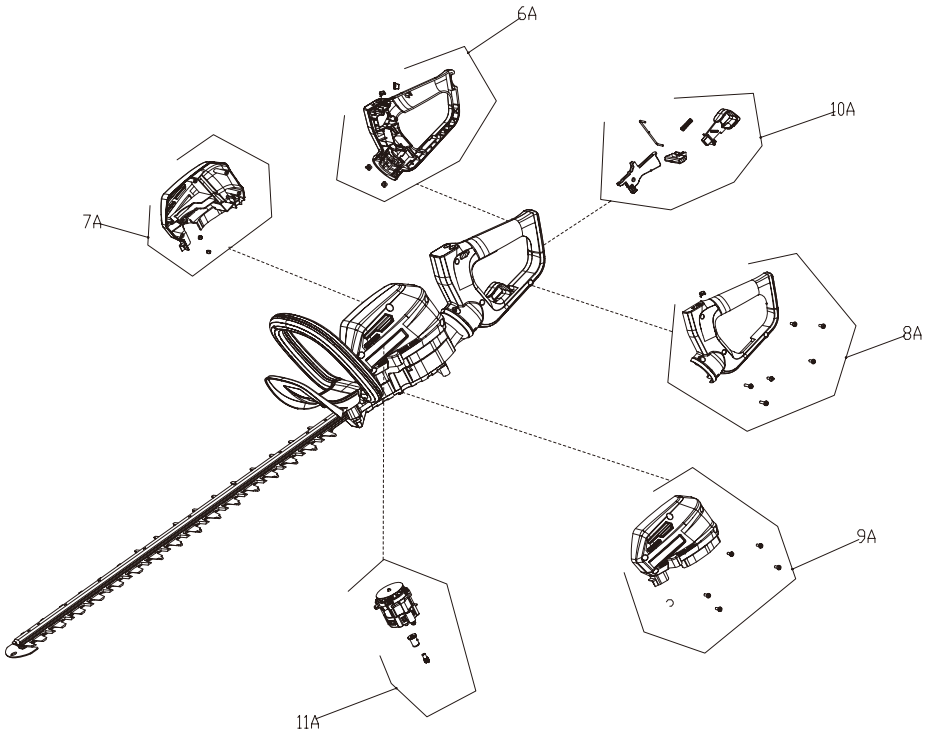
TRANSPORTATION CHARGES:

Transportation charges for the movement of any power equipment unit or attachment are the responsibility of the purchaser. It is the purchaser's responsibility to pay transportation charges for any part submitted for replacement under this warranty unless such return is requested in writing by **GREENWORKS**.

EXPLODED VIEW



EXPLODED VIEW



PARTS LIST

NO.	PART NO.	QTY	DESCRIPTION
1A	311003126	1	KIT, ECCENTRIC BLOCK ASSEMBLY
2A	311013126	1	KIT, TIP GUARD ASSEMBLY
3A	311023126	1	KIT, PCB ASSEMBLY
4A	311033126	1	KIT, SCABBARD
5A	311043126	1	KIT, BLADE ASSEMBLY
6A	311053126	1	KIT, RIGHT HANDLE ASSEMBLY
7A	311063126	1	KIT, RIGHT HOUSING ASSEMBLY
8A	311073126	1	KIT, LEFT HANDLE ASSEMBLY
9A	311083126	1	KIT, LEFT HOUSING ASSEMBLY
10A	311093126	1	KIT, TRIGGER SWITCH ASSEMBLY
11A	311103126	1	KIT, MOTOR ASSEMBLY
12A	311113126	1	KIT, AUXILIARY HANDLE ASSEMBLY
13A	311123126	1	KIT, GEAR BOX COVER ASSEMBLY

GREENWORKS

COMMERCIAL

**Greenworks Tools
PO Box 1238
 Mooresville, NC 28115**

TOLL-FREE HELPLINE: 1-855-470-4267

Rev: 00 (02-08-17)



Printed in China on 100% Recycled Paper