

# GREENWORKS

## COMMERCIAL

2801402

EN CULTIVATOR

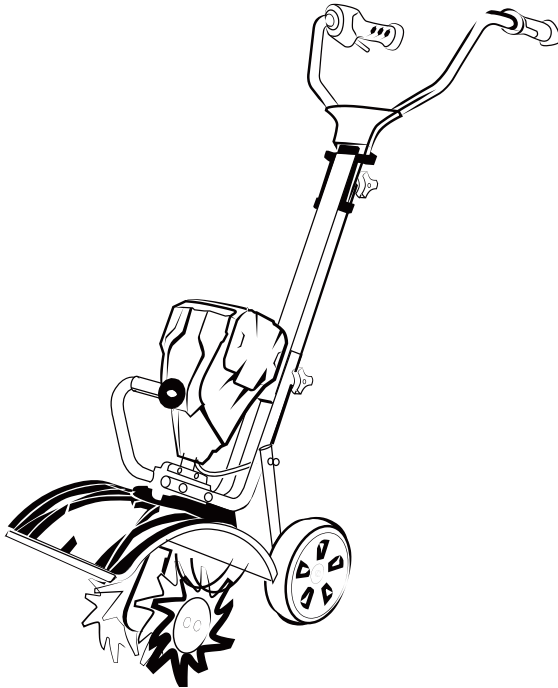
OPERATOR MANUAL

FR MOTOCULTEUR

MANUEL OPÉRATEUR

ES CULTIVADOR

MANUAL DEL OPERARIO



**GTL100**

[www.greenworkscommercial.com](http://www.greenworkscommercial.com)  
[www.shopgreenworksgear.com](http://www.shopgreenworksgear.com)



<b>1</b>	<b>Description.....</b>	<b>4</b>	8.1	Unpack the machine.....	6
1.1	Intended use.....	4	<b>9</b>	<b>Operation.....</b>	<b>8</b>
1.2	Overview.....	4	9.1	Start the machine.....	8
<b>2</b>	<b>General power tool safety</b>		9.2	Stop the machine.....	8
	<b>warnings.....</b>	<b>4</b>	9.3	Narrow cultivating width.....	9
2.1	Safety information.....	4	9.4	Operation tips.....	9
<b>3</b>	<b>Proposition 65.....</b>	<b>5</b>	<b>10</b>	<b>Maintenance.....</b>	<b>9</b>
<b>4</b>	<b>Child Safety.....</b>	<b>5</b>	10.1	Clean the machine.....	9
<b>5</b>	<b>Symbols on the product.....</b>	<b>5</b>	10.2	Lubricate the blade.....	9
<b>6</b>	<b>Risk levels.....</b>	<b>5</b>	<b>11</b>	<b>Store the machine.....</b>	<b>9</b>
<b>7</b>	<b>Environmentally safe battery</b>		<b>12</b>	<b>Troubleshooting.....</b>	<b>10</b>
	<b>disposal.....</b>	<b>6</b>	<b>13</b>	<b>Technical data.....</b>	<b>10</b>
<b>8</b>	<b>Installation.....</b>	<b>6</b>	<b>14</b>	<b>Limited warranty.....</b>	<b>10</b>

## 1 DESCRIPTION

### 1.1 INTENDED USE

The battery-powered cultivator is intended for loosening of soil in an open garden area. This product is not intended for commercial use. Do not use it for any task.

### 1.2 OVERVIEW

1	Left handle	9	Tine B
2	Right handle	10	Tine C
3	Wing nut	11	Tine D
4	Support rod	12	Hitch pin
5	Battery door	13	Felt
6	Wheel assembly	14	Safety lock button
7	Ring pin	15	Switch
8	Tine A		

## 2 GENERAL POWER TOOL SAFETY WARNINGS

### ▲ WARNING

Read all safety warnings and all instructions. Failure to follow the warnings and instructions may result in electric shock, fire and/or serious injury.

Save all warnings and instructions for future reference.

The term "power tool" in the warnings refers to your battery-operated (cordless) power tool.

### 2.1 SAFETY INFORMATION

- Use only identical manufacturer's replacement parts and accessories. Use of any other parts may create a hazard or cause product damage.
- Always wear safety glasses with side shields marked to comply with ANSI Z87.1. Everyday glasses have only impact resistant lenses. They are NOT safety glasses. Following this rule will reduce the risk of eye injury. Use face mask if operating in dusty work spaces.
- Avoid Dangerous Environment — Don't expose power tools to damp or wet conditions. Water entering a power tool will increase the risk of electric shock.
- Do not use in rain.
- Keep all bystanders, children, and pets at least 50 ft. away.
- Do not use the power tools for any job except that for which it is intended.
- Avoid Unintentional Starting – Do not carry machine with fingers on the switch. Be sure the battery is removed while transporting.
- Do not operate the equipment while barefoot or when wearing sandals or similar lightweight

footwear. Wear protective footwear that will protect your feet and improve your footing on slippery surfaces.

- Don't overreach - Keep proper footing and balance at all times.
- Stay alert - Watch what you are doing. Use common sense. Do not operate this unit when you are tired, ill or under the influence of alcohol, drugs or medication.
- Always store idle power tools indoors - When not in use, power tools should be stored indoors in a dry place, out of reach of children.
- Power tool maintenance – Replace tine if cracked, chipped, or damaged in any way. Be sure the tine is properly installed and securely fastened. Keep tine edge sharp and clean for best performance and to reduce the risk of injury. Follow instructions for lubricating and changing accessories. Keep handles dry, clean, and free from oil and grease. Failure to do so can cause serious injury.
- Check Damaged Parts – Before further use of the machine, a guard or other part that is damaged should be carefully checked to determine that it will operate properly and perform its intended function. Check for alignment of moving parts, binding of moving parts, breakage of parts, damaged mountings, and any other condition that may affect its operation. A guard or other part that is damaged should be properly repaired or replaced by an authorized service center unless indicated elsewhere in this manual.
- Do not charge or operate cordless tools in damp or wet locations or in the rain. Following this rule will reduce the risk of electric shock.
- Remove or disconnect battery before servicing, cleaning or removing material from the gardening machine.
- Do not dispose of the batteries in a fire. The cells may explode. Check with local codes for possible special disposal instructions.
- Do not open or mutilate the batteries. Released electrolyte is corrosive and may cause damage to the eyes or skin. It may be toxic if swallowed.
- Exercise care in handling batteries in order not to short the battery with conducting materials such as rings, bracelets, and keys. The battery or conductor may overheat and cause burns.
- Dress Properly – Do not wear loose clothing or jewelry. They can be caught in moving parts. Use of rubber gloves and substantial footwear is recommended when working outdoors. Wear protective hair covering to contain long hair.
- Do not add unnecessary force to your power tool – It will do the job better and with less likelihood of a risk of injury at the rate for which it was designed.
- Recharge only with the charger specified by the manufacturer. A charger that is suitable for one type

of battery pack may create a risk of fire when used with another battery pack.

- When battery pack is not in use, keep it away from other metal objects, like paper clips, coins, keys, nails, screws or other small metal objects, that can make a connection from one terminal to another. Shorting the battery terminals together may cause a fire.
- Under abusive conditions, liquid may be ejected from the battery; avoid contact. If contact accidentally occurs, flush with water. If liquid contacts eyes, additionally seek medical help. Liquid ejected from the battery may cause irritation or burns.
- Do not use a battery pack or machine that is damaged or modified. Damaged or modified batteries may exhibit unpredictable behavior resulting in fire, explosion or risk of injury.
- Do not expose a battery pack or power tools to fire or excessive temperature. Exposure to fire or temperature above 265°F (130°C) may cause explosion.

### 3 PROPOSITION 65

#### ▲ WARNING

This product contains a chemical known to the state of California to cause cancer, birth defects or other reproductive harm. Some dust created by power sanding, sawing, grinding, drilling, and other construction activities contains chemicals known to cause cancer, birth defects or other reproductive harm. Some examples of these chemicals are:

- Lead from lead-based paints;
- Crystalline silica from bricks and cement and other masonry products;
- Arsenic and chromium from chemically treated lumber.

Your risk of exposure to these chemicals varies depending on how often you do this type of work. To reduce your exposure to these chemicals, work in a well-ventilated area, and work with approved safety equipment, such as dust masks that are specially designed to filter out microscopic particles.

**Save these instructions.**

### 4 CHILD SAFETY

Tragic accidents can occur if the operator is not aware of the presence of children.









- Keep children out of the working area and under the watchful care of a responsible adult.
- Do not allow children under the age of 14 to operate this machine. Children who are 14 years of age and older must read and understand the operating

instructions and safety rules in this manual and must be trained and supervised by a parent.

- Stay alert, and turn the machine off if a child or any other person enters the working area.
- Use extreme care when approaching blind corners, doorways, shrubs, trees, or other objects that may obscure your view of a child who may run into the path of the machine.




### 5 SYMBOLS ON THE PRODUCT

Some of the following symbols may be used on this product. Please study them and learn their meaning. Proper interpretation of these symbols will allow you to operate the product better and safer.

Symbol	Explanation
V	Voltage
A	Current
Hz	Frequency (cycles per second)
	Do not expose the product to rain or moist conditions.
	Type or a characteristic of current
	Keep feet and hands away from rotating tines.
	Thrown objects can ricochet and result in personal injury or property damage. Wear protective clothing and boots.
	Precautions that involve your safety.
	Read and understand all instructions before operating the product, and follow all warnings and safety instructions.
	Wear eye and ear protection.
	Keep all bystanders at least 15m away.

### 6 RISK LEVELS

The following signal words and meanings are intended to explain the levels of risk associated with this product.

SYM-BOL	SIGNAL	MEANING
	DANGER	Indicates an imminently hazardous situation, which, if not avoided, will result in death or serious injury.
	WARNING	Indicates a potentially hazardous situation, which, if not avoided, could result in death or serious injury.
	CAUTION	Indicates a potentially hazardous situation, which, if not avoided, may result in minor or moderate injury.
	CAUTION	(Without Safety Alert Symbol) Indicates a situation that may result in property damage.

## 7 ENVIRONMENTALLY SAFE BATTERY DISPOSAL



The toxic and corrosive materials below are in the batteries used in this machine: **Lithium-Ion, a toxic material.**

### ▲ WARNING

Discard all toxic materials in a specified manner to prevent contamination of the environment. Before discarding damaged or worn out Li-ion battery, contact your local waste disposal agency, or the local Environmental Protection Agency for information and specific instructions. Take the batteries to a local recycling and/or disposal center, certified for lithium-ion disposal.

### ▲ WARNING

If the battery pack cracks or breaks, with or without leaks, do not recharge it and do not use. Discard it and replace with a new battery pack. **DO NOT TRY TO REPAIR IT!** To prevent injury and risk of fire, explosion, or electric shock, and to avoid damage to the environment:

- Cover the terminals of the battery with heavy-duty adhesive tape.
- **DO NOT** try to remove or destroy any of the battery pack components.
- **DO NOT** try to open the battery pack.
- If a leak develops, the released electrolytes are corrosive and toxic. **DO NOT** get the solution in the eyes or on skin, and do not swallow it.
- **DO NOT** put these batteries in your regular household trash.
- **DO NOT** incinerate.
- **DO NOT** put them where they will become part of any waste landfill or municipal solid waste stream.
- Take them to a certified recycling or disposal center.

## 8 INSTALLATION

### 8.1 UNPACK THE MACHINE

### ▲ WARNING

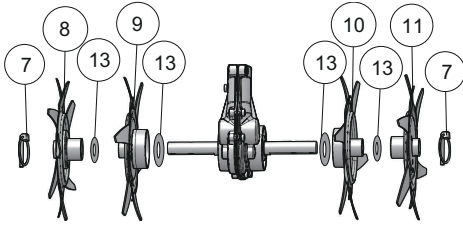
Make sure that you correctly assemble the machine before use.

### ▲ WARNING

- If the parts have damage, do not use the machine.
- If you do not have all the parts, do not operate the machine.
- If the parts are damaged or missing, speak to the service center.

1. Open the package.
2. Read the documentation in the box.
3. Remove all the unassembled parts from the box.
4. Remove the machine from the box.
5. Discard the box and package in compliance with local regulations.

### 8.1.1 INSTALL THE TINES



The cultivator has four tines —two inner tines stamped B and C and two outer tines stamped A and D. For correct operation of the unit, the tines must be installed in the correct orientation.

1. Place the large felt on each side of the tine shaft, and slide to rest against the inner tine.
2. Put the machine on a flat and smooth surface.
3. Place tine B on the tine shaft to the left of the gear box. The stamped side of the tine should face away from the gear box.
4. Place tine C on the tine shaft to the right of the gear box. The stamped side of the tine should face away from the gear box.
5. Place the small felt inserts on each side of the tine shaft, and slide to rest against the inner tine.
6. Place the outer tine stamped A on the left side of the tine shaft. The stamped side should face in toward tine B.
7. Place the outer tine stamped D on the right side of the tine shaft. The stamped side should face in toward tine C.
8. To secure the tines to the tine shaft, insert the ring pins into the holes located on either side of the tine shaft.

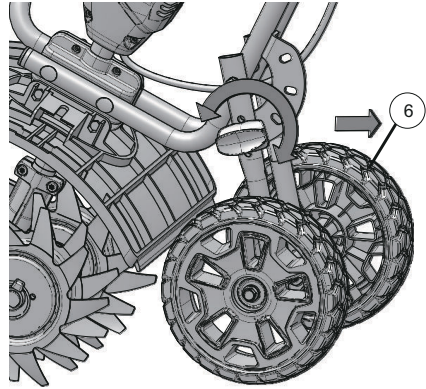
#### **i** NOTE

The unit will not operate properly if the tines are installed incorrectly. If you notice a problem with the cultivating operation of the unit, check for proper tine positioning.

#### **▲** WARNING

The tines and the machine may damage even if you move the machine with the motor switched off. To prevent the tines from touching the ground while moving please tilt the machine.

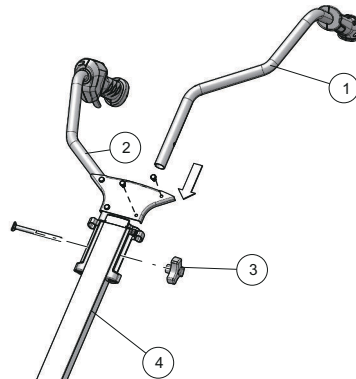
### 8.1.2 ADJUST THE WHEEL HEIGHT



The wheels are used to control the depth of operation. To adjust the height of the machine, move the wheel assembly into a higher or lower hole position.

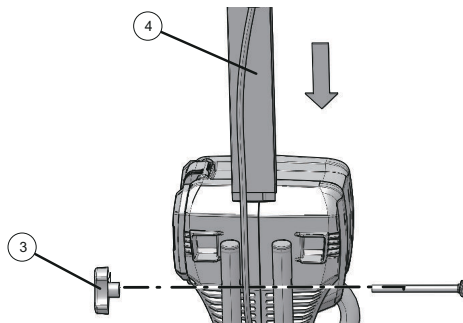
1. Pull and rotate the knob for 90°.
2. Move the wheel assembly to your desired hole.
3. Rotate the knob until the knob locks into place.

### 8.1.3 INSTALL THE HANDLE



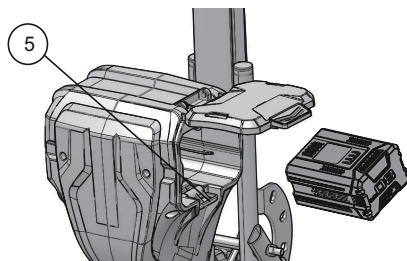
1. Insert the left handle into the support rod.
2. Align the holes in the panel with the holes in the left handle.
3. Insert the screws into the panel and use the phillips screwdriver to tighten them.
4. Insert the bolt through the top of the support rod.
5. Use the wing nut to tighten it.

### 8.1.4 INSTALL THE SUPPORT ROD



1. Insert the support rod into the machine.
2. Insert the bolt through the bottom of the support rod.
3. Use the wing nuts to tighten it.

### 8.1.5 INSTALL THE BATTERY PACK



#### ▲ WARNING

- If the battery pack or charger is damaged, replace the battery pack or the charger.
- Stop the machine and wait until the engine stops before you install or remove the battery pack.
- Read, know, and do the instructions in the battery and charger manual.

1. Align the lift ribs on the battery pack with the grooves in the battery compartment.
2. Push the battery pack into the battery compartment until the battery pack locks into place.
3. When you hear a click, the battery pack is installed.

### 8.1.6 REMOVE THE BATTERY PACK

1. Push and hold the battery release button.
2. Remove the battery pack from the machine.

## 9 OPERATION

- Do not put your fingers into the notches or in position where they can get cut.

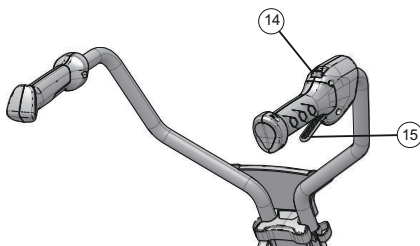
- Do not touch the blade unless you remove the battery pack.
- Do not use the machine if the blade is damaged or bent.
- Remove all objects such as cords, lights, wire, or string which can become entangled in the cutting blade and create a risk of personal injury.

#### ▲ WARNING

If the blade jams on an electrical cord or line, **DO NOT TOUCH THE BLADE! IT CAN BE LIVE AND DANGEROUS.** Do the steps below:

1. Hold the insulated rear handle or put the machine down and away from you.
2. Disconnect the electrically service to the damaged line or cord before you try to free the blade.

### 9.1 START THE MACHINE



1. Press and hold the safety lock button.
2. Press the switch while you hold the safety lock button.
3. Release the safety lock button.

#### ▲ WARNING

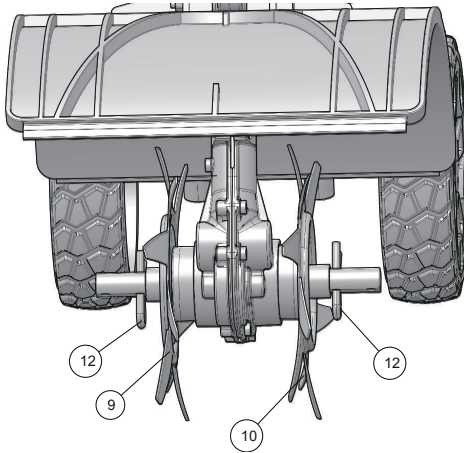
Hold the machine with hands during operation.

### 9.2 STOP THE MACHINE

1. Release the switch to stop the machine.



### 9.3 NARROW CULTIVATING WIDTH



The two outer tine blades can be removed from the unit to allow a more narrow cultivating width.

1. Remove the ring pins from the holes on the ends of the tine shaft.
2. Remove the outside tines and felts from the tine shaft.
3. Place hitch pins in the holes.

### 9.4 OPERATION TIPS

The cultivator can be used to break up garden soil and prepare a seedbed for planting. Plan ahead to leave enough room between the seed rows to allow for machine cultivating after the plants have grown.

1. Several passes over the same path may be required to reach the desired depth. Do not try to dig too deeply in the first pass.
2. If the machine jumps or bucks, allow the unit to move forward at a slightly faster rate or install wheel assembly.
3. If the cultivator stays and digs in at one spot, try rocking it from side to side in order to start it moving forward again.
4. If the soil is very hard, water a few days before cultivating. Avoid working the soil when soggy or wet. Wait a day or two after heavy rain for the ground to dry.
5. Shallow cultivating less than 5cm. deep can be used to disrupt weeds and aerate soil, without injuring nearby plant roots. It should be done often so that weeds do not grow large and cause tangling in the tines of the unit.

## 10 MAINTENANCE

### ▲ CAUTION

Do not let brake fluids, gasoline, petroleum-based materials touch the plastic parts. Chemicals can cause damage to the plastic, and make the plastic unserviceable.

### ▲ CAUTION

Do not use strong solvents or detergents on the plastic housing or components.

### ▲ WARNING

Remove the battery pack from the machine before maintenance.

### 10.1 CLEAN THE MACHINE

### ▲ WARNING

Keep the machine and the motor free of leaves, branches or excessive oil to prevent fire risks.

- Use a moist cloth with a mild detergent to clean the machine.
- Clean all moisture with a soft dry cloth.
- Use a small brush to clean the air vents.

### 10.2 LUBRICATE THE BLADE

To increase the efficiency and life of the blades, lubricate them carefully after each work session:

- Put the machine on a flat and smooth surface.
- Use a soft cloth to clean the blades and a brush to remove more dirt.
- Use a light layer of oil to lubricate the blades along the top edge of the blade.

### i NOTE

We recommend to use the non-pollutant type oil.

## 11 STORE THE MACHINE

### i NOTE

Clean the machine before storage.

1. Remove the battery pack.
2. Let the motor cool.
3. Check that there are no loose or damaged components. If it is necessary, replace the damaged components, tighten screws and bolts, or speak to a person of an approved service center.
4. Store the machine in a cool and dry location.

## 12 TROUBLESHOOTING

Problem	Possible cause	Solution
The motor shuts down whilst working.	The battery pack is not installed tightly.	Make sure that you tightly install the battery pack in the machine.
	The battery pack is out of power.	Charge the battery pack.
	The machine has damage.	Do not use the machine and speak to service center.
The machine smokes during operation.	The machine has damage.	<ol style="list-style-type: none"> <li>1. Immediately stop the machine.</li> <li>2. Remove the battery.</li> <li>3. Speak to service center.</li> </ol>
Motor runs but tines do not move.	The machine has damage.	Do not use the machine and speak to service center.
	The tines are blocked.	Remove battery then clear blockage from the tines.
	Gear train failure.	Speak to service center.

## 13 TECHNICAL DATA

Voltage	82 V
No load speed	200 (±5%) RPM
Cultivating path	10 in. (25 cm)
Weight (without battery pack)	25.4 lbs. (11.5 kg)

## 14 LIMITED WARRANTY



Greenworks hereby warrants this product, to the original purchaser with proof of purchase, 2 year commercial power train warranty, 2 year commercial battery warranty against defects in materials, parts or

workmanship. Greenworks, at its own discretion will repair or replace any and all parts found to be defective, through normal use, free of charge to the customer. This warranty is valid only for units which have been used for personal use that have not been hired or rented for industrial/commercial use, and that have been maintained in accordance with the instructions in the owners' manual supplied with the product from new.

### 2 YEAR LIMITED POWER TRAIN WARRANTY COVERAGE:

- Motor
- PCB Boards
- Gear Box
- 2 years from the date of purchase (non transferable)

### 2 YEAR LIMITED BATTERY WARRANTY COVERAGE:

- Greenworks Commercial Battery Packs (GL 200, GL 250, GL 300, GL 400, GL 500, GL 900)
- 2 year from the date of purchase (non transferable)

### 60 DAY LIMITED WEARABLE PARTS WARRANTY COVERAGE:

- Bars
- Blades
- Guards
- Chains
- Bump Feed Heads
- Tines
- 60 Days from date of purchase (non transferable)

### WARRANTY EXCLUSIONS, LIMITATIONS AND RIGHTS:

1. All warranties may not be transferred by the consumer to any subsequent purchaser.
2. Parts or components not supplied by the warrantor, or parts or components that have been modified.
3. Any failure resulting from the use of improper tools or improper repair procedures.
4. Any failure resulting from the use of improper tools or improper repair procedures.
5. Any failure or part that has become inoperative due to accident, impact, abuse, misuse, neglect, mishandling, dulling of cutting edges, or failure to operate the product in accordance with the information provided in the instruction manual supplied with the product.
6. Routine maintenance items such as lubricants, blade sharpening.

7. The unit, if it has not been operated and/or maintained in accordance with the owner's manual.
8. The unit, if it has not been operated and/or maintained in accordance with the owner's manual.

**GREENWORKS HELPLINE:**

Warranty service is available by calling our toll-free helpline, at 1-855-470-4267.

**TRANSPORTATION CHARGES:**

Transportation charges for the movement of any power equipment unit or attachment are the responsibility of the purchaser. It is the purchaser's responsibility to pay transportation charges for any part submitted for replacement under this warranty unless such return is requested in writing by Greenworks.

**Greenworks Tools  
P. O. Box 1238  
Mooreville, NC 28115**

<b>1</b>	<b>Description.....</b>	<b>13</b>	8.1	Déballez la machine.....	16
1.1	Utilisation conforme.....	13	<b>9</b>	<b>Fonctionnement .....</b>	<b>18</b>
1.2	Aperçu.....	13	9.1	Démarrez la machine.....	18
<b>2</b>	<b>Avertissements généraux de</b>		9.2	Arrêtez la machine.....	18
	<b>sécurité des outils électriques.....</b>	<b>13</b>	9.3	Réduisez la largeur de la surface à	
2.1	Consignes de sécurité.....	13		cultiver.....	18
<b>3</b>	<b>Proposition 65.....</b>	<b>14</b>	9.4	Conseils sur l'utilisation.....	18
<b>4</b>	<b>Sécurité des enfants.....</b>	<b>14</b>	<b>10</b>	<b>Entretien.....</b>	<b>19</b>
<b>5</b>	<b>Symboles figurant sur la</b>		10.1	Nettoyez la machine.....	19
	<b>machine.....</b>	<b>14</b>	10.2	Lubrification de lame.....	19
<b>6</b>	<b>Niveaux de risques.....</b>	<b>15</b>	<b>11</b>	<b>Stockage de la machine .....</b>	<b>19</b>
<b>7</b>	<b>Élimination des batteries sans</b>		<b>12</b>	<b>Dépannage.....</b>	<b>19</b>
	<b>danger pour l'environnement.....</b>	<b>15</b>	<b>13</b>	<b>Données techniques.....</b>	<b>19</b>
<b>8</b>	<b>Installation.....</b>	<b>16</b>	<b>14</b>	<b>Garantie limitée.....</b>	<b>20</b>

## 1 DESCRIPTION

### 1.1 UTILISATION CONFORME

Le cultivateur doté d'une batterie est conçu pour ameubler le sol dans un jardin ouvert. Cet appareil ne convient pas à l'utilisation commerciale. Ne l'utilisez pour aucune autre tâche.

### 1.2 APERÇU

1	Poignée gauche	10	Dent C
2	Poignée droite	11	Dent D
3	Écrou à oreilles	12	Goupille de sécurité
4	Tige de support	13	Feutre
5	Trappe de la batterie	14	Bouton de verrouillage de sécurité
6	Ensemble de roues	15	Interrupteur
7	Goupille annulaire		
8	Dent A		
9	Dent B		

## 2 AVERTISSEMENTS GÉNÉRAUX DE SÉCURITÉ DES OUTILS ÉLECTRIQUES

### ▲ AVERTISSEMENT

Lisez tous les avertissements de sécurité et toutes les instructions. Le non-respect de ces avertissements et de ces instructions peut entraîner un choc électrique, un incendie et/ou des blessures graves.

Conservez tous les avertissements et instructions pour référence ultérieure.

Le terme « outil électrique » dans les avertissements fait référence à votre outil électrique (sans fil) fonctionnant sur batterie.

### 2.1 CONSIGNES DE SÉCURITÉ

- Utilisez uniquement des pièces de rechange et des accessoires identiques du fabricant. L'utilisation d'autres pièces peut créer un danger ou endommager le produit.
- Portez toujours des lunettes de sécurité dont les écrans latéraux sont conformes à la norme ANSI Z87.1. Les lunettes ordinaires sont dotées de verres résistants aux impacts seulement. Ce ne sont PAS des lunettes de sécurité. Le respect de cette règle réduira le risque de blessures aux yeux. Utilisez un masque facial si vous travaillez dans des endroits poussiéreux.
- Évitez les endroits dangereux — N'exposez pas les outils électriques à des conditions humides ou mouillées. L'eau qui pénètre dans un outil électrique augmente le risque de choc électrique.
- N'utilisez pas sous la pluie.
- Tenez tous les curieux, les enfants et les animaux domestiques à une distance d'au moins 15 m.
- N'utilisez l'outil électrique que pour les travaux auxquels il est destiné.
- Évitez tout démarrage accidentel – Ne transportez pas la machine avec un doigt sur l'interrupteur. Assurez-vous que la batterie est retirée pendant le transport.
- N'utilisez pas l'équipement pieds nus ou en portant des sandales ou des chaussures légères similaires. Portez des chaussures de protection qui protégeront vos pieds et amélioreront votre posture sur les surfaces glissantes.
- Ne vous penchez pas trop - Gardez un bon équilibre en tout temps.
- Soyez vigilant - Faites attention à ce que vous faites. Faites appel à votre bon sens. N'utilisez pas cet appareil si vous êtes fatigué, malade ou sous l'influence de l'alcool, de drogues ou de médicaments.
- Rangez toujours les outils électriques inutilisés à l'intérieur - Lorsqu'ils ne sont pas utilisés, entreposez-les à l'intérieur dans un endroit sec, hors de portée des enfants.
- Entretien des outils électriques - Remplacez les dents si elles sont fissurées, ébréchées ou endommagées de quelque façon que ce soit. Assurez-vous que les dents sont correctement installées et solidement fixées. Gardez le bord des dents bien aiguisé et propre pour une meilleure performance et pour réduire les risques de blessures. Suivez les instructions pour lubrifier et changer les accessoires. Veillez à ce que les poignées restent propres, sèches et exemptes d'huile et de graisse. Le non-respect de cette consigne peut entraîner des blessures corporelles graves.
- Vérifier les pièces endommagées - Avant de continuer à utiliser la machine, il convient de vérifier soigneusement une garde protectrice ou toute autre pièce endommagée pour s'assurer qu'il fonctionnera correctement comme prévu. Vérifiez l'alignement des pièces mobiles, la fixation des pièces mobiles, la cassure des pièces, les fixations endommagées et toute autre condition qui pourrait affecter leur fonctionnement. Une garde protectrice ou toute autre pièce endommagée doit être correctement réparée ou remplacée par un centre de service agréé, sauf indication contraire dans ce manuel.
- Ne pas charger ou utiliser des outils sans fil dans des endroits humides ou mouillés ou sous la pluie. Le respect de cette règle réduira le risque de chocs électriques.
- Retirez ou débranchez la batterie avant d'entretenir, de nettoyer ou d'enlever des matériaux de la machine de jardinage.

- Ne jetez pas les batteries au feu. Les cellules peuvent exploser. Consultez les règlements locaux pour connaître les instructions d'élimination spéciales.
- Ne tentez pas d'ouvrir ni d'abîmer la batterie. Les électrolytes rejetés sont corrosifs et peuvent causer des dommages aux yeux ou à la peau. L'électrolyte peut être toxique lorsqu'elle est avalée.
- Manipulez les batteries avec précaution afin de ne pas court-circuiter la batterie avec des matériaux conducteurs tels que les bagues, les bracelets et les clés. La batterie ou le conducteur peut surchauffer et provoquer des brûlures.
- Habillez-vous correctement – Ne portez pas de vêtements amples ou de bijoux. Ils qui pourraient se coincer dans les pièces en mouvement. Le port de gants en caoutchouc et de chaussures adaptées est recommandé pour travailler à l'extérieur. Portez un couvre-chef protecteur pour contenir les cheveux longs.
- Ne forcez pas inutilement votre outil électrique – Il fera mieux le travail et avec moins de risque de blessure à la vitesse pour laquelle il a été conçu.
- Rechargez uniquement avec le chargeur spécifié par le fabricant. Un chargeur adapté à un type de bloc-batterie peut créer un risque d'incendie lorsqu'il est utilisé avec un autre bloc-batterie.
- Lorsque le bloc batterie n'est pas utilisé, éloignez-le des autres objets métalliques tels qu'attaches trombones, pièces de monnaie, clés, clous, vis ou autres petits objets métalliques qui peuvent établir une connexion d'une borne à une autre. Le court-circuitage des bornes de la batterie peut provoquer un incendie.
- Dans des conditions abusives, du liquide peut être éjecté de la batterie ; évitez tout contact. En cas de contact accidentel, rincez avec de l'eau. En cas de contact avec les yeux, consultez également un médecin. Le liquide s'échappant des batteries peut causer des irritations ou des brûlures.
- N'utilisez pas une batterie ou une machine endommagée ou modifiée. Les batteries endommagées ou modifiées peuvent présenter un fonctionnement imprévisible et provoquer un incendie, une explosion ou un risque de blessure.
- N'exposez pas une batterie ou un outil électrique à un feu ou à une température excessive. L'exposition au feu ou une température supérieure à 130°C (265°F) peut provoquer une explosion.

### 3 PROPOSITION 65

#### ▲ AVERTISSEMENT

Ce produit contient un produit chimique reconnu dans l'État de Californie comme une cause de cancer, de défauts de naissance et autrement nocif pour la reproduction. Certaines poussières créées par le ponçage, le sciage, le meulage, le perçage et autres activités de construction contiennent des produits chimiques reconnus comme une cause de cancer, de défauts de naissance et autrement nocifs pour la reproduction. Parmi les exemples de ces produits chimiques, nous relevons :

- Plomb des peintures au plomb ;
- Silice cristalline des briques, ciments et autres produits de maçonnerie ;
- Arsenic et chrome du bois traité chimiquement.

Votre risque d'exposition à ces produits chimiques varie selon la fréquence avec laquelle vous exécutez ce type de travaux. Afin de réduire votre exposition à ces produits chimiques, travaillez dans une zone bien ventilée et avec un équipement de sécurité agréé, ainsi des masques antipoussière spécialement conçus pour filtrer les particules microscopiques.

**Conservez ces instructions.**

### 4 SÉCURITÉ DES ENFANTS

Des accidents tragiques peuvent se produire si l'opérateur n'est pas au courant de la présence des enfants.

- Éloignez les enfants de la zone de travail et placez-les sous la surveillance d'un adulte responsable.
- Ne laissez pas un enfant de moins de 14 ans utiliser cette machine. Les enfants de 14 ans et plus doivent lire et comprendre les instructions d'utilisation et les règles de sécurité contenues dans ce manuel et doivent être formés et supervisés par un parent.
- Restez vigilant et éteignez la machine si un enfant ou une autre personne entre dans la zone de travail.
- Soyez extrêmement prudent lorsque vous vous approchez d'un angle mort, d'une porte, d'un arbuste, d'un arbre ou de tout autre objet qui pourrait masquer la vue d'un enfant qui pourrait se heurter à la machine.

### 5 SYMBOLES FIGURANT SUR LA MACHINE




Certains des symboles suivants peuvent être utilisés sur ce produit. Veuillez les étudier et apprendre leur signification. Une bonne interprétation de ces symboles vous permettra de mieux utiliser le produit et de manière plus sécuritaire.

Symbole	Explication
V	Voltage

Symbole	Explication
A	Courant
Hz	Fréquence (cycles par seconde)
	Ne pas exposer la machine à la pluie ou à l'humidité.
	Type ou caractéristique du courant
	Éloignez les pieds et les mains des dents en rotation.
	Les objets projetés peuvent ricocher et causer des blessures corporelles ou des dommages matériels. Portez des vêtements et des bottes de protection.
	Précautions destinées à assurer la sécurité.
	Lisez et comprenez toutes les instructions avant d'utiliser cette machine, et suivez tous les avertissements et les consignes de sécurité.
	Portez des lunettes enveloppantes et un casque anti-bruit.
	Tenez tous les curieux à une distance d'au moins 15 m.

## 6 NIVEAUX DE RISQUES

Les termes de mise en garde suivants et leur signification ont pour but d'expliquer les niveaux de risques associés à l'utilisation de ce produit.

SYMBOLE	SIGNAL	SIGNIFICATION
	DANGER	Indique une situation dangereuse imminente qui, si elle n'est pas évitée, peut entraîner la mort ou des blessures graves.
	AVERTISSEMENT	Indique une situation potentiellement dangereuse qui, si elle n'est pas évitée, peut entraîner la mort ou des blessures graves.
	MISE EN GARDE	Indique une situation potentiellement dangereuse qui, si elle n'est pas évitée, pourrait causer des blessures mineures ou modérées.

SYMBOLE	SIGNAL	SIGNIFICATION
	MISE EN GARDE	(Sans symbole d'alerte de sécurité) Indique une situation pouvant entraîner des dommages matériels.

## 7 ÉLIMINATION DES BATTERIES SANS DANGER POUR L'ENVIRONNEMENT



Les matières toxiques et corrosives ci-dessous se trouvent dans les batteries utilisées dans cette machine : **ion-lithium, une substance toxique.**

### ▲ AVERTISSEMENT

Éliminez toutes les substances toxiques d'une manière spécifiée afin de prévenir la contamination de l'environnement. Avant de jeter une batterie Li-ion endommagée ou usée, contactez votre agence locale d'élimination des déchets ou l'agence locale de protection de l'environnement pour obtenir des informations et des instructions spécifiques. Apportez les batteries à un centre local de recyclage ou d'élimination certifié pour l'élimination de batteries au lithium-ion.

## ▲ AVERTISSEMENT

Si la batterie se fend ou se brise, avec ou sans fuites, ne la rechargez pas et ne l'utilisez pas. Jetez-la et remplacez-la par une nouvelle batterie. **N'ESSAYEZ PAS DE LA RÉPARER !** Pour prévenir les blessures et les risques d'incendie, d'explosion ou de choc électrique, et pour éviter tout dommage à l'environnement :

- Couvrez les bornes de la batterie avec du ruban adhésif résistant.
- NE PAS essayer d'enlever ou de détruire les composants de la batterie.
- NE PAS essayer d'ouvrir ou de réparer la batterie.
- En cas de fuite, les électrolytes rejetés sont corrosifs et toxiques. NE PAS laisser entrer la solution dans les yeux ou en contact avec la peau et ne pas l'avaler.
- NE PAS jeter vos batteries usagées dans votre poubelle à ordures ménagères.
- NE PAS incinérer.
- NE LES Mettez PAS dans un endroit où ils feront partie d'un site d'enfouissement de déchets ou d'un flux de déchets solides municipaux.
- Emmenez-les dans un centre de recyclage ou d'élimination certifié.

## 8 INSTALLATION

### 8.1 DÉBALLER LA MACHINE

#### ▲ AVERTISSEMENT

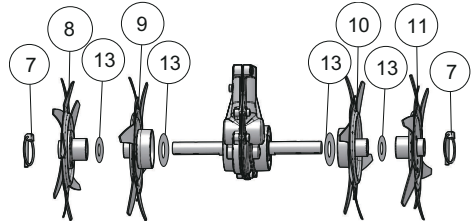
Assurez-vous d'assembler correctement la machine avant de l'utiliser.

#### ▲ AVERTISSEMENT

- Si les pièces sont endommagées, n'utilisez pas la machine.
- Si vous n'avez pas toutes les pièces, n'utilisez pas la machine.
- Si les pièces sont endommagées ou manquantes, communiquez avec le centre de service.

1. Ouvrez l'emballage.
2. Lisez la documentation contenue dans la boîte.
3. Retirez toutes les pièces non assemblées de la boîte.
4. Retirez la machine de sa boîte.
5. Jetez la boîte et l'emballage en respectant les règlements locaux.

### 8.1.1 INSTALLEZ LES DENTS



Le cultivateur possède quatre dents - deux dents intérieures estampées B et C et deux dents extérieures estampées A et D. Pour un fonctionnement correct de la machine, les dents doivent être installées dans la bonne orientation.

1. Placez le grand feutre de chaque côté de l'arbre porte-dents et faites-le glisser pour qu'il repose contre la dent intérieure.
2. Placez la machine sur une surface plane et régulière.
3. Placez la dent B sur l'arbre porte-dents à gauche de la boîte d'engrenage. Le côté estampé de la dent doit être tourné vers l'extérieur de la boîte d'engrenage.
4. Placez la dent C sur l'arbre porte-dents à droite de la boîte d'engrenage. Le côté estampé de la dent doit être tourné vers l'extérieur de la boîte d'engrenage.
5. Placez le petit feutre de chaque côté de l'arbre porte-dents et faites-le glisser pour qu'il repose contre la dent intérieure.
6. Placez la dent extérieure estampillée A sur le côté gauche de l'arbre porte-dents. Le côté estampillé doit être tourné vers l'intérieur, vers la dent B.
7. Placez la dent extérieure estampillée D sur le côté droit de l'arbre porte-dents. Le côté estampillé doit être orienté vers l'intérieur, vers la dent C.
8. Pour fixer les dents à l'arbre porte-dents, insérez les goupilles annulaires dans les trous situés de chaque côté de l'arbre porte-dents.

#### i REMARQUE

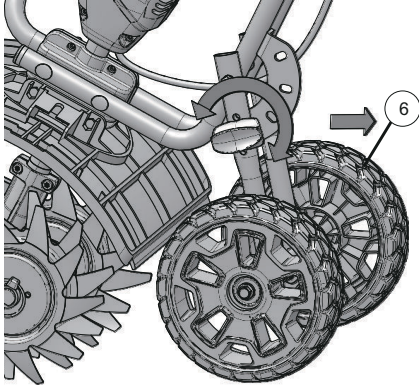
La machine ne fonctionnera pas correctement si les dents ne sont pas installées correctement. Si vous remarquez un problème avec l'opération de culture de la machine, vérifiez le positionnement correct des dents.

#### ▲ AVERTISSEMENT

Les dents et la machine peuvent être endommagées même si vous déplacez la machine avec le moteur à l'arrêt. Pour éviter que les dents ne touchent le sol pendant le déplacement, inclinez la machine.



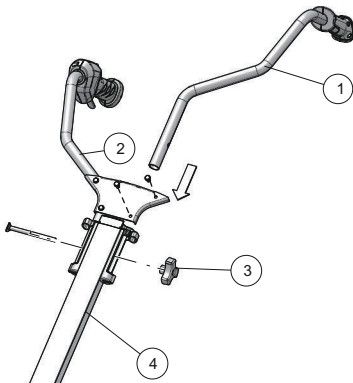
## 8.1.2 RÉGLEZ LA HAUTEUR DES ROUES



Les roues servent à contrôler la profondeur pendant l'opération d'ameublissement. Pour régler la hauteur de la machine, déplacez l'ensemble de la roue dans une position de trou supérieure ou inférieure.

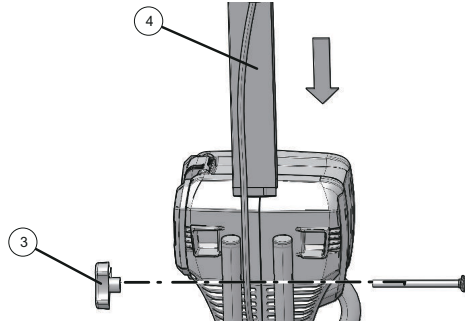
1. Tirez et tournez le bouton de 90°.
2. Placez l'ensemble de la roue dans le trou désiré.
3. Tournez le bouton jusqu'à ce qu'il se verrouille en place.

## 8.1.3 INSTALLEZ LA POIGNÉE



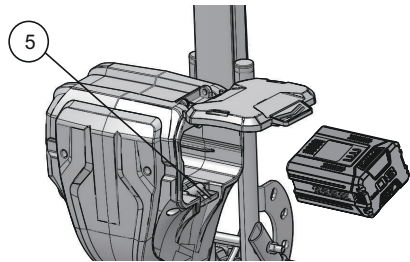
1. Insérez la poignée gauche dans la tige de support.
2. Alignez les trous du panneau avec ceux de la poignée gauche.
3. Insérez les vis dans le panneau et serrez-les à l'aide du tournevis cruciforme.
4. Insérez le boulon dans la partie supérieure de la tige de support.
5. Utilisez l'écrou à oreilles pour serrer.

## 8.1.4 INSTALLEZ LA TIGE DE SUPPORT



1. Insérez la tige de support dans la machine.
2. Insérez le boulon dans la partie inférieure de la tige de support.
3. Utilisez les écrous à oreilles pour serrer.

## 8.1.5 INSTALLEZ LE BLOC-BATTERIE



### ▲ AVERTISSEMENT

- Si le bloc-batterie ou le chargeur est endommagé, remplacez-le, au besoin.
- Arrêtez la machine et attendez que le moteur s'arrête avant d'installer ou de retirer le bloc-batterie.
- Lisez, comprenez et suivez les instructions du manuel de la batterie et du chargeur.

1. Alignez les nervures de levage du bloc-batterie avec les rainures du compartiment à piles.
2. Poussez le bloc-batterie dans le compartiment jusqu'à ce qu'il soit bien encliqueté.
3. Vous devriez entendre un clic lorsque le bloc-batterie sera inséré correctement.

## 8.1.6 RETIREZ LE BLOC-BATTERIE

1. Poussez et maintenez enfoncé le bouton de déblocage de la batterie.
2. Retirez le bloc-batterie de la machine.

## 9 FONCTIONNEMENT

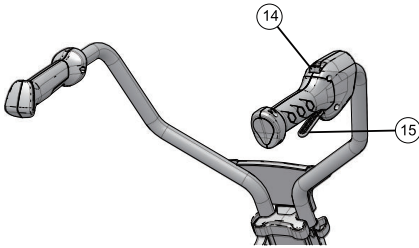
- Ne mettez pas les doigts dans les encoches ou sur une position où ils risquent d'être coupés.
- Ne touchez pas la lame sauf pour retirer le pack-batterie.
- N'utilisez pas la machine si la lame est endommagée ou tordue.
- Retirez tous les objets, ainsi les cordons, lampes, fils ou ficelles pouvant s'enchevêtrer dans la lame de coupe et entraîner un risque de blessure.

### ▲ AVERTISSEMENT

Si la lame se bloque sur un cordon ou une ligne électrique, **NE TOUCHEZ PAS LA LAME ! ELLE PEUT ÊTRE SOUS TENSION ET DANGEREUSE.** Procédez comme suit :

1. Tenez la poignée arrière isolée ou abaissez la machine en l'écartant de vous.
2. Déconnectez l'alimentation électrique de la ligne ou du cordon endommagé avant de tenter de libérer la lame.

### 9.1 DÉMARREZ LA MACHINE



1. Appuyez sur le bouton de verrouillage de sécurité et maintenez-le enfoncé.
2. Appuyez sur l'interrupteur pendant que vous maintenez le bouton de verrouillage de sécurité enfoncé.
3. Relâchez le bouton de verrouillage de sécurité.

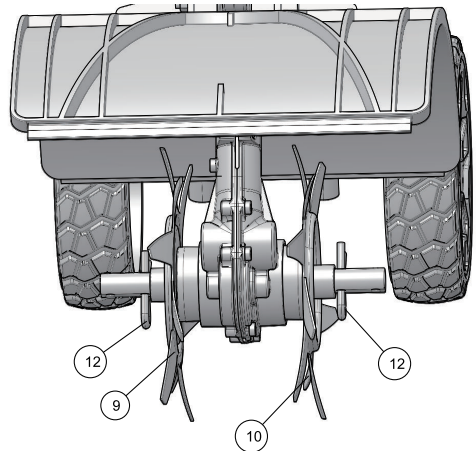
### ▲ AVERTISSEMENT

Tenez la machine avec les deux mains pendant le fonctionnement.

### 9.2 ARRÊTEZ LA MACHINE

1. Relâchez l'interrupteur pour arrêter la machine.

### 9.3 RÉDUISEZ LA LARGEUR DE LA SURFACE À CULTIVER



Les deux lames de dents extérieures peuvent être retirées de la machine pour réduire la largeur de la surface à cultiver.

1. Retirez les goupilles annulaires des trous situés aux extrémités de l'arbre porte-dents.
2. Retirez les dents extérieures et les feutres de l'arbre porte-dents.
3. Placez les goupilles de sécurité dans les trous.

### 9.4 CONSEILS SUR L'UTILISATION

Le cultivateur peut être utilisé pour labourer le sol du jardin et préparer un lit de semence pour la plantation. Planifiez à l'avance pour laisser suffisamment d'espace entre les rangées de semences pour permettre la culture mécanique après la croissance des plantes.

1. Plusieurs passages sur le même parcours peuvent être nécessaires pour atteindre la profondeur souhaitée. N'essayez pas de creuser trop profondément au premier passage.
2. Si la machine saute ou saute, laissez l'appareil avancer un peu plus vite ou installez une roue.
3. Si le cultivateur reste et s'enfonce à un endroit, essayez de le balancer d'un côté à l'autre afin de le faire avancer à nouveau.
4. Si le sol est très dur, arrosez quelques jours avant la culture. Évitez de travailler le sol lorsqu'il est détrempé ou mouillé. Attendez un jour ou deux après de fortes pluies pour que le sol sèche.

- Les cultures peu profondes de moins de 5 cm de profondeur peuvent être utilisées pour déraciner les mauvaises herbes et aérer le sol, sans endommager les racines des plantes voisines. Il faut le faire régulièrement afin d'éviter que les mauvaises herbes ne grossissent et ne se coincent dans les dents de l'appareil.

- Laissez le moteur refroidir.
- Assurez-vous qu'aucune composant n'est desserré ou endommagé. Si nécessaire, remplacez les composants endommagés, serrez les vis et boulons ou contactez un centre d'entretien agréé.
- Rangez la machine dans un endroit frais et sec.

## 10 ENTRETIEN

### ▲ ATTENTION

Évitez que les liquides de freins, l'essence et les matériaux à base de pétrole ne viennent en contact avec les pièces en plastique. Les produits chimiques peuvent endommager le plastique et le rendre inutilisable.

### ▲ ATTENTION

N'utilisez pas de solvants ou de détergents puissants sur le boîtier ou les composants en plastique.

### ▲ AVERTISSEMENT

Retirez le bloc-batterie de la machine avant l'entretien.

### 10.1 NETTOYEZ LA MACHINE

#### ▲ AVERTISSEMENT

Débarrassez la machine et le moteur des feuilles, branches ou excès d'huile pour éviter tout risque d'incendie.

- Utilisez un chiffon humide avec un détergent doux pour nettoyer la machine.
- Rangez la machine dans un endroit frais et sec.
- Utilisez une petite brosse pour nettoyer les aérations.

### 10.2 LUBRIFICATION DE LAME

Pour rehausser l'efficacité et le cycle de vie des lames, lubrifiez-les soigneusement après chaque session de travail :

- Placez la machine sur une surface plane et lisse.
- Utilisez un chiffon doux pour nettoyer les lames et une brosse pour les dégraisser.
- Utilisez un film d'huile pour lubrifier les lames le long de leur bord supérieur.

#### i REMARQUE

Nous vous recommandons l'usage d'une huile de type non-polluante.

## 11 STOCKAGE DE LA MACHINE

#### i REMARQUE

Nettoyez la machine avant son stockage.

- Retirez le pack-batterie.

## 12 DÉPANNAGE

Problème	Cause possible	Solution
Le moteur s'arrête pendant le travail.	La batterie n'est pas correctement installée.	Assurez-vous que vous avez bien installé le bloc batterie dans la machine.
	Le bloc-batterie est déchargé.	Rechargez le bloc-batterie.
	La machine est endommagée.	N'utilisez pas la machine et communiquez avec le centre de service.
La machine dégage de la fumée pendant le fonctionnement.	La machine est endommagée.	<ol style="list-style-type: none"> <li>Arrêtez la machine immédiatement.</li> <li>Retirez le bloc-batterie.</li> <li>Communiquez avec le centre de service.</li> </ol>
Le moteur tourne mais les dents ne bougent pas.	La machine est endommagée.	N'utilisez pas la machine et communiquez avec le centre de service.
	Les dents sont bloquées.	Retirez la batterie puis dégagez les dents de tout blocage.
	Panne du train d'engrenages.	Communiquez avec le centre de service.

## 13 DONNÉES TECHNIQUES

Voltage	82 V
Vitesse à vide	200 (±5%) RPM
Parcours de culture	10 in. (25 cm)
Poids (sans block-piles)	25.4 lbs. (11.5 kg)

## 14 GARANTIE LIMITÉE



Greenworks garantit ce produit, à l'acheteur original avec preuve d'achat, 2 ans de garantie sur le groupe motopropulseur commercial, 2 ans de garantie sur la batterie commerciale contre les défauts de matériaux, pièces ou main d'œuvre. Greenworks, à sa propre discrétion, réparera ou remplacera toutes les pièces défectueuses, dans des conditions normales d'utilisation, sans frais pour le client. Cette garantie n'est valable que pour les appareils qui ont été utilisés à des fins personnelles, qui n'ont pas été loués à des fins industrielles ou commerciales et qui ont été entretenus conformément aux instructions du manuel du propriétaire fourni avec le produit neuf.

### **GARANTIE LIMITÉE DE 2 ANS SUR LE GROUPE MOTOPROPULSEUR :**

- Moteur
- Cartes de circuits imprimés
- Boîte d'engrenage
- 2 ans à compter de la date d'achat (non transférable)

### **GARANTIE LIMITÉE DE 2 ANS SUR LA BATTERIE :**

- Blocs-batteries commerciaux Greenworks (GL 200, GL 250, GL 300, GL 400, GL 500, GL 900)
- 2 ans à compter de la date d'achat (non transférable)

### **GARANTIE LIMITÉE DE 60 JOURS SUR LES PIÈCES D'USURE :**

- Guide-chaînes
- Lames
- Gardes protectrices
- Chaînes
- Têtes d'avance à déclenchement
- Dents
- 60 jours à compter de la date d'achat (non transférable)

### **EXCLUSIONS, LIMITATIONS ET DROITS DE GARANTIE :**

1. Toutes les garanties ne peuvent pas être transférées par le consommateur à un acheteur subséquent.

2. Pièces ou composants non fournis par le garant, ou pièces ou composants qui ont été modifiés.
3. Toute défaillance résultant de l'utilisation d'outils ou de procédures de réparation inappropriés.
4. Toute défaillance résultant de l'utilisation d'outils ou de procédures de réparation inappropriés.
5. Toute panne ou pièce devenue inopérante en raison d'un accident, d'un choc, d'un abus, d'une mauvaise utilisation, d'une négligence, d'une mauvaise manipulation, de l'érousement des tranchants ou d'un défaut d'utilisation du produit conformément aux informations fournies dans le mode d'emploi fourni avec le produit.
6. Articles d'entretien courant tels que lubrifiants, affûtage des lames.
7. L'appareil, s'il n'a pas été utilisé *et/ou* entretenu conformément au manuel du propriétaire.
8. L'appareil, s'il n'a pas été utilisé *et/ou* entretenu conformément au manuel du propriétaire.

### **ASSISTANCE TÉLÉPHONIQUE DE GREENWORKS :**

Le service de garantie est disponible en appelant notre ligne d'assistance téléphonique sans frais, au 1-855-470-4267.

### **FRAIS DE TRANSPORT :**

Les frais de transport pour le déplacement de tout équipement motorisé ou accessoire sont à la charge de l'acheteur. Il incombe à l'acheteur de payer les frais de transport pour toute pièce retournée pour remplacement en vertu de la présente garantie, à moins qu'un tel retour soit demandé par écrit par Greenworks.

**Greenworks Tools**

**P.O. Box 1238**

**Mooresville, NC 28115**

<b>1</b>	<b>Descripción.....</b>	<b>22</b>	<b>8</b>	<b>Instalación.....</b>	<b>25</b>
1.1	Uso previsto.....	22	8.1	Desembalaje de la máquina.....	25
1.2	Perspectiva general.....	22	<b>9</b>	<b>Funcionamiento.....</b>	<b>27</b>
<b>2</b>	<b>Advertencias generales de seguridad para herramientas eléctricas.....</b>	<b>22</b>	9.1	Puesta en marcha de la máquina.....	27
2.1	Información de seguridad.....	22	9.2	Detención de la máquina.....	27
<b>3</b>	<b>Propuesta 65.....</b>	<b>23</b>	9.3	Anchura de cultivo estrecha.....	27
<b>4</b>	<b>Seguridad infantil.....</b>	<b>23</b>	9.4	Consejos de funcionamiento.....	27
<b>5</b>	<b>Símbolos en el producto.....</b>	<b>23</b>	<b>10</b>	<b>Mantenimiento.....</b>	<b>28</b>
<b>6</b>	<b>Niveles de riesgo.....</b>	<b>24</b>	10.1	Limpieza de la máquina.....	28
<b>7</b>	<b>Eliminación de batería segura para el medio ambiente.....</b>	<b>24</b>	10.2	Lubricación de la cuchilla.....	28
			<b>11</b>	<b>Almacenamiento de la máquina..</b>	<b>28</b>
			<b>12</b>	<b>Solución de problemas.....</b>	<b>28</b>
			<b>13</b>	<b>Datos técnicos.....</b>	<b>28</b>
			<b>14</b>	<b>Garantía limitada.....</b>	<b>29</b>

## 1 DESCRIPCIÓN

### 1.1 USO PREVISTO

El cultivador a batería se ha diseñado para aflojar la tierra en una zona ajardinada abierta. Este producto no está destinado para un uso comercial. No lo use para ninguna tarea.

### 1.2 PERSPECTIVA GENERAL

1 Asa izquierda	9 Diente B
2 Asa derecha	10 Diente C
3 Tuerca de mariposa	11 Diente D
4 Barra de soporte	12 Pasador de enganche
5 Puerta de la batería	13 Filtro
6 Conjunto de las ruedas	14 Botón de bloqueo de seguridad
7 Pasador de anillo	15 Interruptor
8 Diente A	

## 2 ADVERTENCIAS GENERALES DE SEGURIDAD PARA HERRAMIENTAS ELÉCTRICAS

### ▲ AVISO

Lea todas las advertencias de seguridad y todas las instrucciones. El incumplimiento de las advertencias e instrucciones puede provocar descargas eléctricas, incendios o lesiones graves.

Guarde todas las advertencias e instrucciones para su consulta posterior.

El término "herramienta eléctrica" empleado en las advertencias se refiere a su herramienta eléctrica con funcionamiento a batería (inalámblica).

### 2.1 INFORMACIÓN DE SEGURIDAD

- Utilice únicamente accesorios y piezas de repuesto idénticos del fabricante. El uso de cualquier otra pieza puede generar un riesgo o producir daños en el producto.
- Lleve siempre gafas de seguridad con protectores laterales marcadas para cumplir la ANSI Z87.1. Las gafas normales solo tienen lentes resistentes a impactos. NO son gafas de seguridad. Si sigue esta regla reducirá el riesgo de lesiones oculares. Utilice máscara facial si trabaja en espacios de trabajo con polvo.
- Evite los entornos peligrosos — No exponga las herramientas eléctricas a condiciones de humedad. Si penetra agua en una herramienta eléctrica, aumentará el riesgo de descarga eléctrica.
- No utilice bajo la lluvia.
- Mantenga a todos los transeúntes, niños y mascotas al menos a 15 m.
- No utilice las herramientas eléctricas para trabajos distintos del previsto.
- Evite la puesta en marcha accidental – No transporte la máquina con los dedos sobre el interruptor. Asegúrese de retirar la batería durante el transporte.
- No utilice el equipo si está descalzo o lleva sandalias o un calzado ligero similar. Lleve calzado de protección que proteja los pies y mejore el agarre en superficies resbaladizas.
- No se estire - Mantenga en todo momento una postura adecuada y el equilibrio.
- Manténgase alerta - Observe lo que está haciendo en todo momento. Utilice el sentido común. No utilice esta unidad cuando esté cansado, enfermo o bajo la influencia de alcohol, drogas o medicamentos.
- Almacene siempre las herramientas eléctricas inactivas en interior - Cuando no estén en uso, las herramientas eléctricas deben almacenarse en interior, en un lugar seco, fuera del alcance de los niños.
- Mantenimiento de la herramienta eléctrica - Sustituya el diente si está agrietado, astillado o dañado de alguna manera. Asegúrese de que el diente esté correctamente instalado y bien fijado. Mantenga el diente afilado y limpio para un mejor rendimiento y para reducir el riesgo de lesiones. Siga las instrucciones para la lubricación y el cambio de accesorios. Mantenga las asas secas, limpias y sin restos de aceite y grasa. De no hacerlo podrían producirse lesiones graves.
- Compruebe las piezas dañadas – Antes de seguir utilizando la máquina, una protección u otra pieza dañada debe comprobarse detenidamente para determinar si funcionará correctamente y cumplirá su función prevista. Compruebe la alineación de las piezas móviles, la unión de las partes móviles, la rotura de piezas, los montajes dañados y cualquier otra condición que pueda afectar a su funcionamiento. Una protección u otra pieza que esté dañada debe ser reparada o sustituida debidamente por un centro de servicio autorizado, a menos que se indique lo contrario en este manual.
- No cargue ni utilice herramientas inalámbricas en lugares húmedos, mojados o bajo la lluvia. Si sigue esta regla reducirá el riesgo de descarga eléctrica.
- Retire o desconecte la batería antes de reparar, limpiar o retirar material de la máquina de jardinería.
- No deseche las baterías en el fuego. Las celdas pueden explotar. Compruebe los códigos locales para conocer las posibles instrucciones especiales de eliminación.
- No abra ni desguace las baterías. El electrolito liberado es corrosivo y puede producir daños a los

ojos o la piel. Puede ser tóxico en caso de ingestión.

- Tenga cuidado al manipular las baterías para no cortocircuitarlas con materiales conductores como anillos, pulseras y llaves. La batería o el conductor puede sobrecalentarse y producir quemaduras.
- Lleve indumentaria adecuada – No lleve ropa o joyas sueltas. Pueden quedar atrapadas en las piezas móviles. Se recomienda el uso de guantes de goma y calzado resistente cuando se trabaje en el exterior. Lleve una protección capilar para sujetar el cabello largo.
- No ejerza fuerza innecesaria en su herramienta eléctrica – Hará el trabajo mejor y con menos probabilidades de sufrir lesiones a la velocidad para la que se diseñó.
- Recargue solo con el cargador especificado por el fabricante. Un cargador adecuado para un tipo de batería puede dar lugar a un riesgo de incendio cuando se usa con otra batería.
- Cuando la batería no esté en uso, manténgala alejada de otros objetos metálicos como clips, monedas, llaves, clavos, tornillos u otros objetos metálicos pequeños que puedan hacer una conexión entre los terminales. El cortocircuito de los terminales de la batería puede provocar un incendio.
- Bajo condiciones abusivas, es posible que salga líquido despedido de la batería; evite el contacto. Si se produce un contacto accidental, aclare con agua. Si el líquido entra en contacto con los ojos, acuda también al médico. El líquido despedido de la batería puede provocar irritación o quemaduras.
- No utilice una batería o una máquina que haya sufrido daños o modificaciones. Las baterías dañadas o modificadas pueden exhibir un comportamiento impredecible que puede dar lugar a un incendio, una explosión o un riesgo de lesiones.
- No exponga una batería o las herramientas eléctricas al fuego ni a temperaturas excesivas. La exposición al fuego o a una temperatura superior a 265°F (130°C) puede provocar una explosión.

### 3 PROPUESTA 65

#### ▲ AVISO

Este producto contiene una sustancia química conocida en el estado de California como causante de cáncer, defectos de nacimiento u otros daños reproductivos. El polvo generado por el lijado eléctrico, el serrado, el esmerilado, la perforación y otras actividades de construcción contiene sustancias químicas que se sabe que son causantes de cáncer, defectos de nacimiento u otros daños reproductivos. Algunos ejemplos de estas sustancias químicas son:

- Plomo de pinturas con base de plomo;
- Sílice cristalina de ladrillos y cemento y otros productos de albañilería;
- Arsénico y cromo de la madera tratada químicamente.

El riesgo de exposición a estas sustancias químicas varía según la frecuencia con la que realice este tipo de trabajo. Para reducir su exposición a estas sustancias químicas, trabaje en una zona bien ventilada y trabaje con equipos de seguridad aprobados, como máscaras antipolvo, que estén especialmente diseñadas para filtrar partículas microscópicas.

**Conservar estas instrucciones.**

### 4 SEGURIDAD INFANTIL

Pueden producirse accidentes trágicos si el operario no es consciente de la presencia de niños.

- Mantenga a los niños fuera de la zona de trabajo y bajo la vigilancia de un adulto responsable.
- No permita que niños menores de 14 años utilicen esta máquina. Los niños de 14 años y mayores deben leer y entender las instrucciones de funcionamiento y las normas de seguridad que se encuentran en este manual y deben recibir formación y supervisión por parte de uno de sus progenitores.
- Manténgase alerta y apague la máquina si un niño o cualquier otra persona entra en la zona de trabajo.
- Tenga mucho cuidado al acercarse a esquinas ciegas, portales, arbustos, árboles u otros objetos que puedan ocultar su visión de un niño que pueda correr hacia el recorrido de la máquina.

### 5 SÍMBOLOS EN EL PRODUCTO

En el producto pueden utilizarse algunos de los siguientes símbolos. Le rogamos que los estudie y aprenda su significado. La interpretación correcta de estos símbolos le permitirá manejar el producto mejor y de manera más segura.

Símbolo	Explicación
V	Tensión
A	Corriente
Hz	Frecuencia (ciclos por segundo)
	No exponga el producto a la lluvia o a condiciones de humedad.
	Tipo o una característica de corriente
	Mantenga los pies y las manos alejados de los dientes giratorios.
	Los objetos proyectados pueden rebotar y provocar lesiones personales o daños materiales. Lleve indumentaria de protección y botas.
	Precauciones que afectan a su seguridad.
	Debe leer y entender todas las instrucciones antes de manejar el producto, así como seguir todas las advertencias e instrucciones de seguridad.
	Lleve protección ocular y auditiva.
	Mantenga a los transeúntes al menos a 15 m.

## 6 NIVELES DE RIESGO

Las siguientes indicaciones y significados tienen como fin explicar los niveles de riesgo asociados a este producto.

SÍMBOLO	INDICACIÓN	SIGNIFICADO
	PELIGRO	Indica una situación de peligro inminente que, de no evitarse, provocará lesiones graves o incluso la muerte.
	ADVERTENCIA	Indica una situación de peligro potencial que, de no evitarse, podría provocar lesiones graves o incluso la muerte.

SÍMBOLO	INDICACIÓN	SIGNIFICADO
	PRECAUCIÓN	Indica una situación de peligro potencial que, de no evitarse, puede provocar lesiones leves o moderadas.
	PRECAUCIÓN	(Sin símbolo de alerta sobre seguridad) Indica una situación que puede provocar daños materiales.

## 7 ELIMINACIÓN DE BATERÍA SEGURA PARA EL MEDIO AMBIENTE



Los materiales tóxicos y corrosivos que figuran a continuación se encuentran en las baterías utilizadas en esta máquina: **ion de litio, un material tóxico.**

### ▲ AVISO

Deseche todos los materiales tóxicos de una manera especificada para evitar la contaminación del medio ambiente. Antes de desechar una batería de ion de litio dañada o agotada, contacte con la agencia local de eliminación de residuos o con la agencia de protección ambiental local para obtener información e instrucciones específicas. Lleve las baterías a un centro de reciclaje o eliminación local, certificado para la eliminación de ion de litio.



## ▲ AVISO

Si la batería se agrieta o se rompe, con o sin fugas, no la recargue ni la utilice. Deséchela y sustitúyala por una batería nueva. ¡NO INTENTE REPARARLA! Para evitar lesiones y riesgos de incendio, explosión o descarga eléctrica, y para evitar daños al medio ambiente:

- Cubra los terminales de la batería con cinta adhesiva resistente.
- NO intente retirar o destruir ninguno de los componentes de la batería.
- NO intente abrir la batería.
- Si se produce una fuga, los electrolitos liberados son corrosivos y tóxicos. NO deje que la solución entre en contacto con los ojos o la piel, y no la ingiera.
- NO deseche estas baterías con la basura doméstica normal.
- NO incinere.
- NO lleve las baterías a lugares donde formarán parte de vertederos de residuos o flujos de residuos sólidos urbanos.
- Llévelas a un centro de reciclaje o eliminación certificado.

## 8 INSTALACIÓN

## 8.1 DESEMBALAJE DE LA MÁQUINA

## ▲ AVISO

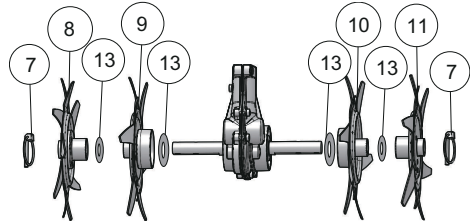
Asegúrese de montar correctamente la máquina antes del uso.

## ▲ AVISO

- Si las piezas presentan daños, no utilice la máquina.
- Si no tiene todas las piezas, no utilice la máquina.
- Si faltan piezas o hay piezas dañadas, hable con el centro de servicio.

1. Abra el embalaje.
2. Lea la documentación que se encuentra en la caja.
3. Retire todas las piezas sin montar de la caja.
4. Retire la máquina de la caja.
5. Deseche la caja y el embalaje de conformidad con los reglamentos locales.

## 8.1.1 INSTALACIÓN DE LOS DIENTES



El cultivador tiene cuatro dientes - dos dientes interiores estampados B y C y dos dientes exteriores estampados A y D. Para el correcto funcionamiento de la unidad, los dientes deben instalarse en la orientación correcta.

1. Coloque el fieltro grande a cada lado del eje de los dientes y deslice para apoyar contra el diente interior.
2. Coloque la máquina sobre una superficie plana y lisa.
3. Coloque el diente B en el eje de los dientes a la izquierda de la caja de engranajes. El lado estampado del diente debe quedar alejado de la caja de engranajes.
4. Coloque el diente C en el eje de los dientes a la derecha de la caja de engranajes. El lado estampado del diente debe quedar alejado de la caja de engranajes.
5. Coloque los insertos pequeños de fieltro a cada lado del eje de los dientes y deslice para apoyar contra el diente interior.
6. Coloque el diente exterior marcado A en el lado izquierdo del eje de los dientes. El lado estampado debe mirar hacia el diente B.
7. Coloque el diente exterior marcado D en el lado derecho del eje de los dientes. El lado marcado debe estar orientado hacia dentro al diente C.
8. Para fijar los dientes al eje de los dientes, inserte los pasadores de anillo en los orificios situados a ambos lados del eje de los dientes.

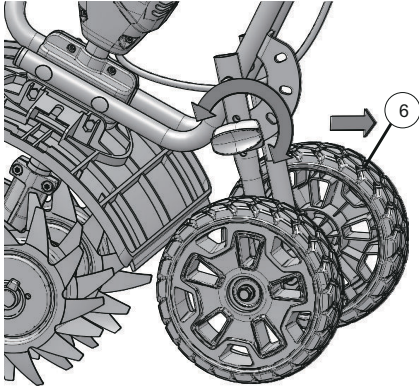
## i NOTA

La unidad no funcionará correctamente si los dientes están instalados incorrectamente. Si observa un problema con la operación de cultivo de la unidad, compruebe la colocación correcta de los dientes.

## ▲ AVISO

Los dientes y la máquina pueden sufrir daños incluso si mueve la máquina con el motor apagado. Para evitar que los dientes toquen el suelo durante el movimiento, incline la máquina.

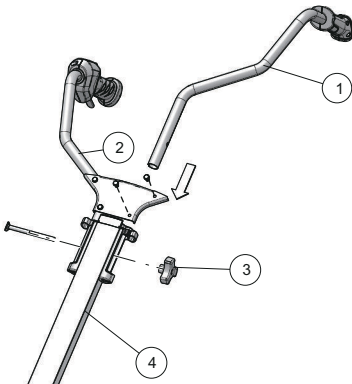
## 8.1.2 AJUSTE DE LA ALTURA DE LAS RUEDAS



Las ruedas se utilizan para controlar la profundidad de funcionamiento. Para ajustar la altura de la máquina, mueva el conjunto de las ruedas a una posición en un orificio superior o inferior.

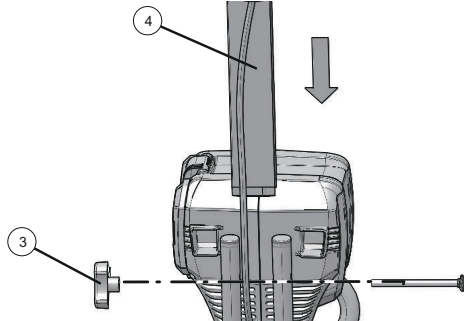
1. Tire del mando y gírelo 90°.
2. Mueva el conjunto de las ruedas al orificio deseado.
3. Gire el mando hasta que encaje en su posición.

## 8.1.3 INSTALACIÓN DEL ASA



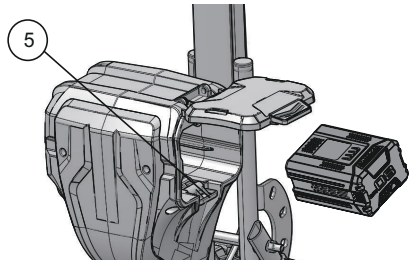
1. Inserte el asa izquierda en la barra de soporte.
2. Alinee los orificios en el panel con los orificios en el asa izquierda.
3. Inserte los tornillos en el panel y use el destornillador Phillips para apretarlos.
4. Inserte el perno a través de la parte superior de la barra de soporte.
5. Utilice la tuerca de mariposa para apretar.

## 8.1.4 INSTALACIÓN DE LA BARRA DE SOPORTE



1. Inserte la barra de soporte en la máquina.
2. Inserte el perno a través de la parte inferior de la barra de soporte.
3. Utilice las tuercas de mariposa para apretar.

## 8.1.5 INSTALACIÓN DE LA BATERÍA



### ▲ AVISO

- Si la batería o el cargador ha sufrido daños, sustituya la batería o el cargador.
- Detenga la máquina y espere hasta que el motor se pare antes de instalar o retirar la batería.
- Debe leer, conocer y seguir las instrucciones del manual de la batería y el cargador.

1. Alinee las nervaduras de elevación de la batería con las ranuras del compartimento de la batería.
2. Introduzca la batería en el compartimento de la batería hasta que encaje en su posición.
3. Cuando escuche un clic, la batería está instalada.

## 8.1.6 RETIRADA DE LA BATERÍA

1. Pulse y mantenga pulsado el botón de desbloqueo de la batería.
2. Retire la batería de la máquina.

## 9 FUNCIONAMIENTO

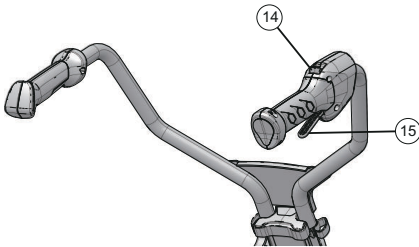
- No meta los dedos en las muescas o en posiciones donde puedan cortarse.
- No toque la cuchilla a menos que retire la batería.
- No utilice la máquina si alguna pieza ha sufrido daños o está doblada.
- Retire todos los objetos, como cordones, luces, cables o cuerdas que puedan enredarse en la cuchilla de corte y generar un riesgo de lesiones personales.

### ▲ AVISO

Si la cuchilla se atasca en un cable o línea eléctrica, ¡NO TOQUE LA CUCHILLA! PUEDE TENER CORRIENTE Y SER PELIGROSA. Realice estos pasos:

1. Sujete el asa posterior aislada o deje la máquina lejos de usted.
2. Desconecte el suministro eléctrico a la línea o cable dañado antes de intentar liberar la cuchilla.

## 9.1 PUESTA EN MARCHA DE LA MÁQUINA



1. Pulse y mantenga pulsado el botón de bloqueo de seguridad.
2. Pulse el interruptor mientras sujeta el botón de bloqueo de seguridad.
3. Suelte el botón de bloqueo de seguridad.

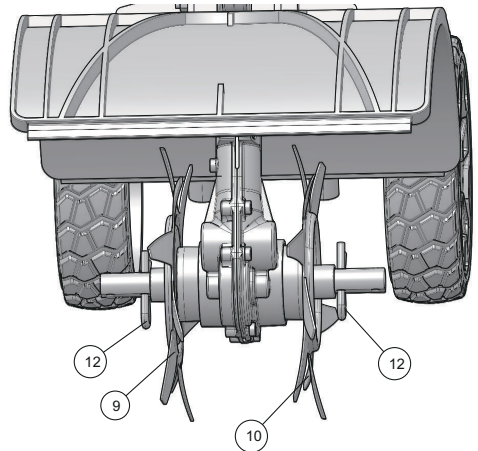
### ▲ AVISO

Sujete la máquina con las manos durante el funcionamiento.

## 9.2 DETENCIÓN DE LA MÁQUINA

1. Suelte el interruptor para detener la máquina.

## 9.3 ANCHURA DE CULTIVO ESTRECHA



Las dos cuchillas de dientes exteriores pueden retirarse de la unidad para permitir una anchura de cultivo más estrecha.

1. Retire los pasadores de anillo de los orificios en los extremos del eje de los dientes.
2. Retire los dientes exteriores y los feltros del eje de los dientes.
3. Coloque los pasadores de enganche en los orificios.

## 9.4 CONSEJOS DE FUNCIONAMIENTO

El cultivador puede utilizarse para disgregar la tierra del jardín y preparar un semillero para plantar. Planifique con antelación para dejar suficiente espacio entre las hileras de semillas para permitir el cultivo a máquina después de que las plantas hayan crecido.

1. Puede que sea necesario pasar varias veces sobre el mismo surco para alcanzar la profundidad deseada. No intente cavar demasiado profundo en la primera pasada.
2. Si la máquina salta o gira, deje que la unidad avance a una velocidad ligeramente más rápida o instale el conjunto de las ruedas.
3. Si el cultivador se queda y cava en un lugar, intente moverlo de lado a lado para que empiece a avanzar nuevamente.
4. Si la tierra está muy compactada, riegue unos días antes de cultivar. Evite trabajar la tierra cuando esté húmeda o mojada. Espere uno o dos días después de fuertes lluvias para que la tierra se seque.

- El cultivo superficial de menos de 5 cm. puede utilizarse para quitar las malas hierbas y airear la tierra, sin dañar las raíces de las plantas cercanas. Debe hacerse con frecuencia para que no crezcan las malas hierbas y produzcan enredos en los dientes de la unidad.

ES

## 10 MANTENIMIENTO

### ▲ PRECAUCIÓN

No permita que líquidos de frenos, gasolina y otros derivados del petróleo toquen las piezas de plástico. Las sustancias químicas pueden dañar el plástico y hacer que quede inservible.

### ▲ PRECAUCIÓN

No utilice disolventes o detergentes fuertes en la carcasa o los componentes de plástico.

### ▲ AVISO

Retire la batería de la máquina antes de realizar tareas de mantenimiento.

### 10.1 LIMPIEZA DE LA MÁQUINA

#### ▲ AVISO

Mantenga la máquina y el motor libres de hojas, ramas o exceso de aceite para evitar riesgos de incendio.

- Utilice un paño húmedo con un detergente suave para limpiar la máquina.
- Limpie toda la humedad con un paño suave y seco.
- Utilice un cepillo pequeño para limpiar los orificios de ventilación.

### 10.2 LUBRICACIÓN DE LA CUCHILLA

Para aumentar la eficiencia y la duración de las cuchillas, lubríquelas cuidadosamente tras cada sesión de trabajo:

- Coloque la máquina sobre una superficie plana y lisa.
- Utilice un paño suave para limpiar las cuchillas y un cepillo para eliminar más suciedad.
- Utilice una capa ligera de aceite para lubricar las cuchillas a lo largo del filo superior de la cuchilla.

### ¡ NOTA

Recomendamos utilizar aceite de tipo no contaminante.

## 11 ALMACENAMIENTO DE LA MÁQUINA

### ¡ NOTA

Limpie la máquina antes del almacenamiento.

- Retire la batería.
- Deje que el motor se enfríe.
- Compruebe que no haya componentes sueltos o dañados. En caso necesario, sustituya los componentes dañados, apriete los tornillos y los pernos o consulte con una persona de un centro de servicio autorizado.
- Almacene la máquina en un lugar fresco y seco.

## 12 SOLUCIÓN DE PROBLEMAS

Problema	Posible causa	Solución
El motor se apaga mientras trabaja.	La batería no se ha instalado bien.	Asegúrese de que ha instalado bien la batería en la máquina.
	La batería se ha agotado.	Cargue la batería.
	La máquina ha sufrido daños.	No utilice la máquina y consulte con un centro de servicio.
La máquina echa humo durante el funcionamiento.	La máquina ha sufrido daños.	<ol style="list-style-type: none"> <li>Detenga la máquina inmediatamente.</li> <li>Retire la batería.</li> <li>Consulte con un centro de servicio.</li> </ol>
El motor funciona pero los dientes no se mueven.	La máquina ha sufrido daños.	No utilice la máquina y consulte con un centro de servicio.
	Los dientes están bloqueados.	Retire la batería, posteriormente elimine el bloqueo de los dientes.
	Fallo del tren de engranajes.	Consulte con un centro de servicio.

## 13 DATOS TÉCNICOS

Tensión	82 V
---------	------

Velocidad sin carga	200 (±5%) RPM
Surco de cultivo	10 in. (25 cm)
Peso (sin batería)	25.4 lbs. (11.5 kg)

## 14 GARANTÍA LIMITADA



Por la presente Greenworks garantiza este producto, al comprador original con el comprobante de compra, garantía de 2 años para el grupo motopropulsor comercial, garantía de 2 años para la batería comercial frente a defectos en materiales, piezas o mano de obra. A su entera discreción Greenworks reparará o sustituirá cualquiera y todas las piezas que resulten ser defectuosas, con un uso normal, sin coste alguno para el cliente. Esta garantía es válida únicamente para unidades que se hayan utilizado para uso personal que no han sido arrendadas o alquiladas para uso industrial/comercial y cuyo mantenimiento se ha realizado de acuerdo con las instrucciones del manual del propietario suministrado con el producto nuevo.

### COBERTURA DE GARANTÍA LIMITADA DE 2 AÑOS DEL GRUPO MOTOPROPULSOR:

- Motor
- Placas de circuitos impresos
- Caja de engranajes
- 2 años desde la fecha de compra (no transferible)

### COBERTURA DE GARANTÍA LIMITADA DE 2 AÑOS DE LA BATERÍA:

- Baterías comerciales de Greenworks (GL 200, GL 250, GL 300, GL 400, GL 500, GL 900)
- 2 años desde la fecha de compra (no transferible)

### COBERTURA DE GARANTÍA LIMITADA DE 60 DÍAS DE PIEZAS DE DESGASTE:

- Barras
- Cuchillas
- Protecciones
- Cadenas
- Cabezales de avance por sacudida
- Dientes
- 60 días desde la fecha de compra (no transferible)

### EXCLUSIONES DE GARANTÍA, LIMITACIONES Y DERECHOS:

1. Las garantías no pueden ser transferidas por el consumidor a otros compradores posteriores.
2. Piezas o componentes no suministrados por el garante, o piezas o componentes que hayan sido modificados.
3. Cualquier fallo debido al uso de herramientas inadecuadas o procedimientos de reparación inadecuados.
4. Cualquier fallo debido al uso de herramientas inadecuadas o procedimientos de reparación inadecuados.
5. Cualquier fallo o pieza que deje de funcionar debido a accidente, impacto, abuso, mal uso, negligencia, manejo inadecuado, desafilado de los filos de corte o en caso de no utilizar el producto de acuerdo con la información proporcionada en el manual de instrucciones suministrado con el producto.
6. Artículos de mantenimiento de rutina tales como lubricantes, afilado de cuchillas.
7. La unidad, si no ha sido utilizada o mantenida de acuerdo con el manual del propietario.
8. La unidad, si no ha sido utilizada o mantenida de acuerdo con el manual del propietario.

### LÍNEA DE ASISTENCIA TELEFÓNICA DE GREENWORKS:

Puede contactar con el servicio de garantía llamando a nuestra línea de asistencia telefónica gratuita, a 1-855-470-4267.

### COSTES DE TRANSPORTE:

Los costes de transporte por el desplazamiento de cualquier unidad o accesorio de equipos eléctricos son responsabilidad del comprador. Es responsabilidad del comprador pagar los costes de transporte de cualquier pieza enviada para su sustitución bajo esta garantía, a menos que dicha devolución sea solicitada por escrito por Greenworks.

**Greenworks Tools**

**P. O. Box 1238**

**Mooresville, NC 28115**





