

# GREENWORKS

## COMMERCIAL

82SP21M

EN

MOWER

OPERATOR MANUAL

FR

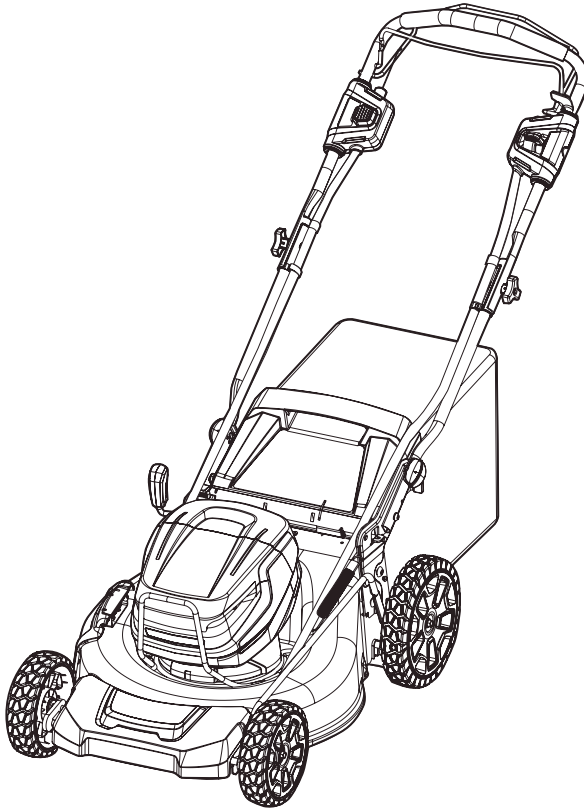
TONDEUSE

MANUEL D'UTILISATION

ES

CORTACÉSPED

MANUAL DEL OPERADOR



LMB436

[www.greenworkscommercial.com](http://www.greenworkscommercial.com)

[www.shopgreenworksgear.com](http://www.shopgreenworksgear.com)

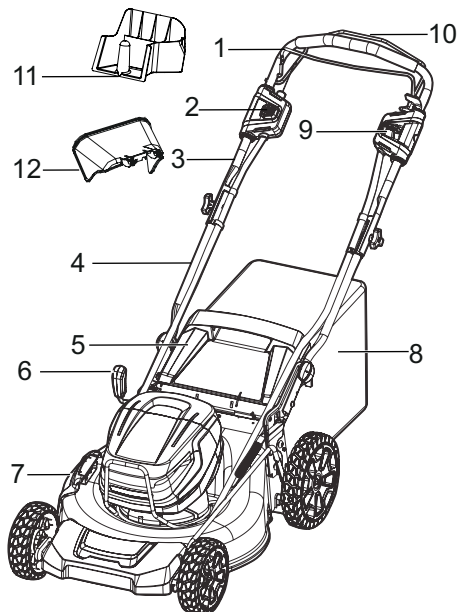


<b>1 Purpose.....</b>	<b>4</b>	9.6	Install the side discharge chute.....	9
<b>2 Overview.....</b>	<b>4</b>	9.7	Set the blade height.....	10
<b>3 Packing list.....</b>	<b>4</b>	9.8	Install the battery pack.....	10
<b>4 Read all instructions.....</b>	<b>4</b>	9.9	Remove the battery pack.....	10
4.1 Children and Bystanders.....	4	<b>10 Operation.....</b>	<b>10</b>	
4.2 General Operation.....	4	10.1	Start the machine.....	11
4.3 Slope Operation.....	6	10.2	Stop the machine.....	11
4.4 Service/Maintenance.....	6	10.3	Operate the self-propel drive system.....	11
<b>5 Symbols on the product.....</b>	<b>7</b>	10.4	Empty the grass catcher.....	11
<b>6 Risk levels.....</b>	<b>7</b>	10.5	Operate on slopes.....	12
<b>7 Environmentally safe battery disposal.....</b>	<b>7</b>	10.6	Operation tips.....	12
<b>8 Proposition 65.....</b>	<b>8</b>	<b>11 Maintenance.....</b>	<b>12</b>	
<b>9 Installation.....</b>	<b>8</b>	11.1	General maintenance.....	12
9.1 Unpack the machine.....	8	11.2	Replace the blade.....	12
9.2 Unfold the lower handle.....	8	11.3	Store the machine.....	13
9.3 Install the upper handle .....	9	11.4	Stand the machine on end.....	13
9.4 Install the grass catcher.....	9	<b>12 Troubleshooting.....</b>	<b>13</b>	
9.5 Install the mulch plug.....	9	<b>13 Technical data.....</b>	<b>14</b>	
		<b>14 Limited warranty.....</b>	<b>14</b>	

## 1 PURPOSE

This machine is used for domestic lawn mowing. The cutting blade must be approximately parallel to the ground. All four wheels must touch the ground while you mow.

## 2 OVERVIEW



- |    |                         |
|----|-------------------------|
| 1  | Bail switch             |
| 2  | Start button            |
| 3  | Upper handle            |
| 4  | Lower handle            |
| 5  | Rear discharge door     |
| 6  | Height adjustment lever |
| 7  | Side discharge cover    |
| 8  | Grass catcher           |
| 9  | Speed control button    |
| 10 | Self-drive propel lever |
| 11 | Mulch plug              |
| 12 | Side discharge chute    |

## 3 PACKING LIST

- |   |               |   |                      |
|---|---------------|---|----------------------|
| 1 | Lawn mower    | 3 | Side discharge chute |
| 2 | Grass catcher | 4 | Manual               |

## 4 READ ALL INSTRUCTIONS

### ▲ DANGER

This machine was built to be operated according to the rules for safe operation included in this manual. As with any type of power equipment, carelessness or error on the part of the operator can result in serious injury. This machine is capable of amputating hands and feet and throwing objects. Failure to observe all safety instructions could result in serious injury or death.

### i NOTE

When using electric lawn mowers, basic safety precautions should always be followed to reduce the risk of fire, electric shock, and personal injury. These basic precautions include the following:

### 4.1 CHILDREN AND BYSTANDERS

Tragic accidents can occur if the operator is not alert to the presence of children or bystanders.

- Keep the area of operation clear of all persons, particularly small children, and pets.
- Use extreme care when approaching blind corners, doorways, shrubs, trees, or other objects that may obscure your vision of a child or bystander. Keep children, bystanders, helpers and pets at least 100 feet (30m) from the mower while it is in operation. Stop the machine if anyone enters the area.
- Never allow children under 14 years old to operate a power mower. Operators 14 years old and over should fully read and understand the operator's manual and safety rules. Only responsible individuals who are familiar with these rules of safe operation should be allowed to use this machine.

### 4.2 GENERAL OPERATION

- Read this operator's manual carefully in its entirety before assembling or operating this machine. Read, understand, and follow all instructions on the machine and in the manuals before operation. Familiarize yourself with the controls and proper use of this machine before operation. Save this manual for future and regular reference.
- Do not use the lawn mower for any job except that for which it is intended. Your lawn mower has been designed to perform only one job: cut grass.
- Never attempt to make a wheel height adjustment while the motor is running.
- Don't force the lawn mower, it will do the job better and more safely at the rate for which it was designed.
- Don't overreach, keep proper footing and balance at all times. Many injuries occur as a result of the mower being pulled over the foot during a fall caused by slipping or tripping. A slip and fall can cause serious personal injury. If you feel you are losing your footing, release the control

handle immediately and the blade will stop rotating within three seconds.

- Thoroughly inspect the area where the equipment is to be used and remove all stones, sticks, wires, bones, and other foreign objects.
- Prevent unintentional starting. Ensure the switch is in the off-position before connecting to battery pack, picking up or carrying the appliance. Carrying the appliance with your finger on the switch or energizing appliance that have the switch on invites accidents.
- Never pull the mower back toward you while you are walking. If you must back the mower away from a wall or obstruction, first look down and behind you to avoid tripping, and then follow these steps:
  - Step back from the mower in order to fully extend your arms.
  - Be sure that you are well balanced.
  - Pull the mower back slowly.
- Disconnect the battery pack from the appliance before making any adjustments, changing accessories, or storing appliance. Such preventive safety measures reduce the risk of starting the appliance accidentally.
- Before and while moving backwards with the mower, look behind and down for small children and other people.
- Do not operate the mower while under the influence of alcohol or drugs. Stay alert and watch what you are doing at all times. Use common sense and do not operate the lawn mower when you are tired.
- Always wear safety glasses or safety goggles during operation and while performing an adjustment or repair to protect your eyes. Thrown objects that ricochet can cause serious injury to the eyes. Always use a face or dust mask if the operation is dusty.
- Keep clear of the discharge opening at all times. Do not put hands or feet near rotating parts or under the cutting deck. Contact with the blade can amputate hands and feet.
- Plan your mowing pattern to avoid discharge of material toward roads, sidewalks, bystanders and the like. Also, avoid discharging material against walls or obstructions, which may cause discharged material to ricochet back toward the operator.
- To help avoid the blade or an injury from a thrown object, stay in the operator zone behind the handles.
- A missing or damaged discharge cover can cause blade contact or injuries from thrown objects.
- Objects struck by the lawn mower blade can cause severe injuries to persons. The lawn should always be carefully examined and cleared of all objects prior to each mowing.
- Stop the blade when crossing gravel drives, walks or roads.
- Follow all charging instructions and do not charge the battery pack or appliance outside of the temperature range specified in the instructions. Charging improperly or at temperatures outside of the specified range may damage the battery and increase the risk of fire.
- If lawn mower strikes a foreign object, follow these steps:
  - Release the bail switch to disengage the motor.
  - Remove the battery.
  - Inspect for damage.
  - Repair any damaged parts before restarting and operating the lawn mower.
- Have servicing performed by a qualified repair person using only identical replacement parts. This will ensure that the safety of the product is maintained.
- Dress properly, do not wear loose clothing or jewelry that can be caught in moving parts. Use of safety gloves and proper footwear is recommended when working outdoors. Wear sturdy, rough-soled work shoes and close-fitting slacks and shirts. Shirts and pants that cover the arms and legs and steel-toed shoes are recommended. Never operate this machine in bare feet, sandals, slippery or lightweight (e.g., canvas) shoes.
- Do not modify or attempt to repair the appliance or the battery pack (as applicable) except as indicated in the instructions for use and care.
- Wear protective hair covering to contain long hair.
- Avoid dangerous environments, do not use the lawn mower in damp/wet locations or if it is raining.
- Store Idle Lawn Mower Indoors – When not in use, appliances should be stored indoors in dry, and high or locked-up place – out of reach of children. Always remove the battery from the mower before storing.
- Mow only in daylight or good artificial light. Walk, never run while operating.
- If the equipment should start to vibrate abnormally, immediately stop the motor, remove the battery and check for the cause. Vibration is generally a warning that the machine is not functioning properly.
- Check bag frequently for deterioration and wear, and replace worn bags. Check that replacement bags comply with the original manufacturer's recommendations or specifications.
- Before cleaning the machine, unclogging or removing the grass bag, mulching insert, or side discharge chute, turn the motor off and wait until the blade comes to a complete stop, then remove the battery pack. The cutting blade continues to rotate for a few seconds after the motor is shut off. Never perform these functions until you are sure the blade has stopped rotating.
- Keep cutting edges clean and sharp to ensure best performance.
- Periodically inspect safety devices and cords for damage. If damaged do not operate the unit until it has been repaired by an authorized service professional.
- Never operate the mower without the proper discharge cover, grass bag, mulching insert, side discharge chute, or other safety devices in place and working. Never operate the mower with damaged safety devices. Failure to do so can result in personal injury.
- Use only approved batteries and chargers. Non approved batteries and chargers may cause damage to the mower or injure the operator.

- Do not dispose of the battery in a fire. The cells could catch fire or explode. Check with local codes and waste management for proper disposal instructions.
- When battery pack is not in use, keep it away from other metal objects, like paper clips, coins, keys, nails, screws or other small metal objects, that can make a connection from one terminal to another. Shorting the battery terminals together may cause burns or a fire.
- Do not open or mutilate the battery. Electrolytes contained within the battery are corrosive and may cause damage to eyes or skin if released. It may be toxic if swallowed.
- Under abusive conditions, liquid may be ejected from the battery; avoid contact. If contact accidentally occurs, flush with water. If liquid contacts eyes, additionally seek medical help. Liquid ejected from the battery may cause irritation or burns.
- Do not expose a battery pack or appliance to fire or excessive temperature. Exposure to fire or temperature above 130°C may cause explosion.
- Exercise care in handling batteries to avoid shorting the battery with conducting materials such as rings, bracelets, keys, etc. The battery or conductor may overheat and cause burns if contact with said materials is made.
- Do not use a battery pack or appliance that is damaged or modified. Damaged or modified batteries may exhibit unpredictable behavior resulting in fire, explosion or risk of injury.
- Keep all nuts, bolts, and screws tight in order to ensure the equipment is in safe working condition.
- Do not wash with a hose; avoid getting water in motor and electrical connections.
- Never remove or tamper with safety devices. Check their proper operation regularly. Never do anything to interfere with the intended function of a safety device or to reduce the protection provided by a safety device.
- Keep machine free of grass, leaves, or other debris build up. Allow machine to cool before storing.
- Never make any adjustments or repairs with the motor running.
- Always remove battery pack from mowers before adjusting, cleaning, or repairing.
- Check grass catcher components and the discharge guard frequently and replace with manufacturer's recommended parts, when necessary.
- Sharpen a dull blade equally at each end to maintain the balance.
- Keep guards in place and in working order. Mower blades are sharp, and can cut. Wrap the blades or wear gloves, and use extra caution when servicing.
- Clean the blade thoroughly and check its balance by supporting it horizontally on a thin nail through its center hole. The nail should also be in a horizontal position. If either end of the blade rotates downward, remove some metal from the heavy or lower end until the blade is balanced. It is balanced when neither end drops.
- Use identical replacement blades only.
- Maintain Lawn Mower With Care – Keep cutting edges sharp and clean for best and safest performance. Follow instructions for lubricating and changing accessories. Inspect lawn mower cord periodically and if damaged, have it repaired by an authorized service facility.
- If situations occur that are not covered in this manual, use care and good judgment or contact Customer Service for assistance.
- Never operate the mower without proper guards, plates, or other safety protective devices in place.

### 4.3 SLOPE OPERATION

Slopes are a major factor related to slip-and-fall accidents, which can result in severe injury. Operation on slopes requires extra caution. If you feel uneasy on a slope, do not mow it.

Do:

- Mow across the face of slopes; never mow up and down. Exercise extreme caution when changing direction on slopes.
- Watch for holes, ruts, rocks, hidden objects, or bumps which can cause you to slip or trip. Tall grass can hide obstacles.

Do not:

- Mow excessively steep slopes.
- Mow near drop-offs, ditches or embankments; you could lose your footing or balance.
- Mow slopes greater than 15 degrees.
- Mow on wet grass. Unstable footing could cause slipping.

### 4.4 SERVICE/MAINTENANCE










- Check the blade and the motor (machine) mounting bolts at frequent intervals for proper tightness.
- Replace the blade if it is bent or cracked. An unbalanced blade causes vibration that could damage the motor drive unit or cause personal injury.




#### The recommended ambient temperature range:

Item	Temperature
Mower storage temperature range	32°F (0°C) - 113°F (45°C)
Mower operation temperature range	32°F (0°C) - 113°F (45°C)
Battery charging temperature range	39°F (4°C) - 104°F (40°C)
Charger operation temperature range	39°F (4°C) - 104°F (40°C)
Battery storage temperature range	32°F (0°C) - 113°F (45°C)
Battery discharging temperature range	32°F (0°C) - 113°F (45°C)

## 5 SYMBOLS ON THE PRODUCT




Some of the following symbols may be used on this tool. Please study them and learn their meaning. Proper interpretation of these symbols will allow you to operate the tool better and safer.

Symbol	Name	Explanation
V	Volt	Voltage
A	Amperes	Current
Hz	Hertz	Frequency (cycles per second)
W	Watt	Power
min	Minutes	Time
/min	Per Minute	Revolutions, strokes, surface speed, orbits etc., per minute
	Alternating Current	Type of current
	Direct Current	Type or a characteristic of current
$n_0$	No Load Speed	Rotational speed, at no load
	Safety Alert	Precautions that involve your safety.
	Eye Protection	Always wear eye protection with side shields marked to comply with ANSI Z87.1 when operating this equipment.
	WARNING --- Wet Conditions	Do not expose the product to rain or moist conditions.
	Read Operator's Manual	To reduce the risk of injury, user must read and understand operator's manual before using this product.
	Maintain Safety Devices	Do not open or remove safety devices while the tool is running.
	Looking Behind While Backing	Look down and behind first to avoid tripping when pulling back.
	DANGER --- Keep Hands and Feet Away	To reduce the risk of injury, keep hands and feet away from rotating parts. Do not operate unless discharge cover or grass bag is in its proper place. If damaged, replace immediately.

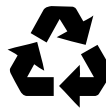
Symbol	Name	Explanation
	DANGER --- Keep Bystanders Away	All visitors should be kept at a distance from work area.
	DANGER --- Thrown Debris	Remove objects that can be thrown by the blade in any direction. Wear safety glasses.
	DANGER --- Steep Slope Hazard	Use extra caution on slopes. Do not mow slopes greater than 15 degrees.

## 6 RISK LEVELS

The following signal words and meanings are intended to explain the levels of risk associated with this product.

SYMBOL	SIGNAL	MEANING
	DANGER	Indicates an imminently hazardous situation, which, if not avoided, will result in death or serious injury.
	WARNING	Indicates a potentially hazardous situation, which, if not avoided, could result in death or serious injury.
	CAUTION	Indicates a potentially hazardous situation, which, if not avoided, may result in minor or moderate injury.
	CAUTION	(Without Safety Alert Symbol) Indicates a situation that may result in property damage.

## 7 ENVIRONMENTALLY SAFE BATTERY DISPOSAL



The toxic and corrosive materials below are in the batteries used in this machine: **Lithium-Ion, a toxic material.**

**▲ WARNING**

Discard all toxic materials in a specified manner to prevent contamination of the environment. Before discarding damaged or worn out Li-ion battery, contact your local waste disposal agency, or the local Environmental Protection Agency for information and specific instructions. Take the batteries to a local recycling and/or disposal center, certified for lithium-ion disposal.

**▲ WARNING**

If the battery pack cracks or breaks, with or without leaks, do not recharge it and do not use. Discard it and replace with a new battery pack. **DO NOT TRY TO REPAIR IT!** To prevent injury and risk of fire, explosion, or electric shock, and to avoid damage to the environment:

- Cover the terminals of the battery with heavy-duty adhesive tape.
- **DO NOT** try to remove or destroy any of the battery pack components.
- **DO NOT** try to open the battery pack.
- If a leak develops, the released electrolytes are corrosive and toxic. **DO NOT** get the solution in the eyes or on skin, and do not swallow it.
- **DO NOT** put these batteries in your regular household trash.
- **DO NOT** incinerate.
- **DO NOT** put them where they will become part of any waste landfill or municipal solid waste stream.
- Take them to a certified recycling or disposal center.

**8 PROPOSITION 65****▲ WARNING**

This product contains a chemical known to the state of California to cause cancer, birth defects or other reproductive harm. Some dust created by power sanding, sawing, grinding, drilling, and other construction activities contains chemicals known to cause cancer, birth defects or other reproductive harm. Some examples of these chemicals are:

- Lead from lead-based paints;
- Crystalline silica from bricks and cement and other masonry products;
- Arsenic and chromium from chemically treated lumber.

Your risk of exposure to these chemicals varies depending on how often you do this type of work. To reduce your exposure to these chemicals, work in a well-ventilated area, and work with approved safety equipment, such as dust masks that are specially designed to filter out microscopic particles.

**Save these instructions.**

**9 INSTALLATION****▲ WARNING**

Do not change or make accessories that are not recommended by the manufacturer.

**▲ WARNING**

Do not put in the safety key or the battery pack until you assemble all the parts.

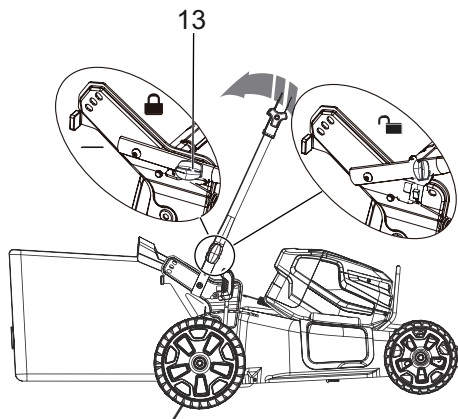
**9.1 UNPACK THE MACHINE****▲ WARNING**

Make sure that you correctly assemble the machine before use.

**▲ WARNING**

- If the parts are damaged, do not use the machine.
- If you do not have all the parts, do not operate the machine.
- If the parts are damaged or missing, speak to the service center.

1. Open the package.
2. Read the documentation in the box.
3. Remove all the unassembled parts from the box.
4. Remove the machine from the box.
5. Discard the box and package in compliance with local regulations.

**9.2 UNFOLD THE LOWER HANDLE**

1. Pull and turn the handle knobs (13) 90°.
2. Unfold the lower handle.



- Line up the handle knobs in one of the three positions on the brackets.
- Turn the handle knobs 90° until they engage the holes in the brackets.

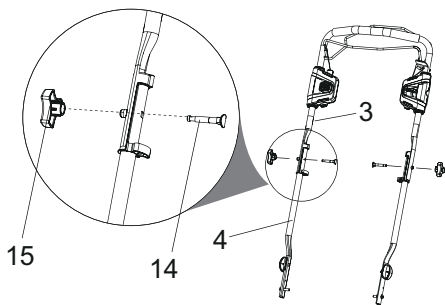
### **i** NOTE

Make sure that the two handle knobs are in the same position.

### **▲** WARNING

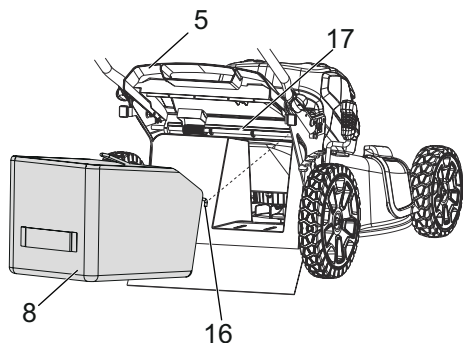
Do not damage or pinch the cables when you fold or unfold the handle.

## 9.3 INSTALL THE UPPER HANDLE



- Align the holes in the upper handle (3) and the lower handle (4).
- Put the bolts (14) through the holes.
- Tighten the knobs (15) onto the bolts.
- Do the same operation on the other side.

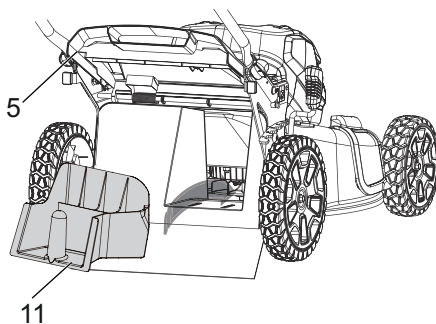
## 9.4 INSTALL THE GRASS CATCHER



- Remove the mulch plug.
- Remove the side discharge chute.
- Open the rear discharge door (5) and hold it.

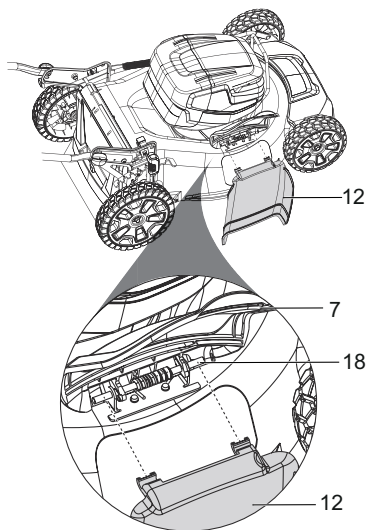
- Hold the the grass catcher (8) by its handle and engage the hooks (16) on the door rod (17).
- Close the rear discharge door.

## 9.5 INSTALL THE MULCH PLUG



- Remove the grass catcher.
- Open the rear discharge door (5) and hold it.
- Hold the mulch plug (11) by its handle and fit it in the discharge chute.
- Close the rear discharge door.

## 9.6 INSTALL THE SIDE DISCHARGE CHUTE



- Remove the mulch plug.
- Remove the side discharge chute.
- Open the rear discharge door (5) and hold it.

**▲ CAUTION**

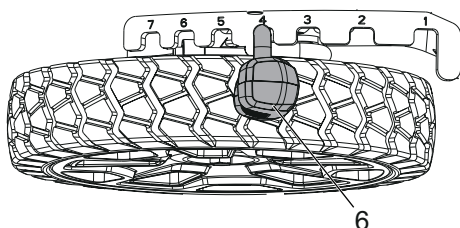
When you use the side discharge chute,

- do not install the grass catcher.
- keep the mulch plug installed.

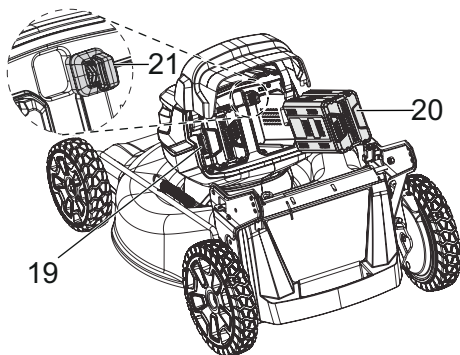
1. Open the side discharge door (7) and hold it.
2. Line up the recesses of the side discharge chute (12) below the pivot (18).
3. Close the side discharge door.

**9.7 SET THE BLADE HEIGHT**

The machine can be set to different blade heights.



1. Pull the height adjustment lever (6) rearward to increase the blade height.
2. Pull the height adjustment lever forward to decrease the blade height.

**9.8 INSTALL THE BATTERY PACK****▲ WARNING**

- If the battery pack or charger is damaged, replace the battery pack or the charger.
- Stop the machine and wait until the engine stops before you install or remove the battery pack.
- Read, know, and follow the instructions in the battery and charger manual.

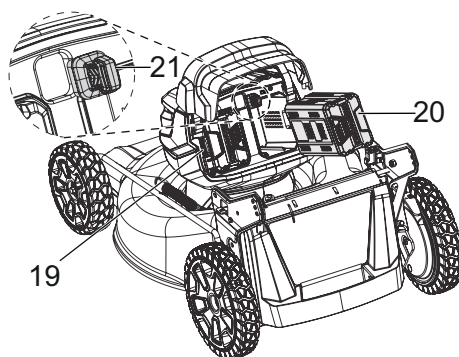
**i NOTE**

The machine has a battery storage compartment that helps store the battery pack.

1. Open the battery door.
2. Align the lift ribs on the battery pack(20) with the grooves in the battery compartment.
3. Push the battery pack into the battery compartment until the battery pack locks into place.
4. When you hear a click, the battery pack is installed.
5. Close the battery door.

**i NOTE**

The engine starts only when you put in the safety key (21).

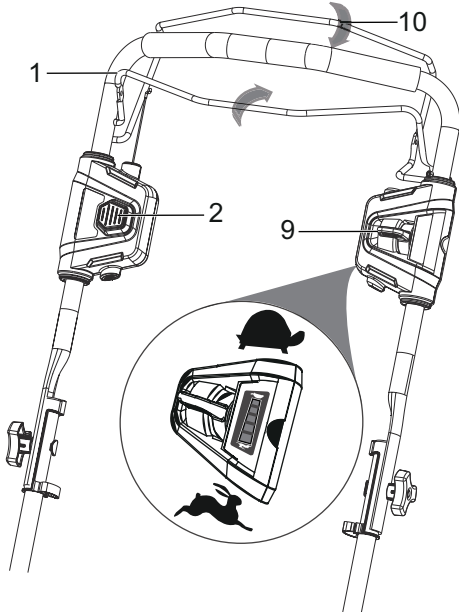
**9.9 REMOVE THE BATTERY PACK**

1. Open the battery door.
2. Push and hold the battery release button (19).
3. Remove the battery pack from the machine.

**10 OPERATION****▲ WARNING**

Wear eye protection during operation.

## 10.1 START THE MACHINE



1. Push and hold the start button (2).
2. While you hold the start button, pull the bail switch (1) in the direction of the handle bar.
3. Once the machine has started you can release the start button.

## 10.2 STOP THE MACHINE

1. Release the bail switch to stop the machine.

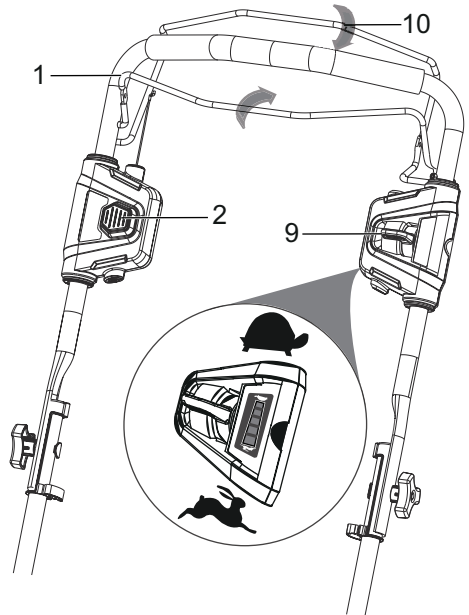
### ▲ WARNING

Wait until the blades fully stop before you start the machine again. Do not quickly turn the machine off and on.

### ▲ WARNING

Always remove the battery pack after you complete the work.

## 10.3 OPERATE THE SELF-PROPEL DRIVE SYSTEM



1. Start the machine.
2. While you hold the bail switch (1), pull the self-propel lever (10) in the direction of the handle bar.
3. Hold the bail switch and the self-propel lever at the same time with your right hand.
4. Adjust the speed control button (9) with your left hand.
  - Push the speed control button in the direction of the Rabbit Symbol to increase the speed.
  - Pull the speed control button in the direction of the Turtle Symbol to decrease the speed.
5. Release the self-propel lever to close the self-propel system.

**To engage the self-propel drive system while the mower is not running:**

- Pull the self propel lever (10) upward to the handle.

**To disengage the self-propel drive system while the mower is not running:**

- Release the self propel lever.

## 10.4 EMPTY THE GRASS CATCHER

1. Stop the machine.
2. Remove the battery pack.
3. Open the rear discharge door and hold it.

4. Hold the grass catcher by its handle and unhook it from the door rod.
5. Close the rear discharge door.
6. Empty the grass catcher.

## 10.5 OPERATE ON SLOPES

### ▲ WARNING

Do not mow on the slopes with incline more than 15°. If you are not comfortable, do not mow on a slope.

### ▲ WARNING

Please keep a low self-propelled speed when you mow on a slope.

- Do not go up and down on a slope, mow across the face of the slope. Be careful when you change the direction on a slope.
- Monitor the holes, ruts, rocks, and other hidden objects that can cause you to fall. Remove all obstacles such as rocks and tree limbs.
- Make sure that your footing is stable. If you are out of balance, release the bail switch immediately.
- Do not mow near drop-offs, ditches, or embankments.

## 10.6 OPERATION TIPS

- Do not try to override the operation of the start button or bail switch.
- Do not tilt the machine when you start it.
- Do not put hands or feet near or below the turning parts.
- Keep the discharge chute clean.
- Do not cut wet grass.
- Higher blade height is necessary for new or thick grass.
- Clean the bottom of the mower deck after each use. Remove grass clippings, leaves, dirt, and other debris.

## 11 MAINTENANCE

### ▲ WARNING

Remove the safety key and battery pack from the machine before maintenance.

### ▲ WARNING

Keep the motor and battery pack free from grass, leaves or too much grease.

### ▲ CAUTION

Use only approved replacement parts.

### ▲ CAUTION

Do not let brake fluids, gasoline, petroleum-based materials touch the plastic parts. Chemicals can cause damage to the plastic, and make the plastic unserviceable.

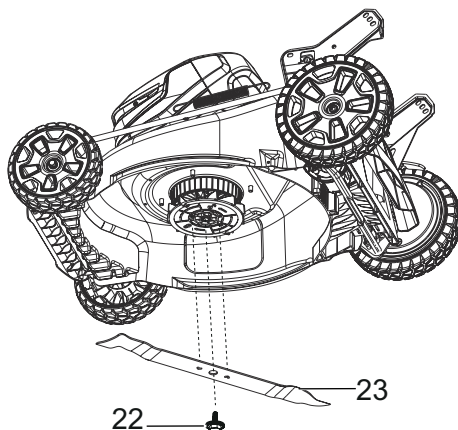
### ▲ CAUTION

Do not use strong solvents or detergents on the plastic housing or components.

## 11.1 GENERAL MAINTENANCE

- Before each use, examine the machine for damaged, missing, or loose parts such as screws, nuts, bolts and caps.
- Tighten correctly all the fasteners and caps.
- Clean the machine with a dry cloth. Do not use water.

## 11.2 REPLACE THE BLADE



### ▲ WARNING

Use only approved replacement blades.

### ▲ WARNING

Wear heavy gloves or wind cloth around the blade when you touch the blade.

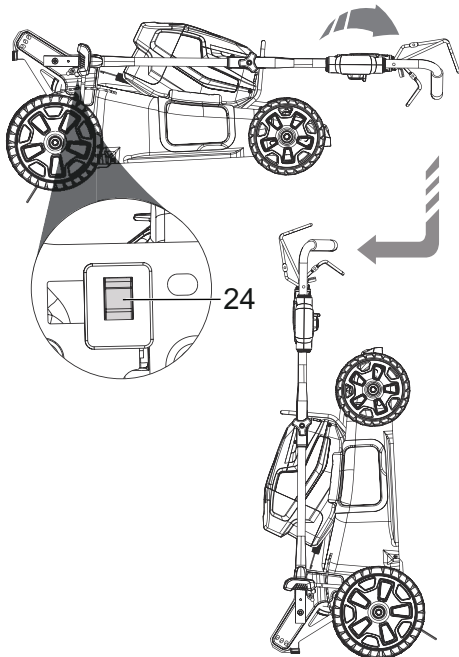
1. Stop the machine.
2. Make sure that the blade fully stops.
3. Remove the battery pack.
4. Turn the machine to its side.
5. Use a piece of wood to prevent the movement of the blade.
6. Remove the mounting screw (22) with a wrench or socket.
7. Remove the blade (23).

8. Position a new blade with the cutting edges toward the ground. Make sure the arrows engage the holes on the blade.
9. Tighten the mounting screw.

### 11.3 STORE THE MACHINE

- Clean the machine before storage.
- Make sure the motor is not hot when you store the machine.
- Make sure that the machine does not have loose or damaged parts. If it is necessary, do these steps/instructions:
  - Replace the damaged parts.
  - Tighten the bolts.
  - Speak to a person at an approved service center.
- Store the machine in a dry area.
- Make sure that children cannot come near the machine.

### 11.4 STAND THE MACHINE ON END



1. Remove the grass catcher.
2. Pull and turn the handle knobs 90°.
3. Fold down the handle.
4. Turn the handle knobs 90° to lock the handle into position.

5. Stand the machine on end and make sure that the brackets touch the floor.

#### Storage Switch

The machine has a storage switch (24) that prevents its startup in the storage position.

It is necessary to remove the safety key and the battery pack to prevent accidental startup or unapproved use. The storage switch does not replace this function.


## 12 TROUBLESHOOTING

Problem	Possible cause	Solution
The handle is not in position.	The bolts are not engaged correctly.	Adjust the height of the handle and make sure that the knobs and bolts are aligned correctly.
The machine does not start.	The battery capacity is low.	Charge the battery pack.
	The bail switch is defective.	Replace the bail switch.
	The battery key is not put in.	Put in the battery key.
The machine cuts grass unevenly.	The lawn is rough.	Examine the mowing area.
	The blade height is not set correctly.	Move the wheels to a higher position.
The machine does not mulch correctly.	Wet grass clippings attach to the deck.	Wait until the grass dries before mowing.
	The mulch plug is missing.	Install the mulch plug.
The machine is hard to push.	The grass is too tall, or the blade height is too low.	Increase the blade height.
	The grass catcher and the blade drags in thick grass.	Empty the grass clippings from the grass catcher.

Problem	Possible cause	Solution
There is a high vibration in the machine.	The blade is unbalanced and worn.	Replace the blade.
	The motor shaft is bent.	<ol style="list-style-type: none"> <li>1. Stop the motor.</li> <li>2. Remove the safety key and battery pack.</li> <li>3. Disconnect the power source.</li> <li>4. Inspect for damage.</li> <li>5. Repair the machine before you start it again.</li> </ol>
The machine stops during mowing.	The blade height is too low.	Increase the blade height.
	The battery pack is out of power.	Charge the battery pack.
	The grass clippings attach to the deck or the blade.	Remove the battery pack and check the deck.
	Operation temperature of the machine is too high.	Cool the machine.

\* If you cannot find the solution to these problems, go to the service center.

## 13 TECHNICAL DATA

Voltage	82 V
Battery model	GL 500 and other BAB series
Charger model	GC 400 and other CAB series
No load speed	2800 RPM
Height adjustments	1 3/8 - 3 3/4" (3.5 - 9.5) cm
Self-propelled speed	1.6-4.8 fps (0.5-1.5) m/s
Functions	3-in-1 Mulch & Rear Bag & Side Discharge
Weight (without battery pack)	68.3 lbs (31) kg
Double-insulated construction	

## 14 LIMITED WARRANTY



Greenworks Commercial hereby warrants this product, to the original purchaser with proof of purchase, 2 year commercial power train warranty, 2 year commercial battery warranty against defects in materials, parts or workmanship. Greenworks Commercial, at its own discretion will repair or replace any and all parts found to be defective, through normal use, free of charge to the customer. This warranty is valid only for units which have been used for personal or commercial use and that have been maintained in accordance with the instructions in the owners' manual supplied with the product from new.

### 2 YEAR LIMITED POWER TRAIN WARRANTY COVERAGE:

- Motor
- PCB Boards
- Gear Box
- 2 years from the date of purchase (non transferable)

### 2 YEAR LIMITED BATTERY WARRANTY COVERAGE:

- Greenworks Commercial Battery Packs (GL 250, GL 400, GL 500, GL 900, GLW 300, GLW 600, GL400BT and other series)
- 2 year from the date of purchase (non transferable)

### 60 DAY LIMITED WEARABLE PARTS WARRANTY COVERAGE:

- Bars
- Blades
- Guards
- Chains
- Bump Feed Heads
- Tines
- 60 Days from date of purchase (non transferable)

### WARRANTY EXCLUSIONS, LIMITATIONS AND RIGHTS:

1. All warranties may not be transferred by the consumer to any subsequent purchaser.
2. Parts or components not supplied by the warrantor, or parts or components that have been modified.

3. Any failure resulting from the use of improper tools or improper repair procedures.
4. Any failure resulting from the use of improper tools or improper repair procedures.
5. Any failure or part that has become inoperative due to accident, impact, abuse, misuse, neglect, mishandling, dulling of cutting edges, or failure to operate the product in accordance with the information provided in the instruction manual supplied with the product.
6. Routine maintenance items such as lubricants, blade sharpening.
7. The unit, if it has not been operated and/or maintained in accordance with the owner's manual.
8. The unit, if it has not been operated and/or maintained in accordance with the owner's manual.

**GREENWORKS HELPLINE:**

Warranty service is available by calling our toll-free helpline, at 1-855-470-4267.

**TRANSPORTATION CHARGES:**

Transportation charges for the movement of any power equipment unit or attachment are the responsibility of the purchaser. It is the purchaser's responsibility to pay transportation charges for any part submitted for replacement under this warranty unless such return is requested in writing by Greenworks Commercial.

**Greenworks Tools**  
**P.O. Box 1238**  
**Mooresville, NC 28115**

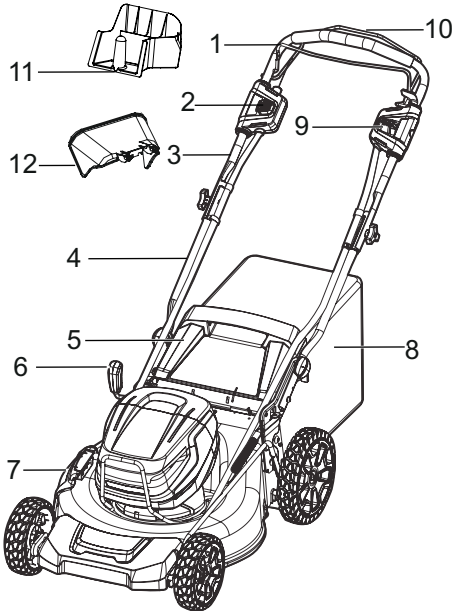
<b>1</b>	<b>But .....</b>	<b>17</b>		9.6	Installez la goulotte d'éjection latérale.....	23
<b>2</b>	<b>Aperçu.....</b>	<b>17</b>		9.7	Réglez la hauteur de la lame.....	23
<b>3</b>	<b>Liste du contenu de l'emballage.....</b>	<b>17</b>		9.8	Installez le bloc-batterie.....	24
<b>4</b>	<b>Lisez toutes les instructions .....</b>	<b>17</b>		9.9	Retirez le bloc-batterie.....	24
4.1	Les enfants et les curieux .....	17		<b>10</b>	<b>Utilisation.....</b>	<b>24</b>
4.2	Fonctionnement.....	17		10.1	Démarrez la machine.....	24
4.3	Utilisation sur une pente.....	19		10.2	Arrêtez la machine.....	25
4.4	Service/Entretien.....	19		10.3	Faites fonctionner le système d'autopropulsion.....	25
<b>5</b>	<b>Symboles figurant sur la machine.....</b>	<b>20</b>		10.4	Videz le sac arrière.....	25
<b>6</b>	<b>Niveaux de risques.....</b>	<b>21</b>		10.5	Travaillez sur les pentes.....	25
<b>7</b>	<b>Élimination des batteries sans danger pour l'environnement.....</b>	<b>21</b>		10.6	Conseils sur l'utilisation.....	26
<b>8</b>	<b>Proposition 65.....</b>	<b>22</b>		<b>11</b>	<b>Entretien .....</b>	<b>26</b>
<b>9</b>	<b>Installation .....</b>	<b>22</b>		11.1	Entretien général .....	26
9.1	Déballer la machine.....	22		11.2	Remplacez la lame.....	26
9.2	Déployez la poignée inférieure.....	22		11.3	Entreposez la machine.....	26
9.3	Installez la poignée supérieure .....	22		11.4	Placez la machine sur le côté.....	27
9.4	Installez le sac arrière.....	23		<b>12</b>	<b>Dépannage .....</b>	<b>27</b>
9.5	Installez le bouchon de déchetage.....	23		<b>13</b>	<b>Données techniques.....</b>	<b>28</b>
				<b>14</b>	<b>Garantie limitée.....</b>	<b>28</b>



## 1 BUT

Cette machine est utilisée pour tondre le gazon à la maison. La lame de coupe doit être approximativement parallèle au sol. Les quatre roues doivent toucher le sol pendant que vous tondez.

## 2 APERÇU



- 1 Barre de sécurité
- 2 Bouton de démarrage
- 3 Partie supérieure du guidon
- 4 Poignée inférieure
- 5 Trappe d'éjection arrière
- 6 Levier de réglage de la hauteur
- 7 Couverture d'éjection latérale
- 8 Sac arrière
- 9 Bouton de commande de vitesse
- 10 Levier de vitesse automotrice
- 11 Bouchon de déchetage
- 12 Goulotte d'éjection latérale

## 3 LISTE DU CONTENU DE L'EMBALLAGE

- |                                |          |
|--------------------------------|----------|
| 1 Tondeuse à gazon             | 4 Manuel |
| 2 Sac arrière                  |          |
| 3 Goulotte d'éjection latérale |          |

## 4 LISEZ TOUTES LES INSTRUCTIONS

### ▲ DANGER

Cette machine a été fabriquée pour être utilisée conformément aux consignes de sécurité qui figurent dans ce manuel. Comme avec tout autre type d'équipement motorisé, la négligence ou une erreur de la part de l'utilisateur peut provoquer des blessures graves. Cette machine est capable d'amputer les mains et les pieds et de projeter des objets. Le non-respect de toutes les consignes de sécurité peut entraîner des blessures graves, voire mortelles.

### i REMARQUE

Lorsque vous utilisez une tondeuse à gazon électrique, des précautions de sécurité de base doivent toujours être prises pour réduire les risques d'incendie, de choc électrique et de blessures corporelles. Ces précautions de base comprennent ce qui suit :

### 4.1 LES ENFANTS ET LES CURIEUX

Des accidents tragiques peuvent se produire si l'opérateur ne fait pas attention à la présence des enfants ou des curieux.

- Garder la zone d'opération à l'écart de toute personne, en particulier les jeunes enfants et les animaux domestiques.
- Soyez extrêmement prudent lorsque vous approchez un angle mort, une porte, un arbuste, un arbre ou tout autre objet qui pourrait obscurcir votre vision d'un enfant ou d'un curieux. Gardez les enfants, les curieux, les assistants et les animaux domestiques à au moins 30 m (100 pi) de la tondeuse lorsqu'elle est en marche. Arrêtez la machine si quelqu'un s'approche.
- Ne permettez jamais à des enfants de moins de 14 ans d'utiliser une tondeuse électrique. Les opérateurs âgés de 14 ans et plus doivent lire et comprendre le manuel d'utilisation et les règles de sécurité. Seules les personnes responsables et qui connaissent ces règles de sécurité doivent être autorisées à utiliser cette machine.

### 4.2 FONCTIONNEMENT

- Lisez attentivement ce manuel d'utilisation dans son intégralité avant d'assembler ou d'utiliser cette machine. Avant de démarrer, veuillez lire, comprendre et suivre toutes les instructions présentes dans le manuel d'utilisation et sur la machine. Familiarisez-vous avec les commandes et l'utilisation correcte de cette machine avant de l'utiliser. Conservez ce manuel pour référence future et régulière.
- N'utilisez la tondeuse à gazon que pour les travaux auxquels elle est destinée. Votre tondeuse à gazon a été conçue pour effectuer un seul travail : couper l'herbe.
- N'essayez jamais de régler la hauteur des roues lorsque le moteur est en marche.

- Ne forcez pas la tondeuse à gazon, elle fera le travail mieux et de façon plus sécuritaire au rythme pour lequel elle a été conçue.
- Ne vous penchez pas trop, gardez un bon équilibre en tout temps. De nombreuses blessures surviennent lorsque la tondeuse est tirée sur le pied lors d'une chute causée par un glissement ou un trébuchement. Faites attention de ne pas glisser et de ne pas tomber pour éviter des blessures graves. Si vous sentez que vous perdez l'équilibre, relâchez immédiatement le guidon et la lame s'arrêtera de tourner dans les trois secondes.
- Inspectez soigneusement l'endroit où l'équipement doit être utilisé et enlevez toutes les pierres, les bâtons, les fils, les os et autres objets étrangers.
- Évitez tout démarrage accidentel. Assurez-vous que l'interrupteur est en position d'arrêt avant de brancher la batterie, de soulever ou de transporter l'appareil. Le fait de porter l'appareil avec un doigt sur l'interrupteur ou d'alimenter l'appareil dont l'interrupteur est en marche risque de provoquer des accidents.
- Ne tirez jamais la tondeuse vers vous lorsque vous marchez. Si vous devez reculer la tondeuse loin d'un mur ou d'un obstacle, regardez d'abord vers le bas et derrière vous pour éviter de trébucher, puis suivez ces étapes :
  - Éloignez-vous de la tondeuse pour allonger complètement vos bras.
  - Assurez-vous de rester bien en équilibre.
  - Tirez lentement sur la tondeuse.
- Débranchez le bloc-batterie de l'outil électrique avant d'effectuer des réglages, de changer des accessoires ou de ranger la machine. De telles mesures de sécurité préventives réduisent le risque d'un démarrage accidentel de la machine.
- Avant de reculer et en reculant avec la tondeuse, regardez derrière vous et vers le bas pour voir s'il y a de jeunes enfants et d'autres personnes.
- N'utilisez pas la tondeuse si vous êtes sous l'influence d'alcool ou de drogues. Restez vigilant et faites attention à ce que vous faites en tout temps. Faites preuve de bon jugement et n'utilisez pas la tondeuse si vous êtes fatigué.
- Portez toujours des lunettes de sécurité ou des lunettes de protection pendant l'utilisation et lors d'un ajustement ou d'une réparation pour protéger vos yeux. Les objets projetés qui ricochent peuvent causer de graves blessures aux yeux. Utilisez toujours un masque facial ou un masque anti-poussière si l'opération est poussiéreuse.
- En tout temps, se tenir à l'écart de l'ouverture de déchargement. Ne placez jamais vos mains ou vos pieds près d'une pièce en mouvement ou sous le plateau de coupe. La lame en mouvement peut amputer les mains et les pieds.
- Planifiez votre tracé de tonte de manière à éviter tout déversement de matériaux vers les routes, les trottoirs, les passants et autres endroits semblables. De plus, évitez de décharger le produit contre des murs ou des obstructions, ce qui pourrait faire ricocher le produit déchargé vers l'opérateur.
- Pour éviter la lame ou une blessure par un objet projeté, restez dans la zone de l'opérateur derrière les guidons.
- Un couvercle de décharge manquant ou endommagé peut causer un contact avec la lame ou des blessures causées par des objets projetés.
- Les objets heurtés par la lame de la tondeuse à gazon peuvent causer de graves blessures aux personnes. Le gazon doit toujours être soigneusement examiné et débarrassé de tout objet avant chaque tonte.
- Arrêtez la lame lorsque vous traversez des chemins de gravier, des chemins ou des routes.
- Suivez toutes les instructions de recharge et ne rechargez pas le bloc-batterie ou l'appareil en dehors de la plage de température spécifiée dans ces instructions. Un rechargement incorrect ou à des températures en dehors de la plage spécifiée peut endommager la batterie et augmenter le risque d'incendie.
- Si la tondeuse heurte un corps étranger, procédez comme suit :
  - Relâchez l'interrupteur d'arrêt d'urgence pour désengager le moteur.
  - Retirez le bloc-batterie.
  - Vérifiez qu'elle n'est pas endommagée.
  - Réparez toutes les pièces endommagées avant de redémarrer et d'utiliser la tondeuse à gazon.
- Faites effectuer l'entretien par un réparateur qualifié en n'utilisant que des pièces de rechange identiques. Cela garantira le maintien de la sécurité du produit.
- Habillez-vous correctement, ne portez pas de vêtements amples ou de bijoux qui pourraient se coincer dans les pièces en mouvement. Le port de gants de sécurité et de chaussures appropriées est recommandé pour travailler à l'extérieur. Portez des chaussures de travail robustes à semelle rugueuse et des pantalons et des chemises bien ajustés. Une chemise et un pantalon qui protègent les bras et les jambes et des chaussures à bout d'acier sont recommandés. N'utilisez jamais cette machine pieds nus, en sandales, en chaussures glissantes ou légères (par ex., en toile).
- Ne modifiez pas ou n'essayez pas de réparer l'appareil ou la batterie (selon le cas) sauf en conformité avec les instructions d'utilisation et d'entretien indiquées dans ce manuel.
- Portez un couvre-chef protecteur pour contenir les cheveux longs.
- Évitez les environnements dangereux, n'utilisez pas la tondeuse à gazon dans des endroits humides ou mouillés ou s'il pleut.
- Entreposez la tondeuse inutilisée à l'intérieur - Lorsqu'ils ne sont pas utilisés, les appareils doivent être entreposés à l'intérieur, dans un endroit sec, surélevé ou verrouillé, hors de la portée des enfants. Retirez toujours la batterie de la tondeuse avant de la ranger.
- Ne tondez qu'à la lumière du jour ou sous une bonne lumière artificielle. Marchez, ne courez jamais pendant l'opération.

- Si l'équipement commence à vibrer anormalement, arrêtez immédiatement le moteur, retirez la batterie et vérifiez la cause. Les vibrations sont généralement un avertissement indiquant que la machine ne fonctionne pas correctement.
- Vérifiez fréquemment la détérioration et l'usure du sac et remplacez les sacs usés. Vérifiez que les sacs de remplacement sont conformes aux recommandations ou aux spécifications du fabricant d'origine.
- Avant de nettoyer la machine, de déboucher ou d'enlever le sac à herbe, le dispositif de déchetage ou la goulotte d'éjection latérale, arrêtez le moteur et attendez que la lame s'arrête complètement, puis retirez le bloc-batterie. La lame continue à tourner pendant quelques secondes après que le moteur s'est éteint. N'exécutez jamais ces fonctions tant que vous n'êtes pas sûr que la lame ne tourne plus.
- Gardez la lame de coupe propre et tranchante pour assurer la meilleure performance.
- Inspectez périodiquement les dispositifs de sécurité et les cordons pour vous assurer qu'ils ne sont pas endommagés. Si l'appareil est endommagé, ne l'utilisez pas avant qu'il n'ait été réparé par un professionnel autorisé.
- N'utilisez jamais la tondeuse sans le couvercle de décharge, le sac à herbe, le bouchon de déchetage, la goulotte d'éjection latérale ou tout autre dispositif de sécurité approprié en place et en fonctionnement. N'utilisez jamais la tondeuse si ses dispositifs de sécurité sont endommagés. Le non-respect de cette consigne peut entraîner des blessures corporelles.
- Utilisez uniquement les batteries et les chargeurs approuvés. Les batteries et les chargeurs non approuvés peuvent endommager la tondeuse ou blesser l'opérateur.
- Ne jetez pas la batterie au feu. Les cellules peuvent s'enflammer. Consultez les codes locaux et la gestion des déchets pour connaître les instructions d'élimination appropriées.
- Lorsque le bloc batterie n'est pas utilisé, éloignez-le des autres objets métalliques tels qu'attaches trombones, pièces de monnaie, clés, clous, vis ou autres petits objets métalliques qui peuvent établir une connexion d'une borne à une autre. Le court-circuitage des bornes de la batterie peut provoquer des brûlures ou un incendie.
- Ne tentez pas d'ouvrir ni d'abîmer la batterie. Les électrolytes contenus dans la batterie sont corrosifs et peuvent causer des dommages aux yeux ou à la peau s'ils sont rejetés. L'électrolyte peut être toxique lorsqu'elle est avalée.
- Dans des conditions abusives, du liquide peut être éjecté de la batterie ; évitez tout contact. En cas de contact accidentel, rincez avec de l'eau. En cas de contact avec les yeux, consultez également un médecin. Le liquide s'échappant des batteries peut causer des irritations ou des brûlures.
- N'exposez pas un bloc-batterie ou un appareil au feu ou à une température excessive. L'exposition au feu ou une

température supérieure à 130°C peut provoquer une explosion.

- Manipulez les batteries avec la plus grande prudence afin d'éviter de court-circuiter la batterie avec des matériaux conducteurs tels que bagues, bracelets, clés, etc. La batterie ou le conducteur peut surchauffer et provoquer des brûlures en cas de contact avec ces matériaux.
- N'utilisez pas une batterie ou un appareil endommagé ou modifié. Les batteries endommagées ou modifiées peuvent présenter un fonctionnement imprévisible et provoquer un incendie, une explosion ou un risque de blessure.

### 4.3 UTILISATION SUR UNE PENTE

Les pentes sont un facteur majeur lié aux accidents de glissade et de chute, qui peuvent entraîner des blessures graves. L'utilisation sur les pentes exige une prudence supplémentaire. Si vous vous sentez mal à l'aise sur une pente, ne tondez pas du gazon.

À faire :

- Tondez sur la face des pentes ; ne tondez jamais de haut en bas. Faites très attention en changeant de direction sur une pente.
- Surveillez les trous, les ornières, les pierres, les objets cachés ou les bosses qui peuvent vous faire glisser ou trébucher. Les herbes hautes peuvent masquer des obstacles.

À ne pas faire :

- Ne tondez pas des pentes trop raides.
- Ne tondez pas près d'un dénivellement prononcé, d'un fossé ou du rebord d'un talus ; vous pourriez perdre pied ou perdre l'équilibre.
- Ne tondez pas les pentes de plus de 15 degrés.
- Ne tondez pas du gazon mouillé ou humide. L'instabilité de la posture au sol peut provoquer des glissements.

### 4.4 SERVICE/ENTRETIEN

- Vérifiez fréquemment que la lame et les boulons de fixation du moteur sont bien serrés.
- Remplacez la lame si elle est pliée ou fissurée. Une lame déséquilibrée provoque des vibrations qui pourraient endommager l'unité d'entraînement du moteur ou causer des blessures corporelles.
- Gardez tous les écrous, boulons et vis serrés pour vous assurer que l'outil est en état de fonctionnement sécuritaire.
- Ne lavez pas avec un tuyau d'arrosage ; évitez de mettre de l'eau dans le moteur et les connexions électriques.
- Ne jamais retirer ou modifier les dispositifs de sécurité. Vérifiez régulièrement leur bon fonctionnement. Ne jamais faire quoi que ce soit qui puisse interférer avec le fonctionnement prévu d'un dispositif de sécurité ou réduire la protection offerte par un dispositif de sécurité.









- Débarrassez la machine des brins d'herbe, feuilles et d'autres débris qui pourraient s'y accumuler. Laissez la machine se refroidir avant l'entreposage.
- N'effectuez jamais de réglages ou de réparations quand le moteur est en marche.
- Retirez toujours la batterie de la tondeuse avant de procéder au réglage, au nettoyage ou à la réparation.
- Vérifiez fréquemment les éléments du sac arrière et le dispositif de protection de la décharge et les remplacer au besoin par les pièces recommandées par le fabricant.
- Aiguiser une lame émoussée de façon égale à chaque extrémité pour maintenir l'équilibre.
- Gardez les gardes protectrices en place et en bon état de fonctionnement. Les lames de la tondeuse sont tranchantes et peuvent blesser. Enveloppez la lame avec un chiffon ou portez des gants et faites très attention en la manipulant.
- Nettoyez soigneusement la lame et vérifiez son équilibre en la soutenant horizontalement sur un clou fin par son trou central. Le clou doit être également dans une position horizontale. Si l'une ou l'autre extrémité de la lame tourne vers le bas, enlevez un peu de métal de l'extrémité lourde ou inférieure jusqu'à ce que la lame soit équilibrée. Elle est équilibrée lorsque aucune des deux extrémités ne tombe.
- Utilisez seulement des lames de rechange identiques.
- Entretenez votre tondeuse à gazon avec soin - Gardez les bords de coupe tranchants et propres pour une performance optimale et plus sûre. Suivez les instructions pour lubrifier et changer les accessoires. Inspectez périodiquement le cordon de la tondeuse. S'il est endommagé, faites-le réparer par un réparateur agréé.
- En cas de situations qui ne sont pas couvertes dans ce manuel, faites preuve de prudence et de bon jugement ou contactez le Service à la clientèle pour obtenir de l'aide.
- N'utilisez jamais la tondeuse sans les protections, les plaques ou d'autres dispositifs de protection de sécurité appropriés en place.

**La plage de température ambiante recommandée :**

Article	Température
Plage de température d'entreposage de la tondeuse	32°F (0°C) - 113°F (45°C)
Plage de température de fonctionnement de la tondeuse	32°F (0°C) - 113°F (45°C)
Plage de température de rechargement de la batterie	39°F (4°C) - 104°F (40°C)
Plage de température de fonctionnement du chargeur	39°F (4°C) - 104°F (40°C)
Plage de température d'entreposage de la batterie	32°F (0°C) - 113°F (45°C)
Plage de température de déchargement de la batterie	32°F (0°C) - 113°F (45°C)

## 5 SYMBOLES FIGURANT SUR LA MACHINE

Certains des symboles suivants peuvent être utilisés sur cet outil. Veuillez les étudier et apprendre leur signification. Une bonne interprétation de ces symboles vous permettra de mieux utiliser l'outil et de manière plus sécuritaire.

Symbole	Nom	Explication
V	Volt	Voltage
A	Ampères	Courant
Hz	Hertz	Fréquence (cycles par seconde)
W	Watt	Puissance
min	Minutes	Heure
/min	Par minute	Tours, coups, vitesse périphérique, orbites, etc., par minute
	Courant alternatif	Type de courant
	Courant direct	Type ou caractéristique du courant
n <sub>0</sub>	Vitesse à vide	Vitesse rotationnelle, à vide
	Alerte de sécurité	Précautions destinées à assurer la sécurité.
	Protection des yeux	Portez toujours des lunettes de protection avec des protections latérales marquées conformément à la norme ANSI Z87.1 lorsque vous utilisez cet équipement.
	AVERTISSEMENT --- Conditions humides	Ne pas exposer la machine à la pluie ou à l'humidité.
	Lisez le manuel d'opérateur	Pour réduire les risques de blessures, l'utilisateur doit lire et comprendre le manuel d'utilisation avant d'utiliser ce produit.
	Entretenez les dispositifs de sécurité	Ne pas ouvrir ou retirer les dispositifs de sécurité lorsque l'outil est en marche.
	Regardez derrière vous quand vous reculez	Regardez d'abord vers le bas et vers l'arrière pour éviter de trébucher lorsque vous tirez vers l'arrière.

Symbole	Nom	Explication
	DANGER --- Maintenez à distance les mains et les pieds	Pour réduire les risques de blessures, éloignez les mains et les pieds des pièces en mouvement. Ne pas faire fonctionner à moins que le couvercle de décharge ou le sac d'herbe ne soit à sa place appropriée. S'il est endommagé, remplacez-le immédiatement.
	DANGER --- Gardez les gens à distance	Tous les visiteurs doivent être tenus à bonne distance de la zone de travail.
	DANGER --- Débris rejetés	Retirez les objets qui peuvent être projetés par la lame dans n'importe quelle direction. Portez des lunettes de protection.
	DANGER --- Danger sur pente abrupte	Soyez particulièrement prudent sur les pentes. Ne tondez pas sur une pente inclinée à plus de 15°.

## 6 NIVEAUX DE RISQUES

Les termes de mise en garde suivants et leur signification ont pour but d'expliquer les niveaux de risques associés à l'utilisation de ce produit.

SYMBOLIQUE	SIGNAL	SIGNIFICATION
	DANGER	Indique une situation dangereuse imminente qui, si elle n'est pas évitée, peut entraîner la mort ou des blessures graves.
	AVERTISSEMENT	Indique une situation potentiellement dangereuse qui, si elle n'est pas évitée, peut entraîner la mort ou des blessures graves.
	MISE EN GARDE	Indique une situation potentiellement dangereuse qui, si elle n'est pas évitée, pourrait causer des blessures mineures ou modérées.
	MISE EN GARDE	(Sans symbole d'alerte de sécurité) Indique une situation pouvant entraîner des dommages matériels.

## 7 ÉLIMINATION DES BATTERIES SANS DANGER POUR L'ENVIRONNEMENT



Les matières toxiques et corrosives ci-dessous se trouvent dans les batteries utilisées dans cette machine : **Lithium-ion, une substance toxique.**

### ▲ AVERTISSEMENT

Éliminez toutes les substances toxiques d'une manière spécifiée afin de prévenir la contamination de l'environnement. Avant de jeter une batterie Li-ion endommagée ou usée, contactez votre agence locale d'élimination des déchets ou l'agence locale de protection de l'environnement pour obtenir des informations et des instructions spécifiques. Apportez les batteries à un centre local de recyclage ou d'élimination certifié pour l'élimination de batteries au lithium-ion.

### ▲ AVERTISSEMENT

Si la batterie se fend ou se brise, avec ou sans fuites, ne la rechargez pas et ne l'utilisez pas. Jetez-la et remplacez-la par une nouvelle batterie. **N'ESSAYEZ PAS DE LA RÉPARER !** Pour prévenir les blessures et les risques d'incendie, d'explosion ou de choc électrique, et pour éviter tout dommage à l'environnement :

- Couvrez les bornes de la batterie avec du ruban adhésif résistant.
- NE PAS essayer d'enlever ou de détruire les composants de la batterie.
- NE PAS essayer d'ouvrir ou de réparer la batterie.
- En cas de fuite, les électrolytes rejetés sont corrosifs et toxiques. NE PAS laisser entrer la solution dans les yeux ou en contact avec la peau et ne pas l'avaler.
- NE PAS jeter vos batteries usagées dans votre poubelle à ordures ménagères.
- NE PAS incinérer.
- NE LES Mettez PAS dans un endroit où ils feront partie d'un site d'enfouissement de déchets ou d'un flux de déchets solides municipaux.
- Emmenez-les dans un centre de recyclage ou d'élimination certifié.

## 8 PROPOSITION 65

### ▲ AVERTISSEMENT

Ce produit contient un produit chimique connu dans l'état de Californie comme étant une cause de cancer, de malformations congénitales ou d'autres problèmes de reproduction. Certaines poussières produites par le ponçage mécanique, le sciage, le meulage, le perçage et d'autres activités de construction contiennent des produits chimiques connus pour causer le cancer, des malformations congénitales ou d'autres problèmes de reproduction. Voici quelques exemples de ces produits chimiques :

- Plomb provenant de peintures à base de plomb;
- Silice cristalline provenant de briques, de ciment et d'autres produits de maçonnerie;
- Arsenic et chrome provenant de bois traité chimiquement.

Votre risque d'exposition à ces produits chimiques varie selon la fréquence à laquelle vous faites ce type de travail. Pour réduire votre exposition à ces produits chimiques, travaillez dans un endroit bien ventilé et utilisez un équipement de sécurité approuvé, comme des masques anti-poussière spécialement conçus pour filtrer les particules microscopiques.

Conservez ces instructions

## 9 INSTALLATION

### ▲ AVERTISSEMENT

Ne changez pas ou ne fabriquez pas des accessoires qui ne sont pas recommandés par le fabricant.

### ▲ AVERTISSEMENT

Ne mettez pas la clé de sécurité ou le bloc-batterie tant que vous n'avez pas assemblé toutes les pièces.

### 9.1 DÉBALLEZ LA MACHINE

#### ▲ AVERTISSEMENT

Assurez-vous d'assembler correctement la machine avant de l'utiliser.

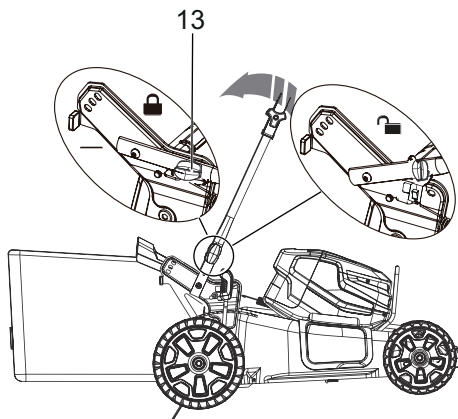
#### ▲ AVERTISSEMENT

- Si les pièces sont endommagées, n'utilisez pas la machine.
- Si vous n'avez pas toutes les pièces, n'utilisez pas la machine.
- Si les pièces sont endommagées ou manquantes, communiquez avec le centre de service.

1. Ouvrez l'emballage.
2. Lisez la documentation contenue dans la boîte.
3. Retirez toutes les pièces non assemblées de la boîte.

4. Retirez la machine de sa boîte.
5. Jetez la boîte et l'emballage en respectant les règlements locaux.

### 9.2 DÉPLOYEZ LA POIGNÉE INFÉRIEURE



1. Tirez et tournez les boutons de la poignée (13) de 90°.
2. Déployez la poignée inférieure.
3. Alignez les boutons de la poignée à l'une des trois positions sur les supports.
4. Tournez les boutons de la poignée de 90° jusqu'à ce qu'ils s'engagent dans les trous des supports.

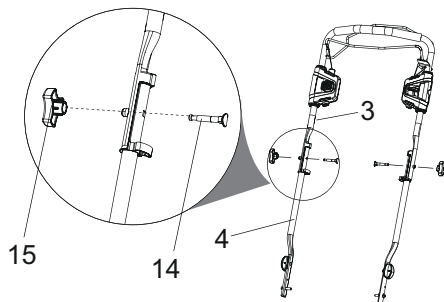
#### i REMARQUE

Assurez-vous que les deux poignées sont dans la même position.

#### ▲ AVERTISSEMENT

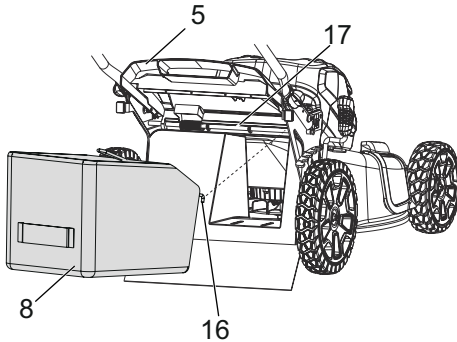
N'endommagez pas les câbles ou ne les pincez pas lorsque vous pliez ou dépliez le guidon.

### 9.3 INSTALLEZ LA POIGNÉE SUPÉRIEURE



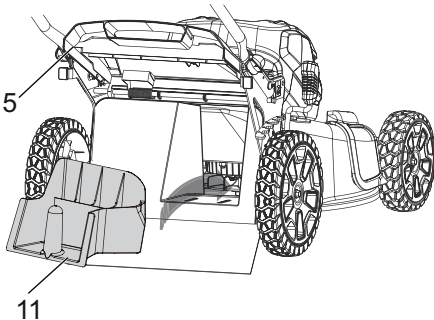
1. Alignez les trous dans la poignée supérieure (3) et dans la poignée inférieure (4).
2. Introduisez les boulons (14) dans les trous.
3. Serrez les boutons (15) sur les boulons.
4. Faites la même opération sur l'autre côté.

## 9.4 INSTALLEZ LE SAC ARRIÈRE



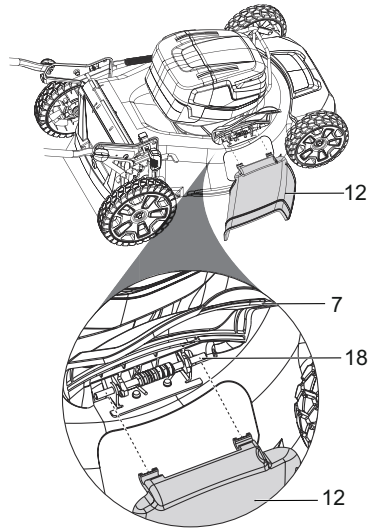
1. Retirez le bouchon de déchiqetage.
2. Retirez la goulotte d'éjection latérale.
3. Ouvrez et retenez la trappe d'éjection arrière (5).
4. Tenez le sac arrière (8) par sa poignée et engagez les crochets (16) dans la tige de porte (17).
5. Fermez la trappe d'éjection arrière.

## 9.5 INSTALLEZ LE BOUCHON DE DÉCHIQUETAGE



1. Retirez le sac arrière.
2. Ouvrez et retenez la trappe d'éjection arrière (5).
3. Tenez le bouchon de déchiqetage (11) par sa poignée et insérez-le dans la goulotte d'éjection.
4. Fermez la trappe d'éjection arrière.

## 9.6 INSTALLEZ LA GOULOTTE D'ÉJECTION LATÉRALE



### ▲ ATTENTION

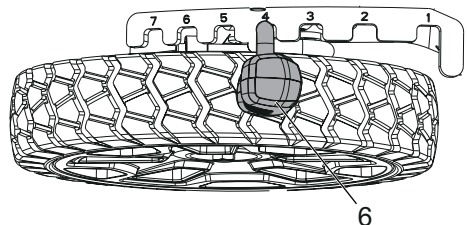
Lorsque vous utilisez la goulotte d'éjection latérale,

- n'installez pas le sac arrière.
- laissez le bouchon de déchiqetage en place.

1. Ouvrez et retenez la trappe d'éjection latérale (7).
2. Alignez les recoins de la goulotte d'éjection latérale (12) sous la charnière (18).
3. Fermez la trappe d'éjection latérale.

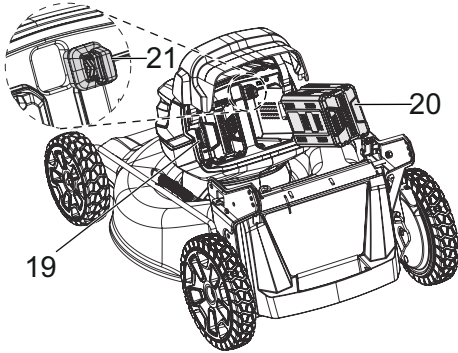
## 9.7 RÉGLEZ LA HAUTEUR DE LA LAME

La lame de la machine peut être réglée à différentes hauteurs.



1. Tirez le levier de réglage de la hauteur (6) vers l'arrière pour augmenter la hauteur de la lame.
2. Tirez le levier de réglage de la hauteur vers l'avant pour diminuer la hauteur de la lame.

## 9.8 INSTALLEZ LE BLOC-BATTERIE



### ▲ AVERTISSEMENT

- Si le bloc-batterie ou le chargeur est endommagé, remplacez-le, au besoin.
- Arrêtez la machine et attendez que le moteur s'arrête avant d'installer ou de retirer le bloc-batterie.
- Lisez, comprenez et suivez les instructions du manuel du bloc-batterie et du chargeur.

### i REMARQUE

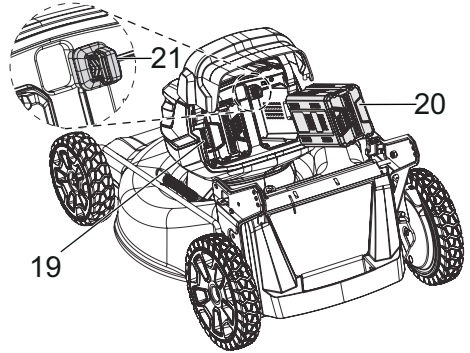
La machine dispose d'un compartiment de stockage du bloc-batterie qui permet de ranger le bloc-batterie.

1. Ouvrez la trappe de la batterie.
2. Alignez les languettes de la batterie (20) avec les rainures du compartiment de batterie.
3. Poussez le bloc-batterie dans le compartiment de batterie jusqu'à ce qu'il soit bien encliqueté.
4. Vous devriez entendre un clic lorsque le bloc-batterie sera inséré correctement.
5. Fermez la trappe de la batterie.

### i REMARQUE

Le moteur ne démarre que lorsque vous insérez la clé de sécurité (21).

## 9.9 RETIREZ LE BLOC-BATTERIE



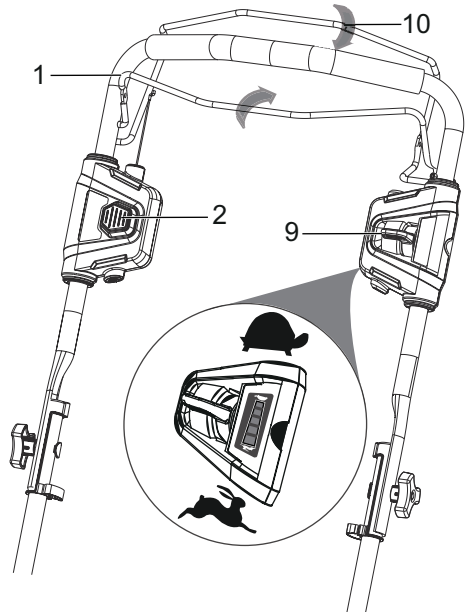
1. Ouvrez la trappe de la batterie.
2. Poussez et maintenez enfoncé le bouton de déblocage de la batterie (19).
3. Retirez le bloc-batterie de la machine.

## 10 UTILISATION

### ▲ AVERTISSEMENT

Portez des lunettes de protection pendant l'utilisation.

### 10.1 DÉMARREZ LA MACHINE





1. Appuyez sur le bouton de mise en marche et maintenez-le enfoncé (2).
2. Pendant que vous maintenez le bouton de démarrage enfoncé, tirez l'interrupteur d'écartement (1) dans la direction du guidon.
3. Une fois que la machine a démarré, vous pouvez relâcher le bouton de démarrage.

## 10.2 ARRÊTEZ LA MACHINE

1. Relâchez l'interrupteur d'arrêt d'urgence pour arrêter la machine.

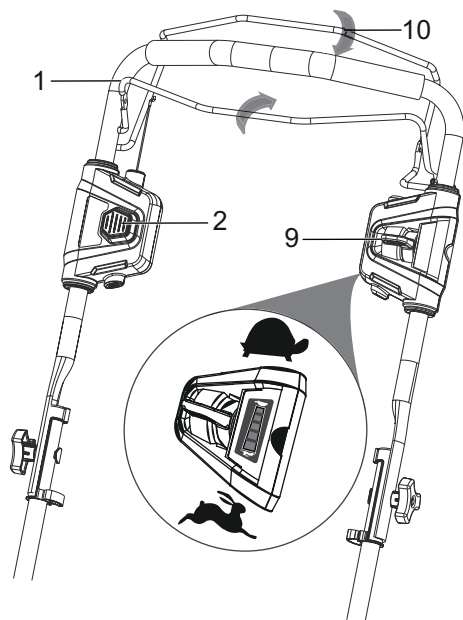
### ▲ AVERTISSEMENT

Attendez que les lames s'arrêtent complètement avant de redémarrer la machine. N'éteignez pas et n'allumez pas brusquement la machine.

### ▲ AVERTISSEMENT

Retirez toujours le bloc-batterie après avoir terminé le travail.

## 10.3 FAITES FONCTIONNER LE SYSTÈME D'AUTOPROPULSION



1. Démarrez la machine.
2. Pendant que vous maintenez la barre de sécurité enfoncée (1), tirez sur le levier de vitesse automotrice (10) dans la direction du guidon.

3. Tenez la barre de sécurité et le levier de vitesse automotrice en même temps avec votre main droite.
4. Réglez le bouton de commande (9) de vitesse avec la main gauche.
  - Appuyez sur le bouton de commande de vitesse dans la direction du symbole Lièvre pour augmenter la vitesse.
  - Appuyez sur le bouton de commande de vitesse dans la direction du symbole Tortue pour réduire la vitesse.
5. Relâchez le levier de vitesse automotrice pour fermer le système de vitesse automotrice.

**Pour enclencher le système de vitesse automotrice lorsque la tondeuse n'est pas en marche :**

- Tirez sur le levier de vitesse automotrice (10) vers le haut, jusqu'à la poignée.

**Pour dégager le système de vitesse automotrice lorsque la tondeuse n'est pas en marche :**

- Relâchez le levier de vitesse automotrice.

## 10.4 VIDEZ LE SAC ARRIÈRE

1. Arrêtez la machine.
2. Retirez le bloc-batterie.
3. Ouvrez et retenez la trappe d'éjection arrière.
4. Tenez le sac arrière par sa poignée et décrochez-le de la barre de la porte.
5. Fermez la trappe d'éjection arrière.
6. Videz le sac arrière.

## 10.5 TRAVAILLEZ SUR LES PENTES

### ▲ AVERTISSEMENT

Ne tondez pas sur une pente inclinée à plus de 15°. Si vous n'êtes pas à l'aise, ne tondez pas sur une pente.

### ▲ AVERTISSEMENT

Lorsque vous tondez sur une pente, veillez toujours à maintenir une faible vitesse automotrice.

- Ne changez pas de direction de haut en bas, ou vice-versa, lorsque vous tondez sur une pente. Soyez prudent lorsque vous changez la direction sur une pente.
- Surveillez les trous, les ornières, les rochers et tout autres objets cachés qui peuvent vous faire tomber. Retirez tous les obstacles tels que les rochers et les branches d'arbre.
- Assurez-vous que vous êtes bien campé et en équilibre. Si vous perdez l'équilibre, relâchez immédiatement la barre de sécurité.
- Ne tondez pas près d'un dénivellement, d'un fossé ou du rebord d'un talus.

## 10.6 CONSEILS SUR L'UTILISATION

- N'essayez pas de désactiver le fonctionnement du bouton de démarrage ou de la barre de sécurité.
- N'inclinez pas la machine lorsque vous la démarrez.
- Ne placez pas les mains ou les pieds à proximité ou en dessous des pièces en mouvement.
- Gardez la trappe d'éjection arrière propre.
- Ne coupez l'herbe humide.
- Une hauteur de lame plus élevée est nécessaire pour un gazon nouveau ou épais.
- Nettoyez le plateau de la tondeuse après chaque utilisation. Enlevez les débris d'herbe coupée, les feuilles, la saleté et autres débris.

## 11 ENTRETIEN

### ▲ AVERTISSEMENT

Retirez la clé de sécurité et le bloc-batterie de la machine avant l'entretien.

### ▲ AVERTISSEMENT

Veillez à ce que le moteur et la batterie soient exempts d'herbe, de feuilles ou d'un excès de graise.

### ▲ ATTENTION

Utilisez seulement les pièces de rechange approuvées.

### ▲ ATTENTION

Évitez que les liquides de freins, l'essence et les matériaux à base de pétrole ne viennent en contact avec les pièces en plastique. Les produits chimiques peuvent endommager le plastique et le rendre inutilisable.

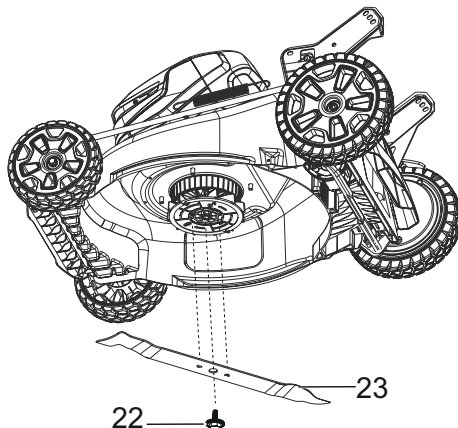
### ▲ ATTENTION

N'utilisez pas de solvants ou de détergents puissants sur le boîtier ou les composants en plastique.

## 11.1 ENTRETIEN GÉNÉRAL

- Avant chaque utilisation, vérifiez que la machine ne contient pas de pièces endommagées, manquantes ou desserrées, telles que vis, écrous, boulons et capuchons.
- Serrez correctement toutes les fixations et les capuchons.
- Nettoyez la machine avec un chiffon sec. N'utilisez pas de l'eau.

## 11.2 REMPLACEZ LA LAME



### ▲ AVERTISSEMENT

Utilisez seulement les lames de rechange approuvées.

### ▲ AVERTISSEMENT

Portez des gants épais ou enroulez la lame avec un chiffon lorsque vous la touchez.

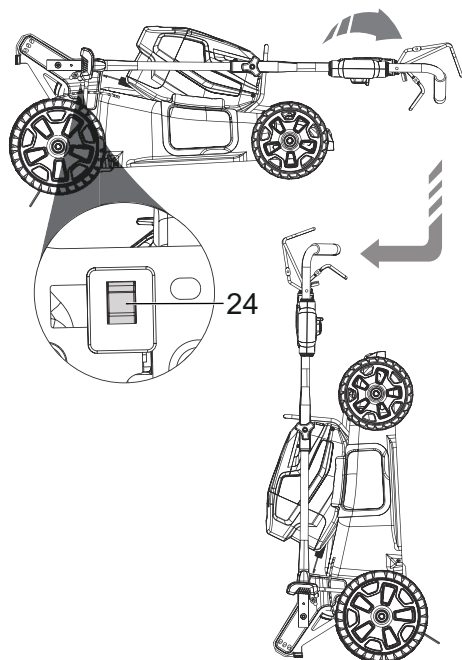
1. Arrêtez la machine.
2. Assurez-vous que la lame s'est complètement arrêtée.
3. Retirez le bloc-batterie.
4. Tournez la machine sur le côté.
5. Utilisez un morceau de bois pour empêcher le mouvement de la lame.
6. Retirez la vis de fixation (22) à l'aide d'une clé ou d'une douille.
7. Retirez la lame (23).
8. Positionnez une nouvelle lame avec les rebords tranchants vers le sol. Assurez-vous que les flèches s'engagent dans les trous de la lame.
9. Serrez la vis de montage.

## 11.3 ENTREPOSEZ LA MACHINE

- Nettoyez la machine avant de l'entreposer.
- Assurez-vous que le moteur n'est pas chaud lorsque vous entreposez la machine.
- Assurez-vous que la machine n'a pas de pièces mal fixées ou endommagées. Au besoin, suivez ces étapes/instructions :
  - Remplacez les pièces endommagées.
  - Serrez les écrous.
  - Parlez à une personne d'un centre de service certifié.
- Entreposez la machine dans un endroit sec.

- Assurez-vous que les enfants ne peuvent pas s'approcher de la machine.

## 11.4 PLACEZ LA MACHINE SUR LE CÔTÉ



- Retirez le sac arrière.
- Tirez et tournez les boutons de la poignée de 90°.
- Pliez la poignée.
- Tournez les boutons de la poignée de 90° pour verrouiller la poignée en position.
- Placez la machine sur le côté et assurez-vous que les touches touchent le plancher.

### Interrupteur d'entreposage

La machine dispose d'un interrupteur d'entreposage (24) qui empêche sa mise en marche en position d'entreposage.

Il est nécessaire de retirer la clé de sécurité et la batterie pour éviter un démarrage accidentel ou une utilisation non autorisée. L'interrupteur d'entreposage ne remplace pas cette fonction.

## 12 DÉPANNAGE

Problème	Cause possible	Solution
Le guidon n'est pas bien installé.	Les écrous ne sont pas bien enclenchés.	Ajustez la hauteur du guidon et assurez-vous que les boutons et les boulons sont alignés correctement.
La machine ne démarre pas.	La capacité de la batterie est faible.	Rechargez le bloc-batterie.
	La barre de sécurité défectueuse.	Remplacez la barre de sécurité.
	La clé de sécurité n'est pas insérée.	Ouvrez la trappe de la batterie et insérez.
La machine coupe l'herbe de manière irrégulière.	Le gazon est raboteux.	Inspectez la zone de tonte.
	La lame n'est pas réglée à la bonne hauteur.	Placez les roues à une hauteur plus élevée.
La machine ne déchiquette pas correctement.	Des débris d'herbe humide s'accroche au plateau.	Attendez jusqu'à ce que l'herbe soit sèche avant la tonte.
	Le bouchon de déchiquetage est manquant.	Installez le bouchon de déchiquetage.
La machine est difficile à pousser.	L'herbe est trop haute ou la hauteur de la lame est trop basse.	Augmentez la hauteur de la lame.
	Le sac arrière et la lame traînent dans l'herbe épaisse.	Videz les débris d'herbe humide du sac arrière.

Problème	Cause possible	Solution
Il y a une forte vibration dans la machine.	La lame est déséquilibrée et usée.	Remplacez la lame.
	L'arbre du moteur est tordu.	<ol style="list-style-type: none"> <li>1. Arrêtez le moteur.</li> <li>2. Retirez la clé de sécurité et le bloc-batterie.</li> <li>3. Déconnectez la source d'alimentation.</li> <li>4. Vérifiez qu'elle n'est pas endommagée.</li> <li>5. Réparez la machine avant de la redémarrer.</li> </ol>
Le moteur s'arrête pendant la tonte.	La hauteur de la lame est trop basse.	Augmentez la hauteur de la lame.
	Le bloc-batterie est déchargé.	Rechargez le bloc-batterie.
	Des débris d'herbe humide s'accroche au plateau ou à la lame.	Retirez le bloc-batterie et vérifiez le plateau.
	La température de fonctionnement de la machine est trop élevée.	Laissez la machine se refroidir.

\* Si vous ne trouvez pas une solution à ces problèmes, communiquez avec le centre de service.

## 13 DONNÉES TECHNIQUES

Voltage	82 V
Batterie (modèle)	GL 500 et autresBAB séries
Chargeur (modèle)	GC 400 et autresCAB séries
Vitesse à vide	2800 tr/min
Réglages de la hauteur	1 3/8 - 3 3/4" (3.5 - 9.5) cm
Vitesse automotrice	1.6-4.8 fps (0.5-1.5) m/s
Fonctions	3-in-1 Déchiquetage/sac arrière et trappe d'éjection
Poids (sans batterie)	68.3 lb (31) kg

Conception à double isolation



## 14 GARANTIE LIMITÉE



Greenworks Commercial garantit ce produit, à l'acheteur original avec preuve d'achat, 2 ans de garantie sur le groupe motopropulseur commercial, 2 ans de garantie sur la batterie commerciale contre les défauts de matériaux, pièces ou main d'œuvre. Greenworks Commercial, à sa propre discrétion, réparera ou remplacera toutes les pièces défectueuses, dans des conditions normales d'utilisation, sans frais pour le client. Cette garantie n'est valable que pour les appareils qui ont été utilisés à des fins personnelles ou commerciales et qui ont été entretenus conformément aux instructions du manuel du propriétaire fourni avec le produit neuf.

### GARANTIE LIMITÉE DE 2 ANS SUR LE GROUPE MOTOPROPULSEUR:

- Moteur
- Cartes de circuits imprimés
- Boîte d'engrenage
- 2 ans à compter de la date d'achat (non transférable)

### GARANTIE LIMITÉE DE 2 ANS SUR LA BATTERIE:

- Batteries commerciales Greenworks (GL 250, GL 400, GL 500, GL 900, GLW 300, GLW 600, GL400BT et autres séries)
- 2 ans à compter de la date d'achat (non transférable)

### GARANTIE LIMITÉE DE 60 JOURS SUR LES PIÈCES D'USURE:

- Guide-chaînes
- Lames
- Gardes protectrices
- Chaînes
- Têtes d'avance par coups
- Dents
- 60 jours à compter de la date d'achat (non transférable)

## **EXCLUSIONS, LIMITATIONS ET DROITS DE GARANTIE:**

1. Toutes les garanties ne peuvent pas être transférées par le consommateur à un acheteur subséquent.
2. Pièces ou composants non fournis par le garant, ou pièces ou composants qui ont été modifiés.
3. Toute défaillance résultant de l'utilisation d'outils ou de procédures de réparation inappropriés.
4. Toute défaillance résultant de l'utilisation d'outils ou de procédures de réparation inappropriés.
5. Toute panne ou pièce devenue inopérante en raison d'un accident, d'un choc, d'un abus, d'une mauvaise utilisation, d'une négligence, d'une mauvaise manipulation, de l'érousement des tranchants ou d'un défaut d'utilisation du produit conformément aux informations fournies dans le mode d'emploi fourni avec le produit.
6. Articles d'entretien courant tels que lubrifiants, affûtage des lames.
7. L'appareil, s'il n'a pas été utilisé et/ou entretenu conformément au manuel du propriétaire.
8. L'appareil, s'il n'a pas été utilisé et/ou entretenu conformément au manuel du propriétaire.

## **ASSISTANCE TÉLÉPHONIQUE DE GREENWORKS:**

Le service de garantie est disponible en appelant notre ligne d'assistance téléphonique sans frais, au 1-855-470-4267.

## **FRAIS DE TRANSPORT :**

Les frais de transport pour le déplacement de tout équipement motorisé ou accessoire sont à la charge de l'acheteur. Il incombe à l'acheteur de payer les frais de transport pour toute pièce retournée pour remplacement en vertu de la présente garantie, à moins qu'un tel retour soit demandé par écrit par Greenworks Commercial.

**Greenworks Tools**

**P.O. Box 1238**

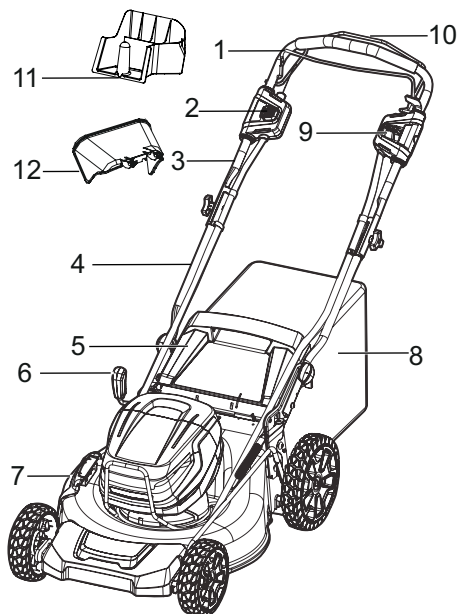
**Mooresville, NC 28115**

<b>1</b>	<b>Finalidad .....</b>	<b>31</b>		9.6	37
<b>2</b>	<b>Perspectiva general.....</b>	<b>31</b>		9.7	37
<b>3</b>	<b>Lista de embalaje.....</b>	<b>31</b>		9.8	38
<b>4</b>	<b>Lea todas las instrucciones .....</b>	<b>31</b>		9.9	38
4.1	Niños y transeúntes .....	31		<b>10</b>	<b>Funcionamiento .....</b>
4.2	Funcionamiento general.....	31		10.1	Puesta en marcha de la máquina..... 38
4.3	Funcionamiento en pendientes.....	33		10.2	Detención de la máquina..... 39
4.4	Servicio/Mantenimiento.....	33		10.3	Funcionamiento del sistema de transmisión autopropulsada..... 39
<b>5</b>	<b>Símbolos en el producto .....</b>	<b>34</b>		10.4	Vaciado del recogehierba..... 39
<b>6</b>	<b>Niveles de riesgo.....</b>	<b>35</b>		10.5	Funcionamiento en pendientes..... 39
<b>7</b>	<b>Eliminación de batería segura para el medio ambiente.....</b>	<b>35</b>		10.6	Consejos de funcionamiento..... 40
<b>8</b>	<b>Propuesta 65.....</b>	<b>36</b>		<b>11</b>	<b>Mantenimiento .....</b>
<b>9</b>	<b>Instalación .....</b>	<b>36</b>		11.1	Mantenimiento general .....
9.1	Desembalaje de la máquina.....	36		11.2	Sustitución de la cuchilla..... 40
9.2	Desplegado del asa inferior.....	36		11.3	Almacenamiento de la máquina..... 40
9.3	Instalación del asa superior .....	36		11.4	Colocación de la máquina sobre un extremo... 41
9.4	Instalación del recogehierba.....	37		<b>12</b>	<b>Solución de problemas .....</b>
9.5	Instalación del tapón de mulching.....	37		<b>13</b>	<b>Datos técnicos.....</b>
				<b>14</b>	<b>Garantía limitada.....</b>

## 1 FINALIDAD

Esta máquina se utiliza para el corte de césped doméstico. La cuchilla de corte debe estar aproximadamente paralela al suelo. Las cuatro ruedas deben tocar el suelo mientras corta el césped.

## 2 PERSPECTIVA GENERAL



- 1 Interruptor de seguridad
- 2 Botón de puesta en marcha
- 3 Asa superior
- 4 Asa inferior
- 5 Puerta de descarga trasera
- 6 Palanca de ajuste de altura
- 7 Cubierta de descarga lateral
- 8 Recogehierba
- 9 Botón de control de velocidad
- 10 Palanca de transmisión de autopropulsión
- 11 Tapón de mulching
- 12 Conducto de descarga lateral

## 3 LISTA DE EMBALAJE

- |                                |          |
|--------------------------------|----------|
| 1 Cortacésped                  | 4 Manual |
| 2 Recogehierba                 |          |
| 3 Conducto de descarga lateral |          |

## 4 LEA TODAS LAS INSTRUCCIONES

### ▲ PELIGRO

Esta máquina se ha construido para utilizarse de acuerdo con las normas para un funcionamiento seguro que se incluyen en este manual. Como con cualquier tipo de equipo eléctrico, un descuido o un error por parte del operario puede provocar lesiones graves. Esta máquina es capaz de amputar manos y pies y de lanzar objetos. El incumplimiento de las instrucciones de seguridad podría provocar lesiones graves o incluso la muerte.

### ¡ NOTA

Cuando utilice cortacéspedes eléctricos, siempre deben seguirse precauciones básicas de seguridad a fin de reducir el riesgo de incendios, descargas eléctricas y lesiones personales. Estas precauciones básicas incluyen lo siguiente:

### 4.1 NIÑOS Y TRANSEÚNTES

Pueden producirse accidentes trágicos si el operario no está alerta a la presencia de niños y transeúntes.

- Mantenga la zona de funcionamiento libre de cualquier persona, especialmente niños pequeños y mascotas.
- Tenga mucho cuidado al acercarse a esquinas ciegas, portales, arbustos, árboles u otros objetos que puedan ocultar su visión de un niño o un transeúnte. Mantenga a los niños, los transeúntes, los ayudantes y las mascotas al menos a 100 pies (30m) del cortacésped cuando esté en funcionamiento. Detenga la máquina si alguien entra en la zona.
- Nunca permita que niños menores de 14 utilicen un cortacésped eléctrico. Los operarios de 14 años en adelante deben leer y entender en su totalidad el manual del operario y las normas de seguridad. Únicamente están autorizadas a utilizar la máquina personas responsables que estén familiarizadas con estas normas de funcionamiento seguro.

### 4.2 FUNCIONAMIENTO GENERAL

- Lea detenidamente este manual del operario en su totalidad antes de montar o utilizar esta máquina. Debe leer, entender y seguir todas las instrucciones en la máquina y en los manuales antes del funcionamiento. Familiarícese con los controles y el uso adecuado de esta máquina antes del funcionamiento. Conserve este manual para su consulta posterior y frecuente.
- No utilice el cortacésped para trabajos distintos del previsto. El cortacésped se ha diseñado para realizar un trabajo exclusivamente: cortar hierba.
- Nunca intente hacer un ajuste de altura de la rueda mientras el motor esté en marcha.
- No fuerce el cortacésped, hará el trabajo mejor y con mayor seguridad a la velocidad para la que se diseñó.

- No se estire, mantenga en todo momento una postura adecuada y el equilibrio. Numerosas lesiones se producen como resultado del paso del cortacésped sobre el pie durante una caída debida a resbalones o tropiezos. En caso de resbalar y caer pueden producirse lesiones personales graves. Si siente que está perdiendo el equilibrio, suelte la palanca de control inmediatamente y la cuchilla dejará de girar en tres segundos.
- Inspeccione exhaustivamente la superficie donde va a utilizarse el equipo y elimine todas las piedras, ramas, cables, huesos y otros objetos extraños.
- Evite el arranque accidental. Asegúrese de que el interruptor esté en la posición de apagado antes de conectar a la batería y al coger o transportar el aparato. El transporte del aparato con el dedo en el interruptor o la conexión de un aparato que tiene el interruptor activado fomenta los accidentes.
- Nunca tire del cortacésped hacia usted mientras camina. Si debe hacer retroceder el cortacésped desde una pared u obstrucción, primero mire hacia abajo y hacia atrás para evitar tropezar, a continuación, siga estos pasos:
  - Aléjese del cortacésped para extender totalmente los brazos.
  - Asegúrese de tener un buen equilibrio.
  - Tire del cortacésped hacia atrás lentamente.
- Desconecte la batería del aparato antes de realizar ajustes, cambiar accesorios o almacenarlo. Estas medidas de seguridad preventivas reducen el riesgo de que el aparato se ponga en marcha accidentalmente.
- Antes y durante el retroceso con el cortacésped, mire hacia atrás y hacia abajo para ver si hay niños pequeños y otras personas.
- No utilice el cortacésped bajo la influencia de alcohol o drogas. Manténgase alerta y observe lo que está haciendo en todo momento. Emplee el sentido común y no utilice el cortacésped cuando esté cansado.
- Lleve siempre gafas o anteojos de seguridad durante la utilización y al realizar un ajuste o reparación para proteger sus ojos. Los objetos proyectados que rebotan pueden producir lesiones graves en los ojos. Lleve siempre una máscara facial o antipolvo si se levanta polvo durante el funcionamiento.
- Manténgase alejado en todo momento de la abertura de descarga. No coloque las manos ni los pies cerca de las piezas giratorias o debajo de la plataforma de corte. El contacto con la cuchilla puede amputar manos y pies.
- Planifique su patrón de corte para evitar la descarga de material hacia caminos, aceras, transeúntes y similares. Asimismo, evite descargar material contra paredes u obstrucciones, lo que puede hacer que el material descargado rebote hacia el operario.
- Para ayudar a evitar la cuchilla o una lesión por un objeto proyectado, permanezca en la zona del operario detrás de las asas.
- Si falta la cubierta de descarga o si esta ha sufrido daños, puede haber contacto con la cuchilla o lesiones por objetos proyectados.
- Los objetos golpeados por la cuchilla del cortacésped pueden producir lesiones graves a las personas. El césped siempre debe examinarse detenidamente y deben eliminarse todos los objetos antes de cada corte.
- Detenga la cuchilla cuando cruce senderos de grava, aceras o caminos.
- Siga todas las instrucciones de carga y no cargue la batería o el aparato fuera del intervalo de temperatura especificado en las instrucciones. La carga incorrecta o a temperaturas fuera del intervalo especificado puede dañar la batería y aumentar el riesgo de incendio.
- Si el cortacésped golpea un objeto extraño, siga estos pasos:
  - Suelte el interruptor de seguridad para desacoplar el motor.
  - Retire la batería.
  - Inspeccione si hay daños.
  - Repare las piezas dañadas antes de volver a poner en marcha y utilizar el cortacésped.
- Solicite a un técnico de reparación cualificado que realice las tareas de servicio utilizando únicamente piezas de repuesto idénticas. Esto garantizará el mantenimiento de la seguridad del producto.
- Lleve indumentaria adecuada, no lleve ropa suelta ni joyas que puedan quedar atrapadas en las piezas móviles. Se recomienda el uso de guantes de seguridad y calzado adecuado cuando se trabaje en el exterior. Lleve zapatos de trabajo resistentes con suela dura y pantalones y camisas ajustados. Se recomiendan camisas y pantalones que cubran los brazos y piernas, así como zapatos con punta de acero. Nunca utilice la máquina descalzo, con sandalias o calzado resbaladizo o ligero (p. ej. de lona).
- No modifique ni intente reparar el aparato o la batería (según corresponda), excepto lo indicado en las instrucciones de uso y cuidado.
- Lleve una protección capilar para sujetar el cabello largo.
- Evite los entornos peligrosos, no utilice el cortacésped en lugares húmedos / mojados o si está lloviendo.
- Almacene los cortacéspedes inactivos en interior – Cuando no estén en uso, los aparatos deben almacenarse en interiores, en un lugar seco y alto o cerrado, fuera del alcance de los niños. Retire siempre la batería del cortacésped antes de almacenarlo.
- Siegue únicamente con luz diurna o con una buena iluminación artificial. Camine, no corra durante la utilización.
- Si el equipo empieza a vibrar de manera anormal, detenga inmediatamente el motor, retire la batería y compruebe la causa. Normalmente la vibración es una advertencia de que la máquina no funciona correctamente.
- Compruebe la bolsa con frecuencia en busca de deterioro y desgaste, y sustituya las bolsas desgastadas. Compruebe que las bolsas de repuesto cumplan las recomendaciones o especificaciones del fabricante original.
- Antes de limpiar la máquina, desatascar o retirar la bolsa de hierba, el inserto para mulching o el conducto de descarga lateral, apague el motor y espere hasta que la



cuchilla se detenga por completo, posteriormente retire la batería. La cuchilla de corte sigue girando durante unos segundos después de apagar el motor. Nunca realice estas funciones hasta que esté seguro de que la cuchilla ha dejado de girar.

- Mantenga los filos de corte limpios y afilados para garantizar el mejor rendimiento.
- Inspeccione periódicamente los dispositivos de seguridad y los cables en busca de daños. En caso de daños, no haga funcionar la unidad hasta que haya sido reparada por un profesional de servicio técnico autorizado.
- Nunca utilice el cortacésped sin la cubierta de descarga adecuada, la bolsa de hierba, el inserto para mulching, el conducto de descarga lateral u otros dispositivos de seguridad en su posición y funcionando. Nunca utilice el cortacésped con dispositivos de seguridad dañados. En caso contrario podrían producirse lesiones personales.
- Utilice únicamente las baterías y cargadores aprobados. Las baterías y cargadores no aprobados pueden producir daños en el cortacésped o lesiones al operario.
- No deseche la batería en el fuego. Las celdas podrían incendiarse o explotar. Compruebe los códigos locales y de tratamiento de residuos para obtener instrucciones adecuadas de eliminación.
- Cuando la batería no esté en uso, manténgala alejada de otros objetos metálicos como clips, monedas, llaves, clavos, tornillos u otros objetos metálicos pequeños, que puedan hacer una conexión entre los terminales. El cortocircuito de los terminales de la batería puede provocar quemaduras o un incendio.
- No abra ni desguace la batería. Los electrolitos contenidos dentro de la batería son corrosivos y pueden producir daños en los ojos o la piel si se liberan. Puede ser tóxico en caso de ingestión.
- Bajo condiciones abusivas, es posible que salga líquido despedido de la batería; evite el contacto. Si se produce un contacto accidental, aclare con agua. Si el líquido entra en contacto con los ojos, acuda también al médico. El líquido despedido de la batería puede provocar irritación o quemaduras.
- No exponga una batería o un aparato al fuego ni a temperatura excesiva. La exposición al fuego o a una temperatura superior a 130°C puede provocar una explosión.
- Tenga cuidado al manipular las baterías para evitar un cortocircuito con materiales conductores, como anillos, pulseras, llaves, etc. La batería o el conductor puede sobrecalentarse y producir quemaduras si se hace contacto con dichos materiales.
- No utilice una batería o un aparato que haya sufrido daños o modificaciones. Las baterías dañadas o modificadas pueden exhibir un comportamiento impredecible que puede dar lugar a un incendio, una explosión o un riesgo de lesiones.

### 4.3 FUNCIONAMIENTO EN PENDIENTES

Las pendientes son un factor principal relacionado con los accidentes por resbalones y caídas, que pueden provocar lesiones graves. Durante el funcionamiento en pendientes, es necesario tomar precauciones adicionales. Si no se siente seguro en una pendiente, no la siegue.

Cosas que debe hacer:

- En las pendientes debe segarse transversalmente; nunca siegue hacia arriba y abajo. Extremar las precauciones cuando cambie de dirección en pendientes.
- Este atento por si hubiera agujeros, surcos, piedras, objetos ocultos o baches que puedan hacer que resbale o tropiece. La hierba alta puede ocultar obstáculos.

Cosas que no debe hacer:

- No siegue en pendientes excesivamente pronunciadas.
- No siegue cerca de precipicios, zanjas o terraplenes; podría perder el equilibrio.
- No siegue en pendientes mayores de 15 grados.
- No siegue hierba mojada. Podría perder el equilibrio y resbalar.

### 4.4 SERVICIO/MANTENIMIENTO

- Compruebe la cuchilla y los pernos de montaje del motor (de la máquina) a intervalos frecuentes para verificar que estén bien apretados.
- Sustituya la cuchilla si está doblada o agrietada. Una cuchilla desequilibrada provoca vibraciones que podrían producir daños en la unidad de accionamiento del motor o provocar lesiones personales.
- Mantenga todas las tuercas, los pernos y los tornillos apretados para garantizar que el equipo esté en condiciones seguras de funcionamiento.
- No lave con una manguera; evite que entre agua en el motor y las conexiones eléctricas.
- Nunca retire ni manipule los dispositivos de seguridad. Compruebe su correcto funcionamiento periódicamente. Nunca haga nada para interferir con la función prevista de un dispositivo de seguridad o para reducir la protección proporcionada por un dispositivo de seguridad.
- Mantenga la máquina libre de hierba, hojas u otros residuos acumulados. Deje que la máquina se enfríe antes de almacenarla.
- Nunca realice ajustes o reparaciones con el motor en marcha.
- Retire siempre la batería de los cortacéspedes antes de realizar tareas de ajuste, limpieza o reparación.
- Compruebe los componentes del recogehierba y la protección de descarga con frecuencia y sustitúyalos por piezas recomendadas por el fabricante, cuando sea necesario.
- Afile una cuchilla desafilada por igual en cada extremo para mantener el equilibrio.

- Mantenga las protecciones en su posición y en estado de funcionamiento. Las cuchillas del cortacésped están afiladas y pueden cortar. Envuelva las cuchillas o lleve guantes y tenga especial cuidado al realizar tareas de servicio.
- Limpie la cuchilla exhaustivamente y compruebe su equilibrio apoyándola horizontalmente sobre un clavo delgado por su orificio central. El clavo también debe estar en posición horizontal. Si cualquiera de los extremos de la cuchilla gira hacia abajo, retire algo de metal del extremo pesado o inferior hasta que la cuchilla esté equilibrada. Está equilibrada cuando ninguno de los extremos cae.
- Utilice únicamente cuchillas de repuesto idénticas.
- Mantenga el cortacésped con cuidado – Mantenga los filos de corte afilados y limpios para obtener el mejor rendimiento de forma segura. Siga las instrucciones para la lubricación y el cambio de accesorios. Inspeccione periódicamente el cable del cortacésped, y si está dañado, haga que lo repare un centro de servicio técnico autorizado.
- Si se producen situaciones que no están cubiertas en este manual, tenga cuidado y utilice el buen juicio o contacte con el servicio al cliente para obtener asistencia.
- Nunca utilice el cortacésped sin las protecciones, placas u otros dispositivos de protección de seguridad adecuados en su posición.











**El intervalo de temperatura ambiente recomendado:**



Elemento	Temperatura
Intervalo de temperatura de almacenamiento del cortacésped	32°F (0°C) - 113°F (45°C)
Intervalo de temperatura de funcionamiento del cortacésped	32°F (0°C) - 113°F (45°C)
Intervalo de temperatura de carga de la batería	39°F (4°C) - 104°F (40°C)
Intervalo de temperatura de funcionamiento del cargador	39°F (4°C) - 104°F (40°C)
Intervalo de temperatura de almacenamiento de la batería	32°F (0°C) - 113°F (45°C)
Intervalo de temperatura de descarga de la batería	32°F (0°C) - 113°F (45°C)

## 5 SÍMBOLOS EN EL PRODUCTO

En esta herramienta pueden utilizarse algunos de los siguientes símbolos. Le rogamos que los estudie y aprenda su significado. La interpretación correcta de estos símbolos le permitirá manejar la herramienta mejor y de manera más segura.




Símbolo	Nombre	Explicación
V	Voltios	Tensión

Símbolo	Nombre	Explicación
A	Amperios	Corriente
Hz	Hertzios	Frecuencia (ciclos por segundo)
W	Vatios	Potencia
min	Minutos	Tiempo
/min	Por minuto	Revoluciones, carreras, velocidad de superficie, órbitas, etc., por minuto
	Corriente alterna	Tipo de corriente
	Corriente continua	Tipo o una característica de corriente
n <sub>0</sub>	Velocidad sin carga	Velocidad rotacional, sin carga
	Alerta de seguridad	Precauciones que afectan a su seguridad.
	Protección ocular	Lleve siempre protección ocular con protectores laterales marcada para cumplir la ANSI Z87.1 cuando utilice este equipo.
	ADVERTENCIA --- Condiciones húmedas	No exponga el producto a la lluvia o a condiciones de humedad.
	Lea el manual del operario	Para reducir el riesgo de lesiones, el usuario debe leer y entender el manual del operario antes de utilizar este producto.
	Mantenga los dispositivos de seguridad	No abra ni retire los dispositivos de seguridad mientras la herramienta esté funcionando.
	Mire hacia atrás cuando retroceda	Mire hacia abajo y hacia atrás en primer lugar para evitar tropezar al retroceder.
	PELIGRO --- Mantenga alejados los pies y las manos	Para reducir el riesgo de lesiones, mantenga las manos y los pies alejados de las piezas giratorias. No utilice a menos que la cubierta de descarga o la bolsa de hierba estén en su posición. En caso de daños, sustituya inmediatamente.
	PELIGRO --- Mantenga alejados a los transeúntes	No corte el césped cuando haya niños u otras personas cerca.

Símbolo	Nombre	Explicación
	PELIGRO --- Proyección de residuos	Retire los objetos que puedan ser proyectados por la cuchilla en cualquier dirección. Lleve gafas de seguridad.
	PELIGRO --- Riesgo en pendientes pronunciadas	Tenga mucho cuidado en las pendientes. No siga en pendientes con una inclinación superior a 15 grados.

## 6 NIVELES DE RIESGO

Las siguientes indicaciones y significados tienen como fin explicar los niveles de riesgo asociados a este producto.

SÍMBOLO	INDICACIÓN	SIGNIFICADO
	PELIGRO	Indica una situación de peligro inminente que, de no evitarse, provocará lesiones graves o incluso la muerte.
	ADVERTENCIA	Indica una situación de peligro potencial que, de no evitarse, podría provocar lesiones graves o incluso la muerte.
	PRECAUCIÓN	Indica una situación de peligro potencial que, de no evitarse, puede provocar lesiones leves o moderadas.
	PRECAUCIÓN	(Sin símbolo de alerta sobre seguridad) Indica una situación que puede provocar daños materiales.

## 7 ELIMINACIÓN DE BATERÍA SEGURA PARA EL MEDIO AMBIENTE



Los materiales tóxicos y corrosivos que figuran a continuación se encuentran en las baterías utilizadas en esta máquina: **Ion de litio, un material tóxico.**

### ▲ AVISO

Deseche todos los materiales tóxicos de una manera especificada para evitar la contaminación del medio ambiente. Antes de desechar una batería de ion de litio dañada o agotada, contacte con la agencia local de eliminación de residuos o con la agencia de protección ambiental local para obtener información e instrucciones específicas. Lleve las baterías a un centro de reciclaje o eliminación local, certificado para la eliminación de ion de litio.

### ▲ AVISO

Si la batería se agrieta o se rompe, con o sin fugas, no la recargue ni la utilice. Deséchela y sustitúyala por una batería nueva. ¡NO INTENTE REPARARLA! Para evitar lesiones y riesgos de incendio, explosión o descarga eléctrica, y para evitar daños al medio ambiente:

- Cubra los terminales de la batería con cinta adhesiva resistente.
- NO intente retirar o destruir ninguno de los componentes de la batería.
- NO intente abrir la batería.
- Si se produce una fuga, los electrolitos liberados son corrosivos y tóxicos. NO deje que la solución entre en contacto con los ojos o la piel, y no la ingiera.
- NO deseche estas baterías con la basura doméstica normal.
- NO incinere.
- NO lleve las baterías a lugares donde formarán parte de vertederos de residuos o flujos de residuos sólidos urbanos.
- Llévelas a un centro de reciclaje o eliminación certificado.

## 8 PROPUESTA 65

### ▲ AVISO

Este producto contiene una sustancia química conocida en el estado de California como causante de cáncer, defectos de nacimiento u otros daños reproductivos. El polvo generado por el lijado eléctrico, el serrado, el esmerilado, la perforación y otras actividades de construcción contiene sustancias químicas que se sabe que son causantes de cáncer, defectos de nacimiento u otros daños reproductivos. Algunos ejemplos de estas sustancias químicas son:

- Plomo de pinturas con base de plomo;
- Sílice cristalina de ladrillos y cemento y otros productos de albañilería;
- Arsénico y cromo de la madera tratada químicamente.

El riesgo de exposición a estas sustancias químicas varía según la frecuencia con la que realice este tipo de trabajo. Para reducir su exposición a estas sustancias químicas, trabaje en una zona bien ventilada y trabaje con equipos de seguridad aprobados, como máscaras antipolvo, que estén especialmente diseñadas para filtrar partículas microscópicas.

Conserve estas instrucciones.

## 9 INSTALACIÓN

### ▲ AVISO

No cambie ni utilice accesorios que no sean los recomendados por el fabricante.

### ▲ AVISO

No coloque la llave de seguridad ni la batería hasta que no haya montado todas las piezas.

### 9.1 DESEMBALAJE DE LA MÁQUINA

#### ▲ AVISO

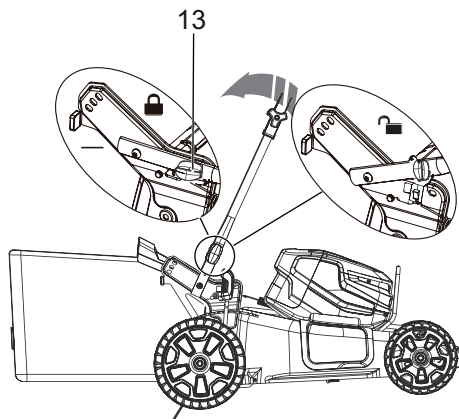
Asegúrese de montar correctamente la máquina antes del uso.

#### ▲ AVISO

- Si las piezas presentan daños, no utilice la máquina.
- Si no tiene todas las piezas, no utilice la máquina.
- Si faltan piezas o hay piezas dañadas, hable con el centro de servicio.

1. Abra el embalaje.
2. Lea la documentación que se encuentra en la caja.
3. Retire todas las piezas sin montar de la caja.
4. Retire la máquina de la caja.
5. Deseche la caja y el embalaje de conformidad con los reglamentos locales.

### 9.2 DESPLEGADO DEL ASA INFERIOR



1. Tire de los mandos del asa (13) y gírelos 90°.
2. Despliegue el asa inferior.
3. Alinee los mandos de las asas en una de las tres posiciones en los soportes.
4. Gire los mandos de las asas 90° hasta que encajen en los orificios de los soportes.

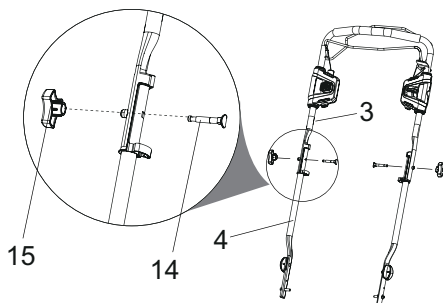
#### i NOTA

Asegúrese de que los dos mandos de las asas estén en la misma posición.

#### ▲ AVISO

No dañe ni pellizque los cables cuando pliegue o despliegue el asa.

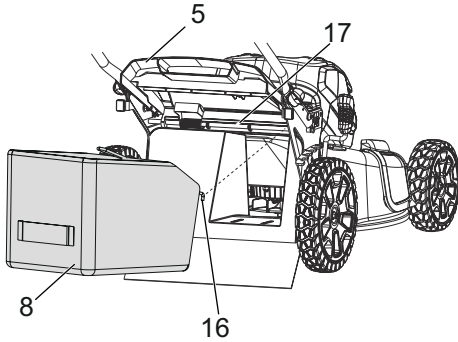
### 9.3 INSTALACIÓN DEL ASA SUPERIOR



1. Alinee los orificios del asa superior (3) y el asa inferior (4).
2. Introduzca los pernos (14) por los orificios.

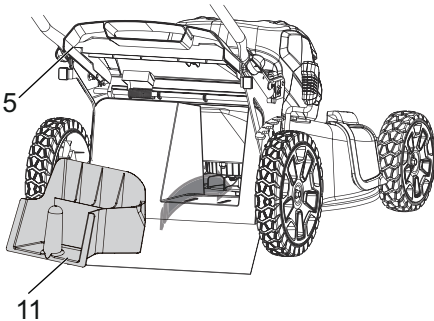
3. Apriete los mandos (15) en los pernos.
4. Realice la misma operación en el otro lado.

## 9.4 INSTALACIÓN DEL RECOGEHIERBA



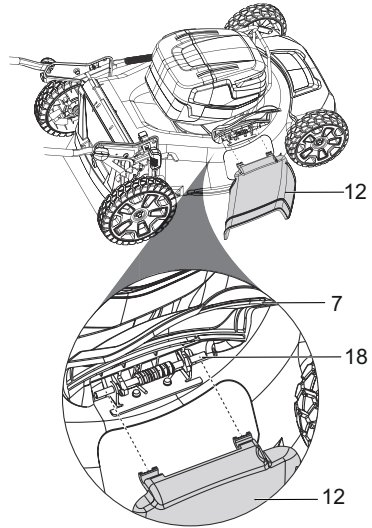
1. Retire el tapón de mulching.
2. Retire el conducto de descarga lateral.
3. Abra la puerta de descarga trasera (5) y sujétela.
4. Sostenga el recogehierba (8) por el asa y enganche los ganchos (16) en la varilla de la puerta (17).
5. Cierre la puerta de descarga trasera.

## 9.5 INSTALACIÓN DEL TAPÓN DE MULCHING



1. Retire el recogehierba.
2. Abra la puerta de descarga trasera (5) y sujétela.
3. Sujete el tapón de mulching (11) por su asa y colóquelo en el conducto de descarga.
4. Cierre la puerta de descarga trasera.

## 9.6 INSTALACIÓN DEL CONDUCTO DE DESCARGA LATERAL DE DESCARGA LATERAL



### ▲ PRECAUCIÓN

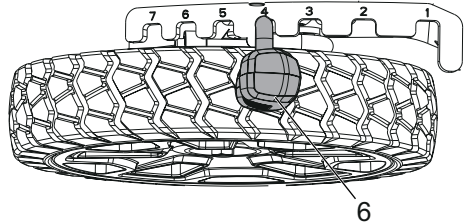
Cuando utilice el conducto de descarga lateral,

- no instale el recogehierba.
- mantenga instalado el tapón de mulching.

1. Abra la puerta de descarga lateral (7) y sujétela.
2. Alinee los huecos del conducto de descarga lateral (12) debajo de la articulación (18).
3. Cierre la puerta de descarga lateral.

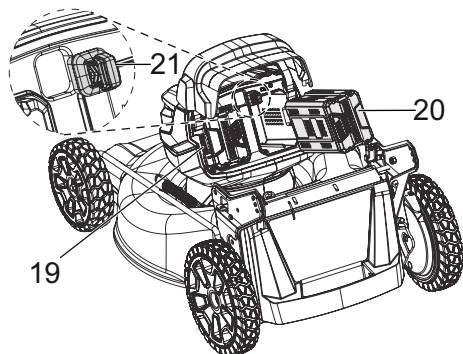
## 9.7 AJUSTE DE LA ALTURA DE LA CUCHILLA

La máquina puede ajustarse a distintas alturas de cuchilla.



1. Tire hacia atrás de la palanca de ajuste de altura (6) para aumentar la altura de la cuchilla.
2. Tire hacia delante de la palanca de ajuste de altura para disminuir la altura de la cuchilla.

## 9.8 INSTALACIÓN DE LA BATERÍA



### ▲ AVISO

- Si la batería o el cargador ha sufrido daños, sustituya la batería o el cargador.
- Detenga la máquina y espere hasta que el motor se pare antes de instalar o retirar la batería.
- Debe leer, conocer y seguir las instrucciones del manual de la batería y el cargador.

### i NOTA

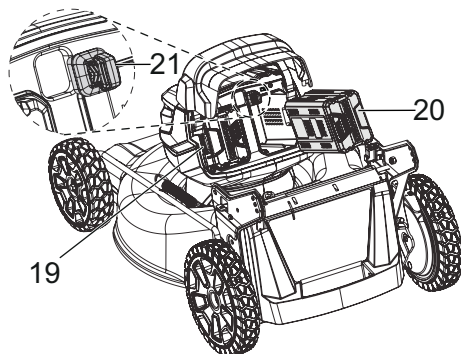
La máquina tiene un compartimento de almacenamiento de batería que ayuda a almacenar la batería.

1. Abra la puerta de la batería.
2. Alinee las nervaduras de elevación de la batería (20) con las ranuras del compartimento de la batería.
3. Introduzca la batería en el compartimento de la batería hasta que encaje en su posición.
4. Cuando escuche un clic, la batería está instalada.
5. Cierre la puerta de la batería.

### i NOTA

El motor arranca solo cuando se introduce la llave de seguridad (21).

## 9.9 RETIRADA DE LA BATERÍA



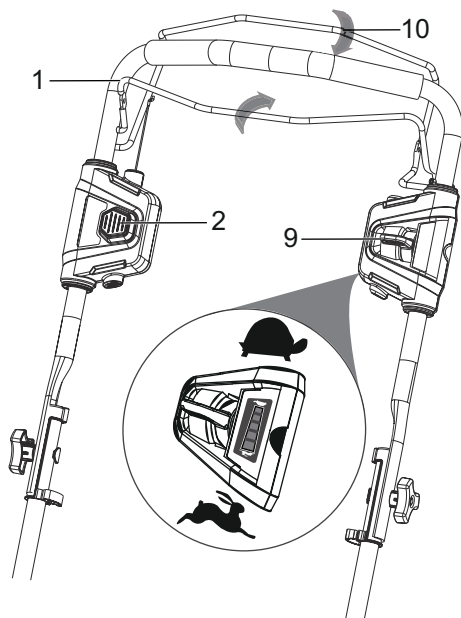
1. Abra la puerta de la batería.
2. Pulse y mantenga pulsado el botón de desbloqueo de la batería (19).
3. Retire la batería de la máquina.

## 10 FUNCIONAMIENTO

### ▲ AVISO

Lleve protección ocular durante el funcionamiento.

### 10.1 PUESTA EN MARCHA DE LA MÁQUINA



1. Pulse y mantenga pulsado el botón de puesta en marcha (2).
2. Mientras mantiene pulsado el botón de puesta en marcha, tire del interruptor de seguridad (1) en la dirección del manillar.
3. Una vez que la máquina esté en marcha, puede soltar el botón de puesta en marcha.

## 10.2 DETENCIÓN DE LA MÁQUINA

1. Suelte el interruptor de seguridad para detener la máquina.

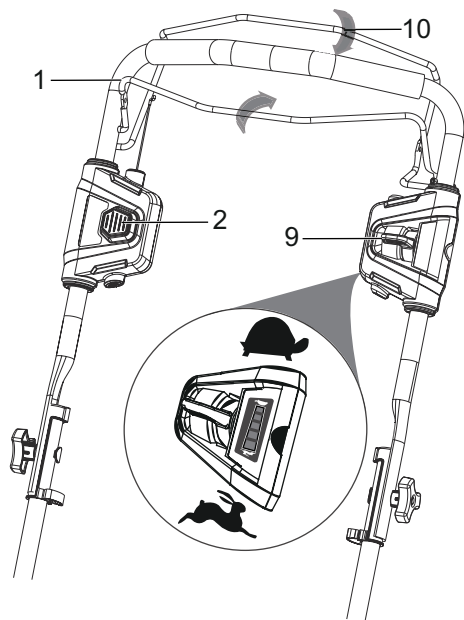
### ▲ AVISO

Espere hasta que las cuchillas se detengan por completo antes de volver a poner en marcha la máquina. No apague y encienda la máquina rápidamente.

### ▲ AVISO

Retire siempre la batería tras finalizar el trabajo.

## 10.3 FUNCIONAMIENTO DEL SISTEMA DE TRANSMISIÓN AUTOPROPULSADA



1. Ponga en marcha la máquina.
2. Mientras mantiene el interruptor de seguridad (1), tire de la palanca de autopropulsión (10) en la dirección del manillar.

3. Sujete el interruptor de seguridad y la palanca de autopropulsión al mismo tiempo con la mano derecha.
4. Ajuste el botón de control de velocidad (9) con la mano izquierda.

- Empuje el botón de control de velocidad en la dirección del símbolo del conejo para aumentar la velocidad.
- Tire del botón de control de velocidad en la dirección del símbolo de la tortuga para disminuir la velocidad.

5. Suelte la palanca de autopropulsión para cerrar el sistema de autopropulsión.

**Para acoplar el sistema de transmisión autopropulsada mientras el cortacésped no está funcionando:**

- Tire de la palanca de autopropulsión (10) hacia arriba en dirección al asa.

**Para desacoplar el sistema de transmisión autopropulsada mientras el cortacésped no está funcionando:**

- Suelte la palanca de autopropulsión.

## 10.4 VACIADO DEL RECOGEHIERBA

1. Detenga la máquina.
2. Retire la batería.
3. Abra la puerta de descarga trasera y sujétela.
4. Sostenga el recogehierba por el asa y desengánchelo de la varilla de la puerta.
5. Cierre la puerta de descarga trasera.
6. Vacíe el recogehierba.

## 10.5 FUNCIONAMIENTO EN PENDIENTES

### ▲ AVISO

No siegue en pendientes con una inclinación superior a 15°. Si no está cómodo, no siegue en una pendiente.

### ▲ AVISO

Mantenga una velocidad de autopropulsión baja cuando siegue en una pendiente.

- No suba y baje en una pendiente, siegue transversalmente la superficie de la misma. Tenga cuidado al cambiar de dirección en una pendiente.
- Supervise los orificios, surcos, piedras y otros objetos ocultos que pueden hacer que se caiga. Elimine todos los obstáculos como piedras y ramas de árboles.
- Asegúrese de tener un equilibrio estable. Si pierde el equilibrio, suelte el interruptor de seguridad inmediatamente.
- No siegue cerca de precipicios, zanjas o terraplenes.

## 10.6 CONSEJOS DE FUNCIONAMIENTO

- No intente anular el funcionamiento del botón de puesta en marcha o el interruptor de seguridad.
- No incline la máquina cuando la ponga en marcha.
- No ponga las manos ni los pies cerca o debajo de las piezas giratorias.
- Mantenga limpio el conducto de descarga.
- No corte hierba mojada.
- Es necesaria una mayor altura de la cuchilla para césped nuevo o denso.
- Limpie la parte inferior de la plataforma del cortacésped después de cada uso. Retire los recortes de hierba, las hojas, la suciedad y otros residuos.

## 11 MANTENIMIENTO

### ▲ AVISO

Retire la llave de seguridad y la batería de la máquina antes de realizar tareas de mantenimiento.

### ▲ AVISO

Mantenga el motor y la batería libres de hierba, hojas o un exceso de grasa.

### ▲ PRECAUCIÓN

Utilice únicamente piezas de repuesto aprobadas.

### ▲ PRECAUCIÓN

No permita que líquidos de frenos, gasolina y otros derivados del petróleo toquen las piezas de plástico. Las sustancias químicas pueden dañar el plástico y hacer que quede inservible.

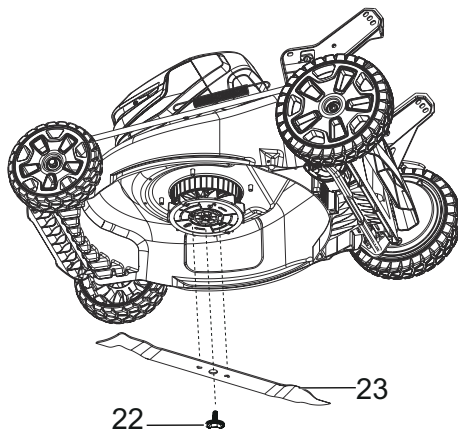
### ▲ PRECAUCIÓN

No utilice disolventes o detergentes fuertes en la carcasa o los componentes de plástico.

## 11.1 MANTENIMIENTO GENERAL

- Antes de cada uso, examine la máquina para comprobar si hay piezas dañadas, ausentes o sueltas como tornillos, tuercas, pernos y tapas.
- Apriete correctamente todos los elementos de fijación y las tapas.
- Limpie la máquina con un paño seco. No utilice agua.

## 11.2 SUSTITUCIÓN DE LA CUCHILLA



### ▲ AVISO

Utilice únicamente cuchillas de repuesto aprobadas.

### ▲ AVISO

Lleve guantes gruesos o enrolle un trapo alrededor de la cuchilla cuando la toque.

1. Detenga la máquina.
2. Asegúrese de que la cuchilla se detenga por completo.
3. Retire la batería.
4. Apoye la máquina sobre un lateral.
5. Utilice un trozo de madera para impedir el movimiento de la cuchilla.
6. Retire el tornillo de montaje (22) con una llave o una llave de tubo.
7. Retire la cuchilla (23).
8. Coloque una cuchilla nueva con los filos de corte hacia el suelo. Asegúrese de que las flechas se acoplen en los orificios de la cuchilla.
9. Apriete el tornillo de montaje.

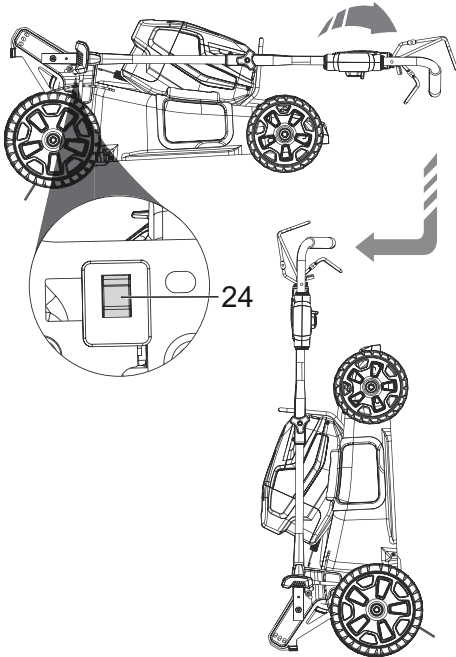
## 11.3 ALMACENAMIENTO DE LA MÁQUINA

- Limpie la máquina antes del almacenamiento.
- Asegúrese de que el motor no esté caliente cuando almacene la máquina.
- Asegúrese de que la máquina no tenga piezas sueltas o dañadas. Si es necesario, siga estos pasos/estas instrucciones:
  - Sustituya las piezas dañadas.
  - Apriete los pernos.



- Hable con una persona de un centro de servicio aprobado.
- Almacene la máquina en una zona seca.
- Asegúrese de que los niños no puedan acercarse a la máquina.

### 11.4 COLOCACIÓN DE LA MÁQUINA SOBRE UN EXTREMO



1. Retire el recogehierba.
2. Tire de los mandos del asa y gírelos 90°.
3. Pliegue el asa.
4. Gire los mandos del asa 90° para bloquear el asa en su posición.
5. Coloque la máquina sobre un extremo y asegúrese de que los soportes toquen el suelo.

#### Interruptor de almacenamiento

La máquina tiene un interruptor de almacenamiento (24) que impide su puesta en marcha en la posición de almacenamiento.

Es necesario quitar la llave de seguridad y la batería para evitar la puesta en marcha accidental o el uso no autorizado. El interruptor de almacenamiento no sustituye a esta función.

## 12 SOLUCIÓN DE PROBLEMAS

Problema	Posible causa	Solución
El asa no está en posición.	Los pernos no se han acoplado correctamente.	Ajuste la altura del asa y asegúrese de que los mandos y los pernos se hayan alineado correctamente.
La máquina no se pone en marcha.	La capacidad de la batería está baja.	Cargue la batería.
	El interruptor de seguridad está defectuoso.	Sustituya el interruptor de seguridad.
La máquina corta la hierba irregularmente.	La llave de la batería no se ha introducido.	Introduzca la llave de la batería.
	El césped es agreste.	Examine la superficie de segado.
La función de mulching de la máquina no se realiza correctamente.	La altura de la cuchilla no se ha ajustado correctamente.	Mueva las ruedas a una posición más alta.
	Hay recortes de hierba mojada adheridos a la plataforma.	Espere hasta que la hierba se seque antes de segar.
Es difícil empujar la máquina.	Falta el tapón de mulching.	Instale el tapón de mulching.
	La hierba está demasiado alta o la altura de la cuchilla es demasiado baja.	Aumente la altura de la cuchilla.
Es difícil empujar la máquina.	El recogehierba y la cuchilla arrastran cuando se trabaja en hierba densa.	Vacíe los recortes de hierba del recogehierba.

Problema	Posible causa	Solución
Hay una vibración elevada en la máquina.	La cuchilla está desequilibrada y desgastada.	Sustituya la cuchilla.
	El eje del motor está doblado.	<ol style="list-style-type: none"> <li>1. Detenga el motor.</li> <li>2. Retire la llave de seguridad y la batería.</li> <li>3. Desconecte la fuente de alimentación.</li> <li>4. Inspeccione si hay daños.</li> <li>5. Repare la máquina antes de volver a ponerla en marcha.</li> </ol>
La máquina se detiene durante el segado.	La altura de la cuchilla es demasiado baja.	Aumente la altura de la cuchilla.
	La batería se ha agotado.	Cargue la batería.
	Hay recortes de hierba adheridos a la plataforma o a la cuchilla.	Retire la batería y compruebe la plataforma.
	La temperatura de funcionamiento de la máquina es demasiado alta.	Deje enfriar la máquina.

\* Si no puede encontrar la solución a estos problemas, vaya al centro de servicio.

## 13 DATOS TÉCNICOS

Tensión	82 V
Modelo de batería	GL 500 y otras series BAB
Modelo de cargador	GC 400 y otras series CAB
Velocidad sin carga	2800 RPM
Ajustes de altura	1 3/8 - 3 3/4" (3.5 - 9.5) cm
Velocidad autopropulsada	1.6-4.8 fps (0.5-1.5) m/s
Funciones	3-in-1 Mulching, bolsa trasera y descarga lateral
Peso (sin batería)	68.3 lbs (31) kg

Estructura con doble aislamiento



## 14 GARANTÍA LIMITADA



Por la presente Greenworks Commercial garantiza este producto, al comprador original con el comprobante de compra, garantía de 2 años para el grupo motopropulsor comercial, garantía de 2 años para la batería comercial frente a defectos en materiales, piezas o mano de obra. A su entera discreción Greenworks Commercial reparará o sustituirá cualquiera y todas las piezas que resulten ser defectuosas, con un uso normal, sin coste alguno para el cliente. Esta garantía es válida únicamente para unidades que se hayan utilizado para uso personal o comercial y cuyo mantenimiento se haya realizado de acuerdo con las instrucciones del manual del propietario suministrado con el producto nuevo.

### COBERTURA DE GARANTÍA LIMITADA DE 2 AÑOS DEL GRUPO MOTOPROPULSOR:

- Motor
- Placas de circuitos impresos
- Caja de engranajes
- 2 años desde la fecha de compra (no transferible)

### COBERTURA DE GARANTÍA LIMITADA DE 2 AÑOS DE LA BATERÍA:

- Baterías comerciales de Greenworks (GL 250, GL 400, GL 500, GL 900, GLW 300, GLW 600, GL400BT y otras series)
- 2 años desde la fecha de compra (no transferible)

### COBERTURA DE GARANTÍA LIMITADA DE 60 DÍAS DE PIEZAS DE DESGASTE:

- Barras
- Cuchillas
- Protecciones
- Cadenas
- Cabezales de avance por sacudida
- Dientes
- 60 días desde la fecha de compra (no transferible)

## **EXCLUSIONES DE GARANTÍA, LIMITACIONES Y DERECHOS:**

1. Las garantías no pueden ser transferidas por el consumidor a otros compradores posteriores.
2. Piezas o componentes no suministrados por el garante, o piezas o componentes que hayan sido modificados.
3. Cualquier fallo debido al uso de herramientas inadecuadas o procedimientos de reparación inadecuados.
4. Cualquier fallo debido al uso de herramientas inadecuadas o procedimientos de reparación inadecuados.
5. Cualquier fallo o pieza que deje de funcionar debido a accidente, impacto, abuso, mal uso, negligencia, manejo inadecuado, desafilado de los fillos de corte o en caso de no utilizar el producto de acuerdo con la información proporcionada en el manual de instrucciones suministrado con el producto.
6. Artículos de mantenimiento de rutina tales como lubricantes, afilado de cuchillas.
7. La unidad, si no ha sido utilizada o mantenida de acuerdo con el manual del propietario.
8. La unidad, si no ha sido utilizada o mantenida de acuerdo con el manual del propietario.

## **LÍNEA DE ASISTENCIA TELEFÓNICA DE GREENWORKS:**

Puede contactar con el servicio de garantía llamando a nuestra línea de asistencia telefónica gratuita, a 1-855-470-4267.

## **COSTES DE TRANSPORTE:**

Los costes de transporte por el desplazamiento de cualquier unidad o accesorio de equipos eléctricos son responsabilidad del comprador. Es responsabilidad del comprador pagar los costes de transporte de cualquier pieza enviada para su sustitución bajo esta garantía, a menos que dicha devolución sea solicitada por escrito por Greenworks Commercial.

**Greenworks Tools**  
**P.O. Box 1238**  
**Mooresville, NC 28115**

