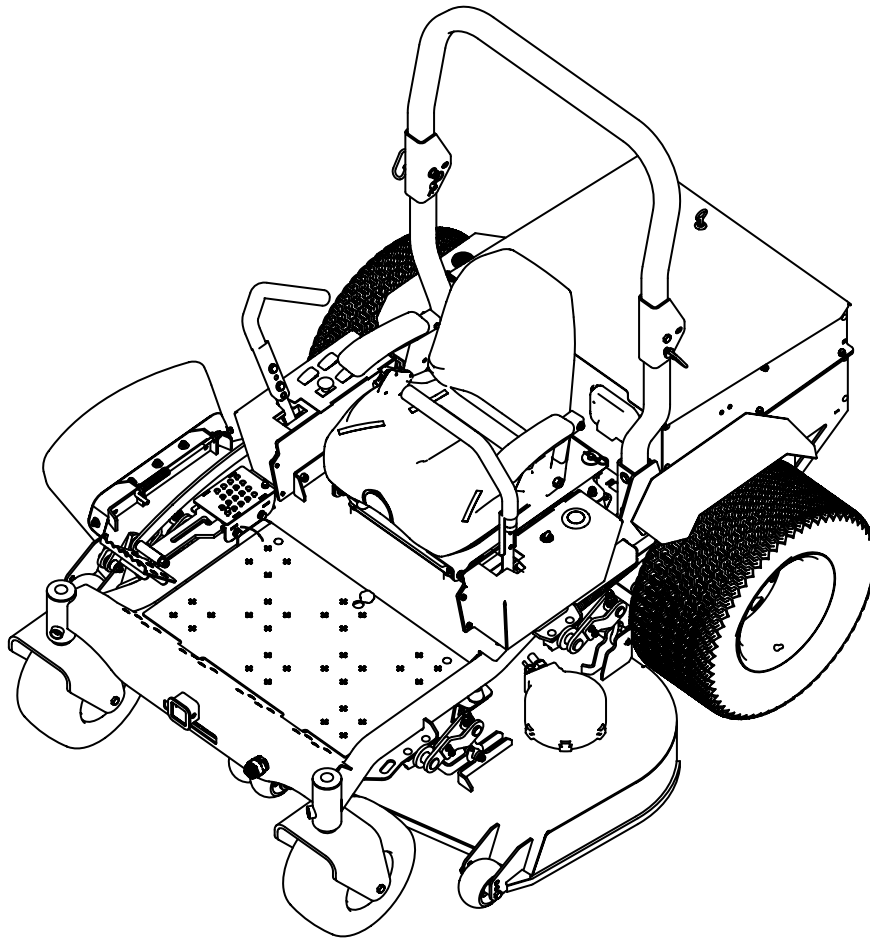


GREENWORKS

COMMERCIAL

Zero Turn Mower
7405302 (Model No.PZ60R)
7405202 (Model No.PZ52R)



Parts Manual

TOLL-FREE HELPLINE: 1-855-470-4267

www.GreenworksCommercial.com

 Read all safety rules and instructions carefully before operating this tool.

CONTENTS

Labels

LABELS-WARNING/SAFETY.....	15
LABELS-BRAND/MODEL.....	16
LABELS-FUNCTION.....	17

Body and structures

FRAME.....	21
BATTERY COVER.....	22
ROPS.....	29

Electrical System

BATTERY AND CHARGER.....	31
CONTROLLERS AND BOX.....	32
WIRE HARNESS.....	33
SWITCHES.....	35
LIGHTS.....	39

Deck System

DECK, MOTORS AND BLADES.....	41
DECK COMPONENTS.....	42
DISCHARGE CHUTE.....	43
DECKLIFT.....	45
DECKLIFT FRONT ROTATING SHAFT ASSEMBLY.....	46
DECKLIFT REAR ROTATING SHAFT ASSEMBLY.....	47

Drive System

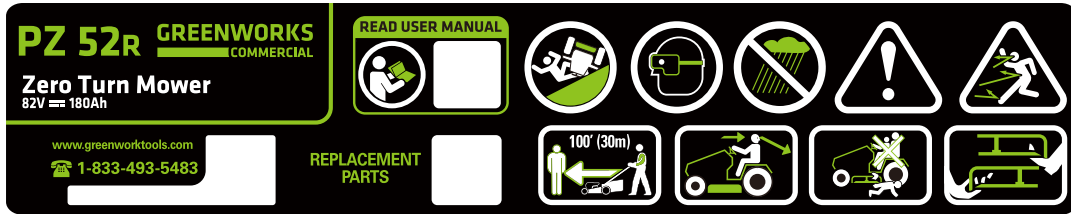
WHEELS.....	51
DRIVE MOTOR AND TRANSMISSION.....	55

Operator System

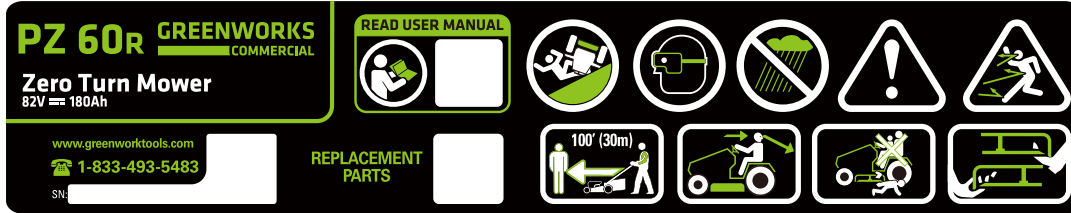
SEAT.....	61
CONTROL ARMS.....	63
RH CONTROL ARM SUB STRUCTURE.....	64
LH CONTROL ARM SUB STRUCTURE.....	65

NOTE: ILLUSTRATIONS MAY OR MAY NOT REPRESENT THE ACTUAL ASSEMBLIES AND IT IS NOT RECOMMENDED TO USE THIS MANUAL AS A GUIDE TO ASSEMBLE OR DISASSEMBLE THE MOWER.

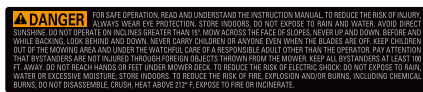
LABELS-WARNING/SAFETY



15-1 (for 7405202)



15-1 (for 7405202)



15-2



15-3

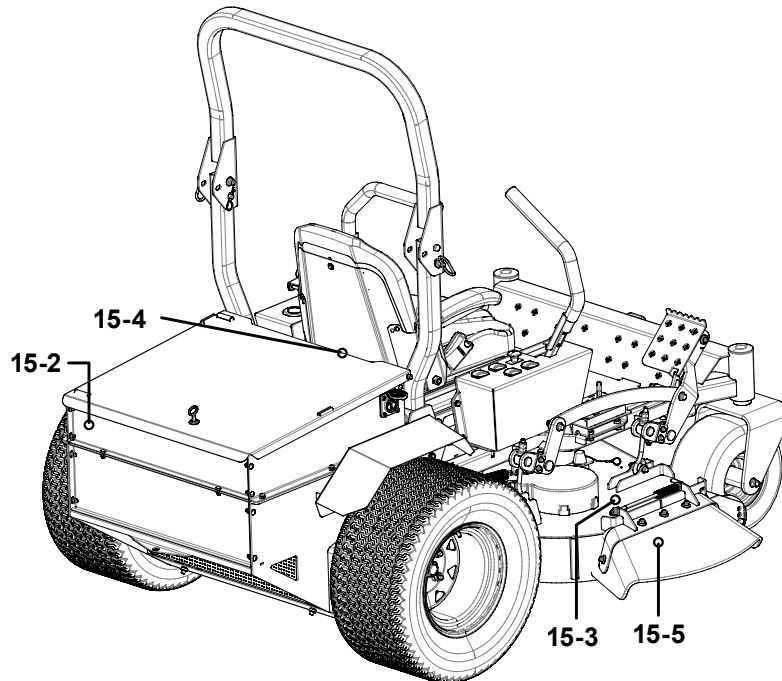
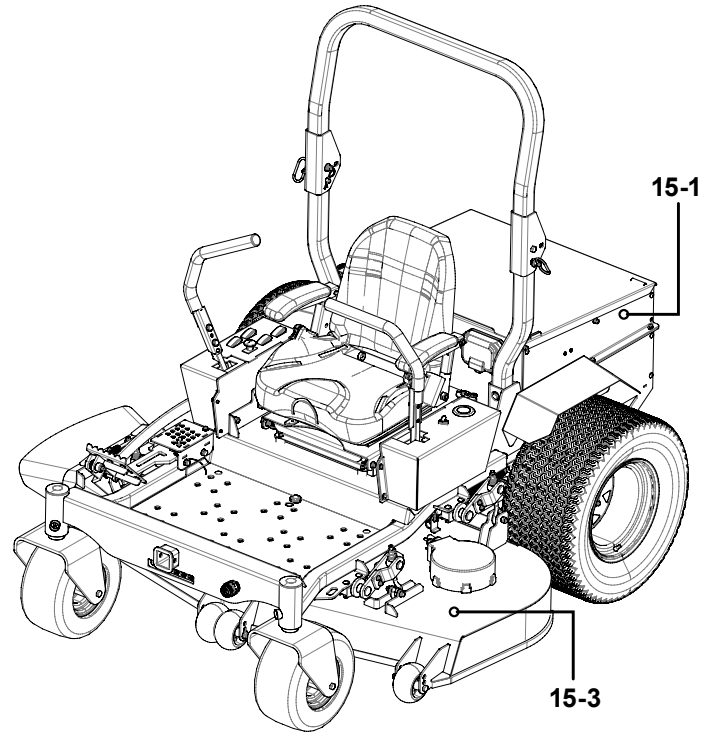


15-4



15-5

ITEM NO.	PART NO.	DESCRIPTION	QTY
15-01	R0202952-00 (For 7405202)	52in safety label	1
	R0202957-00 (For 7405302)	60in safety label	1
15-02	R0201623-00	Warning label	1
15-03	R0202922-00	No standing label	2
15-04	R0201625-00	CP65 label	1
15-05	R0201627-00	Keep H/F away	1



LABELS-BRAND/MODEL

GREENWORKS COMMERCIAL

16-1

82 VOLT^{MAX}
LITHIUM

16-2



16-3

PZ 52R

16-4 (for 7405202)

52"

16-5 (for 7405202)

PZ 60R

16-4 (for 7405302)

60"

16-5 (for 7405302)

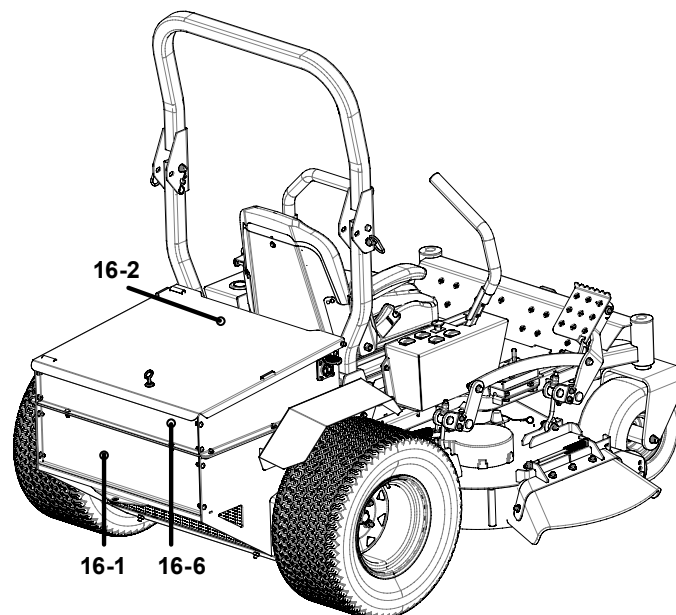
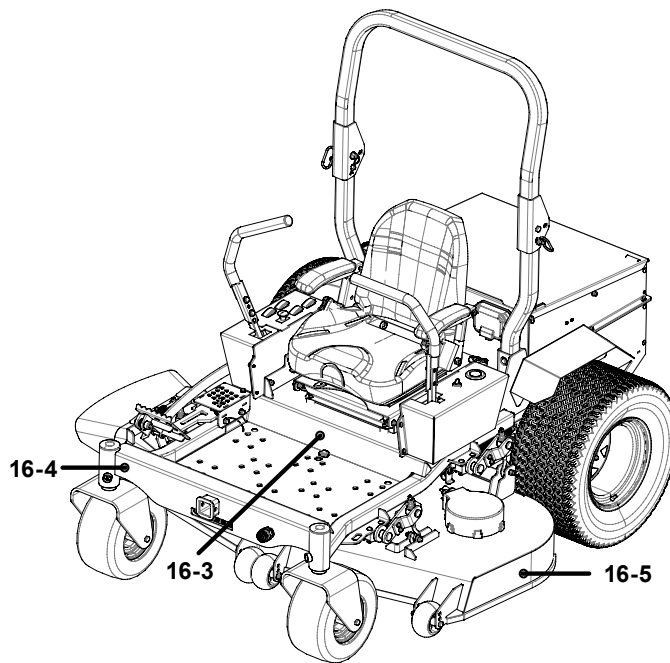
PZ 52R

16-6 (for 7405202)

PZ 60R

16-6 (for 7405302)

ITEM NO.	PART NO.	DESCRIPTION	QTY
16-01	R0201628-00	Greenworks COMMERCIAL label	1
16-02	R0201629-00	82V li-ion max label	1
16-03	R0201630-00	GC LOGO label	1
16-04	R0202951-00 (For 7405202)	52in model label_Black	1
	R0202956-00 (For 7405302)	60in model label_Black	1
16-05	R0202918-00 (For 7405202)	52in deck size label	1
	R0202929-00 (For 7405302)	60in deck size label	1
16-06	R0202953-00 (For 7405202)	52in model label_Green	1
	R0202958-00 (For 7405302)	60in model label_Green	1



LABELS-FUNCTION



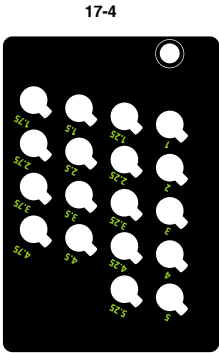
17-1



17-2

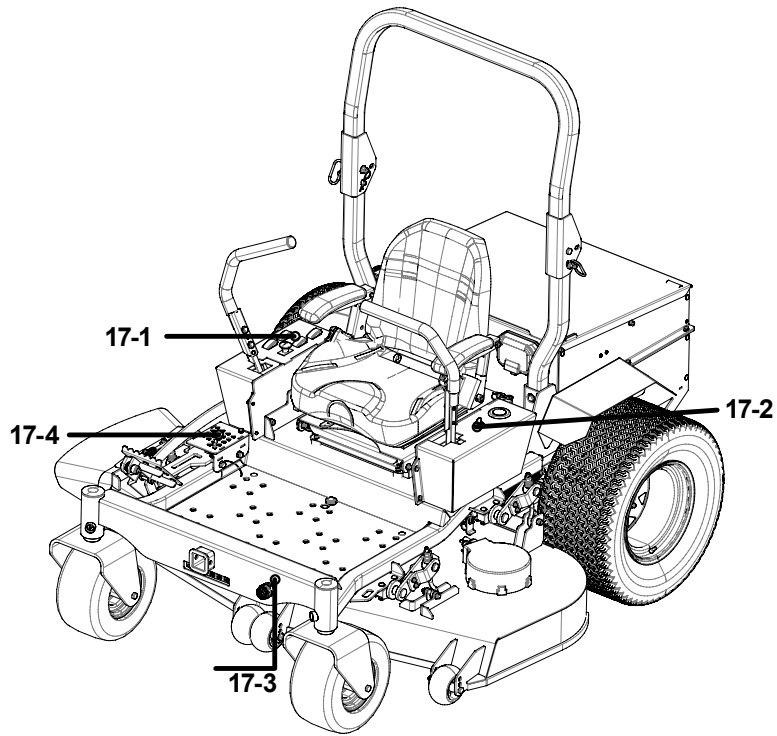


17-3

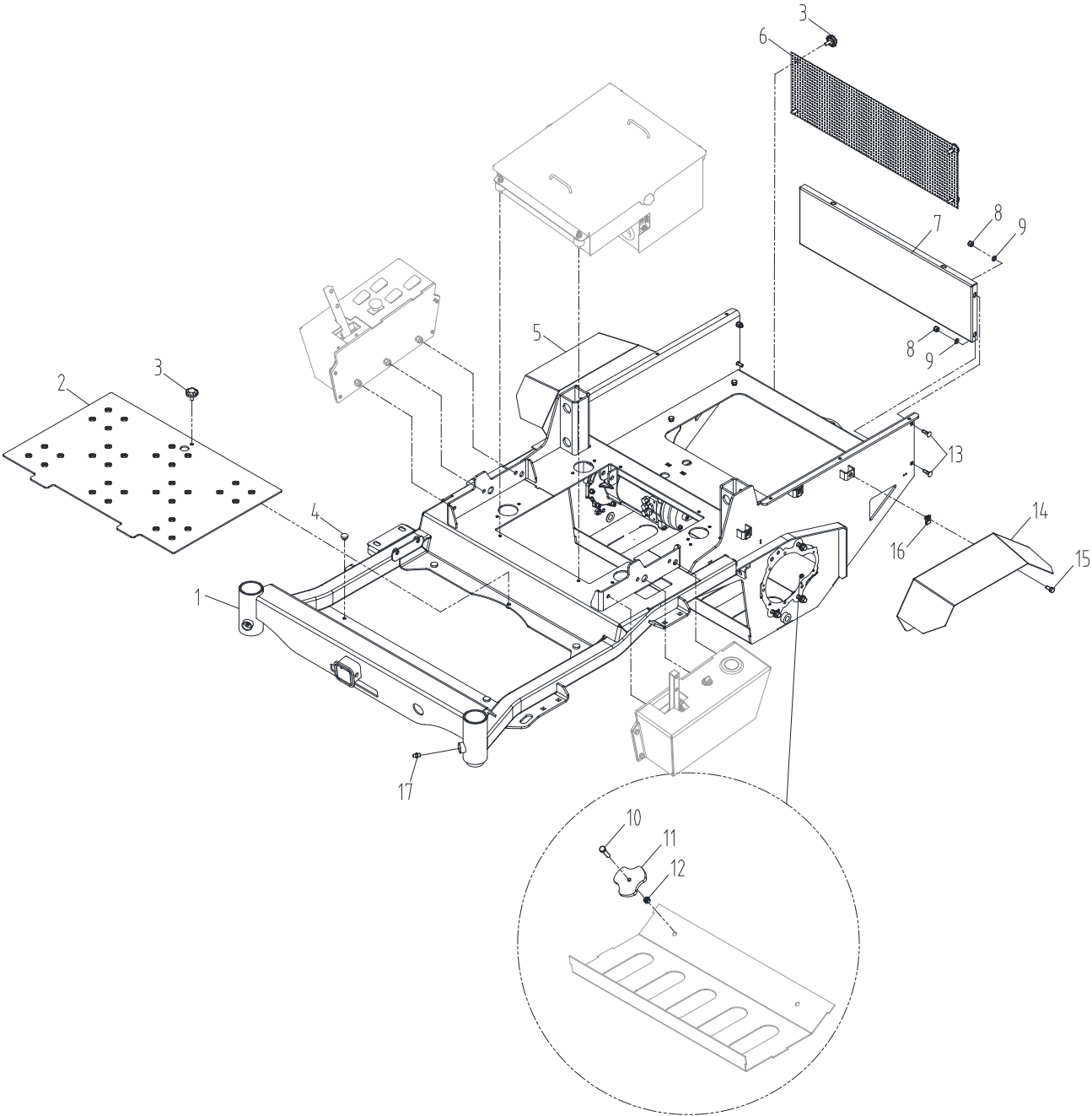


17-4

ITEM NO.	PART NO.	DESCRIPTION	QTY
17-01	R0202954-00	Control panel-L label	1
17-02	R0202955-00	Control panel-R label	1
17-03	R0202919-00	ETO socket label	1
17-04	R0202917-00	Cutting height adjustment label	1

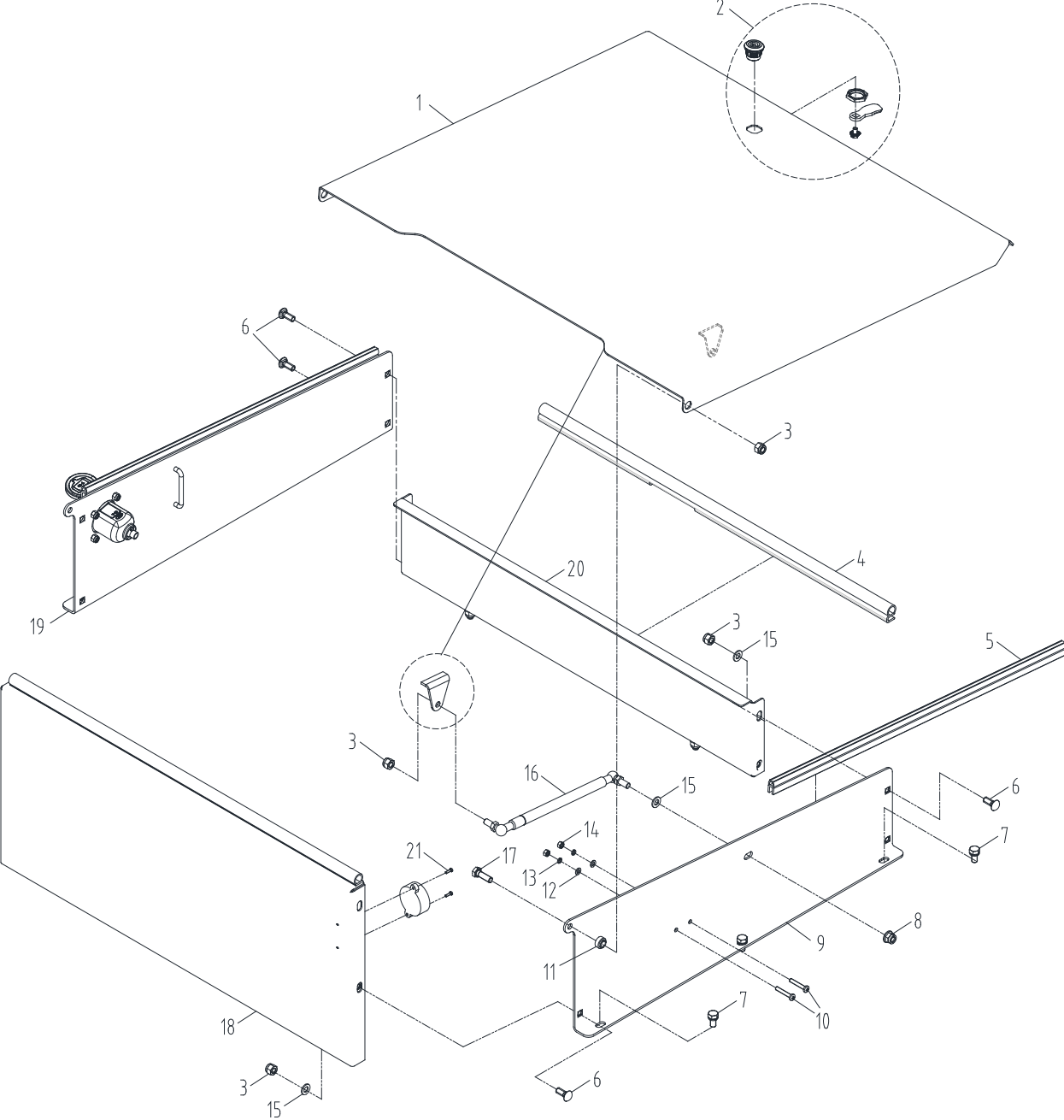


FRAME



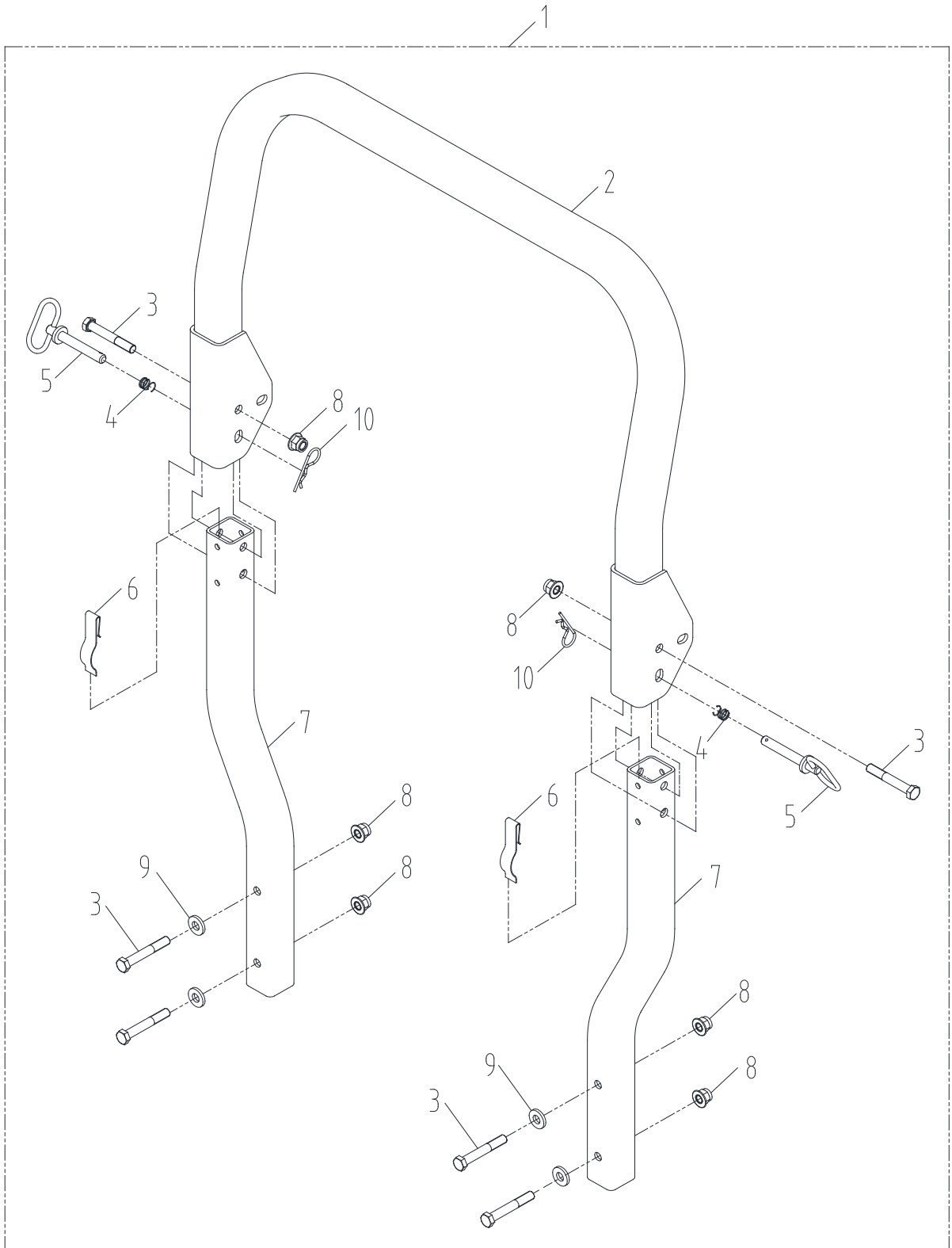
ITEM NO.	PART NO.	DESCRIPTION	QTY
21-01	R0201283-00	Frame weldment	1
21-02	R0201285-00	Floor plate	1
21-03	R0200376-00	Knob bolt	5
21-04	R0200377-00	Rubber bumper	4
21-05	R0201293-00	Right fender	1
21-06	R0201296-00	Rear baffle	1
21-07	R0201298-00	Lower back cover	1
21-08	R0200520-00	Lock nut M8	4
21-09	R0200548-00	Washer	4
21-10	R0200495-00	Bolt M10×40	2
21-11	R0201300-00	Manual release plate	2
21-12	R0200539-00	Nut M10	2
21-13	R0200527-00	Bolt M8×25	4
21-14	R0201315-00	Left fender	1
21-15	R0200534-00	Bolt assembly	6
21-16	R0200549-00	Nut M8	6
21-17	R0200684-00	Grease zerk fitting M6	2

BATTERY COVER



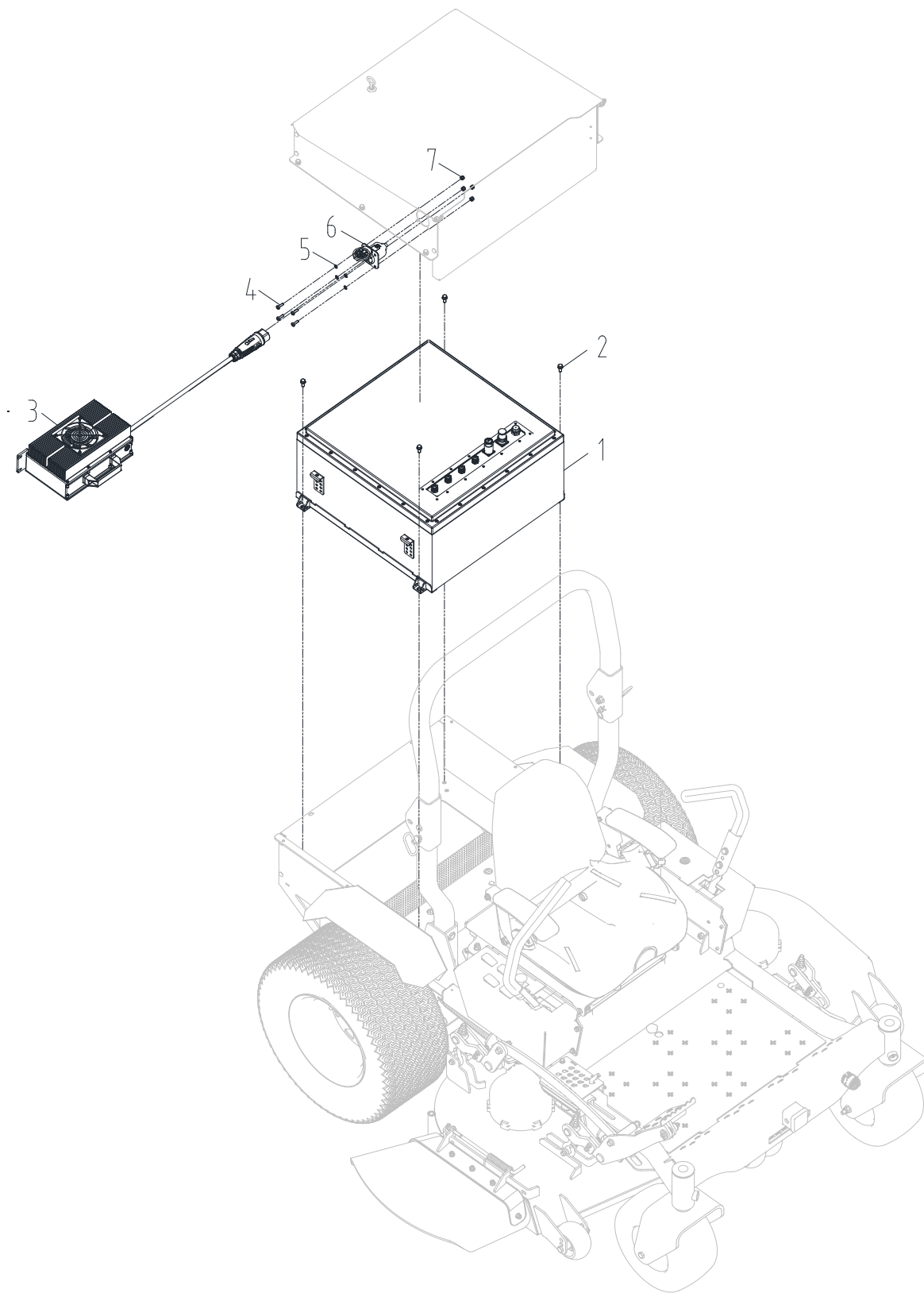
ITEM NO.	PART NO.	DESCRIPTION	QTY
22-01	R0201384-00	Upper cover plate weldment	1
22-02	R0200399-00	Rotary tongue lock	1
22-03	R0200520-00	Lock nut M8	13
22-04	R0200621-00	Rubber strip	1.4m
22-05	R0200619-00	Rubber strip	1.2m
22-06	R0200526-00	Bolt M8×20	10
22-07	R0200380-00	Bolt assembly	6
22-08	R0200496-00	Lock nut M8	1
22-09	R0201387-00	Left side plate	1
22-10	R0200530-00	Screw M5×30	2
22-11	R0201271-00	Spacer	2
22-12	R0200545-00	Washer	2
22-13	R0200538-00	Spring washer	2
22-14	R0200511-00	Nut M5	2
22-15	R0200548-00	Washer	11
22-16	R0200400-00	Gas Spring	1
22-17	R0200396-00	Bolt M8x25	2
22-18	R0201393-00	Front plate	1
22-19	R0201396-00	Right side plate	1
22-20	R0201400-00	Rear cover	1
22-21	R0201500-00	Screw M3×10	2

ROPS



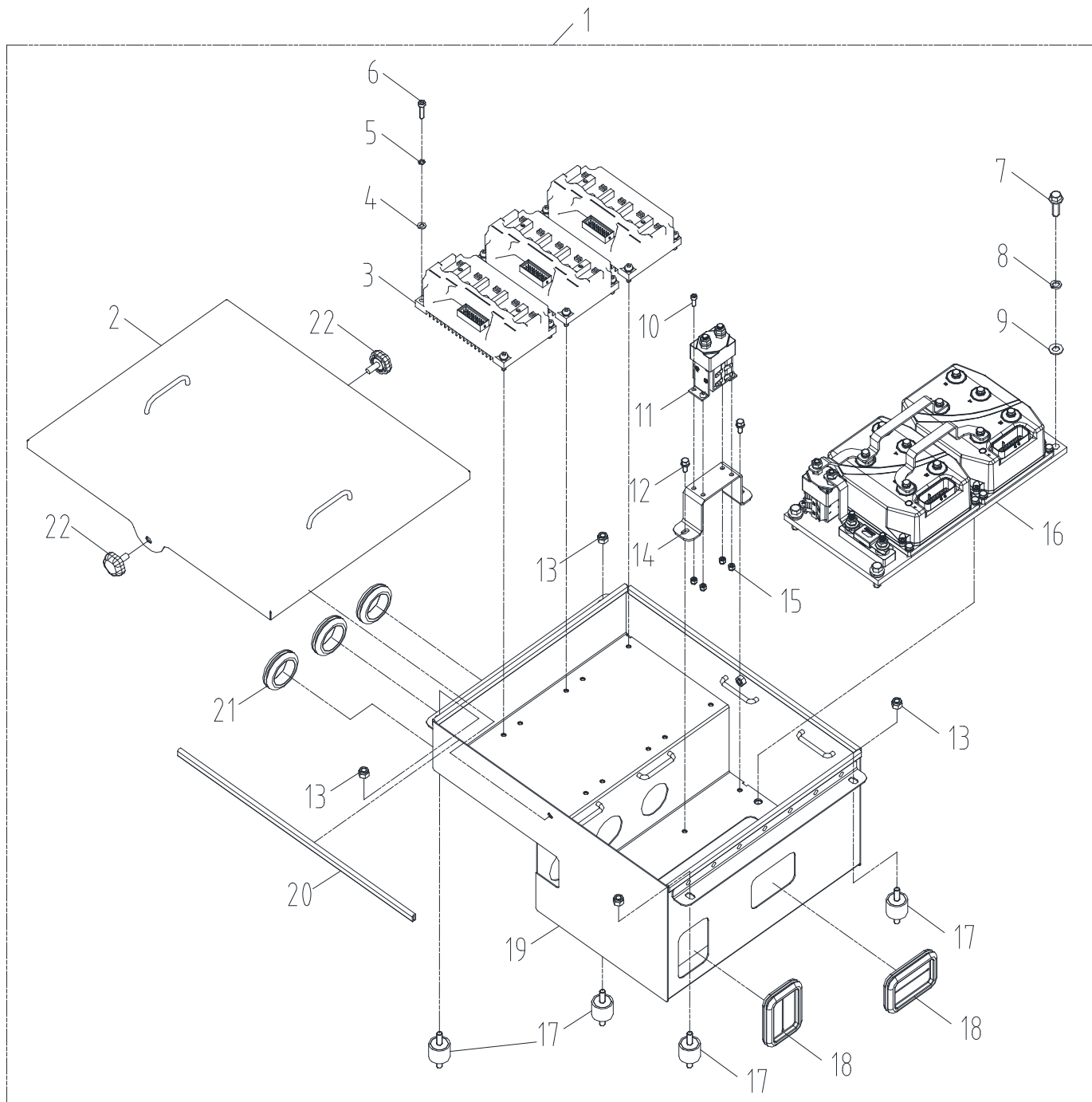
ITEM NO.	PART NO.	DESCRIPTION	QTY
29-01	R0201406-00	ROPS assembly	1
29-02	R0201294-00	Upper ROPS weldment	1
29-03	R0200401-00	Bolt M12×80	6
29-04	R0200402-00	Spring	2
29-05	R0201295-00	Quick-Release Pin	2
29-06	R0200403-00	Strip Spring	2
29-07	R0201297-00	Lower ROPS tube	2
29-08	R0200369-00	Lock nut M12	6
29-09	R0201299-00	Washer	4
29-10	R0200469-00	Pin clevis	2

BATTERY AND CHARGER



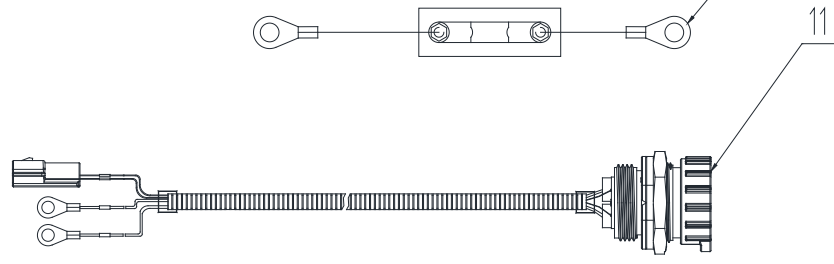
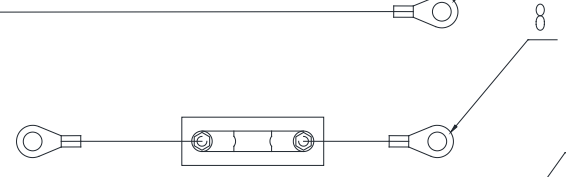
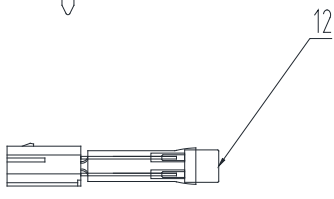
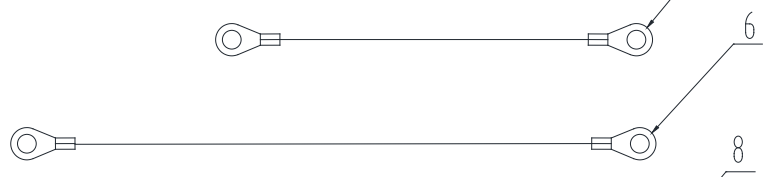
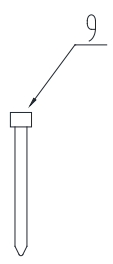
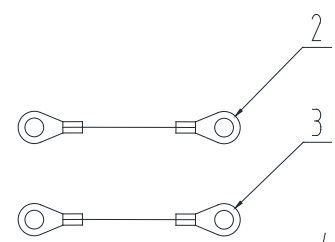
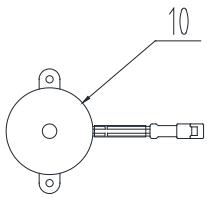
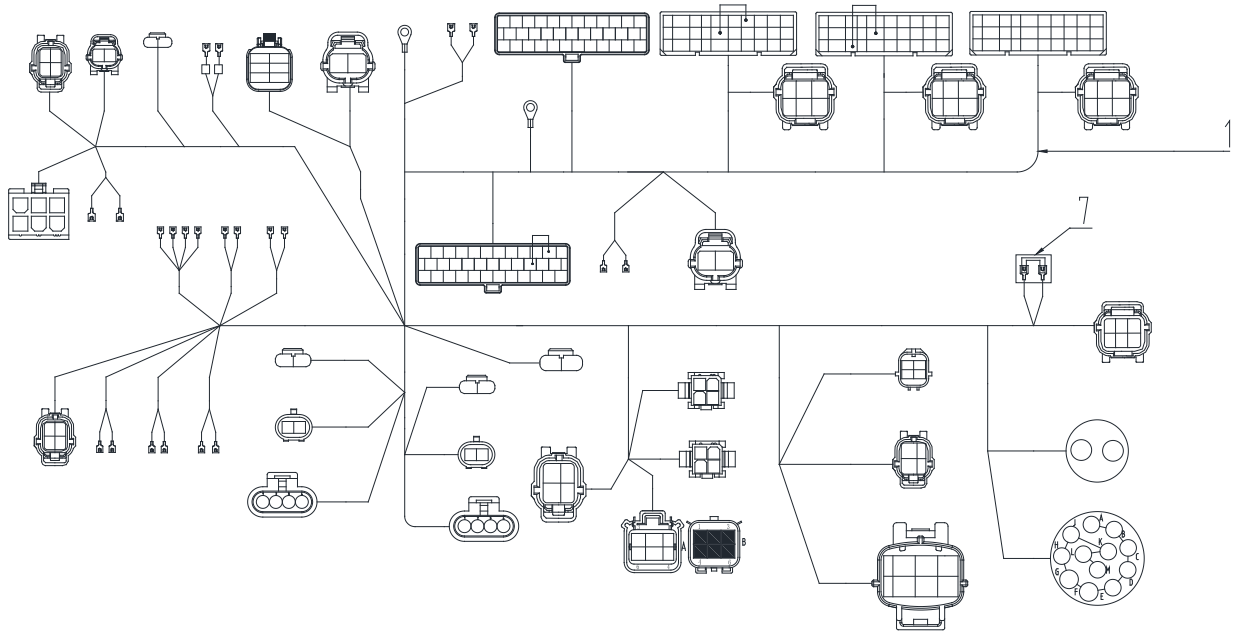
ITEM NO.	PART NO.	DESCRIPTION	QTY
31-01	R0200665-00	Lithium battery 13.8kWh	1
31-02	R0200534-00	Bolt assembly	4
31-03	R0201791-00	Charger 120V/15A, 1500 Watt	1
31-04	R0200546-00	Screw M6x20	4
31-05	R0200547-00	Washer	4
31-06	R0200729-00	Charger plug	1
31-07	R0200518-00	Lock nut M6	4

CONTROLLERS AND BOX



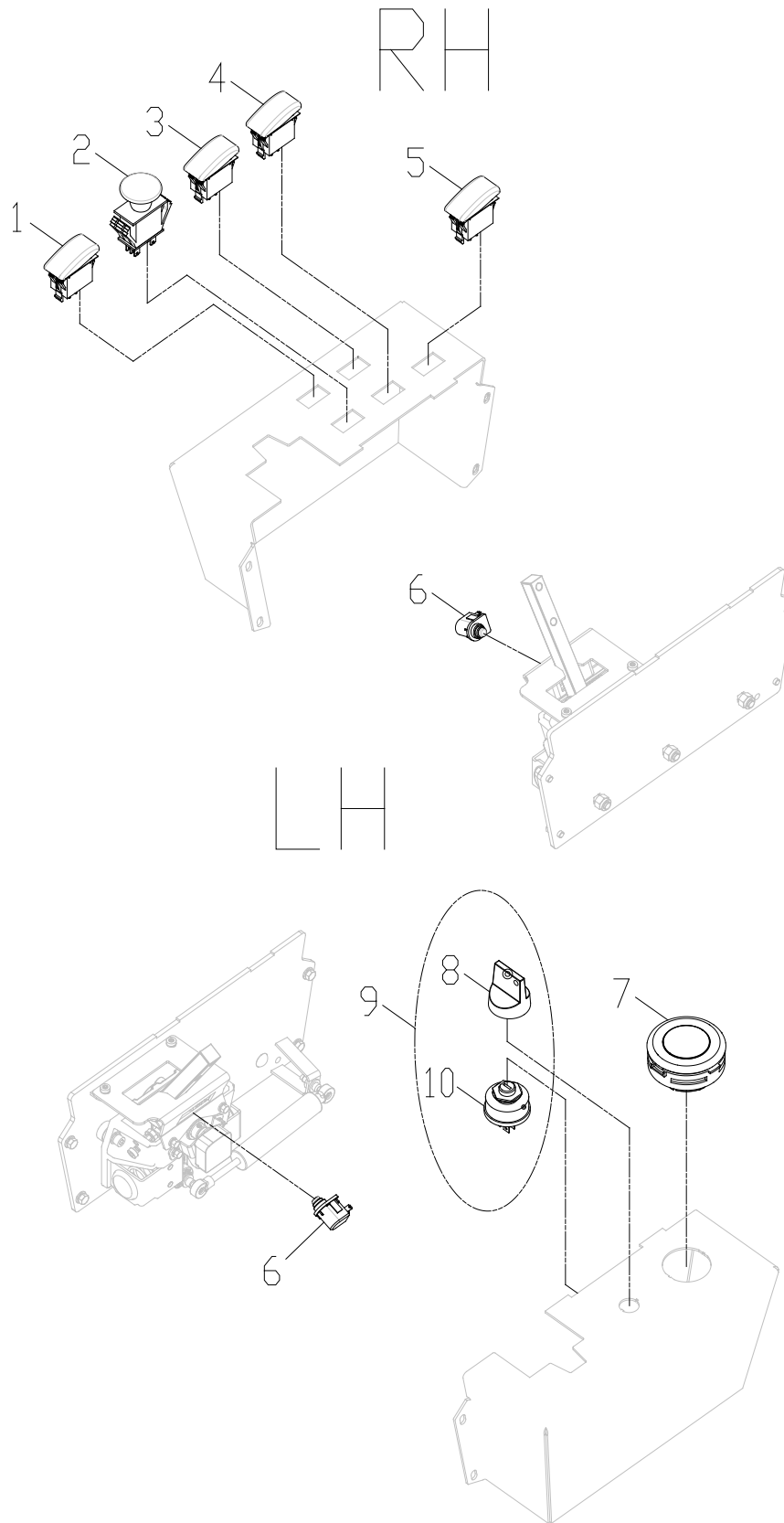
ITEM NO.	PART NO.	DESCRIPTION	QTY
32-01	R0201291-00	Controller box assembly	1
32-02	R0201401-00	Controller box cover weldment	1
32-03	R0202867-00	Blade controller assembly	3
32-04	R0200547-00	Washer	12
32-05	R0201410-00	Spring washer	12
32-06	R0201415-00	Bolt M6×25	12
32-07	R0200550-00	Bolt M10×30	4
32-08	R0200499-00	Spring washer	4
32-09	R0200502-00	Washer	4
32-10	R0201287-00	Screws M5×14	4
32-11	R0201288-00	Contactor	1
32-12	R0200532-00	Bolt assembly	2
32-13	R0200520-00	Lock nut M8	4
32-14	R0201408-00	Mounting plate	1
32-15	R0200517-00	Lock nut M5	4
32-16	R0202861-00 (For 7405302)	Drive controller assembly	1
	R0202862-00 (For 7405202)		1
32-17	R0201412-00	Cushion stud	4
32-18	R0201292-00	Grommet	2
32-19	R0201414-00	Controller box	1
32-20	R0200620-00	Trim	1.8 m
32-21	R0200429-00	Grommet	3
32-22	R0200376-00	Knob bolt	2

WIRE HARNESS



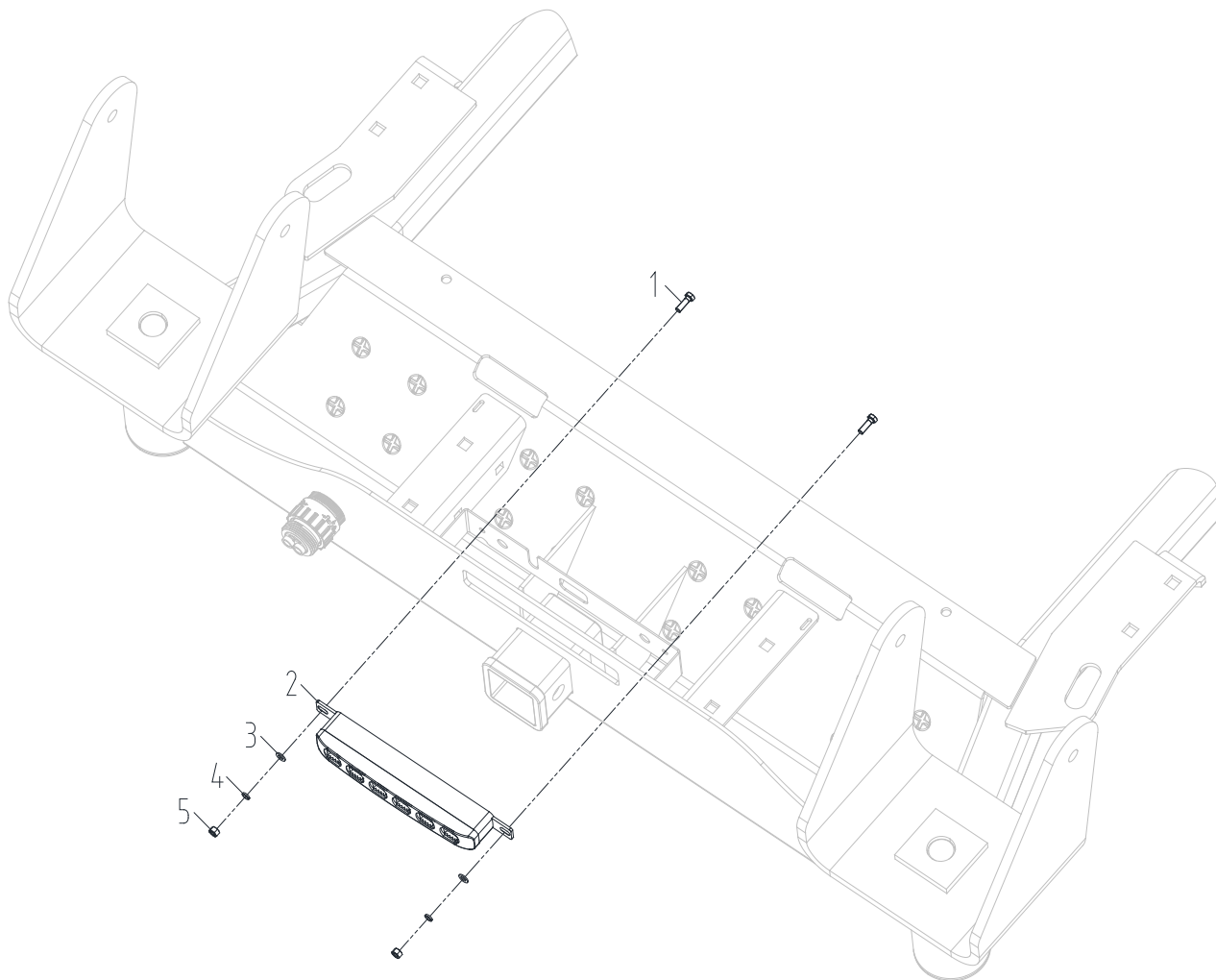
ITEM NO.	PART NO.	DESCRIPTION	QTY
33-01	R0201421-00	Wiring harness assembly	1
33-02	R0201425-00	Blade controller cable positive	2
33-03	R0201427-00	Blade controller cable negative	2
33-04	R0200733-00	Machine power harness	1
33-05	R0201428-00	Drive controller cable positive	1
33-06	R0201429-00	Drive controller cable negative	1
33-07	R0200847-00	Fuse, 20A (regular)	1
33-08	R0201434-00	Accessory power cord	1
33-09	R0200390-00	Zip tie	50
33-10	R0201437-00	Buzzer	1
33-11	R0201431-00	Accessory socket	1
33-12	R0201433-00	Relay	1

SWITCHES



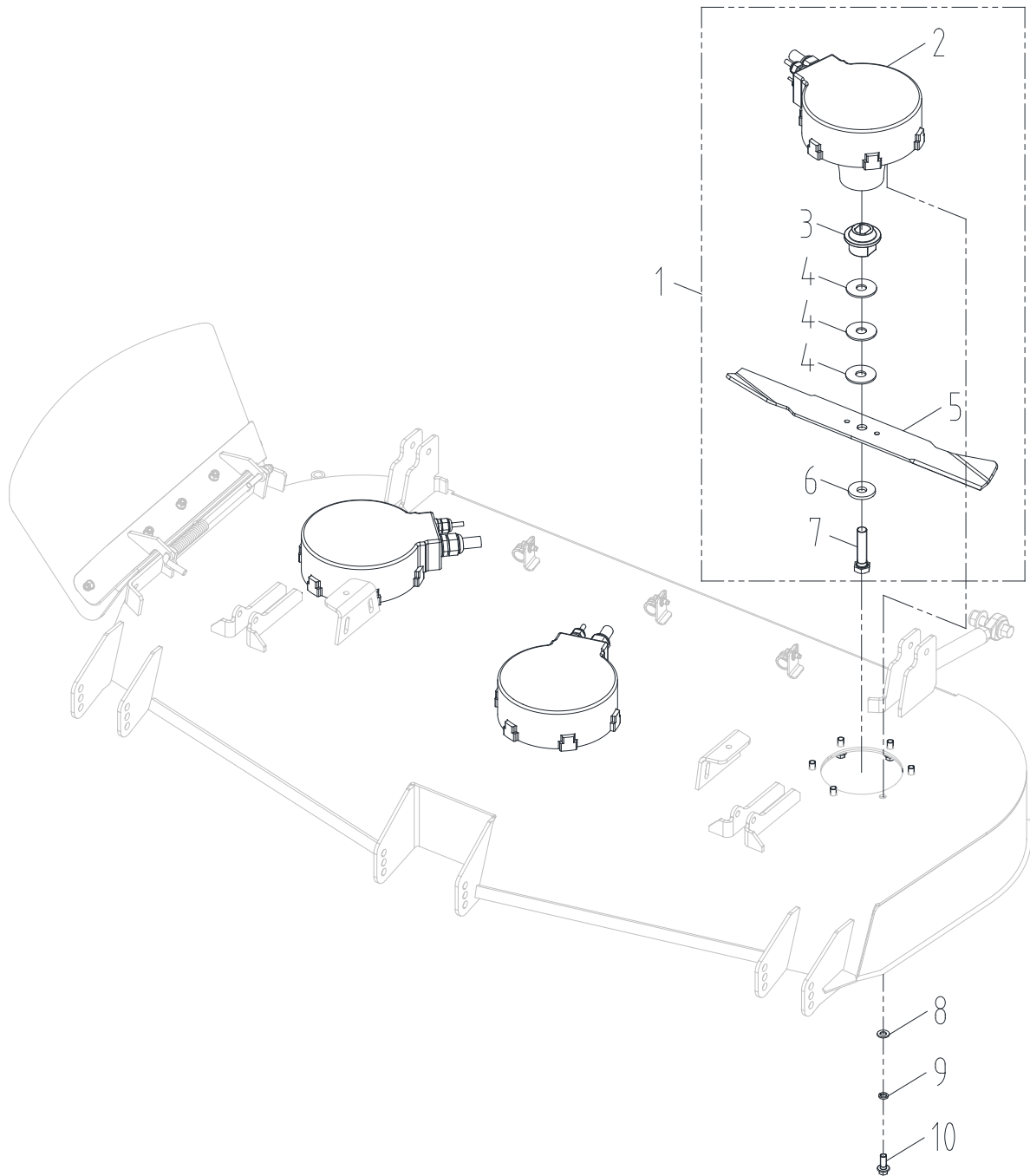
ITEM NO.	PART NO.	DESCRIPTION	QTY
35-01	R0200721-00	Blade speed switch	1
35-02	R0200717-00	PTO switch	1
35-03	R0201336-00	LED light switch	1
35-04	R0200719-00	Drive speed switch	1
35-05	R0201337-00	Attachment ON/OFF switch	1
35-06	R0200366-00	Parking switch	2
35-07	R0201217-00	1.5" Display	1
35-08	R0202103-00	Ignition switch with key	1
35-09	R0202104-00	Key	1
35-10	R0202102-00	Ignition switch	1

LIGHTS



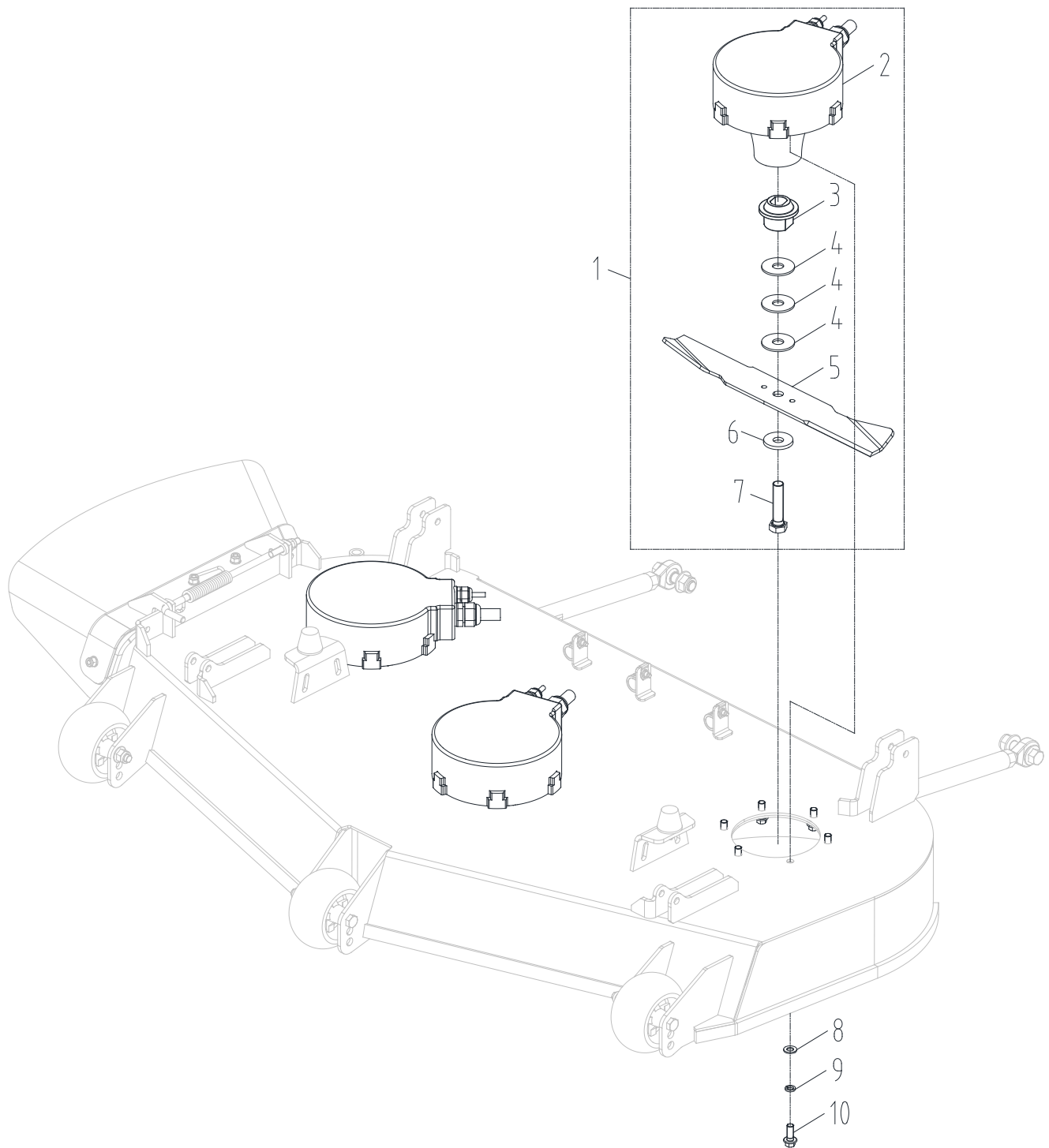
ITEM NO.	PART NO.	DESCRIPTION	QTY
39-01	R0200551-00	Bolt M5×16	2
39-02	R0200668-00	Light LED	1
39-03	R0200545-00	Washer	2
39-04	R0200538-00	Spring washer	2
39-05	R0200511-00	Nut M5	2

DECK, MOTORS AND BLADES (7405302)



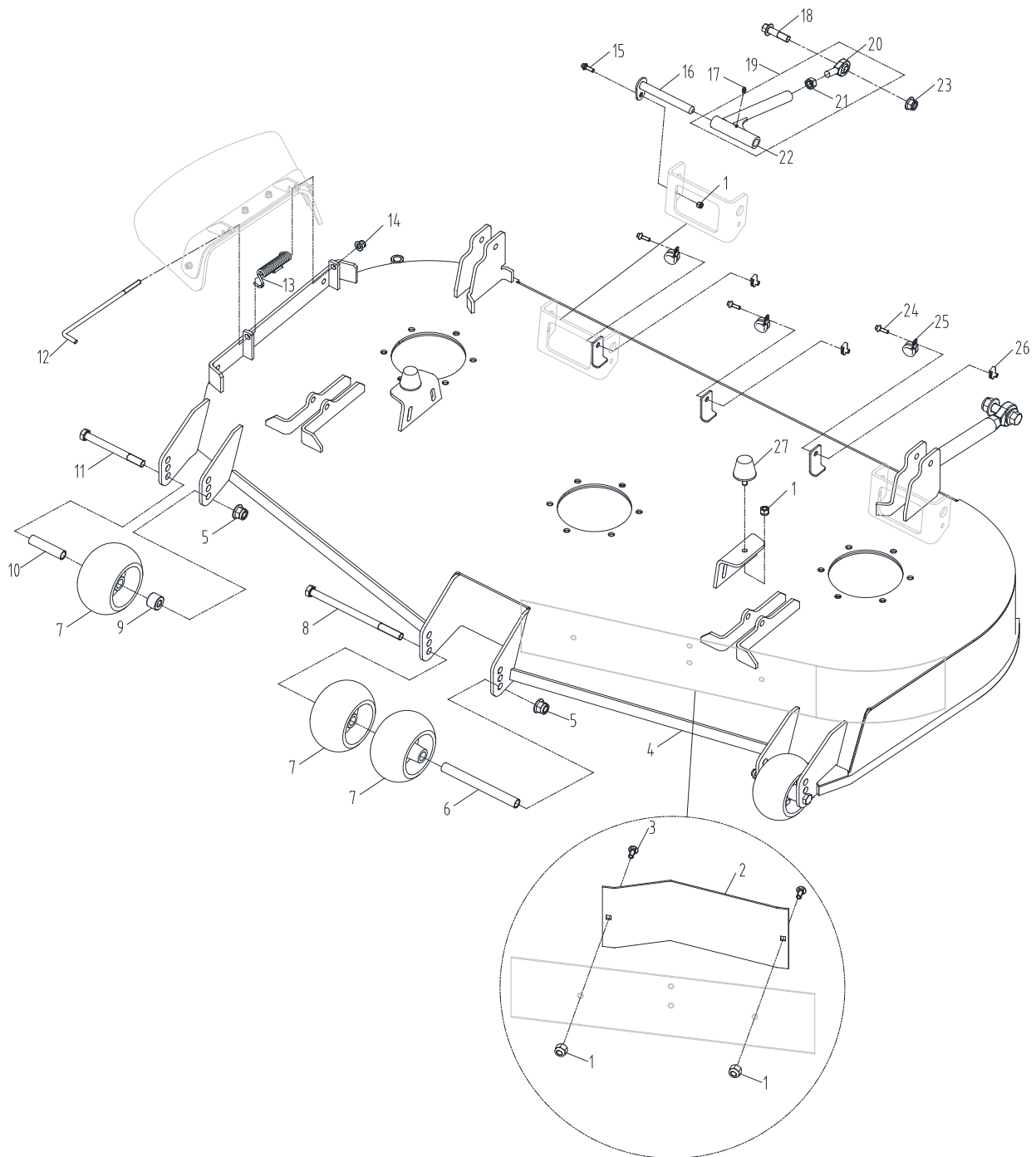
ITEM NO.	PART NO.	DESCRIPTION	QTY
41-01	R0201280-00	Blade motor assembly	3
41-02	R0201278-00	Blade motor	1
41-03	R0200693-00	Blade collar	1
41-04	R0200339-00	Washer	3
41-05	R0200703-00	20.5" Blade	1
41-06	R0200365-00	Blade washer	1
41-07	R0200364-00	Bolt M16×70	1
41-08	R0200502-00	Washer	18
41-09	R0200499-00	Spring washer	18
41-10	R0200501-00	Bolt M10×25	18

DECK, MOTORS AND BLADES (7405202)



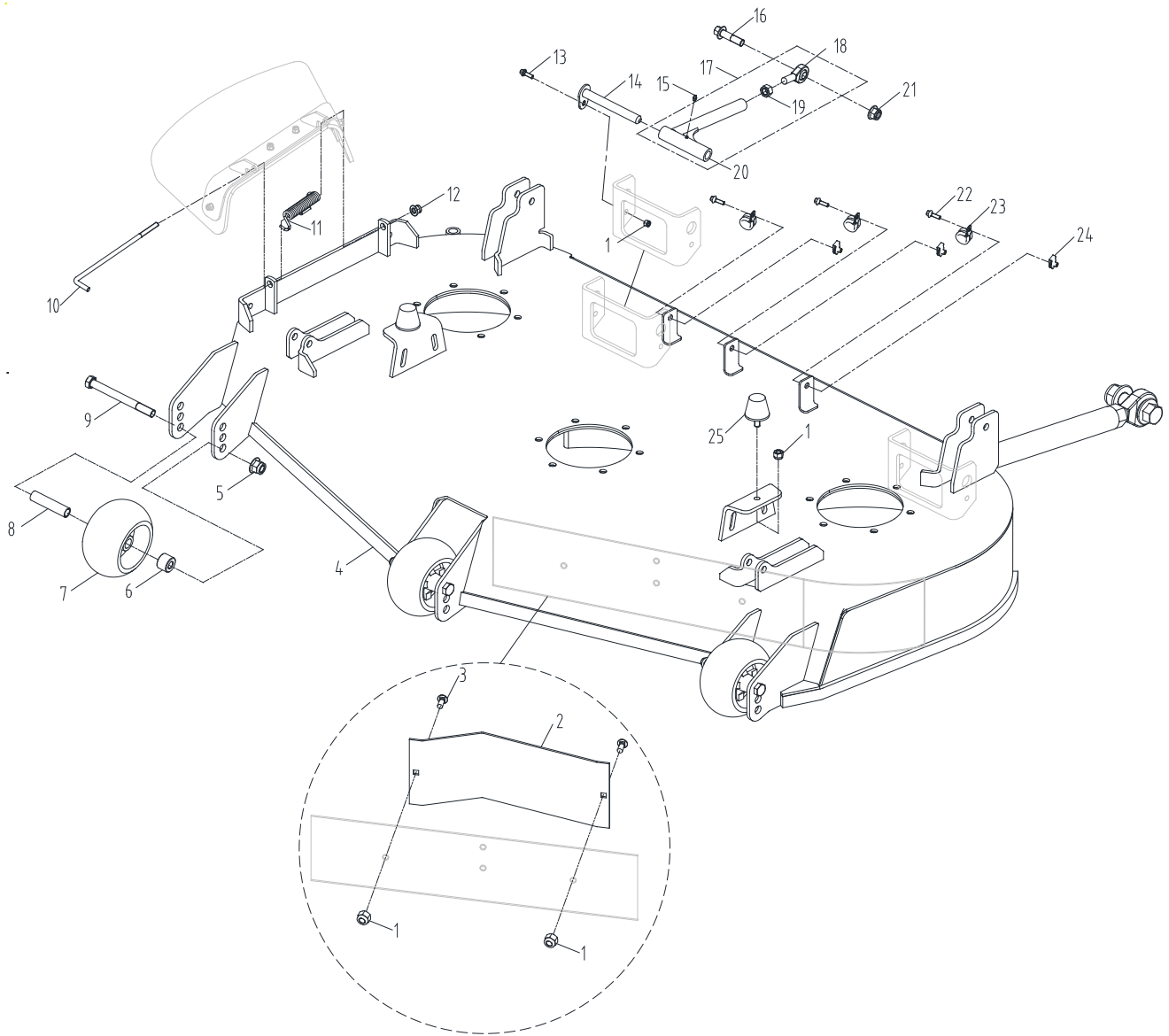
ITEM NO.	PART NO.	DESCRIPTION	QTY
41-01	R0201704-00	Blade motor assembly	3
41-02	R0201278-00	Blade motor	1
41-03	R0200693-00	Blade collar	1
41-04	R0200339-00	Washer	3
41-05	R0200350-00	18" Blade	1
41-06	R0200365-00	Blade washer	1
41-07	R0200364-00	Bolt M16×70	1
41-08	R0200502-00	Washer	18
41-09	R0200499-00	Spring washer	18
41-10	R0200501-00	Bolt M10×25	18

DECK COMPONENTS (7405302)



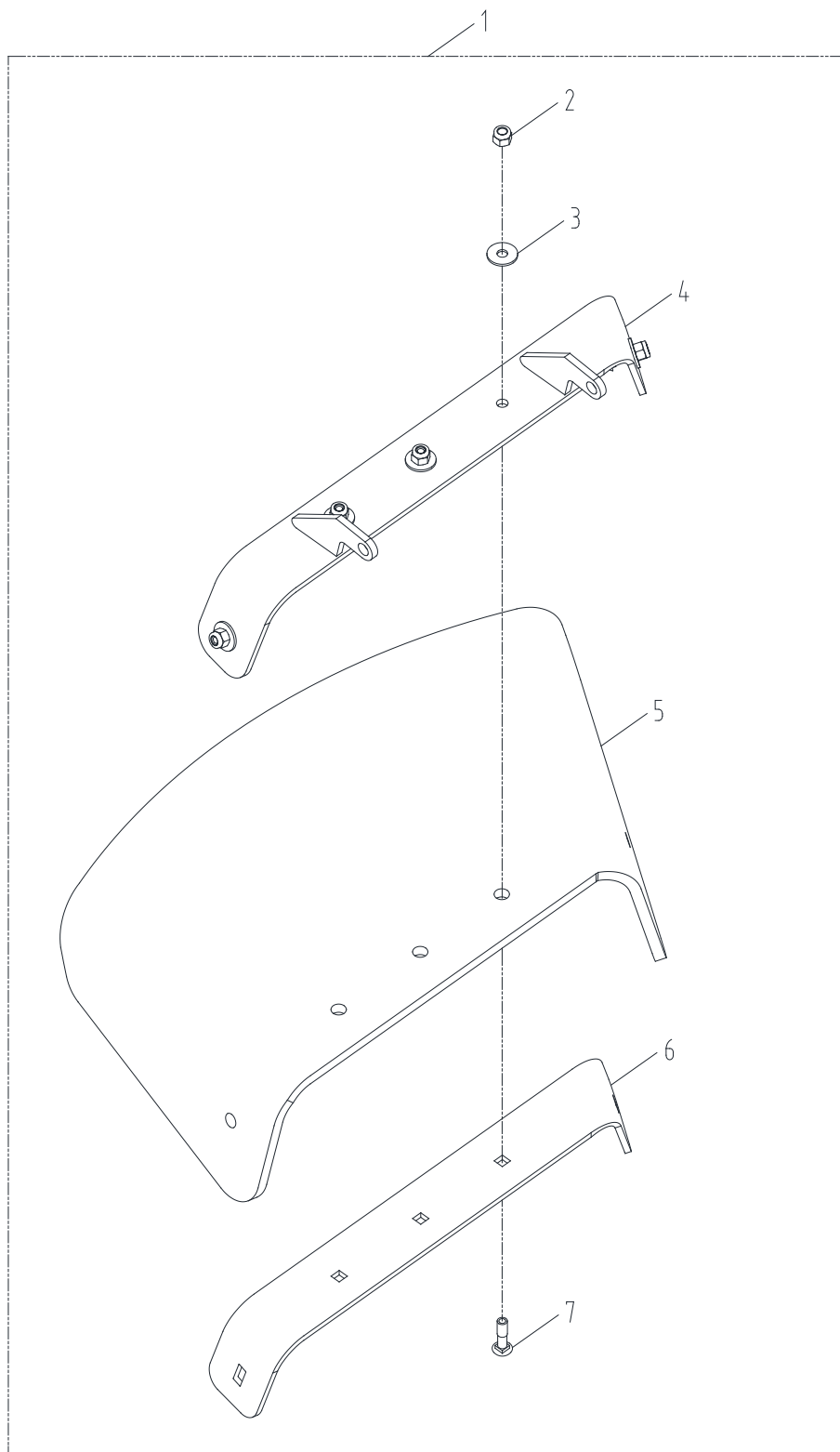
ITEM NO.	PART NO.	DESCRIPTION	QTY
42-01	R0200520-00	Lock nut M8	6
42-02	R0201307-00	Air plate 1	1
42-03	R0200526-00	Bolt M8×20	2
42-04	R0201301-00	Deck Housing 60 inch	1
42-05	R0200369-00	Lock nut M12	3
42-06	R0201302-00	Roller shaft	1
42-07	R0200363-00	Roller wheel	4
42-08	R0200360-00	Bolt M12x190	1
42-09	R0201303-00	Roller spacer	2
42-10	R0201304-00	Roller shaft	2
42-11	R0200359-00	Bolt M12×120	2
42-12	R0201308-00	Pivot pin	1
42-13	R0201383-00	Torsional spring	1
42-14	R0200521-00	Lock nut M10	1
42-15	R0200398-00	Bolt M8×25	2
42-16	R0201311-00	Connection pin weldment	2
42-17	R0200684-00	Grease zerk fitting M6	1
42-18	R0200408-00	Bolt M16×60	2
42-19	R0201312-00	Deck mounting rod assy	2
42-20	R0200407-00	Rod end M16	1
42-21	R0200406-00	Nut M16	1
42-22	R0201313-00	Deck mounting rod	1
42-23	R0200409-00	Lock nut M16	2
42-24	R0200507-00	Bolt M16×20	3
42-25	R0200412-00	Hose clamp	3
42-26	R0201314-00	Nut, clip-on M6	3
42-27	R0200710-00	Rubber bumper	2

DECK COMPONENTS (7405202)



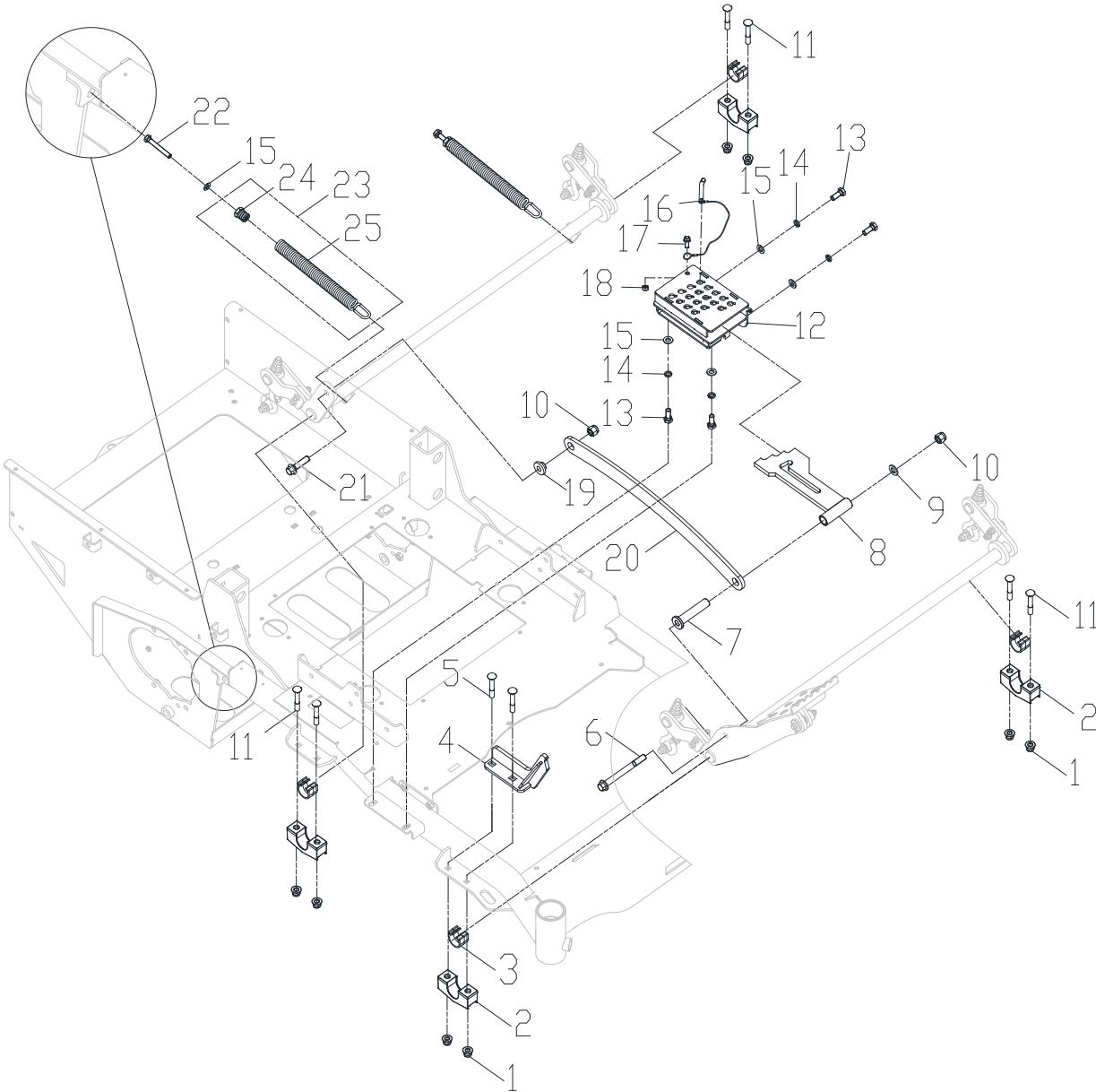
ITEM NO.	PART NO.	DESCRIPTION	QTY
42-01	R0200496-00	Lock nut M8	6
42-02	R0201276-00	Air plate 1	1
42-03	R0200526-00	Bolt M8×20	2
42-04	R0201267-00	Deck Housing 52 inch	1
42-05	R0200369-00	Lock nut M12	3
42-06	R0201303-00	Roller spacer	3
42-07	R0200363-00	Roller wheel	3
42-08	R0201304-00	Roller shaft	3
42-09	R0200359-00	Bolt M12×120	3
42-10	R0201308-00	Connecting rod	1
42-11	R0201383-00	Torsional spring	1
42-12	R0200521-00	Lock nut M10	1
42-13	R0200398-00	Bolt M8×25	2
42-14	R0201311-00	Connection pin weldment	2
42-15	R0200684-00	Grease zerk fitting M6	1
42-16	R0200408-00	Bolt M16×60	2
42-17	R0201312-00	Deck mounting rod assy	2
42-18	R0200407-00	Rod end M16	1
42-19	R0200406-00	Nut M16	1
42-20	R0201313-00	Deck mounting rod assy	1
42-21	R0200409-00	Nut M16	2
42-22	R0200507-00	Bolt M6×20	3
42-23	R0200412-00	Hose clamp	3
42-24	R0201314-00	Nut M6	3
42-25	R0200710-00	Rubber bumper	2

DISCHARGE CHUTE



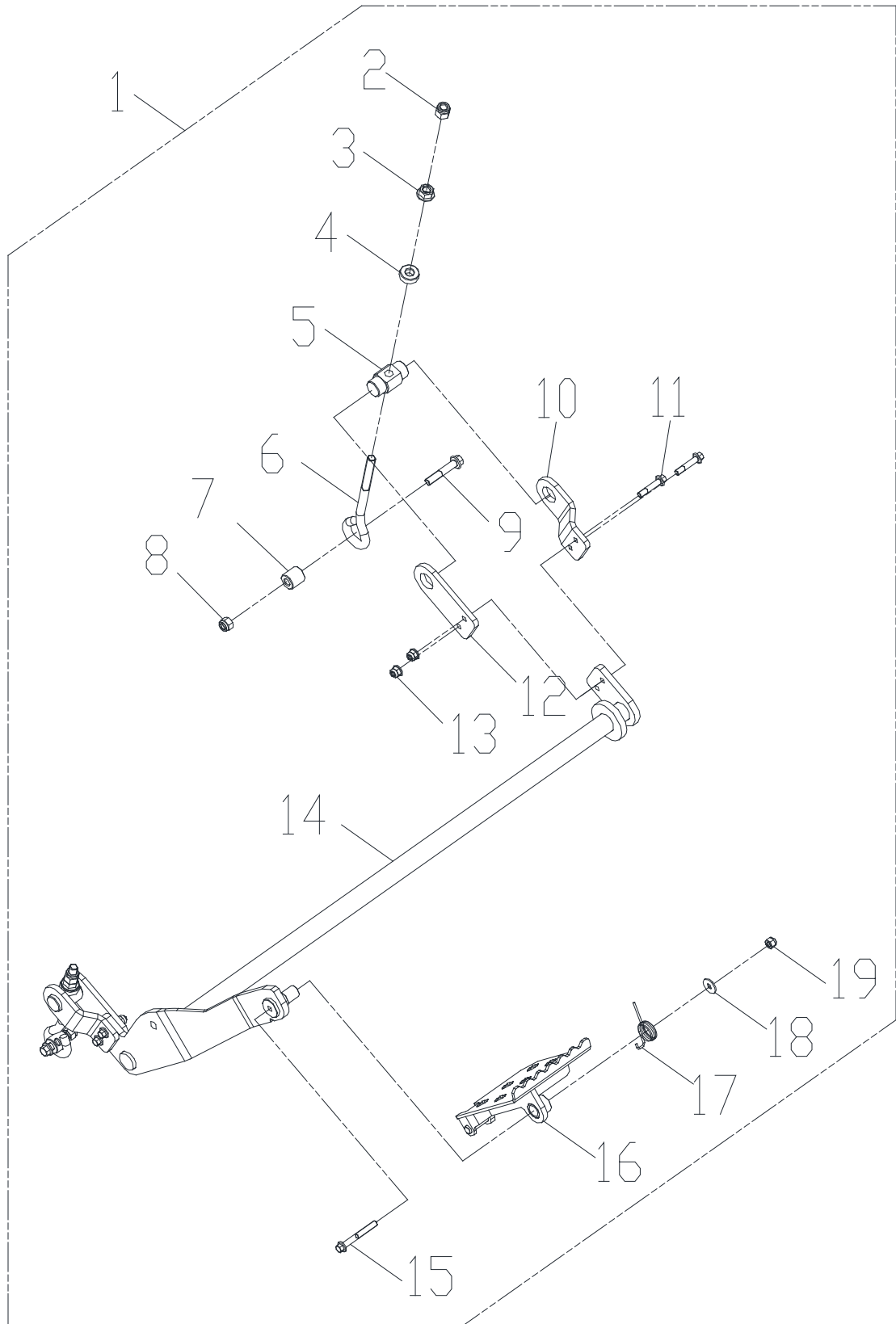
ITEM NO.	PART NO.	DESCRIPTION	QTY
43-01	R0201305-00 (For 7405302)	Deflector assembly	1
	R0201272-00 (For 7405202)		1
43-02	R0200520-00	Nut M8	5
43-03	R0200541-00	Washer	5
43-04	R0201310-00	Upper bracket weldment	1
43-05	R0200617-00 (For 7405302)	Discharge chute	1
	R0200618-00 (For 7405202)		1
43-06	R0201309-00	Lower bracket	1
43-07	R0200528-00	Bolt M8×30	5

DECKLIFT



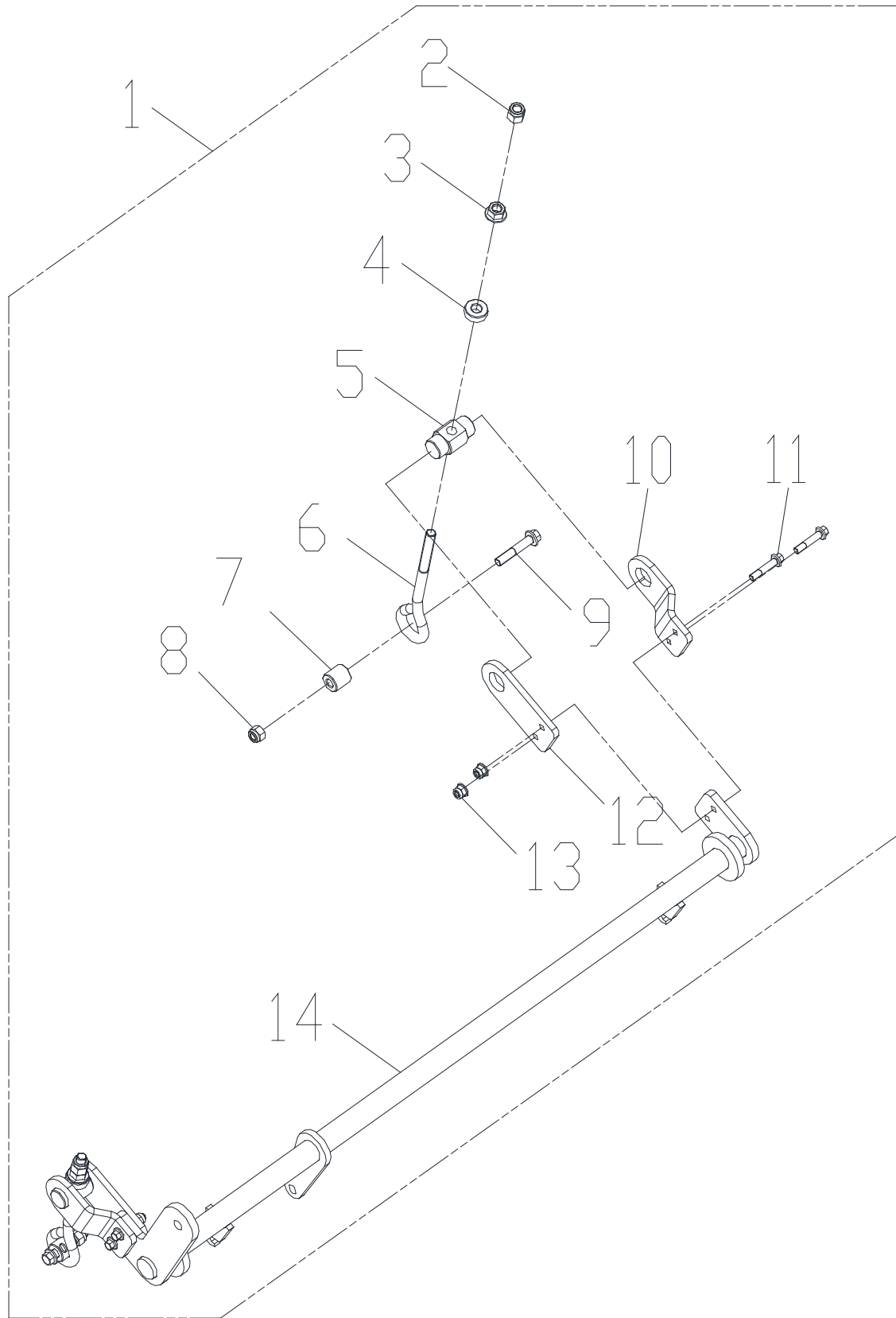
ITEM NO.	PART NO.	DESCRIPTION	QTY
45-01	R0200521-00	Lock nut M10	8
45-02	R0200586-00	Shaft Mount	4
45-03	R0200737-00	Collar	4
45-04	R0201371-00	Mounting plate	1
45-05	R0201370-00	Bolt M10×60	2
45-06	R0201265-00	Bolt M12×120	1
45-07	R0201369-00	Sleeve	1
45-08	R0201365-00	Connecting seat weldment	1
45-09	R0200543-00	Washer	1
45-10	R0200515-00	Lock nut M12	2
45-11	R0200525-00	Bolt M10×50	6
45-12	R0201361-00	Height adjustment weldment	1
45-13	R0200509-00	Bolt M10×50	4
45-14	R0200499-00	Spring washer	4
45-15	R0200502-00	Washer	6
45-16	R0200487-00	Pin and leash	1
45-17	R0200534-00	Bolt assembly M8 × 20	1
45-18	R0200519-00	Nut M8	1
45-19	R0201359-00	Spacer	1
45-20	R0201360-00	Connection plate	1
45-21	R0200516-00	Bolt M12×45	1
45-22	R0200504-00	Bolt M10×70	2
45-23	R0201697-00	Spring	2
45-24	R0201335-00	Custom bolt	1
45-25	R0200598-00	Spring	1

DECKLIFT FRONT ROTATING SHAFT ASSEMBLY



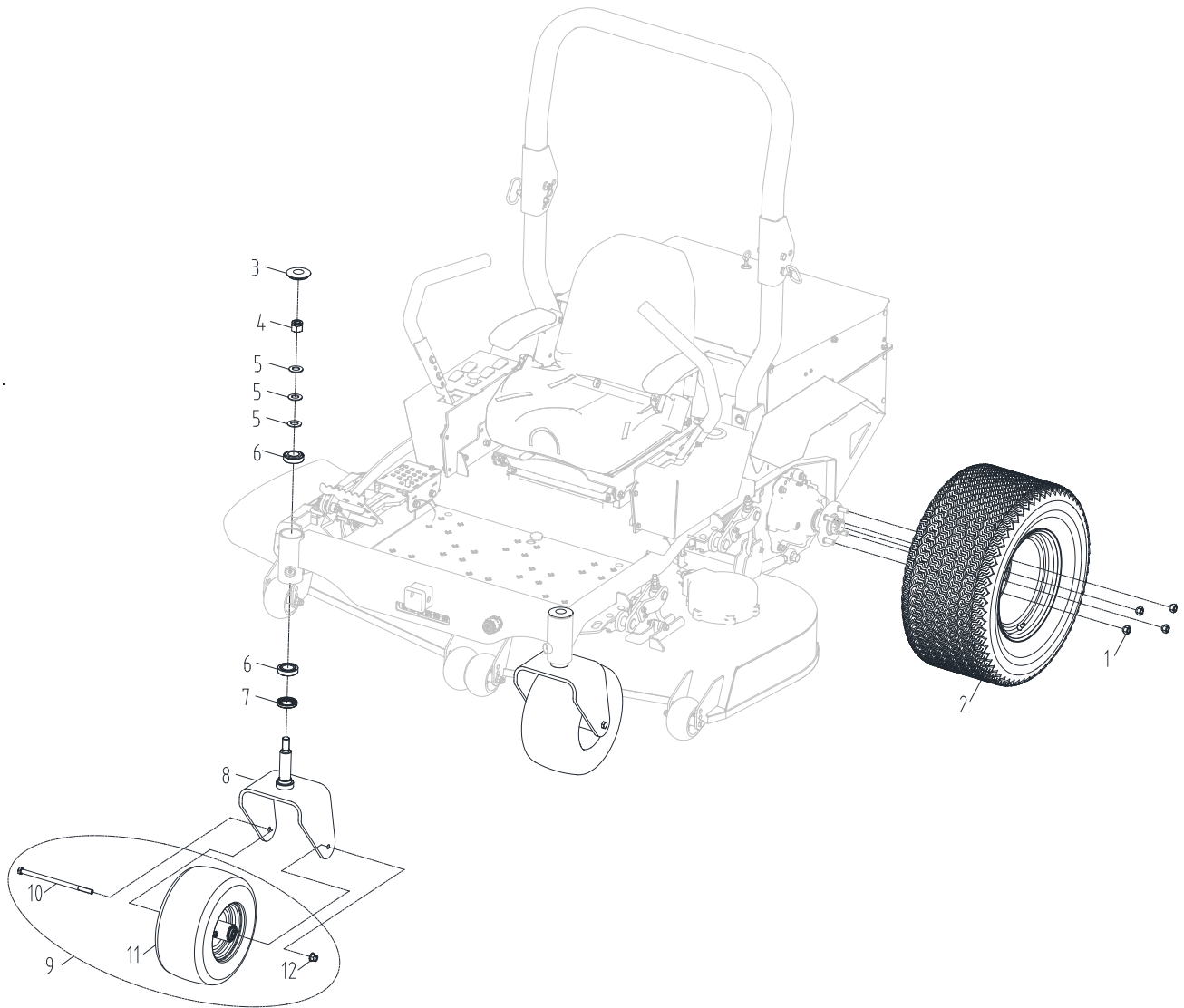
ITEM NO.	PART NO.	DESCRIPTION	QTY
46-01	R0201444-00	Front shaft assembly	1
46-02	R0200515-00	Lock nut M12	2
46-03	R0200559-00	Nut M12	2
46-04	R0201351-00	Washer	2
46-05	R0201349-00	Trunion	2
46-06	R0201348-00	Pull rod	2
46-07	R0201346-00	Spacer	2
46-08	R0200514-00	Lock nut M10	2
46-09	R0200503-00	Bolt M10×55	2
46-10	R0201354-00	Mounting plate	2
46-11	R0200560-00	Bolt M8×40	4
46-12	R0201355-00	Mounting plate	2
46-13	R0200496-00	Lock nut M8	4
46-14	R0201367-00	Front shaft weldment	1
46-15	R0200510-00	Bolt M8×65	1
46-16	R0201372-00	Pedal	1
46-17	R0201374-00	Spring	1
46-18	R0200541-00	Washer	1
46-19	R0200520-00	Lock nut M8	1

DECKLIFT REAR ROTATING SHAFT ASSEMBLY



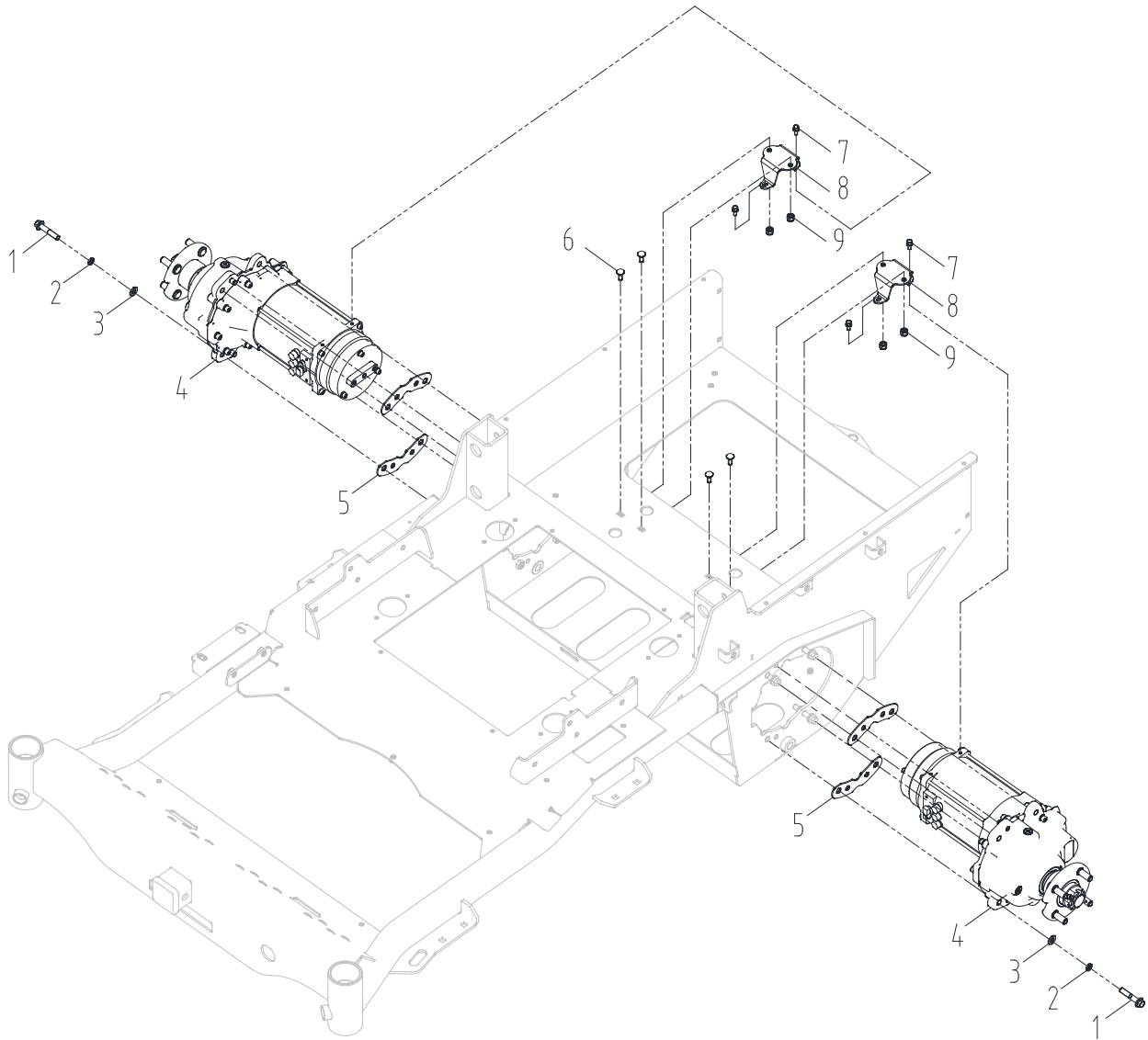
ITEM NO.	PART NO.	DESCRIPTION	QTY
47-01	R0201443-00	Rear shaft assembly	1
47-02	R0200515-00	Lock nut M12	2
47-03	R0200559-00	Nut M12	2
47-04	R0201351-00	Washer	2
47-05	R0201349-00	Trunion	2
47-06	R0201348-00	Pull rod	2
47-07	R0201346-00	Spacer	2
47-08	R0200514-00	Lock nut M10	2
47-09	R0200503-00	Bolt M10×55	2
47-10	R0201354-00	Mounting plate	2
47-11	R0200560-00	Screw M8×40	4
47-12	R0201355-00	Mounting plate	2
47-13	R0200496-00	Lock nut M8	4
47-14	R0201344-00	Rear shaft weldment	1

WHEELS



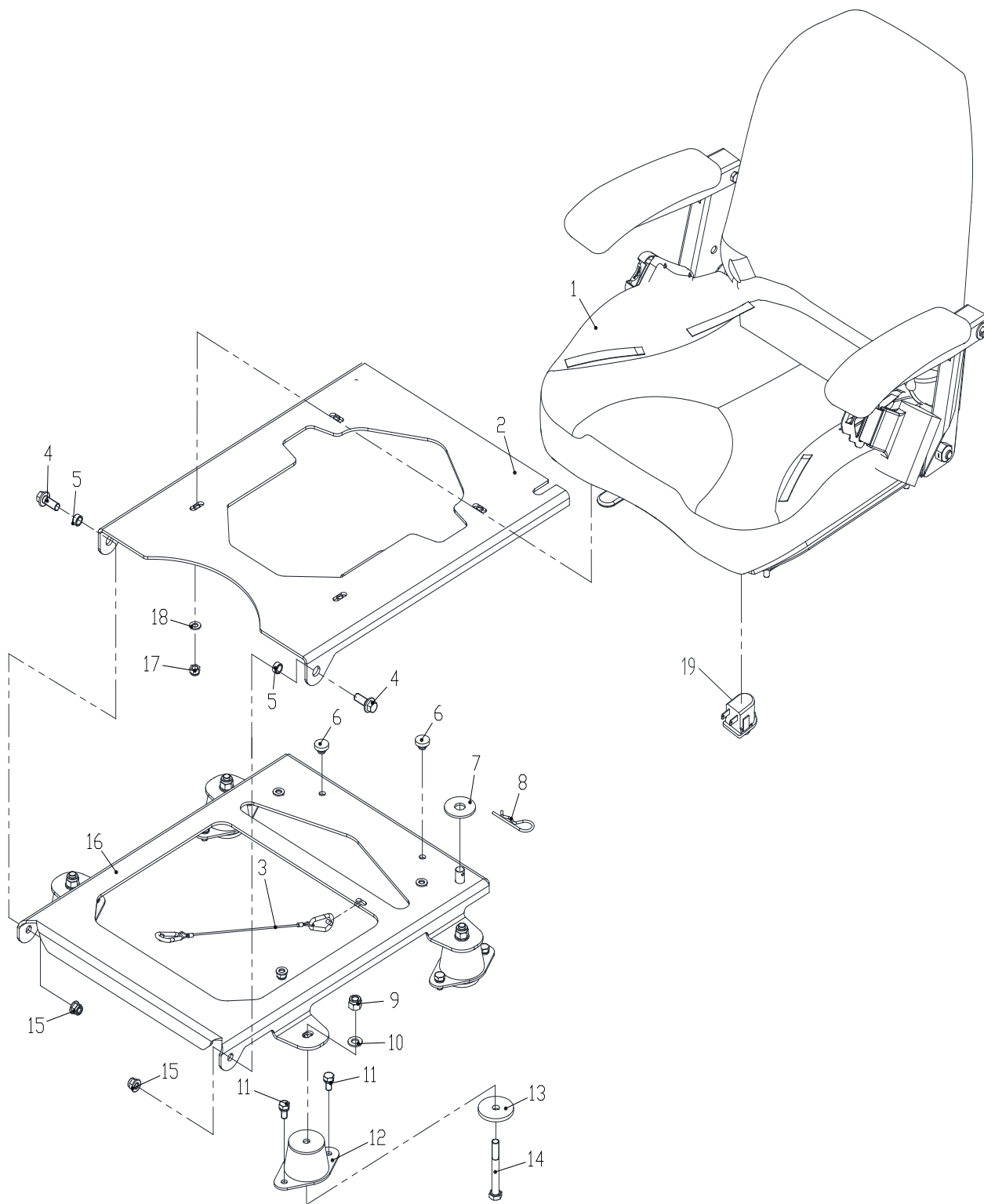
ITEM NO.	PART NO.	DESCRIPTION	QTY
51-01	R0200368-00	Lug Nut 1/2-20 UNF	8
51-02	R0200708-00 (For 7405302)	Rear wheel 24×12-12	2
	R0200352-00 (For 7405202)	Rear wheel 24×9.5-12	2
51-03	R0201329-00	Dust cap	2
51-04	R0200372-00	Lock nut M20	2
51-05	R0200373-00	Spring washer	6
51-06	R0200374-00	Bearing	4
51-07	R0200375-00	Oil seal	2
51-08	R0201320-00	Caster weldment	2
51-09	R0201268-00	Front wheel assembly	2
51-10	R0201270-00	Bolt M12×240	1
51-11	R0200370-00	Front wheel 13×6.5-6	1
51-12	R0200369-00	Lock nut M12	1

DRIVE MOTOR AND TRANSMISSION



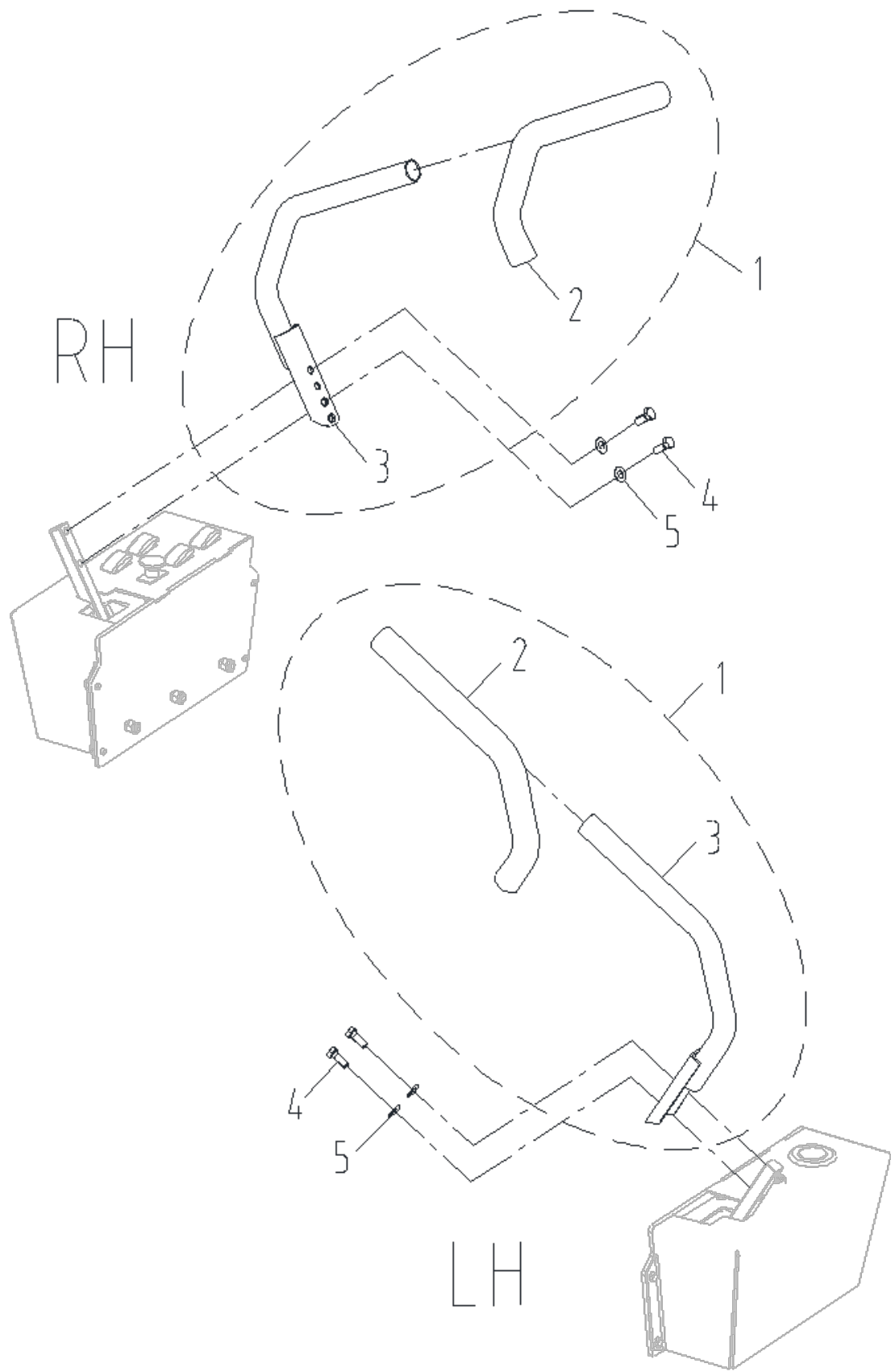
ITEM NO.	PART NO.	DESCRIPTION	QTY
55-01	R0200765-00	Bolt M10×50	8
55-02	R0200499-00	Spring washer	8
55-03	R0200502-00	Washer	8
55-04	R0200669-00	Motor Drive Assembly, 1.7 kW	2
55-05	R0201318-00	Pad	4
55-06	R0200526-00	Bolt M8×20	4
55-07	R0200532-00	Bolt assembly	4
55-08	R0201317-00	Upper bracket weldment	2
55-09	R0200520-00	Lock nut M8	4

SEAT



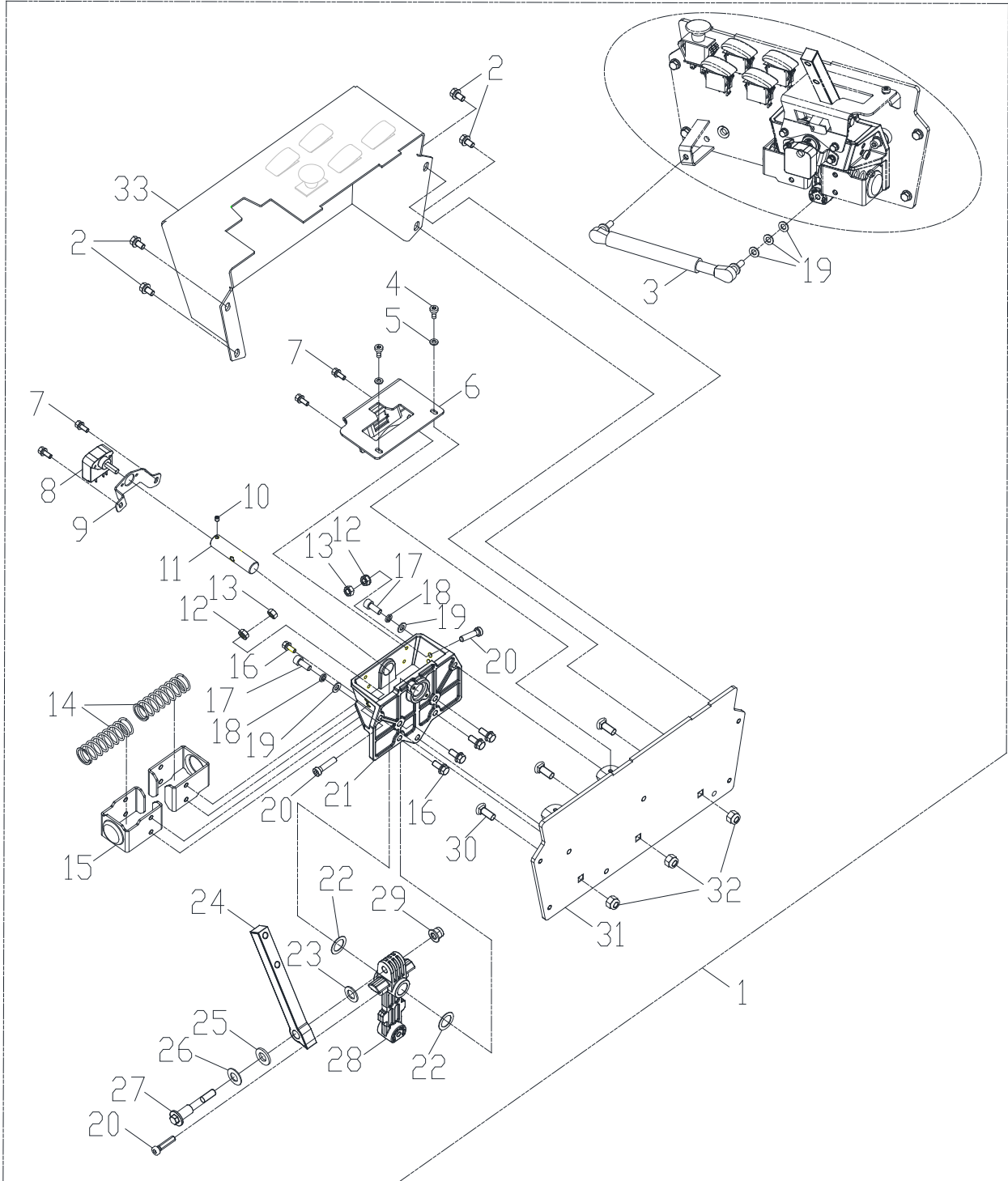
ITEM NO.	PART NO.	DESCRIPTION	QTY
61-01	R0201809-00	Seat, Milsco Suspension, 600mm	1
61-02	R0201316-00	Seat plate	1
61-03	R0200410-00	Leash	1
61-04	R0200501-00	Bolt M10×25	2
61-05	R0201321-00	Collar	2
61-06	R0200377-00	Rubber bumper	2
61-07	R0200529-00	Washer	1
61-08	R0200469-00	R pin	1
61-09	R0200514-00	Lock nut M10	4
61-10	R0200502-00	Washer	4
61-11	R0200380-00	Bolt assembly	8
61-12	R0200709-00	Rubber isolator	4
61-13	R0201322-00	Large washer	4
61-14	R0200512-00	Bolt M10×80	4
61-15	R0200521-00	Lock nut M10	2
61-16	R0201323-00	Seat base	1
61-17	R0200571-00	Nut 5/16-18	4
61-18	R0200548-00	Washer	4
61-19	R0200366-00	Seat switch	1

CONTROL ARMS



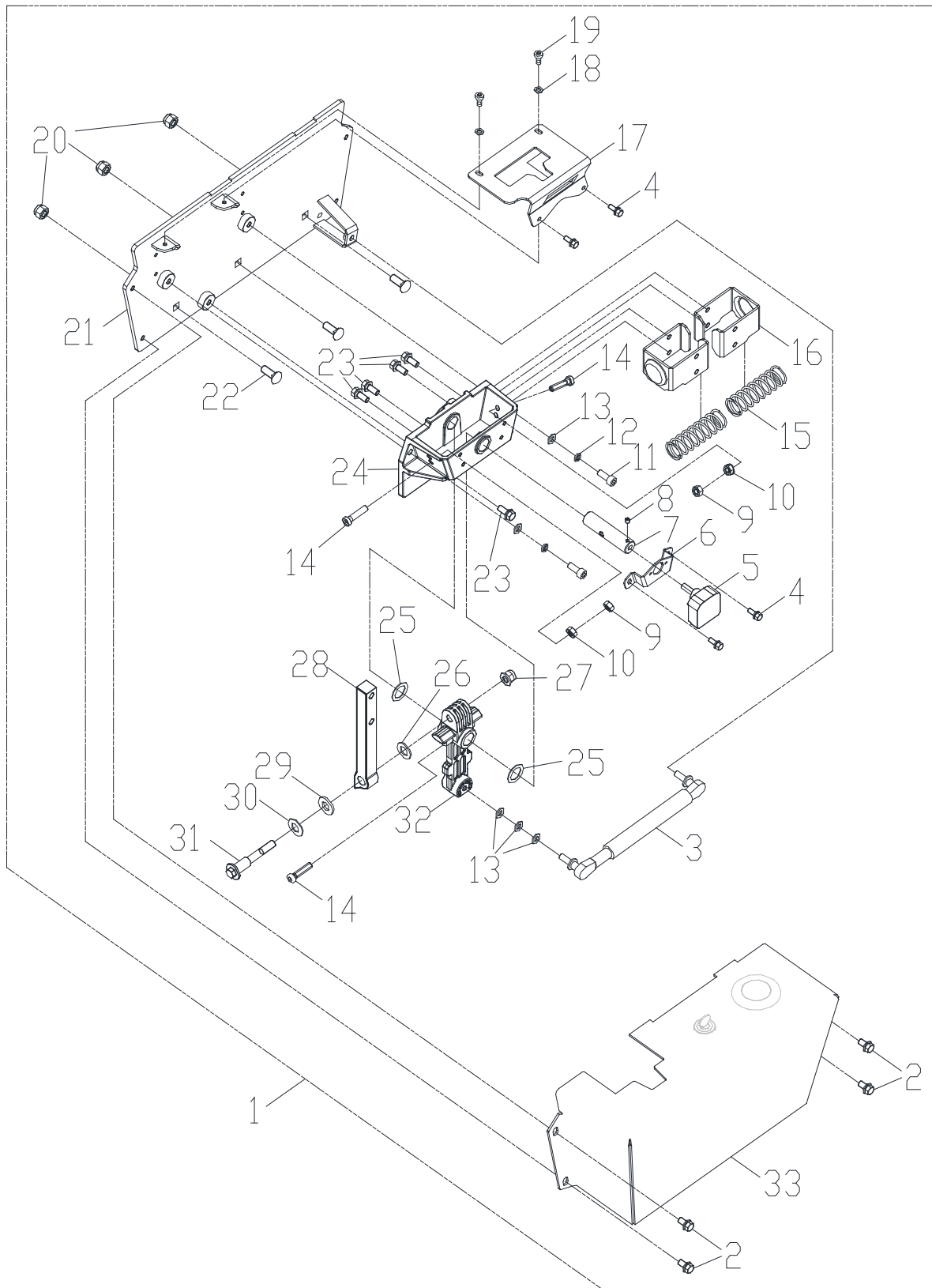
ITEM NO.	PART NO.	DESCRIPTION	QTY
63-01	R0201275-00	Control Arm Assembly	2
63-02	R0201331-00	Control arm cover	1
63-03	R0201333-00	Control arm weldment	1
63-04	R0200509-00	Bolt M10×25	4
63-05	R0200378-00	Spring washer	4

RH CONTROL ARM SUB STRUCTURE



ITEM NO.	PART NO.	DESCRIPTION	QTY
64-01	R0201289-00	Right control handle assembly	1
64-02	R0200380-00	Bolt assembly	4
64-03	R0201338-00	Damper	1
64-04	R0201339-00	Screw M6×15	2
64-05	R0200547-00	Washer	2
64-06	R0201340-00	Control arm guideplate	1
64-07	R0200532-00	Bolt assembly	4
64-08	R0200354-00	Potentiometer	1
64-09	R0201341-00	Sensor connection plate AC	1
64-10	R0200564-00	Screw M6×6	1
64-11	R0201342-00	Potentiometer connection shaft	1
64-12	R0200513-00	Nut M8	2
64-13	R0200519-00	Nut M8	2
64-14	R0201343-00	Compression spring	2
64-15	R0201345-00	Spring seat	2
64-16	R0200534-00	Bolt assembly	5
64-17	R0201347-00	Screw M8×20	2
64-18	R0200540-00	Spring washer	2
64-19	R0200548-00	Washer	5
64-20	R0201350-00	Screw M8×35	3
64-21	R0201352-00	Control pivot casting	1
64-22	R0201353-00	Nylon washer	2
64-23	R0201356-00	Nylon washer	1
64-24	R0201357-00	Control arm handle	1
64-25	R0201358-00	Gasket	1
64-26	R0201362-00	Spring washer	1
64-27	R0201363-00	Shoulder bolt	1
64-28	R0201364-00	Swing arm casting	1
64-29	R0200521-00	Lock nut M10	1
64-30	R0200506-00	Bolt M10×25	3
64-31	R0201366-00	Right console plate	1
64-32	R0200514-00	Lock nut M10	3
64-33	R0201334-00	Right protective cover	1

LH CONTROL ARM SUB STRUCTURE



ITEM NO.	PART NO.	DESCRIPTION	QTY
65-01	R0201319-00	Left control handle assembly	1
65-02	R0200380-00	Bolt assembly	4
65-03	R0201338-00	Damper	1
65-04	R0200532-00	Bolt assembly	4
65-05	R0200354-00	Potentiometer	1
65-06	R0201341-00	Sensor connection plate AC	1
65-07	R0201342-00	Potentiometer connection shaft	1
65-08	R0200564-00	Screw M6×6	1
65-09	R0200519-00	Nut M8	2
65-10	R0200513-00	Nut M8	2
65-11	R0201347-00	Screw M8×20	2
65-12	R0200540-00	Spring washer	2
65-13	R0200548-00	Washer	5
65-14	R0201350-00	Screw M8×35	3
65-15	R0201343-00	Compression spring	2
65-16	R0201345-00	Spring seat	2
65-17	R0201381-00	Control arm guideplate	1
65-18	R0200547-00	Washer	2
65-19	R0201339-00	Screw M6×15	2
65-20	R0200514-00	Lock nut M10	3
65-21	R0201385-00	Left console plate	1
65-22	R0200506-00	Bolt M10×25	3
65-23	R0200534-00	Bolt assembly	5
65-24	R0201352-00	Control pivot casting	1
65-25	R0201353-00	Nylon washer	2
65-26	R0201356-00	Nylon washer	1
65-27	R0200521-00	Lock nut M10	1
65-28	R0201357-00	Control arm handle	1
65-29	R0201358-00	Gasket	1
65-30	R0201362-00	Spring washer	1
65-31	R0201363-00	Shoulder bolt	1
65-32	R0201364-00	Swing arm casting	1
65-33	R0201368-00	Left protective cover	1

GREENWORKS

COMMERCIAL

Greenworks Tools
PO Box 1238
 Mooresville, NC 28115

TOLL-FREE HELPLINE: 1-855-470-4267