

greenworks



EN	POLESAW	OPERATOR MANUAL
FR	ÉLAGUEUSE SUR PERCHE	MANUEL D'OPÉRATEUR
ES	SIERRA TELESCÓPICA	MANUAL DEL OPERADOR



PSE302
48PS8

www.greenworkscommercial.com
www.shopgreenworksgear.com

1	Description.....	4	7.6	Cutting preparation.....	9
1.1	Purpose.....	4	7.7	Install the battery pack.....	9
1.2	Overview.....	4	7.8	Remove the battery pack.....	9
2	General power tool safety warnings.....	4	8	Operation.....	9
2.1	General safety rules.....	4	8.1	Examine the chain oil.....	9
2.2	Child safety.....	5	8.2	Start the machine.....	9
3	Symbols on the product.....	6	8.3	Stop the machine.....	9
4	Risk levels.....	6	8.4	Delimiting a tree.....	10
5	Environmentally safe battery disposal.....	6	8.5	Limb tree branches.....	10
6	Proposition 65.....	7	9	Maintenance.....	10
7	Installation.....	7	9.1	Adjust the chain tension.....	10
7.1	Unpack the machine.....	7	9.2	Sharpen the cutters.....	11
7.2	Add the bar and chain oil.....	7	9.3	Guide bar maintenance.....	11
7.3	Assemble the guide bar and the chain.....	8	10	Transportation and storage.....	12
7.4	Fit the pole saw.....	8	11	Troubleshooting.....	12
7.5	Extension of the pole saw.....	9	12	Technical data.....	12
			13	Limited warranty.....	13
			14	Exploded view.....	14

1 DESCRIPTION

1.1 PURPOSE

This product is a cutting implement mounted on a pole to enable the operator to cut the branches of standing trees. It is not intended for use as a regular chainsaw.

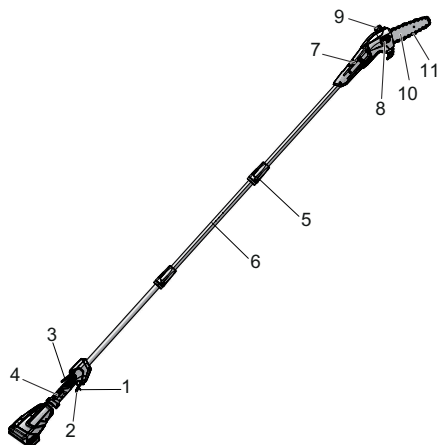
This appliance is not intended for use by persons with reduced understanding, or lack of experience and knowledge, unless they have been given supervision or instruction concerning use of the appliance by a person responsible for their safety.

Never allow children to operate this product.

Never allow adults to operate this equipment without proper instruction.

Children should be supervised to ensure that they do not play with the appliance.

1.2 OVERVIEW



1	Lock-out button	7	Pole saw head
2	Trigger	8	Bar nut
3	Top paddle	9	Oil tank cap
4	Pole saw handle	10	Bar
5	Collar	11	Chain
6	Extension pole		

2 GENERAL POWER TOOL SAFETY WARNINGS

▲ WARNING

Do not operate near electrical power lines. The unit has not been designed to provide protection from electric shock in the event of contact with overhead electric lines. Consult local regulations for safe distances from overhead electric power lines and ensure that the operating position is safe and secure before operating the saw chain pole pruner.

▲ WARNING

Read all safety warnings and all instructions. Failure to follow the warnings and instructions may result in electric shock, fire and/or serious injury.

Save all warnings and instructions for future reference.

The term “power tool” in the warnings refers to your battery-operated (cordless) power tool.

2.1 GENERAL SAFETY RULES

- Avoid Dangerous Environment – Don't use appliances in damp or wet locations.
- Don't Use In Rain.
- Keep Children Away – All visitors should be kept at a distance from work area.
- Dress Properly – Do not wear loose clothing or jewelry. They can be caught in moving parts. Use of rubber gloves and substantial footwear is recommended when working outdoors. Wear protective hair covering to contain long hair.
- Use Safety Glasses – Always use face or dust mask if operation is dusty.
- Use Right Appliance – Do not use appliance for any job except that for which it is intended.
- Avoid Unintentional Starting – Don't carry plugged-in appliance with finger on switch. Be sure switch is off when plugging in. Carrying the appliance with your finger on the switch or energizing appliance that have the switch on invites accidents.
- Don't grasp the exposed cutting blades or cutting edges when picking up or holding the appliance. (For grass shears and similar appliances only.)
- Don't Force Appliance – It will do the job better and with less likelihood of a risk of injury at the rate for which it was designed.
- Don't Overreach – Keep proper footing and balance at all times.
- Stay Alert – Watch what you are doing. Use common sense. Do not operate appliance when you are tired.
- Disconnect Appliance – Disconnect the appliance from the power supply when not in use, before servicing, when changing accessories such as blades, and the like.

- Store Idle Appliances Indoors – When not in use, appliances should be stored indoors in dry, and high or locked-up place – out of reach of children.
- Maintain Appliance With Care – Keep cutting edge sharp and clean for best performance and to reduce the risk of injury. Follow instructions for lubricating and changing accessories. Inspect appliance cord periodically, and if damaged, have it repaired by an authorized service facility. Inspect extension cords periodically and replace if damaged. Keep handles dry, clean, and free from oil and grease.
- Check Damaged Parts – Before further use of the appliance, a guard or other part that is damaged should be carefully checked to determine that it will operate properly and perform its intended function. Check for alignment of moving parts, binding of moving parts, breakage of parts, mounting, and any other condition that may affect its operation. A guard or other part that is damaged should be properly repaired or replaced by an authorized service center unless indicated elsewhere in this manual.
- Keep all parts of the body away from the saw chain. Do not remove cut material or hold material to be cut when blades are moving. Make sure the switch is off when clearing jammed material. Saw chain continues to move after the switch is turned off. A moment of inattention while operating the pole saw may result in serious personal injury.
- Carry the pole saw by the handle with the saw chain stopped. When transporting or storing the pole saw, always fit the saw chain device cover. Proper handling of the pole saw will reduce possible personal injury from the saw chain.
- Hold the pole saw by insulated gripping surfaces only, because the saw chain may contact hidden wiring or its own cord. A saw chain contacting a "live" wire may make exposed metal parts of the pole saw "live" and could give the operator an electric shock.
- Keep cable away from cutting area. During operation the cable may be hidden in shrubs and can be accidentally cut by the saw chain.
- Do not use the pole saw in bad weather conditions, especially when there is a risk of lightning. This decreases the risk of being struck by lightning.
- To reduce the risk of electrocution, never use near any electrical power lines. Contact with or use near power lines may cause serious injury or electric shock resulting in death.
- Always use two hands when operating the pole saw. Hold the pole saw with both hands to avoid loss of control.
- Always use head protection when operating the pole saw overhead. Falling debris can result in serious personal injury.
- Prevent unintentional starting. Ensure the power switch is in the off-position before connecting to battery pack, picking up or carrying the appliance. Carrying the appliance with your finger on the power switch or energizing appliance that have the power switch on invites accidents.
- Make sure the power switch is off and the battery pack is removed before clearing jammed material, making adjustments, changing accessories, storing or servicing the appliance. Unexpected actuation of the appliance while clearing jammed material or servicing may result in serious personal injury.
- Recharge only with the charger specified by the manufacturer. A charger that is suitable for one type of battery pack may create a risk of fire when used with another battery pack.
- Use appliances only with specifically designated battery packs. Use of any other battery packs may create a risk of injury and fire.
- When battery pack is not in use, keep it away from other metal objects, like paper clips, coins, keys, nails, screws or other small metal objects, that can make a connection from one terminal to another. Shorting the battery terminals together may cause burns or a fire.
- Under abusive conditions, liquid may be ejected from the battery; avoid contact. If contact accidentally occurs, flush with water. If liquid contacts eyes, additionally seek medical help. Liquid ejected from the battery may cause irritation or burns.
- Do not use a battery pack or appliance that is damaged or modified. Damaged or modified batteries may exhibit unpredictable behavior resulting in fire, explosion or risk of injury.
- Do not expose a battery pack or appliance to fire or excessive temperature. Exposure to fire or temperature above 130°C may cause explosion. The temperature of 130°C can be replaced by the temperature of 265°F.
- Follow all charging instructions and do not charge the battery pack or appliance outside of the temperature range specified in the instructions. Charging improperly or at temperatures outside of the specified range may damage the battery and increase the risk of fire.
- Have servicing performed by a qualified repair person using only identical replacement parts. This will ensure that the safety of the product is maintained.
- Do not modify or attempt to repair the appliance or the battery pack (as applicable) except as indicated in the instructions for use and care.

2.2 CHILD SAFETY











Tragic accidents can occur if the operator is not aware of the presence of children.

- Keep children out of the working area and under the watchful care of a responsible adult.
- Do not allow children under the age of 14 to operate this machine. Children who are 14 years of age and older must read and understand the operating instructions and safety rules in this manual and must be trained and supervised by a parent.
- Stay alert, and turn the machine off if a child or any other person enters the working area.

- Use extreme care when approaching blind corners, doorways, shrubs, trees, or other objects that may obscure your view of a child who may run into the path of the machine.




3 SYMBOLS ON THE PRODUCT

Some of the following symbols may be used on this product. Please study them and learn their meaning. Proper interpretation of these symbols will allow you to operate the product better and safer.

Symbol	Explanation
	Direct current-Type or characteristic of current.
	Precautions that involve your safety.
	Read and understand all instructions before operating the product, and follow all warnings and safety instructions.
	Wear eye protection.
	Do not expose the product to rain or moist conditions.
	Wear ear protection.
	Wear head protection.
	Wear safety footwear.
	Wear non-slip, heavy duty gloves.
	DANGER! Risk of electrocution!

4 RISK LEVELS

The following signal words and meanings are intended to explain the levels of risk associated with this product.

SYMBOL	SIGNAL	MEANING
	DANGER	Indicates an imminently hazardous situation, which, if not avoided, will result in death or serious injury.
	WARNING	Indicates a potentially hazardous situation, which, if not avoided, could result in death or serious injury.
	CAUTION	Indicates a potentially hazardous situation, which, if not avoided, may result in minor or moderate injury.
	CAUTION	(Without Safety Alert Symbol) Indicates a situation that may result in property damage.

5 ENVIRONMENTALLY SAFE BATTERY DISPOSAL



The toxic and corrosive materials below are in the batteries used in this machine: **Lithium-Ion, a toxic material.**

▲ WARNING

Discard all toxic materials in a specified manner to prevent contamination of the environment. Before discarding damaged or worn out Li-ion battery, contact your local waste disposal agency, or the local Environmental Protection Agency for information and specific instructions. Take the batteries to a local recycling and/or disposal center, certified for lithium-ion disposal.

▲ WARNING

If the battery pack cracks or breaks, with or without leaks, do not recharge it and do not use. Discard it and replace with a new battery pack. **DO NOT TRY TO REPAIR IT!** To prevent injury and risk of fire, explosion, or electric shock, and to avoid damage to the environment:

- Cover the terminals of the battery with heavy-duty adhesive tape.
- **DO NOT** try to remove or destroy any of the battery pack components.
- **DO NOT** try to open the battery pack.
- If a leak develops, the released electrolytes are corrosive and toxic. **DO NOT** get the solution in the eyes or on skin, and do not swallow it.
- **DO NOT** put these batteries in your regular household trash.
- **DO NOT** incinerate.
- **DO NOT** put them where they will become part of any waste landfill or municipal solid waste stream.
- Take them to a certified recycling or disposal center.

6 PROPOSITION 65**▲ WARNING**

This product contains a chemical known to the state of California to cause cancer, birth defects or other reproductive harm. Some dust created by power sanding, sawing, grinding, drilling, and other construction activities contains chemicals known to cause cancer, birth defects or other reproductive harm. Some examples of these chemicals are:

- Lead from lead-based paints;
- Crystalline silica from bricks and cement and other masonry products;
- Arsenic and chromium from chemically treated lumber.

Your risk of exposure to these chemicals varies depending on how often you do this type of work. To reduce your exposure to these chemicals, work in a well-ventilated area, and work with approved safety equipment, such as dust masks that are specially designed to filter out microscopic particles.

Save these instructions.

7 INSTALLATION**7.1 UNPACK THE MACHINE****▲ WARNING**

Make sure that you correctly assemble the machine before use.

▲ WARNING

- If parts of the machine are damaged, do not use the machine.
- If you do not have all the parts, do not operate the machine.
- If the parts are damaged or missing, contact the service center.

1. Open the package.
2. Read the documentation in the box.
3. Remove all the unassembled parts from the box.
4. Remove the machine from the box.
5. Discard the box and package in compliance with local regulations.

7.2 ADD THE BAR AND CHAIN OIL

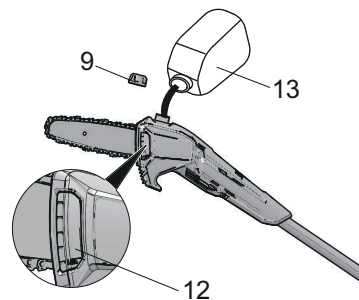
Examine the amount of oil in the machine. If the oil level is low, add the bar and chain oil as follows.

i IMPORTANT

Use bar and chain oil that is only for chains and chain oilers.

i NOTE

The machine comes from the factory without bar and chain oil.



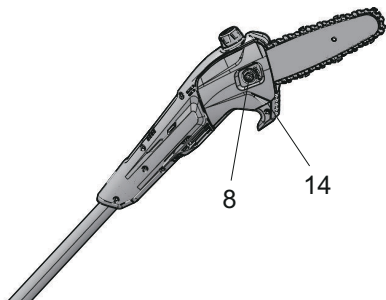
1. Loosen and remove the cap from the oil tank (9).
2. Put the oil (13) into the oil tank.
3. Monitor the oil indicator (12) to make sure that no dirt gets into the oil tank while you add the oil.
4. Put the oil cap on.
5. Tighten the oil cap.
6. The whole oil tank will last for approximately 20- 40 minutes.

i IMPORTANT

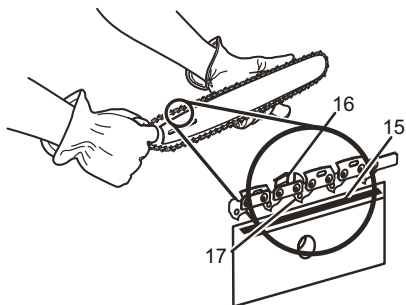
Do not use dirty, used or contaminated oil. Damage can occur to the bar or chain.

7.3 ASSEMBLE THE GUIDE BAR AND THE CHAIN

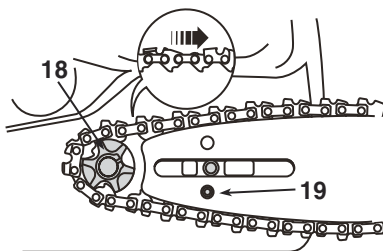
1. Loosen the chain cover by turning the bar nut (8) counterclockwise.
2. Remove the chain cover (14).



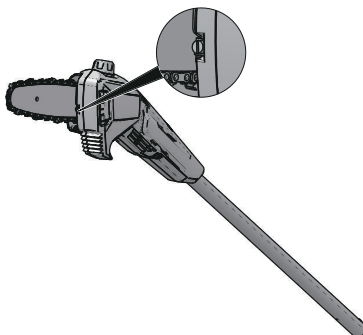
3. Put the chain drive links (17) into the bar groove (15).
4. Put the chain cutters (16) in the direction of the chain operation.
5. Put the chain in position and make sure that the loop is behind the guide bar.



6. Hold the chain and bar.
7. Put the chain loop around the sprocket (18).
8. Make sure the chain tension pin hole (19) on the guide bar fits correctly with the bolt.



9. Install the chain cover.
10. Tighten the chain. Refer to *Adjust the chain tension*.



11. Tighten the bar nut when the chain is correctly tensioned.

i NOTE

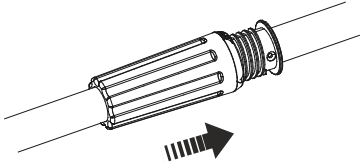
If you start the chain saw with a new chain, have a test for 2-3 minutes. A new chain gets longer after the first use, examine the tension and tighten the chain if necessary.

7.4 FIT THE POLE SAW



1. Mount the pole saw head on pole saw handle to achieve the standard length.
2. Slide the collar upwards.
3. Turn the collar clockwise to tight it.

7.5 EXTENSION OF THE POLE SAW



1. Fit the extension pole between the pole saw handle and the pole saw head to achieve the maximum length.
2. Slide the collars upwards.
3. Turn the collars clockwise to tight them.

▲ WARNING

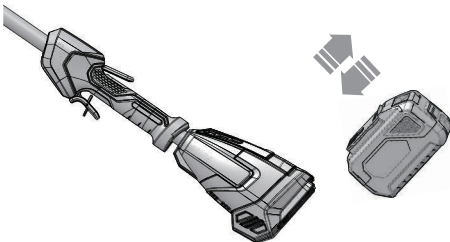
Periodically check the tightness of the connection of the collars.

7.6 CUTTING PREPARATION

Before you start to cut, make sure that

- Wear heavy gloves for maximum grip and protection.
- Maintain a proper grip on the machine during operation.
 - Use your right hand grip on the rear handle while your left hand grip on the pole shaft.
 - Keep your body to the left of the chain line.
 - Never use a left-handed (cross-handed) grip, or any stance that places your body or arm across the chain line.
- Never stand directly under the limb you are cutting.
- Periodically examine the tightness of the collars during operation.

7.7 INSTALL THE BATTERY PACK



▲ WARNING

- If the battery pack or charger is damaged, replace the battery pack or the charger.
- Stop the machine and wait until the motor stops before you install or remove the battery pack.
- Read and understand the instructions in the battery and charger manual.

1. Align the lift ribs on the battery pack with the grooves in the battery compartment.
2. Push the battery pack into the battery compartment until the battery pack locks into place.
3. When you hear a click, the battery pack is installed.

7.8 REMOVE THE BATTERY PACK

1. Push and hold the battery release button.
2. Remove the battery pack from the machine.

8 OPERATION

i NOTE

Remove the battery pack and keep hands clear of the lock out button when you move the machine.

i IMPORTANT

Examine the chain tension before each use.

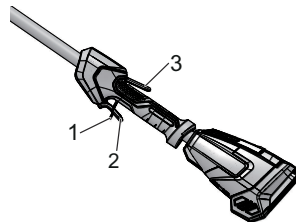
8.1 EXAMINE THE CHAIN OIL

i NOTE

Do not use the machine without sufficient chain oil.

1. Examine the oil level of the machine from the oil indicator.
2. Add the oil if it is necessary.

8.2 START THE MACHINE

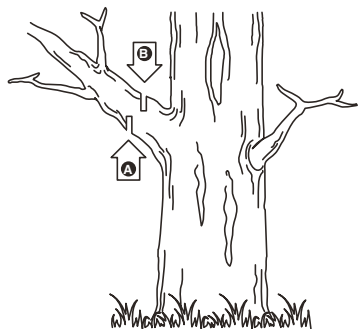


1. Install the battery pack into the machine.
2. Press the top paddle (3).
3. Pull the lock-out button (1) upward with your thumb.
4. Press the trigger (2).

8.3 STOP THE MACHINE

1. Release the trigger to stop the machine.

8.4 DELIMBING A TREE



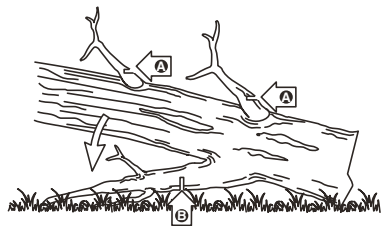
▲ WARNING

Make sure that there is nothing or nobody in the area where the branches fall.

- Stand opposite the branch you will cut.
- Start to cut the higher branches.
- Then cut the lower branches.
- Cut downwards to prevent the bar from jamming.

8.5 LIMB TREE BRANCHES

Limbing is to remove the branches from a fallen tree.



1. Keep the larger lower branches to hold the log off the ground.
2. Remove the small limbs in one cut.
3. Limb the branches with tension from the bottom to up.
4. Keep the larger lower branches as a support until the log is limbed.

9 MAINTENANCE

▲ CAUTION

Do not let brake fluids, gasoline, petroleum-based materials touch the plastic parts. Chemicals can cause damage to the plastic, and make the plastic unserviceable.

▲ CAUTION

Do not use strong solvents or detergents on the plastic housing or components.

▲ WARNING

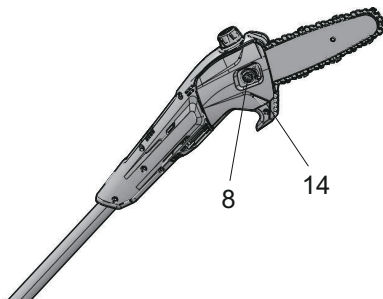
Remove the battery pack from the machine before maintenance.

9.1 ADJUST THE CHAIN TENSION

▲ CAUTION

Wear protective gloves if you touch the chain, bar or areas around the chain.

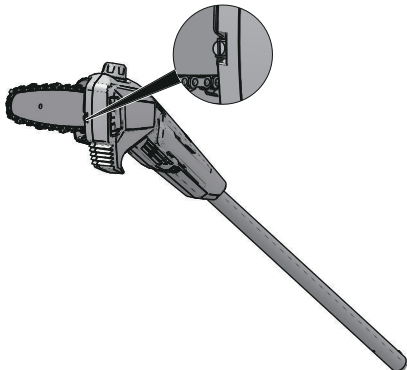
1. Loosen the chain cover by turning the bar nut counterclockwise.



i NOTE

It is not necessary to remove the chain cover to adjust the chain tension.

2. Turn the chain tension screw behind the bar and chain clockwise to increase the chain tension.
3. Turn the chain tension screw counterclockwise to decrease the chain tension.



- When the chain is at the wanted tension, tighten the chain cover.

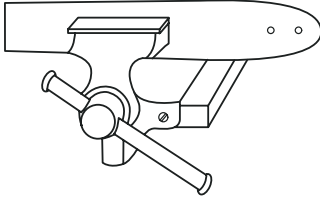
9.2 SHARPEN THE CUTTERS

Sharpen the cutters if it is not easy for the chain to go into the wood.

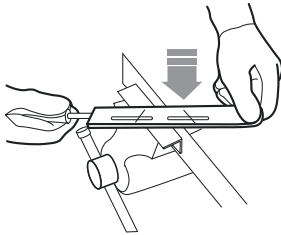
i NOTE

We recommend that a service center, which has an electric sharpener, perform important sharpening work.

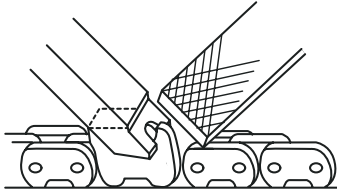
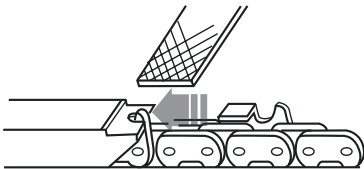
- Tensioning chain.



- Sharpen the cutters corner with a 5/32 in. (4 mm) diameter round file.



- Sharpen the top plate, side plate and depth gauge with a flat file.



- File all the cutters to the specified angles and the same length.

i NOTE

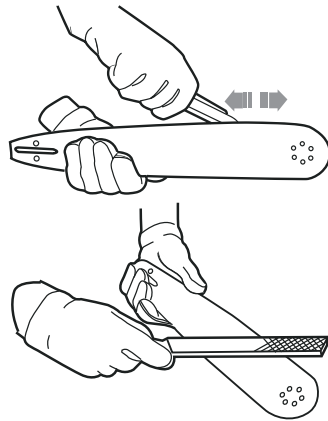
During the process,

- Keep the file flat with the surface to be sharpened.
- Use the midpoint of the file bar.
- Use light but firm pressure when sharpening the surface.
- Lift the file away on each return stroke.
- Sharpen the cutters on one side and then move to the other side.

Replace the chain if:

- The length of the cutting edges is less than 1/5 in. (5 mm).
- There is too much space between the drive links and the rivets.
- The cut speed is slow
- Sharpening the chain many times but it does not increase the cutting speed. The chain is worn.

9.3 GUIDE BAR MAINTENANCE



i NOTE

Make sure that it is turned over periodically to keep symmetrical wear on the bar.

- Lubricate the bearings on the nose sprocket (if present) with the syringe (not included).
- Clean the bar groove with the scraping hook (not included).
- Clean the lubrication holes.
- Remove burr from the edges and level the cutters with a flat file.

Replace the bar if:

- the groove does not fit with the height of the drive links (which must never touch the bottom).
- the inside of the guide bar is worn and makes the chain lean to one side.

10 TRANSPORTATION AND STORAGE

Before you move the machine, always

- Remove the battery pack from the machine.
- Keep hands clear of the lock-out button.
- Put the scabbard on the guide bar and the chain.

Before you put the machine into storage, always

- Remove all residual oil from the machine.
- Remove the battery pack from the machine.
- Clean all unwanted material from the machine.
- Make sure that the storage area is
 - Not available to children.
 - Away from agents which can cause corrosion, such as garden chemicals and de-icing salts.

11 TROUBLESHOOTING

Problem	Possible cause	Solution
The machine does not start.	The poles are not assembled correctly.	Assemble the poles according to the instructions.
	The lock-out button and trigger are not depressed at the same time.	<ol style="list-style-type: none"> 1. Push and hold the lock-out button 2. While you hold the lock-out button, pull the trigger. 3. Release the lock-out button to start the machine.

Problem	Possible cause	Solution
The bar and chain gets hot and smokes.	Oil tank is empty.	Fill the oil tank.
	The discharge port is blocked.	<ol style="list-style-type: none"> 1. Remove the battery pack. 2. Remove dirt from the discharge port.
	Inlet opening of inner oil tank is blocked.	<ol style="list-style-type: none"> 1. Clean the oil tank. 2. Fill with clean bar and chain lubricant.
The bar and chain gets too hot and can not cut.	The sprocket is stuck and clogged with debris.	<ol style="list-style-type: none"> 1. Clean the sprocket. 2. Fill with clean bar and chain lubricant.
	The chain tension is too tight or too loose.	Refer to Adjust the Chain Tension in the manual.
	The chain is dull	Sharpen or replace the chain.
The motor runs, but the chain does not cut correctly, or the motor stops after around 3 seconds.	The chain is put on backwards.	Take out the chain and turn it in the right direction.
	When you use the machine under load, it stops.	<ol style="list-style-type: none"> 1. Release the trigger. 2. Start the machine again.
	The chain is not lubricated.	Lubricate the chain to decrease the friction.

12 TECHNICAL DATA

Voltage	48V DC
Guide bar length	200 mm
Chain pitch	3/8" LP (9.5 mm)
Chain gauge	.050" (1.3 mm)
Chain oil capacity	80 ml
Weight (without battery pack)	8.2 lbs (3.7 kg)
Chain	91PJ033X/CL15033X
Guide bar	080NDEA318/ M1500833-1318TL
Battery model	BAM706 and other BAM series
Charger model	CAM803 and other CAM series

The recommended ambient temperature range:

Item	Temperature
Appliance storage temperature range	32°F (0°C) - 113°F (45°C)
Appliance operation temperature range	32°F (0°C) - 113°F (45°C)
Battery charging temperature range	39°F (4°C) - 104°F (40°C)
Charger operation temperature range	39°F (4°C) - 104°F (40°C)
Battery storage temperature range	32°F (0°C) - 113°F (45°C)
Battery discharging temperature range	32°F (0°C) - 113°F (45°C)

TRANSPORTATION CHARGES:

Transportation charges for the movement of any power equipment unit or attachment are the responsibility of the purchaser. It is the purchaser's responsibility to pay transportation charges for any part submitted for replacement under this warranty unless such return is requested in writing by Greenworks.

USA address:

Greenworks Tools

P.O. Box 1238

Mooresville, NC 28115

Canadian address:

Greenworks Tools Canada Inc.

P.O. Box 93095, Newmarket,
Ontario

L3Y 8K3

13 LIMITED WARRANTY

Greenworks hereby warrants this product, to the original purchaser with proof of purchase, for a period of three (3) years against defects in materials, parts or workmanship. Greenworks, at its own discretion will repair or replace any and all parts found to be defective, through normal use, free of charge to the customer. This warranty is valid only for units which have been used for personal use that have not been hired or rented for industrial/commercial use, and that have been maintained in accordance with the instructions in the owners' manual supplied with the product from new.

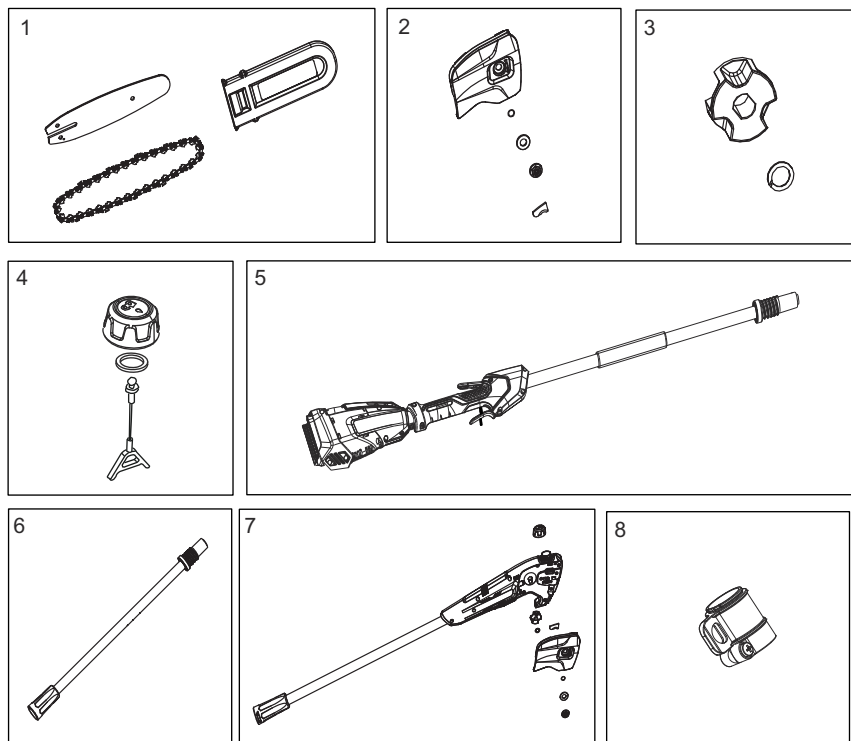
ITEMS NOT COVERED BY WARRANTY:

1. Any part that has become inoperative due to misuse, commercial use, abuse, neglect, accident, improper maintenance, or alteration; or
2. The unit, if it has not been operated and/or maintained in accordance with the owner's manual; or
3. Normal wear, except as noted below;
4. Routine maintenance items such as lubricants, blade sharpening;
5. Normal deterioration of the exterior finish due to use or exposure.

HELPLINE:

Warranty service is available by calling our toll-free helpline, at 1-855-470-4267.

14 EXPLODED VIEW



No .	Part No.	Qty	Description	No .	Part No.	Qty	Description
1	R0201082-00	1	Bar / Chain / Scabbard	5	R0201102-00	1	Rear Pole Assembly
2	R0200052-00	1	Sprocket Cover Assembly	6	R0201103-00	1	Intermediate Pole
3	R0200049-00	1	Sprocket Kit	7	R0201104-00	1	Polesaw Head Assembly
4	R0200056-00	1	Oil Cap Assembly	8	RB34108836V1	1	Harness Buckle

1	Description.....	16			
1.1	But.....	16	7.5	Extension de la scie à long manche.....	21
1.2	Aperçu.....	16	7.6	Préparation de la coupe.....	21
2	Avertissements généraux de sécurité des outils électriques.....	16	7.7	Installez la batterie.....	21
2.1	Règles générales de sécurité.....	16	7.8	Retirez le bloc-batterie.....	21
2.2	Sécurité des enfants.....	18	8	Utilisation.....	22
3	Symboles figurant sur la machine.....	18	8.1	Examiner la lubrification de la chaîne.....	22
4	Niveaux de risques.....	18	8.2	Démarrer la machine.....	22
5	Élimination des batteries sans danger pour l'environnement.....	19	8.3	Arrêter la machine.....	22
6	Proposition 65.....	19	8.4	Ébranchage d'un arbre.....	22
7	Installation.....	19	8.5	Branches d'arbres.....	22
7.1	Déballer la machine.....	19	9	Entretien.....	22
7.2	Ajoutez le lubrifiant de guide-chaîne et chaîne.....	20	9.1	Réglez la tension de la chaîne.....	23
7.3	Assemblage du guide-chaîne et de la chaîne..	20	9.2	Affûter les dents.....	23
7.4	Montez la scie à long manche.....	21	9.3	Entretien du guide-chaîne.....	24
			10	Transport et entreposage.....	24
			11	Dépannage.....	25
			12	Données techniques.....	25
			13	Garantie limitée.....	26
			14	Vue éclatée.....	27

1 DESCRIPTION

1.1 BUT

Ce produit est un outil de coupe monté sur un poteau pour permettre à l'opérateur de couper les branches des arbres debout. Il n'est pas destiné à être utilisé comme une scie à chaîne ordinaire.

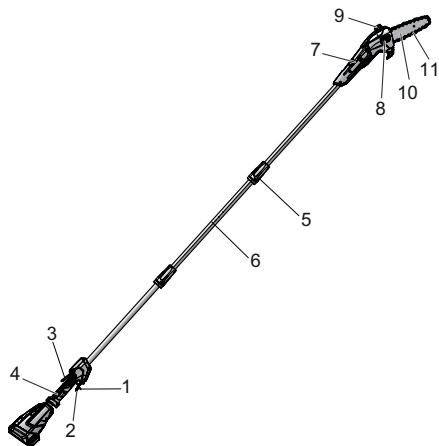
Cet appareil n'est pas destiné à être utilisé par des personnes ayant une compréhension réduite ou un manque d'expérience et de connaissances, à moins qu'elles n'aient reçu une supervision ou des instructions concernant son utilisation par une personne responsable de leur sécurité.

Ne laissez jamais un enfant utiliser ce produit.

Ne laissez jamais un adulte utiliser cet équipement sans avoir reçu des instructions adéquates pour le faire.

Les enfants doivent être surveillés pour s'assurer qu'ils ne jouent pas avec l'appareil.

1.2 APERÇU



- | | |
|------------------------------------|---------------------------------|
| 1 Bouton de verrouillage | 7 Tête de la scie à long manche |
| 2 Gâchette | 8 Écrou de la barre |
| 3 Palette supérieure | 9 Bouchon du réservoir d'huile |
| 4 Poignée de la scie à long manche | 10 Guide |
| 5 Collet | 11 Chaîne |
| 6 Tige rallonge | |

2 AVERTISSEMENTS GÉNÉRAUX DE SÉCURITÉ DES OUTILS ÉLECTRIQUES

▲ AVERTISSEMENT

N'utilisez pas cet appareil à proximité de lignes électriques. L'appareil n'a pas été conçu pour assurer une protection contre les chocs électriques en cas de contact avec des lignes électriques aériennes. Consultez les réglementations locales pour connaître les distances de sécurité par rapport aux lignes électriques aériennes et vous assurer que votre emplacement est sécuritaire avant d'utiliser l'échenilloir à chaîne.

▲ AVERTISSEMENT

Lisez tous les avertissements de sécurité et toutes les instructions. Le non-respect de ces avertissements et de ces instructions peut entraîner un choc électrique, un incendie et/ou des blessures graves.

Conservez tous les avertissements et instructions pour référence ultérieure.

Le terme « outil électrique » dans les avertissements fait référence à votre outil électrique (sans fil) fonctionnant sur batterie.

2.1 RÈGLES GÉNÉRALES DE SÉCURITÉ

- Évitez les environnements dangereux - N'utilisez pas les appareils dans des endroits humides ou mouillés.
- N'utilisez pas sous la pluie.
- Gardez les enfants à l'écart - Tous les visiteurs doivent être tenus à bonne distance de la zone de travail.
- Habillez-vous correctement – Ne portez pas de vêtements amples ou de bijoux. Ils pourraient se coincer dans les pièces en mouvement. Le port de gants en caoutchouc et de chaussures adaptées est recommandé pour travailler à l'extérieur. Portez un couvre-chef protecteur pour contenir les cheveux longs.
- Portez des lunettes de protection : utilisez toujours un masque facial ou un masque anti-poussière si l'opération est poussiéreuse.
- Utilisez le bon appareil : n'utilisez pas l'appareil pour d'autres tâches que celles auxquelles il est destiné.
- Évitez tout démarrage accidentel – Ne transportez pas l'appareil branché avec un doigt sur l'interrupteur. Assurez-vous que l'interrupteur est éteint lorsque vous branchez l'appareil. Le fait de porter l'appareil avec un doigt sur l'interrupteur ou d'alimenter l'appareil dont l'interrupteur est en marche risque de provoquer des accidents.
- Ne saisissez pas les lames ou les arêtes de coupe exposées lorsque vous soulevez ou tenez l'appareil. (Uniquement pour les cisailles à gazon et appareils similaires.)

- Ne forcez pas l'appareil - Il fera mieux le travail et avec moins de risque de blessure à la vitesse pour laquelle il a été conçu.
- Ne vous penchez pas trop, gardez un bon équilibre en tout temps.
- Soyez vigilant – Faites attention à ce que vous faites. Faites appel à votre bon sens. N'utilisez pas la tondeuse lorsque vous êtes fatigué.
- Débranchez la tondeuse à gazon – Débranchez l'appareil de l'alimentation électrique lorsqu'il n'est pas utilisé, avant l'entretien, lors du remplacement des accessoires tels que les lames, etc.
- Entrez les appareils inutilisés à l'intérieur - Lorsqu'ils ne sont pas utilisés, entreposez-les à l'intérieur, dans un endroit sec, surélevé ou verrouillé, hors de la portée des enfants.
- Entretenez l'appareil avec soin - Gardez les bords tranchants et propres pour une meilleure performance et pour réduire les risques de blessures. Suivez les instructions pour lubrifier et changer les accessoires. Inspectez périodiquement le cordon de l'appareil. S'il est endommagé, faites-le réparer par un réparateur agréé. Inspectez périodiquement les rallonges électriques et remplacez-les si elles sont endommagées. Veillez à ce que les poignées restent propres, sèches et exemptes d'huile et de graisse.
- Vérifier les pièces endommagées – Avant de continuer à utiliser la machine, il convient de vérifier soigneusement une garde protectrice ou toute autre pièce endommagée pour s'assurer qu'il fonctionnera correctement comme prévu. Vérifiez l'alignement des pièces mobiles, la fixation des pièces mobiles, la cassure des pièces, les fixations endommagées et toute autre condition qui pourrait affecter leur fonctionnement. Une garde protectrice ou toute autre pièce endommagée doit être correctement réparée ou remplacée par un centre de service agréé, sauf en cas d'indication contraire dans ce manuel.
- Veillez à ce qu'aucune partie du corps ne s'approche de la tronçonneuse. N'enlevez pas le matériau coupé et ne retenez pas le matériau à couper lorsque les lames sont en mouvement. Assurez-vous que l'interrupteur est éteint lorsque vous enlevez le matériel coincé. La tronçonneuse continue de fonctionner alors que l'interrupteur est éteint. Un simple moment d'inattention lors de l'utilisation de la tête de scie peut provoquer des blessures corporelles graves.
- Portez la tronçonneuse en la tenant par la poignée, lorsque qu'elle était bien éteinte. Remettez toujours le couvercle du guide-chaîne avant de transporter ou de ranger la tronçonneuse. Une manipulation correcte de la tête de scie réduira les risques de blessures corporelles causées par la chaîne de la tronçonneuse.
- Tenez toujours la tronçonneuse par ses poignées isolantes parce que la lame peut à tout moment entrer en contact avec un fil électrique caché ou sa propre rallonge. Si une tronçonneuse entre en contact avec un fil électrique sous tension, les parties métalliques non carénées de l'outil peuvent se retrouver sous tension et l'opérateur risque d'être électrocuté.
- Tenez le câble éloigné de la zone de coupe. Pendant le fonctionnement, le câble peut être caché dans des arbustes et peut être coupé accidentellement par la chaîne de la scie.
- N'utilisez pas la scie à long manche par mauvais temps, surtout s'il y a un risque de foudre. Cela diminue le risque d'être frappé par la foudre.
- Pour réduire le risque d'électrocution, ne jamais utiliser à proximité d'une ligne électrique. Tout contact avec des lignes électriques ou toute utilisation à proximité de celles-ci peut provoquer des blessures graves ou un choc électrique pouvant entraîner la mort.
- Utilisez toujours les deux mains lorsque vous utilisez la scie à long manche. Tenez la scie à deux mains pour éviter toute perte de contrôle.
- Utilisez toujours une protection de la tête lorsque vous utilisez la scie à poteaux au-dessus de votre tête. La chute de débris peut causer des blessures graves.
- Évitez tout démarrage accidentel. Assurez-vous que l'interrupteur est en position d'arrêt avant de brancher la batterie, de soulever ou de transporter l'appareil. Le fait de transporter un appareil avec un doigt sur l'interrupteur ou d'alimenter un appareil dont l'interrupteur est en position de marche risque de provoquer des accidents.
- Assurez-vous que l'interrupteur est éteint et que la batterie est retirée avant d'éliminer les blocages, d'effectuer des réglages, de changer les accessoires, de ranger ou de réparer l'appareil. Une mise en marche inattendue de l'appareil lors de l'élimination de blocages ou de l'entretien peut entraîner des blessures graves.
- Rechargez uniquement avec le chargeur spécifié par le fabricant. Un chargeur adapté à un type de batterie peut créer un risque d'incendie lorsqu'il est utilisé avec une autre batterie.
- Utilisez les appareils uniquement avec des batteries spécialement conçues à cet effet. L'utilisation de toutes autres batteries peut créer un risque de blessure et d'incendie.
- Lorsque la batterie n'est pas utilisée, éloignez-la des autres objets métalliques tels qu'attaches trombones, pièces de monnaie, clés, clous, vis ou autres petits objets métalliques qui peuvent établir une connexion d'une borne à une autre. Le court-circuitage des bornes de la batterie peut provoquer des brûlures ou un incendie.
- Dans des conditions abusives, du liquide peut être éjecté de la batterie ; évitez tout contact. En cas de contact accidentel, rincez avec de l'eau. En cas de contact avec les yeux, consultez également un médecin. Le liquide s'échappant des batteries peut causer des irritations ou des brûlures.
- N'utilisez pas une batterie ou un appareil endommagé ou modifié. Les batteries endommagées ou modifiées peuvent présenter un fonctionnement imprévisible et provoquer un incendie, une explosion ou un risque de blessure.

- N'exposez pas une batterie ou un appareil à un feu ou à une température excessive. L'exposition au feu ou une température supérieure à 130°C peut provoquer une explosion. La température de 130°C peut être remplacée par la température de 265°F.
- Suivez toutes les instructions de recharge et ne rechargez pas la batterie ou l'appareil en dehors de la plage de température spécifiée dans ces instructions. Un rechargement incorrect ou à des températures en dehors de la plage spécifiée peut endommager la batterie et augmenter le risque d'incendie.
- Faites effectuer l'entretien par un réparateur qualifié en n'utilisant que des pièces de rechange identiques. Cela garantira le maintien de la sécurité du produit.
- Ne modifiez pas ou n'essayez pas de réparer l'appareil ou la batterie (selon le cas) sauf en conformité avec les instructions d'utilisation et d'entretien indiquées dans ce manuel.

2.2 SÉCURITÉ DES ENFANTS

Des accidents tragiques peuvent se produire si l'opérateur n'est pas au courant de la présence des enfants.

- Éloignez les enfants de la zone de travail et placez-les sous la surveillance d'un adulte responsable.
- Ne laissez pas un enfant de moins de 14 ans utiliser cette machine. Les enfants de 14 ans et plus doivent lire et comprendre les instructions d'utilisation et les règles de sécurité contenues dans ce manuel et doivent être formés et supervisés par un parent.
- Restez vigilant et éteignez la machine si un enfant ou une autre personne entre dans la zone de travail.
- Soyez extrêmement prudent lorsque vous vous approchez d'un angle mort, d'une porte, d'un arbuste, d'un arbre ou de tout autre objet qui pourrait masquer la vue d'un enfant qui pourrait se heurter à la machine.

3 SYMBOLES FIGURANT SUR LA MACHINE

Certains des symboles suivants peuvent être utilisés sur ce produit. Veuillez les étudier et apprendre leur signification. Une bonne interprétation de ces symboles vous permettra de mieux utiliser le produit et de manière plus sécuritaire.

Symbole	Explication
	Courant continu - Type ou caractéristique du courant.
	Précautions destinées à assurer la sécurité.
	Lisez et comprenez toutes les instructions avant d'utiliser cette machine, et suivez tous les avertissements et les consignes de sécurité.

Symbole	Explication
	Portez des lunettes de protection.
	Ne pas exposer la machine à la pluie ou à l'humidité.
	Portez un casque anti-bruit.
	Portez un casque protecteur.
	Portez des chaussures de sécurité.
	Portez des gants antidérapants et résistants.
	DANGER ! Risque d'électrocution !

4 NIVEAUX DE RISQUES

Les termes de mise en garde suivants et leur signification ont pour but d'expliquer les niveaux de risques associés à l'utilisation de ce produit.

SYMBOLE	SIGNAL	SIGNIFICATION
	DANGER	Indique une situation dangereuse imminente qui, si elle n'est pas évitée, peut entraîner la mort ou des blessures graves.
	AVERTISSEMENT	Indique une situation potentiellement dangereuse qui, si elle n'est pas évitée, peut entraîner la mort ou des blessures graves.
	MISE EN GARDE	Indique une situation potentiellement dangereuse qui, si elle n'est pas évitée, pourrait causer des blessures mineures ou modérées.
	MISE EN GARDE	(Sans symbole d'alerte de sécurité) indique une situation pouvant entraîner des dommages matériels.

5 ÉLIMINATION DES BATTERIES SANS DANGER POUR L'ENVIRONNEMENT



Les matières toxiques et corrosives ci-dessous se trouvent dans les batteries utilisées dans cette machine : **Lithium-ion, une substance toxique.**

▲ AVERTISSEMENT

Éliminez toutes les substances toxiques d'une manière spécifiée afin de prévenir la contamination de l'environnement. Avant de jeter une batterie Li-ion endommagée ou usée, contactez votre agence locale d'élimination des déchets ou l'agence locale de protection de l'environnement pour obtenir des informations et des instructions spécifiques. Apportez les batteries à un centre local de recyclage ou d'élimination certifié pour l'élimination de batteries au lithium-ion.

▲ AVERTISSEMENT

Si la batterie se fend ou se brise, avec ou sans fuites, ne la rechargez pas et ne l'utilisez pas. Jetez-la et remplacez-la par une nouvelle batterie. **N'ESSAYEZ PAS DE LA RÉPARER !** Pour prévenir les blessures et les risques d'incendie, d'explosion ou de choc électrique, et pour éviter tout dommage à l'environnement :

- Couvrez les bornes de la batterie avec du ruban adhésif résistant.
- **NE PAS** essayer d'enlever ou de détruire les composants de la batterie.
- **NE PAS** essayer d'ouvrir ou de réparer la batterie.
- En cas de fuite, les électrolytes rejetés sont corrosifs et toxiques. **NE laissez PAS** entrer la solution dans les yeux ou en contact avec la peau et ne l'avalez pas.
- **NE PAS** jeter vos batteries usagées dans votre poubelle à ordures ménagères.
- **N'incinerez PAS** les batteries.
- **NE LES Mettez PAS** dans un endroit où ils feront partie d'un site d'enfouissement de déchets ou d'un flux de déchets solides municipaux.
- Emmenez-les dans un centre de recyclage ou d'élimination certifié.

6 PROPOSITION 65

▲ AVERTISSEMENT

Ce produit contient un produit chimique connu dans l'état de Californie comme étant une cause de cancer, de malformations congénitales ou d'autres problèmes de reproduction. Certaines poussières produites par le ponçage mécanique, le sciage, le meulage, le perçage et d'autres activités de construction contiennent des produits chimiques connus pour causer le cancer, des malformations congénitales ou d'autres problèmes de reproduction. Voici quelques exemples de ces produits chimiques :

- Plomb provenant de peintures à base de plomb;
- Silice cristalline provenant de briques, de ciment et d'autres produits de maçonnerie;
- Arsenic et chrome provenant de bois traité chimiquement.

Votre risque d'exposition à ces produits chimiques varie selon la fréquence à laquelle vous faites ce type de travail. Pour réduire votre exposition à ces produits chimiques, travaillez dans un endroit bien ventilé et utilisez un équipement de sécurité approuvé, comme des masques anti-poussière spécialement conçus pour filtrer les particules microscopiques.

Conservez ces instructions.

7 INSTALLATION

7.1 DÉBALLEZ LA MACHINE

▲ AVERTISSEMENT

Assurez-vous d'assembler correctement la machine avant de l'utiliser.

▲ AVERTISSEMENT

- Si les pièces de la machine sont endommagées, ne l'utilisez pas.
- Si vous n'avez pas toutes les pièces, n'utilisez pas la machine.
- Si les pièces sont endommagées ou manquantes, communiquez avec le centre de service.

1. Ouvrez l'emballage.
2. Lisez la documentation contenue dans la boîte.
3. Retirez toutes les pièces non assemblées de la boîte.
4. Retirez la machine de sa boîte.
5. Jetez la boîte et l'emballage en respectant les règlements locaux.

7.2 AJOUTEZ LE LUBRIFIANT DE GUIDE-CHAÎNE ET CHÂÎNE

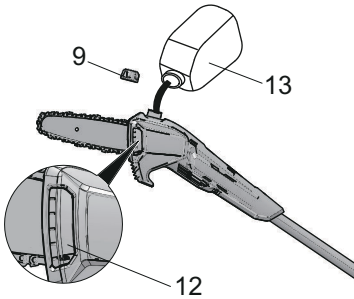
Vérifiez la quantité d'huile dans la machine. Si le niveau de lubrifiant est bas, ajoutez le lubrifiant du guide-chaîne et chaîne comme suit.

i IMPORTANT

Utilisez du lubrifiant pour guide-chaîne et chaîne qui ne convient qu'aux chaînes et aux huileurs de chaîne.

i REMARQUE

La machine sort de l'usine sans lubrifiant pour le guide-chaîne et la chaîne.



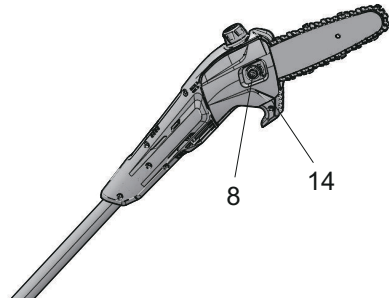
1. Desserrez et retirez le bouchon du réservoir d'huile (9).
2. Versez de l'huile dans le réservoir d'huile (13).
3. Surveillez l'indicateur d'huile (12) pour vous assurer qu'il n'y a pas de saleté dans le réservoir d'huile pendant que vous ajoutez l'huile.
4. Placez le capuchon d'huile.
5. Serrez le capuchon d'huile.
6. La durée de vie du réservoir d'huile est d'environ 20 à 40 minutes.

i IMPORTANT

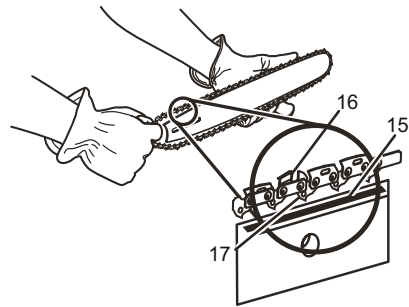
N'utilisez pas une huile sale, usagée ou contaminée. Le guide ou la chaîne peut être endommagé.

7.3 ASSEMBLAGE DU GUIDE-CHAÎNE ET DE LA CHÂÎNE

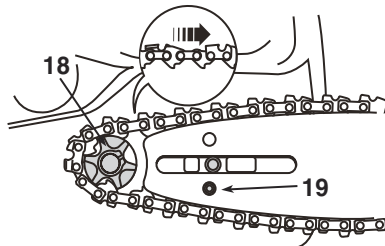
1. Dévissez le couvre-chaîne en tournant l'écrou de la barre (8) dans le sens contraire des aiguilles d'une montre.
2. Retirez le couvre-chaîne (14).



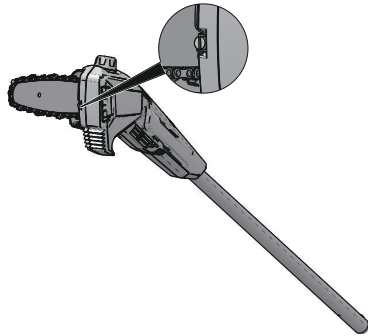
3. Placez les maillons d'entraînement de la chaîne (17) dans la rainure du guide-chaîne (15).
4. Placez les dents de la chaîne (16) dans le sens de la marche de la chaîne.
5. Mettez la chaîne en place et assurez-vous que la boucle est derrière le guide-chaîne.



6. Maintenez la chaîne en place et le guide-chaîne.
7. Placez la boucle de la chaîne autour du pignon (18).
8. Assurez-vous que le trou de la goupille de tension (19) de la chaîne sur le guide-chaîne s'ajuste correctement avec le boulon.



9. Installez le couvre-chaîne.
10. Serrez la chaîne. Reportez-vous à la section *Réglage de la tension de la chaîne*.



11. Serrez l'écrou de la barre lorsque la chaîne est bien tendue.

i REMARQUE

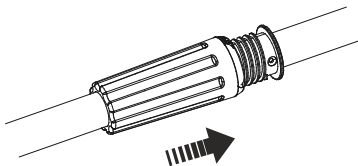
Si vous démarrez la tronçonneuse avec une nouvelle chaîne, faites un test pendant 2-3 minutes. Les chaînes neuves ont tendance à s'étirer après la première utilisation. Vérifiez fréquemment la tension de la chaîne et ajustez-la au besoin.

7.4 MONTEZ LA SCIE À LONG MANCHE



1. Installez la tête de la scie à long manche sur la poignée de la scie à long manche pour obtenir la longueur standard.
2. Faites glisser le collier vers le haut.
3. Tournez le collier dans le sens des aiguilles d'une montre pour le serrer.

7.5 EXTENSION DE LA SCIE À LONG MANCHE



1. Installez la rallonge entre la poignée de la scie à long manche et la tête de la scie à long manche pour obtenir la longueur maximale.
2. Faites glisser les colliers vers le haut.
3. Tournez les colliers dans le sens des aiguilles d'une montre pour les serrer.

▲ AVERTISSEMENT

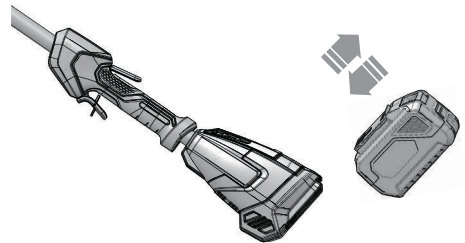
Vérifiez périodiquement le serrage de la connexion des colliers.

7.6 PRÉPARATION DE LA COUPE

Avant de commencer à couper, assurez-vous de ce qui suit

- Portez des gants résistants pour assurer une prise et une protection maximales.
- Maintenez une bonne prise sur la machine pendant le fonctionnement.
 - Utilisez votre poignée droite sur la poignée arrière et votre poignée gauche sur le manche du bâton.
 - Gardez votre corps à gauche de la ligne de chaîne.
 - N'utilisez jamais une prise gauchère (mains inversées) ou une position qui place le bras ou le corps en travers de la ligne de chaîne.
- Ne vous tenez jamais directement sous la branche d'arbre que vous coupez.
- Vérifiez périodiquement le serrage des colliers pendant le fonctionnement.

7.7 INSTALLEZ LA BATTERIE



▲ AVERTISSEMENT

- Si la batterie ou le chargeur est endommagé, remplacez-le, au besoin.
- Arrêtez la machine et attendez que le moteur s'arrête avant d'installer ou de retirer la batterie.
- Lisez et comprenez les instructions du manuel de la batterie et du chargeur.

1. Alignez les languettes de la batterie avec les rainures du compartiment de batterie.
2. Poussez la batterie dans le compartiment de batterie jusqu'à ce qu'elle soit bien encliquetée.
3. Vous devriez entendre un clic lorsque la batterie sera insérée correctement.

7.8 RETIREZ LE BLOC-BATTERIE

1. Poussez et maintenez enfoncé le bouton de déblocage de la batterie.
2. Retirez le bloc-batterie de la machine.

8 UTILISATION

i REMARQUE

Retirez la batterie et éloignez les mains du bouton de verrouillage lorsque vous déplacez la machine.

i IMPORTANT

Examinez la tension de la chaîne avant chaque utilisation.

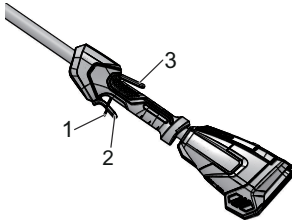
8.1 EXAMINER LA LUBRIFICATION DE LA CHAÎNE

i REMARQUE

N'utilisez pas la machine sans quantité suffisante de lubrifiant de chaîne.

1. Vérifiez le niveau de lubrifiant de la machine à partir de l'indicateur d'huile.
2. Ajoutez le lubrifiant au besoin.

8.2 DÉMARRER LA MACHINE



1. Installez la batterie dans la machine.
2. Appuyez sur la palette supérieure (3).
3. Tirez le bouton de verrouillage de sécurité (1) vers le haut avec votre pouce.
4. Appuyez sur la gâchette (2).

8.3 ARRÊTER LA MACHINE

1. Lâchez la gâchette pour arrêter la machine.

8.4 ÉBRANCHAGE D'UN ARBRE



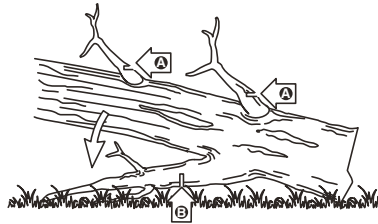
▲ AVERTISSEMENT

Assurez-vous qu'il n'y a rien ou que personne ne se trouve dans la zone où les branches tombent.

- Tenez-vous du côté opposé à la branche que vous allez couper.
- Commencez à couper les branches les plus hautes.
- Puis coupez les branches inférieures.
- Coupez vers le bas pour éviter le blocage du guide.

8.5 BRANCHES D'ARBRES

L'ébranchage consiste à enlever les branches d'un arbre tombé.



1. Laissez les grosses branches inférieures qui soutiennent l'arbre afin que ce dernier ne soit pas directement au sol pendant la coupe.
2. Coupez les petites branches en une seule coupe.
3. Coupez les branches sous tension à partir du bas.
4. Gardez les grosses branches inférieures comme support jusqu'à ce que la bûche soit ébranchée.

9 ENTRETIEN

▲ ATTENTION

Évitez que les liquides de freins, l'essence et les matériaux à base de pétrole ne viennent en contact avec les pièces en plastique. Les produits chimiques peuvent endommager le plastique et le rendre inutilisable.

▲ ATTENTION

N'utilisez pas de solvants ou de détergents puissants sur le boîtier ou les composants en plastique.

▲ AVERTISSEMENT

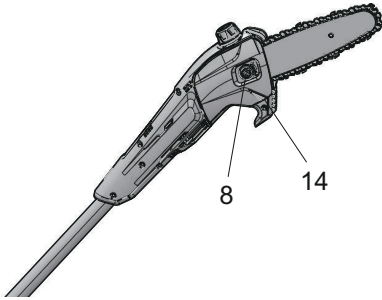
Retirez la batterie de la machine avant l'entretien.

9.1 RÉGLEZ LA TENSION DE LA CHAÎNE

▲ ATTENTION

Portez des gants de protection si vous touchez la chaîne, le guide-chaîne ou les zones autour de la chaîne.

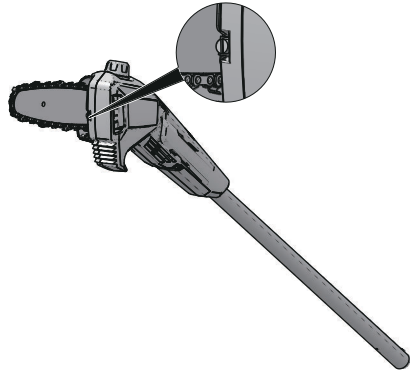
1. Dévissez le couvre-chaîne en tournant l'écrou de la barre dans le sens contraire des aiguilles d'une montre.



i REMARQUE

Il n'est pas nécessaire d'enlever le couvre-chaîne pour régler la tension de la chaîne.

2. Tournez la vis de tension de la chaîne derrière le guide-chaîne et la chaîne dans le sens des aiguilles d'une montre pour augmenter la tension de la chaîne.
3. Tournez la vis de tension de la chaîne dans le sens des aiguilles d'une montre pour réduire la tension de la chaîne.



4. Lorsque la chaîne est à la tension voulue, serrez le couvre-chaîne.

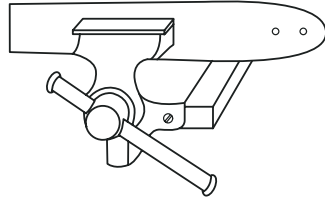
9.2 AFFÛTER LES DENTS

Affûtez les couteaux si la chaîne ne s'enfonce pas facilement dans le bois.

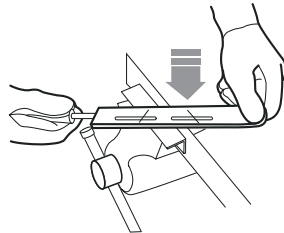
i REMARQUE

Nous recommandons un centre de service qui dispose de l'affûteuse électrique et qui effectue les travaux d'affûtage importants.

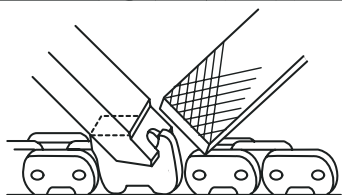
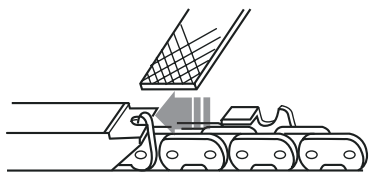
1. Réglage de la tension de la chaîne.



2. Utilisez une lime ronde de 5/32" (4 mm) de diamètre pour affûter les coins coupants.



3. Affûtez la plaque supérieure, la plaque latérale et la jauge de profondeur avec une lime plate.



4. Limez tous les couteaux aux angles spécifiés et à la même longueur.

i REMARQUE

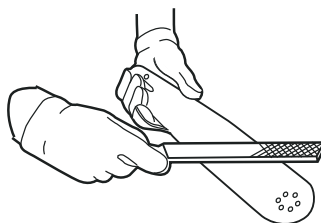
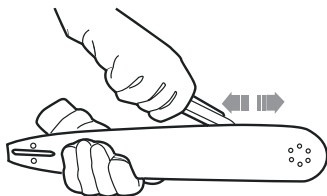
Pendant le processus,

- Maintenez la lime à plat avec la surface à affûter.
- Utilisez le point médian de la barre de fichier.
- Utilisez une pression légère mais ferme pour affûter la surface.
- Soulevez la lime à chaque coup de retour.
- Affûtez les couteaux d'un côté, puis passez de l'autre côté.

Remplacez la chaîne si :

- La longueur des bords tranchants est inférieure à 5 mm (1/5").
- Il y a trop d'espace entre les maillons d'entraînement et les rivets.
- La vitesse de coupage est lente
- Vous affûtez la chaîne plusieurs fois, mais cela n'augmente pas la vitesse de coupe. La chaîne est usée.

9.3 ENTRETIEN DU GUIDE-CHAÎNE



i REMARQUE

Veillez à ce qu'il soit retourné périodiquement pour maintenir une usure symétrique du guide.

1. Lubrifiez les roulements du pignon de renvoi (si présent) avec une seringue (non fournie).
2. Nettoyez la rainure du guide à l'aide d'un crochet racleur (non fourni).
3. Nettoyez les trous de lubrification.
4. Enlevez les bavures sur les bords et nivelez les dents avec une lime plate.

Remplacez le guide si :

- la rainure n'est pas adaptée à la hauteur des maillons de la chaîne (qui ne doivent jamais toucher le fond).
- l'intérieur du guide-chaîne est usé et fait pencher la chaîne d'un côté.

10 TRANSPORT ET ENTREPOSAGE

Avant de déplacer la machine, il faut toujours faire ce qui suit

- Retirez le bloc-batterie de la machine.
- Gardez les mains éloignées du bouton de verrouillage.
- Placez le fourreau sur le guide-chaîne et la chaîne.

Avant de ranger la machine dans l'entreposage, il faut toujours faire ce qui suit

- Retirez toute l'huile résiduelle de la machine.
- Retirez le bloc-batterie de la machine.
- Nettoyez la machine de toute matière indésirable.
- Assurez-vous que le lieu d'entreposage
 - n'est pas accessible aux enfants.
 - est loin des agents qui peuvent causer de la corrosion, tels que les produits chimiques de jardin et les sels de déglacage.

11 DÉPANNAGE

Problème	Cause possible	Solution
La machine ne démarre pas.	Les manches ne sont pas correctement assemblées.	Assemblez les manches selon les instructions.
	Le bouton de verrouillage et la gâchette ne sont pas enfoncés en même temps.	<ol style="list-style-type: none"> Appuyez sur le bouton de verrouillage et maintenez-le enfoncé. Pendant que vous appuyez sur le bouton de verrouillage, tirez la gâchette. Relâchez le bouton de verrouillage pour démarrer la machine.
Le guide et la chaîne s'échauffent et émettent de la fumée.	Le réservoir d'huile est vide.	Remplissez le réservoir d'huile.
	L'orifice de vidange est bloqué.	<ol style="list-style-type: none"> Retirez le bloc-batterie. Enlevez la saleté de l'orifice de vidange.
	L'ouverture d'entrée du réservoir d'huile intérieur est bloquée.	<ol style="list-style-type: none"> Nettoyez le réservoir d'huile. Versez du lubrifiant propre du guide et de la chaîne.
	Le pignon est coincé et obstrué par des débris.	<ol style="list-style-type: none"> Nettoyez le pignon. Versez du lubrifiant propre du guide et de la chaîne.
Le guide et la chaîne se réchauffent excessivement et ne peuvent plus couper.	La tension de la chaîne est trop serrée ou trop lâche.	Reportez-vous à la section Réglage de la tension de la chaîne dans le manuel.
	La chaîne est émoussée	Affûtez ou remplacez la chaîne.
	La chaîne est montée à l'envers.	Retirez la chaîne et tournez-la dans la bonne direction.

Problème	Cause possible	Solution
Le moteur tourne, mais la chaîne ne coupe pas correctement, ou le moteur s'arrête après environ 3 secondes.	Lorsque vous utilisez la machine sous charge, elle s'arrête.	<ol style="list-style-type: none"> Relâchez la gâchette. Redémarrez la machine.
	La chaîne n'est pas lubrifiée.	Lubrifiez la chaîne pour diminuer la friction.

12 DONNÉES TECHNIQUES

Voltage	48V DC
Longueur du guide-chaîne	200 mm
Pas de chaîne	3/8" LP (9.5 mm)
Jauge de chaîne	.050" (1.3 mm)
Capacité d'huile de chaîne	80 ml
Poids (sans batterie)	8.2 lbs (3.7 kg)
Chaîne	91PJ033X/CL15033X
Guide-chaîne	080NDEA318/M1500833-1318TL
Batterie (modèle)	BAM706 et autres séries BAM
Chargeur (modèle)	CAM803 et autres séries CAM

La plage de température ambiante recommandée :

Article	Température
Plage de température d'entreposage de l'appareil	32°F (0°C) - 113°F (45°C)
Plage de température de fonctionnement de l'appareil	32°F (0°C) - 113°F (45°C)
Plage de température de rechargement de la batterie	39°F (4°C) - 104°F (40°C)
Plage de température de fonctionnement du chargeur	39°F (4°C) - 104°F (40°C)
Plage de température d'entreposage de la batterie	32°F (0°C) - 113°F (45°C)
Plage de température de déchargement de la batterie	32°F (0°C) - 113°F (45°C)

13 GARANTIE LIMITÉE

FR



Greenworks garantit par la présente ce produit, à l'acheteur original avec preuve d'achat, pour une période de trois (3) ans contre tout défaut de matériaux, de pièces ou de main-d'œuvre. Greenworks, à sa propre discrétion, réparera ou remplacera toutes les pièces défectueuses, dans des conditions normales d'utilisation, sans frais pour le client. Cette garantie n'est valable que pour les appareils qui ont été utilisés à des fins personnelles, qui n'ont pas été loués à des fins industrielles ou commerciales et qui ont été entretenus conformément aux instructions du manuel du propriétaire fourni avec le produit neuf.

ARTICLES NON COUVERTS PAR LA GARANTIE :

1. Toute pièce qui est devenue inopérante en raison d'une mauvaise utilisation, d'une utilisation commerciale, d'un abus, d'une négligence, d'un accident, d'un entretien inapproprié ou d'une modification ; ou
2. L'appareil, s'il n'a pas été utilisé et/ou entretenu conformément au manuel du propriétaire ; ou
3. Usure normale, sauf comme indiqué ci-dessous ;
4. Articles d'entretien courant tels que lubrifiants, affûtage des lames ;
5. Détérioration normale du fini extérieur due à l'utilisation ou à l'exposition.

ASSISTANCE TÉLÉPHONIQUE :

Le service de garantie est disponible en appelant notre ligne d'assistance téléphonique sans frais, au 1-855-470-4267.

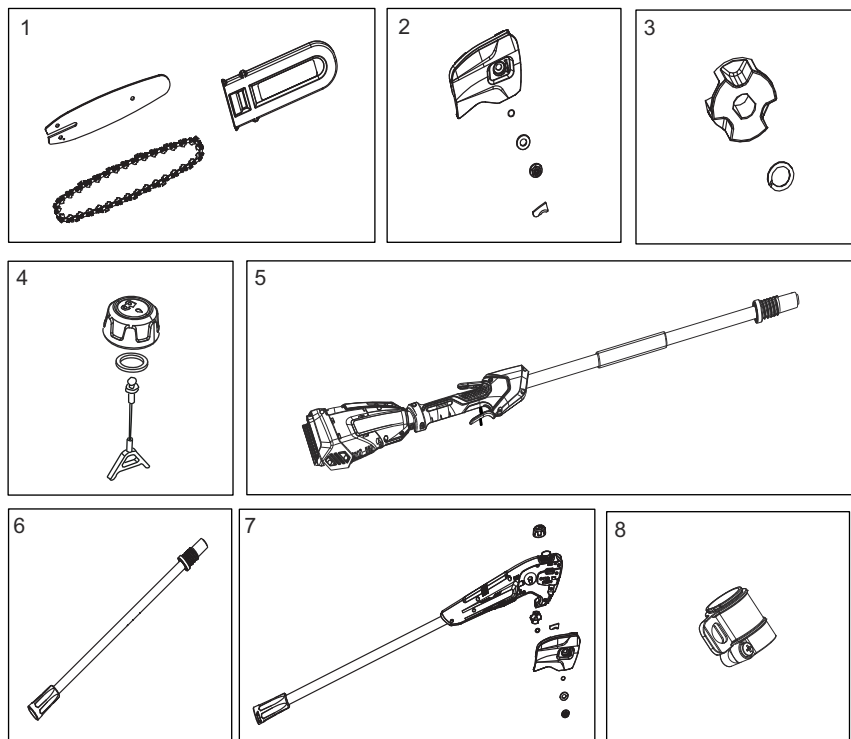
FRAIS DE TRANSPORT :

Les frais de transport pour le déplacement de tout équipement motorisé ou accessoire sont à la charge de l'acheteur. Il incombe à l'acheteur de payer les frais de transport pour toute pièce retournée pour remplacement en vertu de la présente garantie, à moins qu'un tel retour soit demandé par écrit par Greenworks.

Adresse aux États-Unis : Adresse au Canada :

Greenworks Tools	Greenworks Tools Canada Inc.
P.O. Box 1238	P.O. Box 93095, Newmarket, Ontario
Mooresville, NC 28115	L3Y 8K3

14 VUE ÉCLATÉE



No	No de pièce	Qté	Description	No	No de pièce	Qté	Description
1	R0201082-00	1	Guide-chaîne / Chaîne / Fourreau	5	R0201102-00	1	Ensemble du poteau arrière
2	R0200052-00	1	Ensemble du couvercle du pignon	6	R0201103-00	1	Poteau intermédiaire
3	R0200049-00	1	Ensemble pignon	7	R0201104-00	1	Ensemble de tête de la scie à long manche
4	R0200056-00	1	Ensemble du capuchon d'huile	8	RB34108836V1	1	Boucle de harnais

1	Descripción.....	29	7.5	Extensión de la sierra telescópica.....	34
1.1	Finalidad.....	29	7.6	Preparativos de corte.....	34
1.2	Perspectiva general.....	29	7.7	Instalación de la batería.....	34
2	Advertencias generales de seguridad para herramientas eléctricas.....	29	7.8	Retirada de la batería.....	34
2.1	Normas generales de seguridad.....	29	8	Funcionamiento.....	35
2.2	Seguridad infantil.....	31	8.1	Examen del aceite de la cadena.....	35
3	Símbolos en el producto.....	31	8.2	Puesta en marcha de la máquina.....	35
4	Niveles de riesgo.....	31	8.3	Detención de la máquina.....	35
5	Eliminación de batería segura para el medio ambiente.....	31	8.4	Corte de ramas de un árbol.....	35
6	Propuesta 65.....	32	8.5	Desramado de un árbol.....	35
7	Instalación.....	32	9	Mantenimiento.....	35
7.1	Desembalaje de la máquina.....	32	9.1	Ajuste de la tensión de la cadena.....	36
7.2	Adición del aceite para barras y cadenas.....	32	9.2	Afilado de los cortadores.....	36
7.3	Montaje de la barra de guía y la cadena.....	33	9.3	Mantenimiento de la barra de guía.....	37
7.4	Instalación de la sierra telescópica.....	34	10	Transporte y almacenamiento.....	37
			11	Solución de problemas.....	38
			12	Datos técnicos.....	38
			13	Garantía limitada.....	39
			14	Vista despiezada.....	40

1 DESCRIPCIÓN

1.1 FINALIDAD

Este producto es un instrumento de corte montado en un tubo para permitir al operario cortar las ramas de árboles en pie. No se ha diseñado para ser utilizado como una motosierra normal.

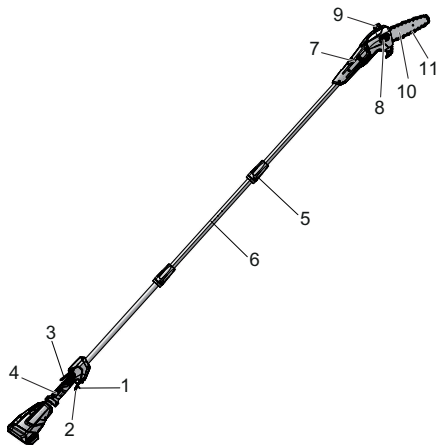
Este aparato no debe ser utilizado por personas con capacidades de compresión reducidas, o que no tengan experiencia ni conocimientos, a menos que hayan recibido supervisión o instrucción sobre el uso del aparato por una persona responsable de su seguridad.

Nunca permita que los niños utilicen este producto.

Nunca permita que utilicen este equipo adultos sin la debida instrucción.

Supervise siempre a los niños para asegurarse de que no juegan con el aparato.

1.2 PERSPECTIVA GENERAL



- | | |
|-----------------------------|---------------------------------|
| 1 Botón de desbloqueo | 7 Cabezal de sierra telescópica |
| 2 Gatillo | 8 Tuerca de la barra |
| 3 Paleta superior | 9 Tapa del depósito de aceite |
| 4 Asa de sierra telescópica | 10 Barra |
| 5 Collarín | 11 Cadena |
| 6 Tubo de extensión | |

2 ADVERTENCIAS GENERALES DE SEGURIDAD PARA

HERRAMIENTAS ELÉCTRICAS

▲ AVISO

No utilice cerca de líneas de alimentación eléctrica. La unidad no se ha diseñado para ofrecer protección contra descargas eléctricas en caso de contacto con el tendido de líneas eléctricas. Consulte los reglamentos locales para conocer las distancias seguras de los tendidos de líneas eléctricas y asegúrese de que la posición de funcionamiento sea segura antes de utilizar la podadora telescópica con cadena de sierra.

▲ AVISO

Lea todas las advertencias de seguridad y todas las instrucciones. El incumplimiento de las advertencias e instrucciones puede provocar descargas eléctricas, incendios o lesiones graves.

Guarde todas las advertencias e instrucciones para su consulta posterior.

El término “herramienta eléctrica” empleado en las advertencias se refiere a su herramienta eléctrica con funcionamiento a batería (inalámbrica).

2.1 NORMAS GENERALES DE SEGURIDAD

- Evite los entornos peligrosos – No utilice los aparatos en lugares húmedos o mojados.
- No utilice bajo la lluvia.
- Mantenga alejados a los niños – Todos los visitantes deben mantenerse a una distancia segura de la zona de trabajo.
- Lleve indumentaria adecuada – No lleve ropa o joyas sueltas. Pueden quedar atrapadas en las piezas móviles. Se recomienda el uso de guantes de goma y calzado resistente cuando se trabaje en el exterior. Lleve una protección capilar para sujetar el cabello largo.
- Lleve gafas de seguridad – Utilice siempre una máscara facial o antipolvo si se levanta polvo durante el funcionamiento.
- Utilice el aparato adecuado – No utilice el aparato para trabajos distintos del previsto.
- Evite la puesta en marcha accidental – No transporte un aparato enchufado con el dedo sobre el interruptor. Asegúrese de que el interruptor esté desactivado al enchufar. El transporte del aparato con el dedo en el interruptor o la conexión del aparato que tiene el interruptor activado fomenta los accidentes.
- No agarre las cuchillas de corte expuestas o los filos de corte cuando levante o sujete el aparato. (Solo para tijeras para hierba y aparatos similares).
- No fuerce el aparato – Hará el trabajo mejor y con menos probabilidades de sufrir lesiones a la velocidad para la que se diseñó.

- No se estire – Mantenga en todo momento una postura adecuada y el equilibrio.
- Manténgase alerta – Observe lo que está haciendo en todo momento. Utilice el sentido común. No utilice el aparato cuando esté cansado.
- Desconexión del aparato – Desconecte el aparato de la fuente de alimentación cuando no esté en uso, antes de realizar tareas de servicio, cuando cambie accesorios, como cuchillas, y similar.
- Almacene los aparatos en interior – Cuando no estén en uso, los aparatos deben almacenarse en interiores, en un lugar seco y alto o cerrado, fuera del alcance de los niños.
- Cuide el mantenimiento del aparato – Mantenga el filo afilado y limpio para un mejor rendimiento y para reducir el riesgo de lesiones. Siga las instrucciones para la lubricación y el cambio de accesorios. Inspeccione periódicamente el cable del aparato, y si está dañado, haga que lo repare un centro de servicio técnico autorizado. Inspeccione periódicamente los cables alargadores y sustitúyalos si están dañados. Mantenga las asas secas, limpias y sin restos de aceite y grasa.
- Compruebe las piezas dañadas – Antes de seguir utilizando el aparato, una protección u otra pieza dañada debe comprobarse detenidamente para determinar si funcionará correctamente y cumplirá su función prevista. Compruebe la alineación de las piezas móviles, la unión de las piezas móviles, la rotura de piezas, el montaje y cualquier otra condición que pueda afectar a su funcionamiento. Una protección u otra pieza que esté dañada debe ser reparada o sustituida debidamente por un centro de servicio autorizado, a menos que se indique lo contrario en este manual.
- Mantenga todas las partes del cuerpo alejadas de la cadena de la sierra. No retire el material cortado ni sujete el material a cortar cuando las cuchillas se estén moviendo. Asegúrese de que el interruptor esté desactivado al eliminar el material atascado. La cadena de la sierra continúa moviéndose después de desactivar el interruptor. Un momento de inatención durante el uso de la sierra telescópica puede provocar lesiones personales graves.
- Lleve la sierra telescópica por el asa con la cadena de la sierra detenida. Cuando transporte o almacene la telescópica, coloque siempre la cubierta del dispositivo de la cadena de la sierra. El manejo adecuado de la sierra telescópica reducirá las posibles lesiones personales producidas por la cadena de la sierra.
- Sujete la sierra telescópica solo por las superficies de agarre aisladas, ya que la cadena de la sierra puede entrar en contacto con cableado oculto o con su propio cable. Si la cadena de la sierra entra en contacto con un cable "con corriente", esto puede hacer que las piezas metálicas expuestas de la sierra telescópica "tengan corriente" y podrían producir una descarga eléctrica al operario.
- Mantenga el cable alejado de la zona de corte. Durante el funcionamiento, el cable puede estar oculto entre los arbustos y ser cortado accidentalmente por la cadena de la sierra.
- Evite utilizar la sierra telescópica con mal tiempo, especialmente cuando existe un riesgo de rayos. Esto disminuye el riesgo de ser alcanzado por un rayo.
- Para reducir el riesgo de electrocución, no utilice cerca de líneas eléctricas. El contacto con o el uso cerca de líneas eléctricas puede producir lesiones graves o descargas eléctricas que pueden provocar la muerte.
- Utilice siempre las dos manos cuando maneje la sierra telescópica. Sujete la sierra telescópica con ambas manos para evitar perder el control.
- Utilice siempre protección para la cabeza cuando maneje la sierra telescópica en altura. La caída de objetos puede producir lesiones personales graves.
- Evite el arranque accidental. Asegúrese de que el interruptor de alimentación esté en la posición de apagado antes de conectar a la batería y al coger o transportar el aparato. El transporte del aparato con el dedo en el interruptor de alimentación o la conexión de un aparato que tiene el interruptor de alimentación activado fomenta los accidentes.
- Asegúrese de que el interruptor de alimentación esté apagado y que la batería se haya retirado antes de quitar el material atascado, realizar ajustes, cambiar accesorios, almacenar o realizar reparaciones en el aparato. La puesta en marcha inesperada del aparato mientras se quita el material atascado o se realizan reparaciones puede provocar lesiones personales graves.
- Recargue solo con el cargador especificado por el fabricante. Un cargador adecuado para un tipo de batería puede dar lugar a un riesgo de incendio cuando se usa con otra batería.
- Utilice los aparatos únicamente con las baterías designadas específicamente. El uso de cualquier otra batería puede dar lugar a un riesgo de lesiones e incendio.
- Cuando la batería no esté en uso, manténgala alejada de otros objetos metálicos como clips, monedas, llaves, clavos, tornillos u otros objetos metálicos pequeños que puedan hacer una conexión entre los terminales. El cortocircuito de los terminales de la batería puede provocar quemaduras o un incendio.
- Bajo condiciones abusivas, es posible que salga líquido despedido de la batería; evite el contacto. Si se produce un contacto accidental, aclare con agua. Si el líquido entra en contacto con los ojos, acuda también al médico. El líquido despedido de la batería puede provocar irritación o quemaduras.
- No utilice una batería o un aparato que haya sufrido daños o modificaciones. Las baterías dañadas o modificadas pueden exhibir un comportamiento impredecible que puede dar lugar a un incendio, una explosión o un riesgo de lesiones.
- No exponga una batería o un aparato al fuego ni a temperaturas excesivas. La exposición al fuego o a una temperatura superior a 130°C puede provocar una explosión. La temperatura de 130°C puede sustituirse por la temperatura de 265°F.
- Siga todas las instrucciones de carga y no cargue la batería o el aparato fuera del intervalo de temperatura

especificado en las instrucciones. La carga incorrecta o a temperaturas fuera del intervalo especificado puede dañar la batería y aumentar el riesgo de incendio.

- Solicite a un técnico de reparación cualificado que realice las tareas de servicio utilizando únicamente piezas de repuesto idénticas. Esto garantizará el mantenimiento de la seguridad del producto.
- No modifique ni intente reparar el aparato o la batería (según corresponda), excepto lo indicado en las instrucciones de uso y cuidado.

2.2 SEGURIDAD INFANTIL

Pueden producirse accidentes trágicos si el operario no es consciente de la presencia de niños.

- Mantenga a los niños fuera de la zona de trabajo y bajo la vigilancia de un adulto responsable.
- No permita que niños menores de 14 años utilicen esta máquina. Los niños de 14 años y mayores deben leer y entender las instrucciones de funcionamiento y las normas de seguridad que se encuentran en este manual y deben recibir formación y supervisión por parte de uno de sus progenitores.
- Manténgase alerta y apague la máquina si un niño o cualquier otra persona entra en la zona de trabajo.
- Tenga mucho cuidado al acercarse a esquinas ciegas, portales, arbustos, árboles u otros objetos que puedan ocultar su visión de un niño que pueda correr hacia el recorrido de la máquina.

3 SÍMBOLOS EN EL PRODUCTO

En el producto pueden utilizarse algunos de los siguientes símbolos. Le rogamos que los estudie y aprenda su significado. La interpretación correcta de estos símbolos le permitirá manejar el producto mejor y de manera más segura.

Símbolo	Explicación
	Tipo de corriente directa o característica de corriente.
	Precauciones que afectan a su seguridad.
	Debe leer y entender todas las instrucciones antes de manejar el producto, así como seguir todas las advertencias e instrucciones de seguridad.
	Lleve protección ocular.
	No exponga el producto a la lluvia o a condiciones de humedad.
	Lleve protección auditiva.

Símbolo	Explicación
	Lleve protección en la cabeza.
	Lleve calzado de seguridad.
	Lleve guantes antideslizantes resistentes.
	¡PELIGRO! ¡Riesgo de electrocución!

4 NIVELES DE RIESGO

Las siguientes indicaciones y significados tienen como fin explicar los niveles de riesgo asociados a este producto.

SÍMBOLO	INDICACIÓN	SIGNIFICADO
	PELIGRO	Indica una situación de peligro inminente que, de no evitarse, provocará lesiones graves o incluso la muerte.
	ADVERTENCIA	Indica una situación de peligro potencial que, de no evitarse, podría provocar lesiones graves o incluso la muerte.
	PRECAUCIÓN	Indica una situación de peligro potencial que, de no evitarse, puede provocar lesiones leves o moderadas.
	PRECAUCIÓN	(Sin símbolo de alerta sobre seguridad) Indica una situación que puede provocar daños materiales.

5 ELIMINACIÓN DE BATERÍA SEGURA PARA EL MEDIO AMBIENTE



Los materiales tóxicos y corrosivos que figuran a continuación se encuentran en las baterías utilizadas en esta máquina: **Ion de litio, un material tóxico.**

▲ AVISO

Deseche todos los materiales tóxicos de una manera especificada para evitar la contaminación del medio ambiente. Antes de desechar una batería de ion de litio dañada o agotada, contacte con la agencia local de eliminación de residuos o con la agencia de protección ambiental local para obtener información e instrucciones específicas. Lleve las baterías a un centro de reciclaje o eliminación local, certificado para la eliminación de ion de litio.

▲ AVISO

Si la batería se agrieta o se rompe, con o sin fugas, no la recargue ni la utilice. Deséchela y sustitúyala por una batería nueva. ¡NO INTENTE REPARARLA! Para evitar lesiones y riesgos de incendio, explosión o descarga eléctrica, y para evitar daños al medio ambiente:

- Cubra los terminales de la batería con cinta adhesiva resistente.
- NO intente retirar o destruir ninguno de los componentes de la batería.
- NO intente abrir la batería.
- Si se produce una fuga, los electrolitos liberados son corrosivos y tóxicos. NO deje que la solución entre en contacto con los ojos o la piel, y no la ingiera.
- NO deseche estas baterías con la basura doméstica normal.
- NO incinere.
- NO lleve las baterías a lugares donde formarán parte de vertederos de residuos o flujos de residuos sólidos urbanos.
- Llévelas a un centro de reciclaje o eliminación certificado.

6 PROPUESTA 65**▲ AVISO**

Este producto contiene una sustancia química conocida en el estado de California como causante de cáncer, defectos de nacimiento u otros daños reproductivos. El polvo generado por el lijado eléctrico, el serrado, el esmerilado, la perforación y otras actividades de construcción contiene sustancias químicas que se sabe que son causantes de cáncer, defectos de nacimiento u otros daños reproductivos. Algunos ejemplos de estas sustancias químicas son:

- Plomo de pinturas con base de plomo;
- Sílice cristalina de ladrillos y cemento y otros productos de albañilería;
- Arsénico y cromo de la madera tratada químicamente.

El riesgo de exposición a estas sustancias químicas varía según la frecuencia con la que realice este tipo de trabajo. Para reducir su exposición a estas sustancias químicas, trabaje en una zona bien ventilada y trabaje con equipos de seguridad aprobados, como máscaras antipolvo, que estén especialmente diseñadas para filtrar partículas microscópicas.

Conserve estas instrucciones.

7 INSTALACIÓN**7.1 DESEMBALAJE DE LA MÁQUINA****▲ AVISO**

Asegúrese de montar correctamente la máquina antes del uso.

▲ AVISO

- Si las piezas de la máquina presentan daños, no utilice la máquina.
- Si no tiene todas las piezas, no utilice la máquina.
- Si faltan piezas o hay piezas dañadas, contacte con el centro de servicio.

1. Abra el embalaje.
2. Lea la documentación que se encuentra en la caja.
3. Retire todas las piezas sin montar de la caja.
4. Retire la máquina de la caja.
5. Deseche la caja y el embalaje de conformidad con los reglamentos locales.

7.2 ADICIÓN DEL ACEITE PARA BARRAS Y CADENAS

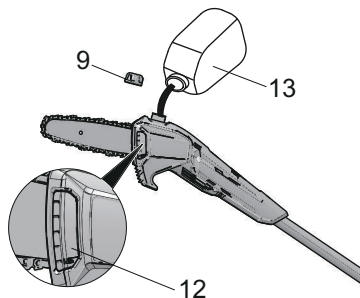
Examine la cantidad de aceite que hay en la máquina. Si el nivel de aceite es bajo, añada el aceite para barras y cadenas de la siguiente manera.

i IMPORTANTE

Utilice un aceite para barras y cadenas que sea solo para cadenas y engrasadores de cadenas.

i NOTA

La máquina viene de fábrica sin aceite para barras y cadenas.



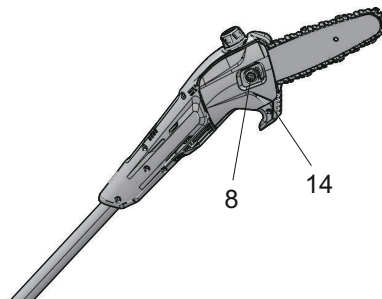
1. Afloje y retire la tapa del depósito de aceite (9).
2. Ponga el aceite (13) en el depósito de aceite.
3. Supervise el indicador de aceite (12) para asegurarse de que no haya suciedad en el depósito mientras añade el aceite.
4. Ponga la tapa del aceite.
5. Apriete la tapa del aceite.
6. El depósito de aceite entero durará aproximadamente 20-40 minutos.

i IMPORTANTE

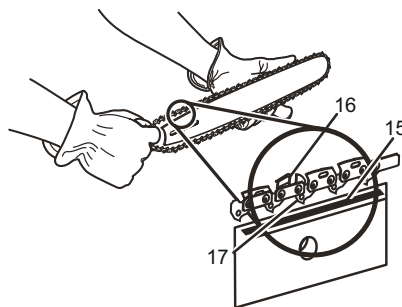
No utilice aceite sucio, usado o contaminado. Pueden producirse daños en la barra o la cadena.

7.3 MONTAJE DE LA BARRA DE GUÍA Y LA CADENA

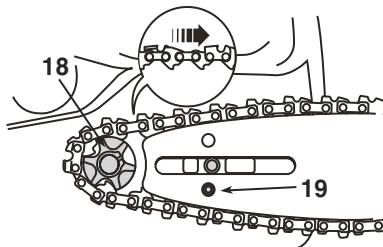
1. Afloje la cubierta de la cadena girando la tuerca de la barra (8) en sentido antihorario.
2. Retire la cubierta de la cadena (14).



3. Introduzca los eslabones de accionamiento de la cadena (17) en la ranura de la barra (15).
4. Ponga los cortadores de la cadena (16) en la dirección de funcionamiento de la cadena.
5. Coloque la cadena en su posición y asegúrese de que el bucle esté detrás de la barra de guía.



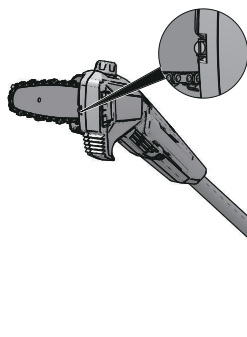
6. Sujete la cadena y la barra.
7. Ponga el bucle de cadena alrededor del piñón (18).
8. Asegúrese de que el orificio del pasador de tensado de la cadena (19) en la barra de guía encaje correctamente con el perno.



9. Instale la cubierta de la cadena.
10. Apriete la cadena. Consulte *Ajuste de la tensión de la cadena*.

▲ AVISO

Compruebe periódicamente el apriete de la conexión de los collarines.



11. Apriete la tuerca de la barra cuando la cadena esté correctamente tensada.

¡ NOTA

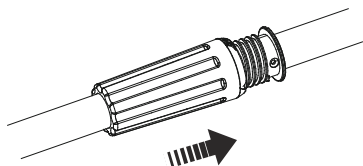
Si arranca la motosierra con una cadena nueva, haga una prueba de 2-3 minutos. Una cadena nueva se alarga después del primer uso, examine la tensión y apriete la cadena si es necesario.

7.4 INSTALACIÓN DE LA SIERRA TELESCÓPICA



1. Monte el cabezal de la sierra telescópica en el asa de la sierra telescópica para lograr la longitud estándar.
2. Deslice el collarín hacia arriba.
3. Gire el collarín en sentido horario para apretarlo.

7.5 EXTENSIÓN DE LA SIERRA TELESCÓPICA



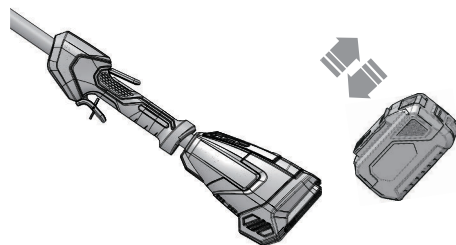
1. Instale el tubo de extensión entre el asa de la sierra telescópica y el cabezal de la sierra telescópica para lograr la longitud máxima.
2. Deslice los collarines hacia arriba.
3. Gire los collarines en sentido horario para apretarlos.

7.6 PREPARATIVOS DE CORTE

Antes de empezar a cortar, asegúrese de que

- Lleve guantes resistentes para un agarre y una protección máximos.
- Mantiene un agarre adecuado en la máquina durante el funcionamiento.
 - Agarre el asa posterior con la mano derecha, mientras que con la izquierda sujeta el eje del tubo.
 - Mantenga su cuerpo a la izquierda de la línea de la cadena.
 - Nunca utilice la mano izquierda (cruzada) o cualquier postura que coloque su cuerpo o brazo a través de la línea de la cadena.
- Nunca se coloca directamente debajo de la rama que está cortando.
- Examina periódicamente el apriete de los collarines durante el funcionamiento.

7.7 INSTALACIÓN DE LA BATERÍA



▲ AVISO

- Si la batería o el cargador ha sufrido daños, sustituya la batería o el cargador.
- Detenga la máquina y espere hasta que el motor se pare antes de instalar o retirar la batería.
- Debe leer y entender las instrucciones del manual de la batería y el cargador.

1. Alinee las nervaduras de elevación de la batería con las ranuras del compartimento de la batería.
2. Introduzca la batería en el compartimento de la batería hasta que encaje en su posición.
3. Cuando escuche un clic, la batería está instalada.

7.8 RETIRADA DE LA BATERÍA

1. Pulse y mantenga pulsado el botón de desbloqueo de la batería.
2. Retire la batería de la máquina.

8 FUNCIONAMIENTO

i NOTA

Retire la batería y mantenga las manos alejadas del botón de desbloqueo cuando mueva la máquina.

i IMPORTANTE

Examine la tensión de la cadena antes de cada uso.

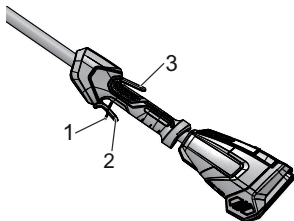
8.1 EXAMEN DEL ACEITE DE LA CADENA

i NOTA

No utilice la máquina si no tiene suficiente aceite para cadenas.

1. Examine el nivel de aceite de la máquina en el indicador de aceite.
2. Añada aceite en caso necesario.

8.2 PUESTA EN MARCHA DE LA MÁQUINA

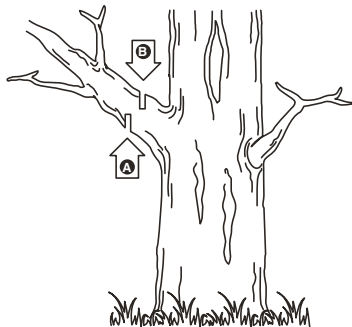


1. Instale la batería en la máquina.
2. Presione la paleta superior (3).
3. Tire del botón de desbloqueo (1) hacia arriba con el pulgar.
4. Apriete el gatillo (2).

8.3 DETENCIÓN DE LA MÁQUINA

1. Suelte el gatillo para detener la máquina.

8.4 CORTE DE RAMAS DE UN ÁRBOL



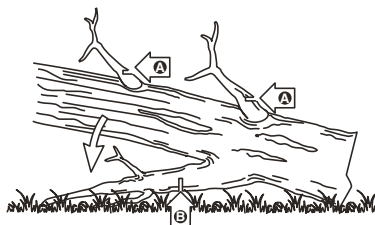
▲ AVISO

Asegúrese de que no haya nada ni nadie en la zona donde caen las ramas.

- Colóquese enfrente de la rama que va a cortar.
- Empiece a cortar las ramas más altas.
- Posteriormente, corte las ramas más bajas.
- Corte hacia abajo para evitar que la barra se atasque.

8.5 DESRAMADO DE UN ÁRBOL

Desramar es quitar las ramas de un árbol caído.



1. Conserve las ramas inferiores más grandes para mantener el tronco levantado del suelo.
2. Retire las ramas pequeñas de un corte.
3. Corte las ramas con tensión de abajo hacia arriba.
4. Conserve las ramas inferiores más grandes como soporte hasta que haya desramado el resto del tronco.

9 MANTENIMIENTO

▲ PRECAUCIÓN

No permita que líquidos de frenos, gasolina y otros derivados del petróleo toquen las piezas de plástico. Las sustancias químicas pueden dañar el plástico y hacer que quede inservible.

▲ PRECAUCIÓN

No utilice disolventes o detergentes fuertes en la carcasa o los componentes de plástico.

▲ AVISO

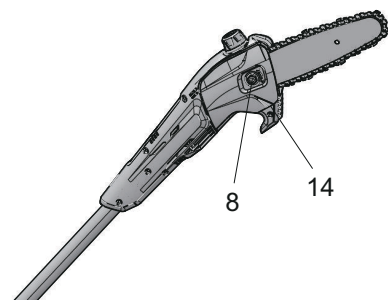
Retire la batería de la máquina antes de realizar tareas de mantenimiento.

9.1 AJUSTE DE LA TENSIÓN DE LA CADENA

▲ PRECAUCIÓN

Lleve guantes de protección si toca la cadena, la barra o las zonas alrededor de la cadena.

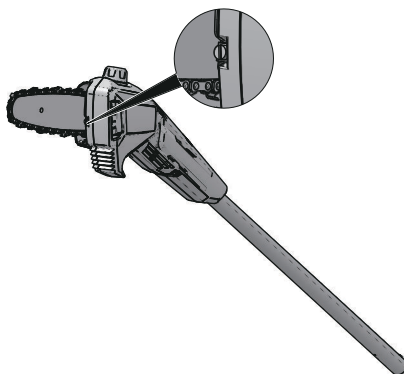
1. Afloje la cubierta de la cadena girando la tuerca de la barra en sentido antihorario.



i NOTA

No es necesario retirar la cubierta de la cadena para ajustar la tensión de la cadena.

2. Gire el tornillo de tensión de la cadena detrás de la barra y la cadena en sentido horario para aumentar la tensión de la cadena.
3. Gire el tornillo de tensión de la cadena en sentido antihorario para disminuir la tensión de la cadena.



4. Cuando la cadena tenga la tensión deseada, apriete la cubierta de la cadena.

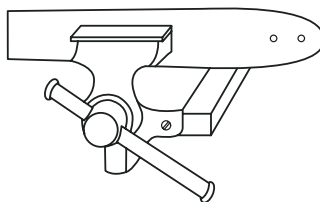
9.2 AFILADO DE LOS CORTADORES

Afile los cortadores si la cadena no penetra fácilmente en la madera.

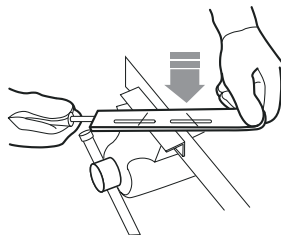
i NOTA

Recomendamos que un centro de servicio técnico, que tenga un afilador eléctrico, realice los trabajos importantes de afilado.

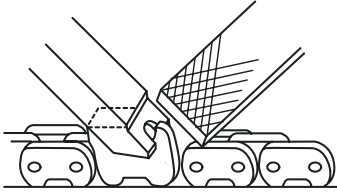
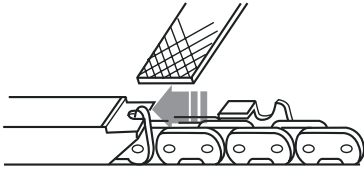
1. Cadena tensora.



2. Afile la esquina de los cortadores con una lima redonda de 5/32" (4 mm) de diámetro.



3. Afile la placa superior, la placa lateral y el calibrador de profundidad con una lima plana.



4. Afíle todos los cortadores a los ángulos especificados y a la misma longitud.

i NOTA

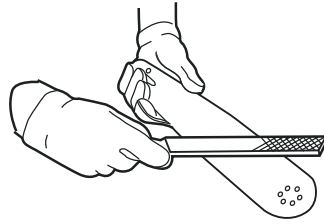
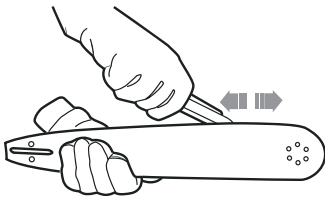
Durante el proceso,

- Mantenga la lima plana con la superficie que va a afilar.
- Utilice el punto medio de la barra de afilado.
- Emplee una presión ligera pero firme al afilar la superficie.
- Levante la lima en cada recorrido de retorno.
- Afíle los cortadores en un lado y posteriormente pase al otro lado.

Sustituya la cadena si:

- La longitud de los filos de corte es inferior a 1/5 in. (5 mm).
- Hay demasiado espacio entre los eslabones de accionamiento y los remaches.
- La velocidad de corte es lenta
- Se ha afilado la cadena muchas veces, pero no aumenta la velocidad de corte. La cadena está desgastada.

9.3 MANTENIMIENTO DE LA BARRA DE GUÍA



i NOTA

Asegúrese de que se gire periódicamente para mantener el desgaste simétrico en la barra.

1. Lubrique los rodamientos en el piñón de la punta (si está presente) con la jeringa (no incluida).
2. Limpie la ranura de la barra con el gancho de rascado (no incluido).
3. Limpie los orificios de lubricación.
4. Elimine las rebabas de los bordes y nivele las cuchillas con una lima plana.

Sustituya la barra si:

- la ranura no se ajusta a la altura de los eslabones de accionamiento (que nunca deben tocar la parte inferior).
- el interior de la barra de guía está desgastado y hace que la cadena se incline hacia un lado.

10 TRANSPORTE Y ALMACENAMIENTO

Antes de mover la máquina, siempre

- Retire la batería de la máquina.
- Mantenga las manos alejadas del botón de desbloqueo.
- Coloque la vaina en la barra de guía y la cadena.

Antes de almacenar la máquina, siempre

- Retire todo el aceite residual de la máquina.
- Retire la batería de la máquina.
- Limpie todo el material no deseado de la máquina.
- Asegúrese de que la zona de almacenamiento esté
 - No disponible a los niños.
 - Lejos de productos que puedan producir corrosión, como sustancias químicas para jardín y sales para descongelación.

11 SOLUCIÓN DE PROBLEMAS

Problema	Posible causa	Solución
La máquina no se pone en marcha.	Los tubos no se han montado correctamente.	Monte los tubos según las instrucciones.
	El botón de desbloqueo y el gatillo no se presionan al mismo tiempo.	<ol style="list-style-type: none"> 1. Pulse y mantenga pulsado el botón de desbloqueo 2. Mientras mantiene pulsado el botón de bloqueo, apriete el gatillo. 3. Suelte el botón de desbloqueo para poner en marcha la máquina.
La barra y la cadena se calientan y echan humo.	El depósito de aceite está vacío.	Llene el depósito de aceite.
	El orificio de descarga está bloqueado.	<ol style="list-style-type: none"> 1. Retire la batería. 2. Elimine la suciedad del orificio de descarga.
	La abertura de entrada del depósito de aceite interior está bloqueada.	<ol style="list-style-type: none"> 1. Limpie el depósito de aceite. 2. Llene de lubricante limpio para barras y cadenas.
	El piñón está atascado y obstruido con residuos.	<ol style="list-style-type: none"> 1. Limpie el piñón. 2. Llene de lubricante limpio para barras y cadenas.
La barra y la cadena se calientan demasiado y no pueden cortar.	La tensión de la cadena está demasiado tensa o demasiado floja.	Consulte Ajuste de la tensión de la cadena en el manual.
	La cadena está desafilada	Afile o sustituya la cadena.
	La cadena se ha puesto al revés.	Saque la cadena y gírela en la dirección adecuada.

Problema	Posible causa	Solución
El motor funciona, pero la cadena no corta correctamente, o el motor se detiene después de unos 3 segundos.	Cuando utiliza la máquina bajo carga, se detiene.	<ol style="list-style-type: none"> 1. Suelte el gatillo. 2. Vuelva a poner en marcha la máquina.
	La cadena no está lubricada.	Lubrique la cadena para disminuir la fricción.

12 DATOS TÉCNICOS

Tensión	48V DC
Longitud de barra de guía	200 mm
Paso de cadena	3/8" LP (9.5 mm)
Calibre de cadena	.050" (1.3 mm)
Capacidad de aceite para cadena	80 ml
Peso (sin batería)	8.2 lbs (3.7 kg)
Cadena	91PJ033X/CL15033X
Barra de guía	080NDEA318/ M1500833-1318TL
Modelo de batería	BAM706 y otras series BAM
Modelo de cargador	CAM803 y otras series CAM

El intervalo de temperatura ambiente recomendado:

Elemento	Temperatura
Intervalo de temperatura de almacenamiento del aparato	32°F (0°C) - 113°F (45°C)
Intervalo de temperatura de funcionamiento del aparato	32°F (0°C) - 113°F (45°C)
Intervalo de temperatura de carga de la batería	39°F (4°C) - 104°F (40°C)
Intervalo de temperatura de funcionamiento del cargador	39°F (4°C) - 104°F (40°C)
Intervalo de temperatura de almacenamiento de la batería	32°F (0°C) - 113°F (45°C)
Intervalo de temperatura de descarga de la batería	32°F (0°C) - 113°F (45°C)

13 GARANTÍA LIMITADA



Por la presente Greenworks garantiza este producto, al comprador original con el comprobante de compra, durante un periodo de tres (3) años frente a defectos en materiales, piezas o mano de obra. A su entera discreción Greenworks reparará o sustituirá cualquiera y todas las piezas que resulten ser defectuosas, con un uso normal, sin coste alguno para el cliente. Esta garantía es válida únicamente para unidades que se hayan utilizado para uso personal que no han sido arrendadas o alquiladas para uso industrial/comercial y cuyo mantenimiento se ha realizado de acuerdo con las instrucciones del manual del propietario suministrado con el producto nuevo.

ARTÍCULOS NO CUBIERTOS POR LA GARANTÍA:

1. Cualquier pieza que no funcione debido a mal uso, uso comercial, abuso, negligencia, accidente, mantenimiento inadecuado o alteración; o
2. La unidad, si no ha sido utilizada o mantenida de acuerdo con el manual del propietario; o
3. Desgaste normal, excepto en lo indicado a continuación;
4. Artículos de mantenimiento de rutina tales como lubricantes, afilado de cuchillas;
5. Deterioro normal del acabado exterior debido al uso o la exposición.

LÍNEA DE ASISTENCIA TELEFÓNICA:

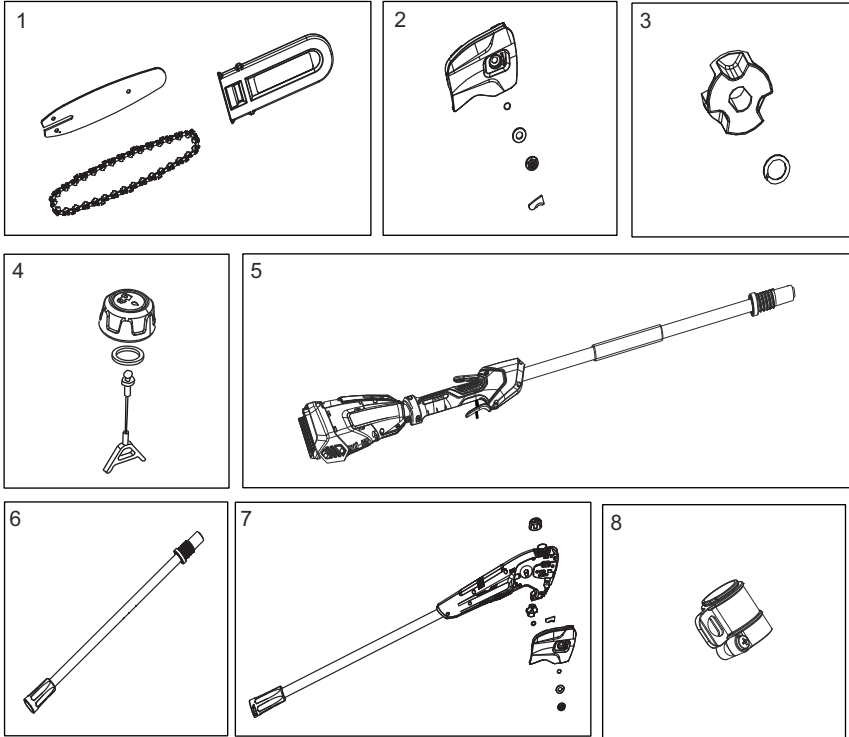
Puede contactar con el servicio de garantía llamando a nuestra línea de asistencia telefónica gratuita, a 1-855-470-4267.

COSTES DE TRANSPORTE:

Los costes de transporte por el desplazamiento de cualquier unidad o accesorio de equipos eléctricos son responsabilidad del comprador. Es responsabilidad del comprador pagar los costes de transporte de cualquier pieza enviada para su sustitución bajo esta garantía, a menos que dicha devolución sea solicitada por escrito por Greenworks.

Dirección en EE.UU.:	Dirección en Canadá:
Greenworks Tools	Greenworks Tools Canada Inc.
P.O. Box 1238	P.O. Box 93095, Newmarket, Ontario
Mooresville, NC 28115	L3Y 8K3

14 VISTA DESPIEZADA



Nº	Nº pieza	Cant.	Descripción	Nº	Nº pieza	Cant.	Descripción
1	R0201082-00	1	Barra / Cadena / Vaina	5	R0201102-00	1	Conjunto de tubo posterior
2	R0200052-00	1	Conjunto de cubierta de piñón	6	R0201103-00	1	Tubo intermedio
3	R0200049-00	1	Kit de piñón	7	R0201104-00	1	Conjunto de cabezal de sierra telescópica
4	R0200056-00	1	Conjunto de tapa de aceite	8	RB34108836V1	1	Hebilla del arnés