

greenworks



EN	SNOW THROWER	OPERATOR MANUAL
FR	SOUFFLEUSE À NEIGE	MANUEL D'OPÉRATEUR
ES	EQUIPO QUITANIEVE	MANUAL DEL OPERADOR



SNE402

48SN20

www.greenworkscommercial.com

www.shopgreenworksgear.com

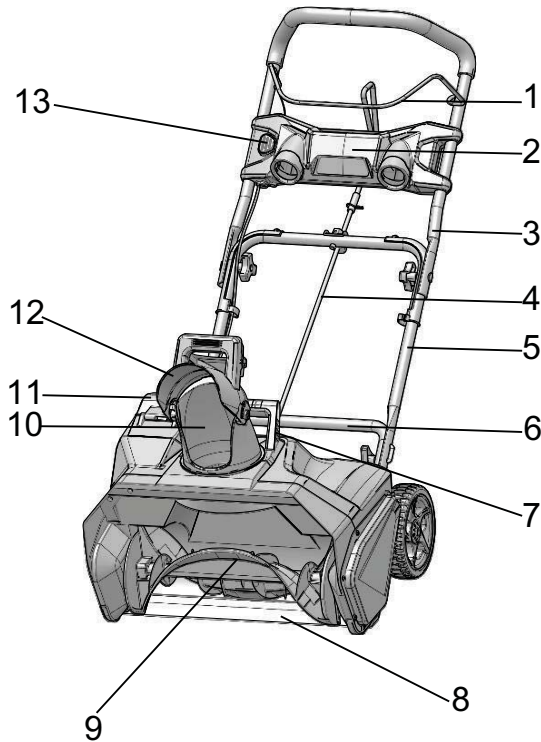
1	Description.....	4	7.4	Install the chute deflector.....	8
1.1	Purpose.....	4	7.5	Install the chute control rod.....	8
1.2	Overview.....	4	7.6	Install the battery pack.....	9
2	General power tool safety		7.7	Remove the battery pack.....	9
	warnings.....	4	8	Operation.....	9
2.1	Training.....	4	8.1	Cold weather operation.....	9
2.2	Preparation.....	4	8.2	Start the machine.....	9
2.3	Operation.....	5	8.3	Stop the machine.....	9
2.4	Maintenance.....	5	8.4	Adjust the discharge chute.....	10
2.5	The recommended ambient temperature range:.....	5	8.5	Adjust the chute deflector.....	10
3	Symbols on the product.....	6	8.6	LED headlights.....	10
4	Risk levels.....	6	8.7	Operation tips.....	10
5	Environmentally safe battery		9	Maintenance.....	11
	disposal.....	6	9.1	General maintenance.....	11
6	Proposition 65.....	7	9.2	Replace the scraper.....	11
7	Installation.....	7	9.3	Replace the impeller.....	11
7.1	Unpack the machine.....	7	9.4	Store the machine.....	12
7.2	Install the upper handle.....	7	10	Troubleshooting.....	12
7.3	Install the middle handle.....	8	11	Technical data.....	13
			12	Limited warranty.....	13
			13	Exploded view.....	14

1 DESCRIPTION

1.1 PURPOSE

This machine is used to remove and clear away snow from pavements, gardens, driveways and other ground-level surfaces.

1.2 OVERVIEW



- | | |
|----|-------------------------|
| 1 | Bail switch |
| 2 | LED lights |
| 3 | Upper handle |
| 4 | Chute control rod |
| 5 | Middle handle |
| 6 | Lower handle |
| 7 | Carrying or lift handle |
| 8 | Scraper |
| 9 | Impeller |
| 10 | Discharge chute |
| 11 | Battery door |
| 12 | Chute deflector |
| 13 | Safety switch button |

2 GENERAL POWER TOOL SAFETY WARNINGS

▲ WARNING

Read all safety warnings and all instructions. Failure to follow the warnings and instructions may result in electric shock, fire and/or serious injury.

Save all warnings and instructions for future reference.

The term "power tool" in the warnings refers to your battery-operated (cordless) power tool.

2.1 TRAINING

- Do not allow children under the age of 14 to operate this tool. Children who are 14 years of age or older must read and understand the operating instructions and safety rules in this manual and must be trained and supervised by a parent.
- Read the operating and service instruction manual carefully. Be thoroughly familiar with the controls and the proper use of the power tool. Know how to stop the unit and disengage the controls quickly.
- Never allow children to operate the power tool. Never allow adults to operate the power tool without proper instruction.
- Keep the area of operation clear of all persons, particularly small children, and pets.
- Exercise caution to avoid slipping or falling, especially when operating in reverse.
- Do not use on graveled surfaces.
- Dress Properly – Do not wear loose clothing or jewelry. They can be caught in moving parts.
- Wear appropriate boots when operating the snow thrower.
- Operation of the snow thrower in the hand-held position is unsafe, except in accordance with the special instructions for such use provided in the operator's manual.

2.2 PREPARATION

- Thoroughly inspect the area where the power tool is to be used and remove all doormats, sleds, boards, wires, and other foreign objects.
- Do not operate the power tool without wearing adequate winter garments. Wear footwear, which will improve footing on slippery surfaces.
- Adjust the housing height to clear gravel or crushed rock surface.
- Never attempt to make any adjustments while the machine is running (except where specifically recommended by manufacturer).
- Always wear safety glasses or eye shields during operation or while performing an adjustment or repair to protect eyes from foreign objects that may be thrown from the machine.
- Prevent unintentional starting. Ensure the switch is in the off-position before connecting to battery pack, picking up or carrying the appliance. Carrying the appliance with your finger on the switch or energizing appliance that have the switch on invites accidents.
- Disconnect the battery pack from the appliance before making any adjustments, changing accessories, or storing appliance. Such preventive safety measures reduce the risk of starting the appliance accidentally.

- When battery pack is not in use, keep it away from other metal objects, like paper clips, coins, keys, nails, screw or other small metal objects, that can make a connection from one terminal to another. Shorting the battery terminals together may cause burns or a fire.

2.3 OPERATION

- Do not put hands or feet near or under rotating parts. Keep clear of the discharge opening at all times.
- Exercise extreme caution when operating on or crossing gravel drives, walks, or roads. Stay alert for hidden hazards or traffic.
- After striking a foreign object, turn the machine off and remove the battery pack, and then inspect it for damage. Repair any damage before restarting and using the machine.
- If the power tool should start to vibrate abnormally, stop the machine and check immediately for the cause. Vibration is generally a warning of trouble.
- Stop the machine whenever you leave the operating position, before unclogging the collector/impeller housing or discharge guide, and when making any repairs, adjustments, or inspections.
- When cleaning, repairing, or inspecting, make certain the collector/impeller and all moving parts have stopped.
- Exercise extreme caution when operating on slopes.
- Never operate the snow thrower without proper guards, keep other safety protective devices in place and working.
- Never direct the discharge toward people or areas where property damage can occur. Keep children and others away.
- Don't Overreach – Keep proper footing and balance at all times.
- Do not overload the machine capacity by attempting to clear snow at too fast a rate.
- Don't Force Snow Thrower – It will perform better and safer at the rate for which it was designed.
- Never operate the power tool at high transport speeds on slippery surfaces. Use care when reversing.
- Never direct discharge at bystanders or allow anyone in front of the power tool.
- Disengage power to the collector/impeller when the power tool is transported or not in use.
- Use only attachments and accessories approved by the manufacturer of the snow thrower (such as wheel weights, counterweights, or cabs).
- Never operate the power tool without good visibility or light. Always be sure of your footing, and keep a firm hold on the handles.
- Walk, never run.
- Clearing a Clogged Discharge Chute.
- Hand contact with the rotating impeller inside the discharge chute is the most common cause of injury associated with snow throwers. Never use your hand to clean out the discharge chute. To clear the chute:

1. SHUT THE ENGINE (Motor) OFF!
 2. Wait 10 seconds to be sure the impeller blades have stopped rotating.
 3. Always use a clean-out tool, not your hands.
- If the snow thrower strikes a foreign object follow these steps:
 1. Stop snow thrower. Release the switch.
 2. Remove the battery pack.
 3. Inspect for damage.
 4. Repair any damage before restarting and operating the snow thrower.

2.4 MAINTENANCE

- Check shear bolts; engine-mounted bolt, etc., at frequent intervals for proper tightness to be sure the power tool is in safe working condition.
- Always refer to owner's guide instructions for important details if the power tool is to be stored for an extended period.
- Store Idle Snow throwers Indoors – When not in use, snow throwers should be stored indoors in a dry, locked-up place – out of reach of children.
- Run the power tool a few minutes after throwing snow to prevent freeze-up of the collector/impeller.
- Do not use a battery pack or appliance that is damaged or modified. Damaged or modified batteries may exhibit unpredictable behavior resulting in fire, explosion or risk of injury.
- Do not expose a battery pack or appliance to fire or excessive emperature space. Exposure to fire or temperature above 265°F (130°C) may cause explosion.
- Follow all charging instructions and do not charge the battery pack or appliance outside of the temperature range specified in the instructions. Charging improperly or at temperatures outside of the specified range may damage the battery and increase the risk of fire.
- Have servicing performed by a qualified repair person using only identical replacement parts. This will ensure that the safety of the product is maintained.
- Do not modify or attempt to repair the appliance or the battery pack (as applicable) except as indicated in the instructions for use and care.
- Maintain Snow Thrower with care - follow instructions for changing accessories.

2.5 THE RECOMMENDED AMBIENT TEMPERATURE RANGE:

Item	Temperature
Snow Thrower storage temperature range	1.4 °F (-17 °C) ~ 113 °F (45 °C)
Snow Thrower operation temperature range	1.4 °F (-17 °C) ~ 113 °F (45 °C)

Item	Temperature
Battery charging temperature range	39 °F (4 °C) ~ 104 °F (40 °C)
Charger operation temperature range	39 °F (4 °C) ~ 104 °F (40 °C)
Battery discharging temperature range	1.4 °F (-17 °C) ~ 113 °F (45 °C)
Battery storage temperature range	32 °F (0 °C) ~ 113 °F (45 °C)

3 SYMBOLS ON THE PRODUCT

Some of the following symbols may be used on this tool. Please study them and learn their meaning. Proper interpretation of these symbols will allow you to operate the tool better and safer.

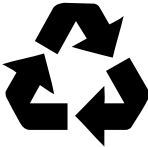
Symbol	Explanation
	Direct current
	Precautions that involve your safety.
	Read and understand all instructions before operating the product, and follow all warnings and safety instructions.
	Wear eye protection.
	Thrown objects can ricochet and result in personal injury or property damage. Wear protective clothing and boots.
	Keep bystanders a safe distance from the machine.
	Keep hands away from the discharge area.
	Stay away from moving parts. Keep all guards and shields in place.
	Keep feet out of impeller. Keep feet away from rotating impeller.
	Stop the motor and remove the battery before leaving the product.

4 RISK LEVELS

The following signal words and meanings are intended to explain the levels of risk associated with this product.

SYM-BOL	SIGNAL	MEANING
	DANGER	Indicates an imminently hazardous situation, which, if not avoided, will result in death or serious injury.
	WARNING	Indicates a potentially hazardous situation, which, if not avoided, could result in death or serious injury.
	CAUTION	Indicates a potentially hazardous situation, which, if not avoided, may result in minor or moderate injury.
	CAUTION	(Without Safety Alert Symbol) Indicates a situation that may result in property damage.

5 ENVIRONMENTALLY SAFE BATTERY DISPOSAL



The toxic and corrosive materials below are in the batteries used in this machine: **Lithium-Ion, a toxic material.**

▲ WARNING

Discard all toxic materials in a specified manner to prevent contamination of the environment. Before discarding damaged or worn out Li-ion battery, contact your local waste disposal agency, or the local Environmental Protection Agency for information and specific instructions. Take the batteries to a local recycling and/or disposal center, certified for lithium-ion disposal.

▲ WARNING

If the battery pack cracks or breaks, with or without leaks, do not recharge it and do not use. Discard it and replace with a new battery pack. **DO NOT TRY TO REPAIR IT!** To prevent injury and risk of fire, explosion, or electric shock, and to avoid damage to the environment:

- Cover the terminals of the battery with heavy-duty adhesive tape.
- **DO NOT** try to remove or destroy any of the battery pack components.
- **DO NOT** try to open the battery pack.
- If a leak develops, the released electrolytes are corrosive and toxic. **DO NOT** get the solution in the eyes or on skin, and do not swallow it.
- **DO NOT** put these batteries in your regular household trash.
- **DO NOT** incinerate.
- **DO NOT** put them where they will become part of any waste landfill or municipal solid waste stream.
- Take them to a certified recycling or disposal center.

6 PROPOSITION 65**▲ WARNING**

This product contains a chemical known to the state of California to cause cancer, birth defects or other reproductive harm. Some dust created by power sanding, sawing, grinding, drilling, and other construction activities contains chemicals known to cause cancer, birth defects or other reproductive harm. Some examples of these chemicals are:

- Lead from lead-based paints;
- Crystalline silica from bricks and cement and other masonry products;
- Arsenic and chromium from chemically treated lumber.

Your risk of exposure to these chemicals varies depending on how often you do this type of work. To reduce your exposure to these chemicals, work in a well-ventilated area, and work with approved safety equipment, such as dust masks that are specially designed to filter out microscopic particles.

Save these instructions.

7 INSTALLATION**▲ WARNING**

Do not change or make accessories that are not recommended by the manufacturer.

▲ WARNING

Do not put in the safety key or the battery pack until you assemble all the parts.

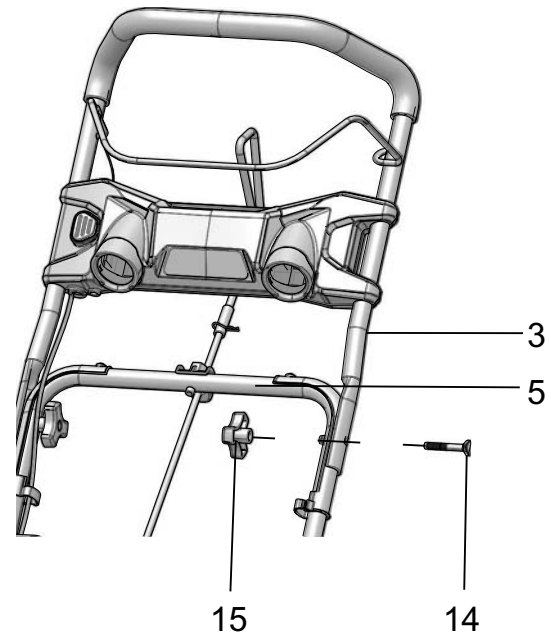
7.1 UNPACK THE MACHINE**▲ WARNING**

Make sure that you correctly assemble the machine before use.

▲ WARNING

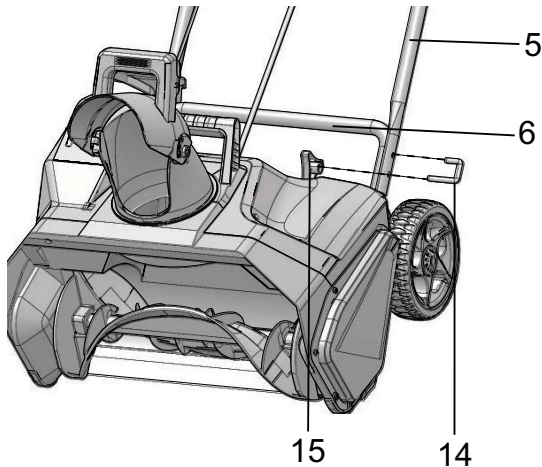
- If the parts are damaged, do not use the machine.
- If you do not have all the parts, do not operate the machine.
- If the parts are damaged or missing, speak to the service center.

1. Open the package.
2. Read the documentation in the box.
3. Remove all the unassembled parts from the box.
4. Remove the machine from the box.
5. Discard the box and package in compliance with local regulations.

7.2 INSTALL THE UPPER HANDLE

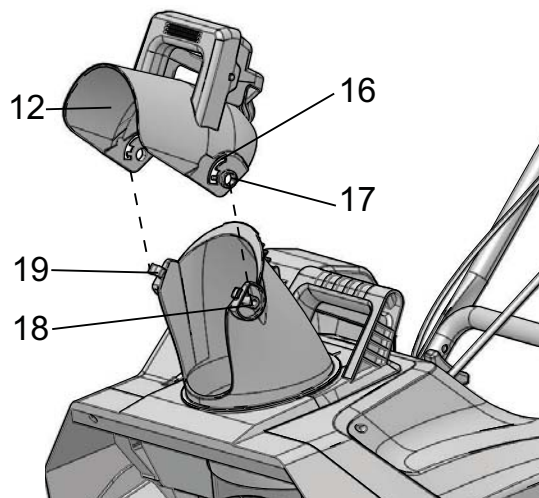
1. Align the holes in the middle handle (5) and the upper handle (3).
2. Insert the bolt (14) through the middle handle (5) and upper handle (3).
3. Tighten the handle knob (15) onto the bolt (14).
4. Repeat for left/right side.

7.3 INSTALL THE MIDDLE HANDLE



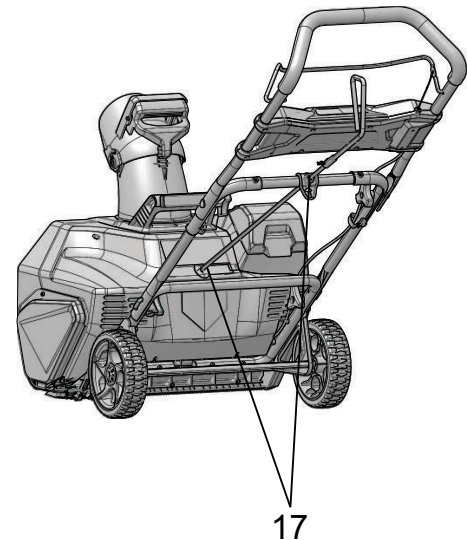
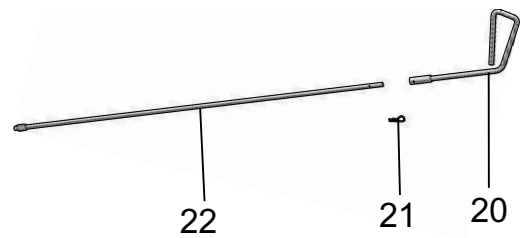
1. Align the holes in the middle handle (5) and the lower handle (6).
2. Put the bolts (14) through the middle handle (5) and the lower handle (6).
3. Tighten the handle knob (15) onto the bolt (14).
4. Repeat for left/right side.

7.4 INSTALL THE CHUTE DEFLECTOR



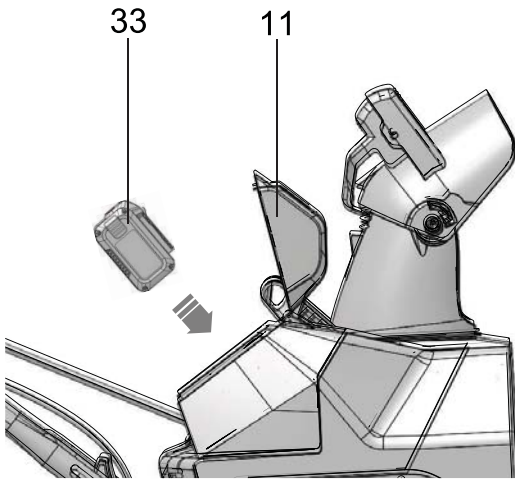
1. Align the tabs (18) on to the slots (16) on one side first.
2. Once you have engaged one tab on one slot push until you hear a click. Repeat on other side.
3. Push the chute deflector (12).
4. Make sure that the tabs (18) engage the slots (16) on the two sides.
5. Make sure that the posts (19) engage the holes (17) on the two sides.

7.5 INSTALL THE CHUTE CONTROL ROD



1. Align the holes (17) in the upper chute control rod (20) and lower chute control rod (22).
2. Put the hitch pin (21) through the holes (17).
3. Align the arrows in the discharge chute and snow thrower deck. Make sure the discharge chute faces forward.
4. Put the end of the chute control rod (4) straight through the hole (17) in the bracket. Keep the grip handle down.
5. Push the chute control rod (4) into the hole (17) behind the deck.
6. Turn the grip handle left and right to make sure that the discharge chute moves in the same direction.

7.6 INSTALL THE BATTERY PACK



▲ WARNING

- If the battery pack or charger is damaged, replace the battery pack or the charger.
- Stop the machine and wait until the engine stops before you install or remove the battery pack.
- Read, know, and do the instructions in the battery and charger manual.

1. Open the battery door (11).
2. Align the lift ribs on the battery pack (33) with the grooves in the battery compartment.
3. Push the battery pack (33) into the battery compartment until the battery pack (33) locks into place.
4. When you hear a click, the battery pack is installed.
5. Close the battery door (11).

7.7 REMOVE THE BATTERY PACK

1. Open the battery door (11).
2. Push and hold the battery release button.
3. Remove the battery pack from the machine.

8 OPERATION

▲ WARNING

Wear eye protection during operation.

8.1 COLD WEATHER OPERATION

The safe battery operation temperature ranges from 1°F (-17°C) to 113°F (45°C).

▲ WARNING

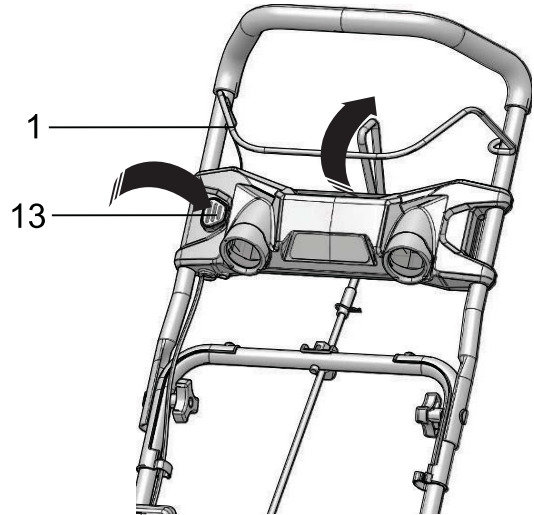
Do not store or charge battery outside.

Battery must be charged and stored indoors prior to use of the machine.

If the machine does not start:

- remove the battery pack from the machine,
- charge the battery pack to 15 minutes in warm area, or when the charging light turns green.
- Install the battery pack back in the unit.

8.2 START THE MACHINE



1. While holding the safety switch button (13), pull the bail lever (1) to start the machine.

i NOTE

Lower the scraper to the ground to remove the snow.

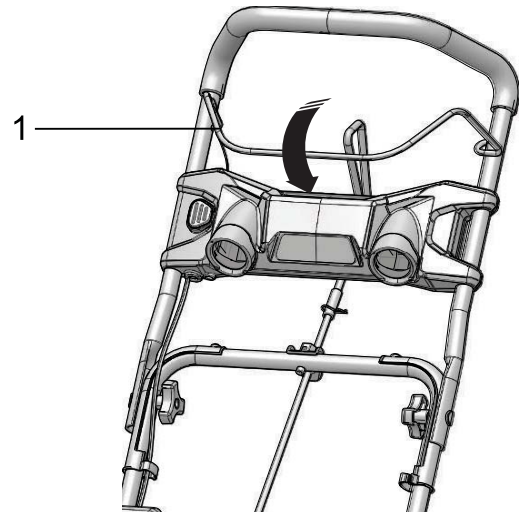
▲ WARNING

Keep bystanders a safe distance from the machine.

▲ WARNING

Examine the work area. Remove all stones, sticks, wire, bones, and other debris that can ricochet because of the rotating impeller.

8.3 STOP THE MACHINE



1. Release the bail lever (1) to stop the machine.

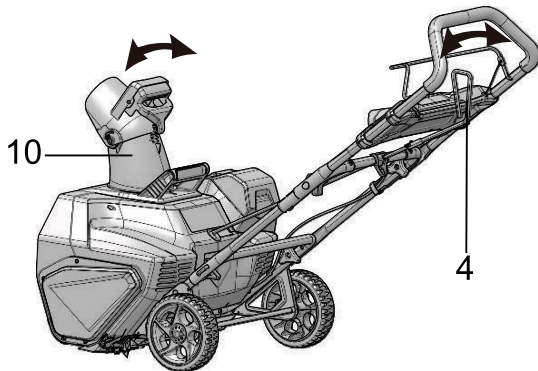
▲ WARNING

Wait until the impeller fully stops before you start the machine again. Do not quickly turn the machine off and on.

▲ WARNING

Remove the battery after you complete the work.

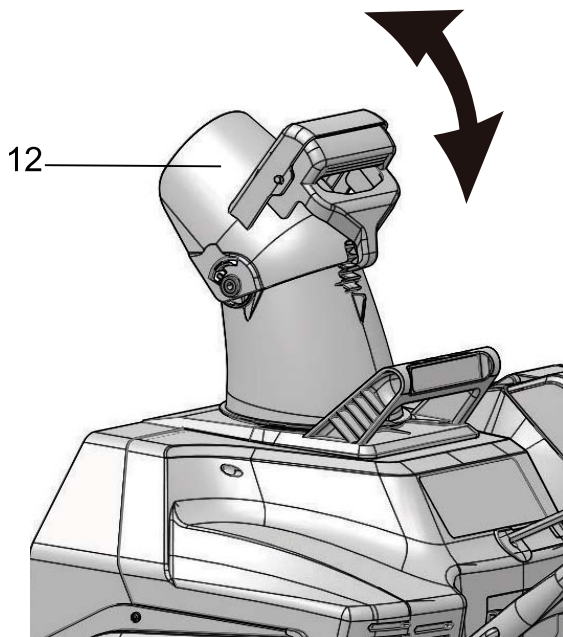
8.4 ADJUST THE DISCHARGE CHUTE



You can adjust the discharge chute 180° to change the snow direction.

1. Turn the grip handle (4) left to move the discharge chute (10) to the left.
2. Turn the grip handle (4) right to move the discharge chute (10) to the right.

8.5 ADJUST THE CHUTE DEFLECTOR



You can adjust the chute deflector up and down to change the throwing distance of the snow.

▲ WARNING

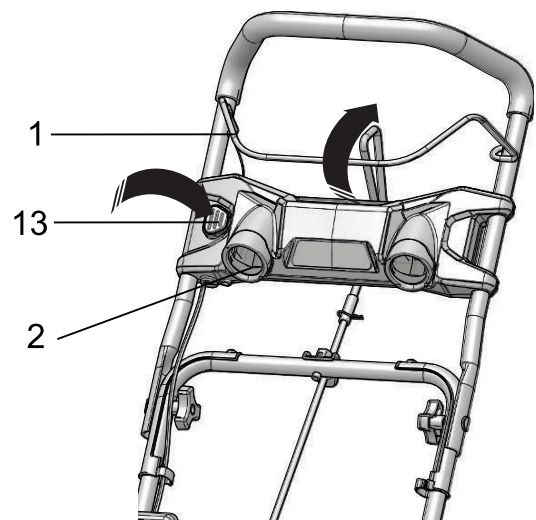
Release the bail switch before you adjust the chute deflector.

▲ WARNING

Do not push the deflector so far forward that a gap shows between the deflector and the chute.

1. Push and hold the trigger on the chute deflector (12).
2. Move the chute deflector (12) up to increase the snow distance.
3. Move the chute deflector (12) down to decrease the snow distance.

8.6 LED HEADLIGHTS



Turning the headlights on :

1. Push and hold the safety switch button (13).
2. Pull the bail switch (1) in the direction of the handle bar to turn the headlights (2) on.

Turning the headlights off :

3. Release the bail switch (1).

8.7 OPERATION TIPS

- If it is possible, clear the snow with the direction of the wind.
- In strong winds, lower the chute deflector to direct the snow to the ground.
- When you complete the work, let the machine operate for a while to prevent ice formation in the discharge chute.
- If the snow is deeper than 8", decrease the speed and let the machine work at its own rhythm.
- Do not use the scraper to remove compact snow and ice.

9 MAINTENANCE

▲ WARNING

Remove the battery pack from the machine before maintenance.

▲ CAUTION

Use only approved replacement parts.

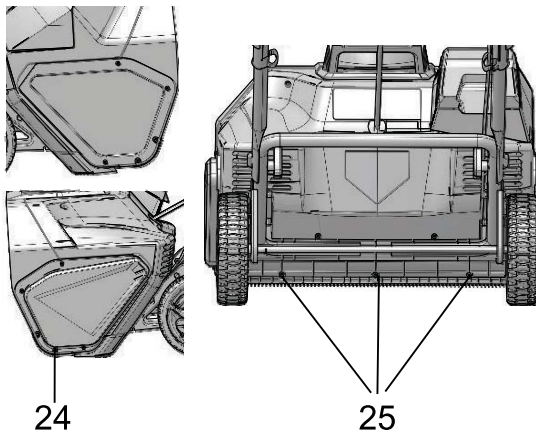
▲ CAUTION

Do not use strong solvents or detergents on the plastic housing or components.

9.1 GENERAL MAINTENANCE

- Before each use, examine the machine for damaged, missing, or loose parts such as screws, nuts, bolts and caps.
- Tighten correctly all the fasteners and caps.
- Clean the remaining snow on the machine with a brush.

9.2 REPLACE THE SCRAPER



▲ WARNING

Use only approved replacement scrapers.

▲ WARNING

Wear heavy gloves or wind cloth around the blade when you touch the blade.

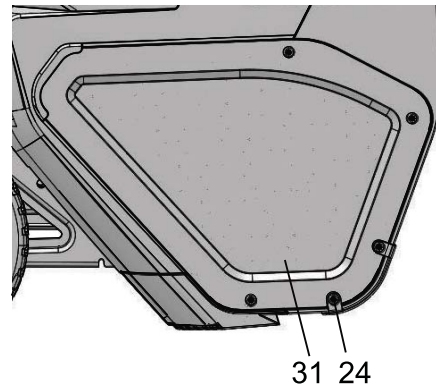
1. Remove the screws (24) from each side plate.
2. Remove the mounting screws (25) and spacers and discard the old scraper.
3. Install the new scraper.
4. Reinstall the mounting screws (25) and spacers and tighten them.

9.3 REPLACE THE IMPELLER

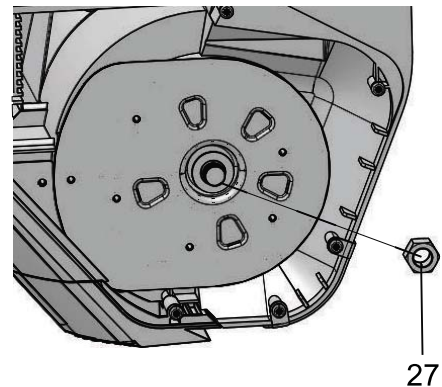
▲ WARNING

Use only approved replacement scrapers.

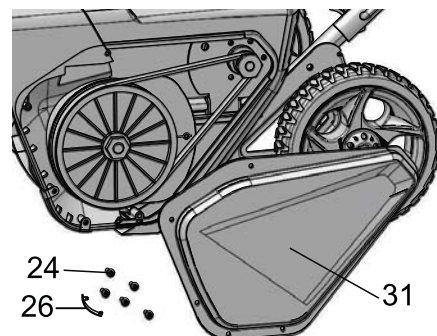
1. Remove the 5 screws (24) and side wear pad (26) that secure the right side cover (31).



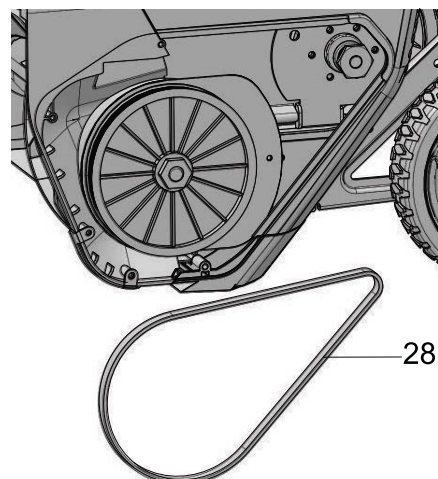
2. Remove the nut (27).



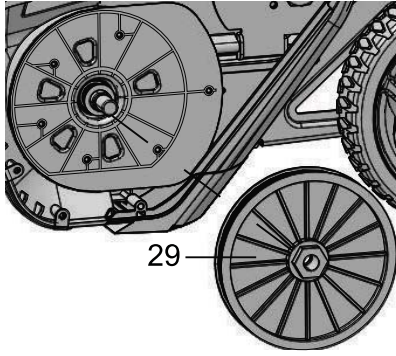
3. Remove the 5 screws (24) and side wear pad (26) that secure the left side cover (31).



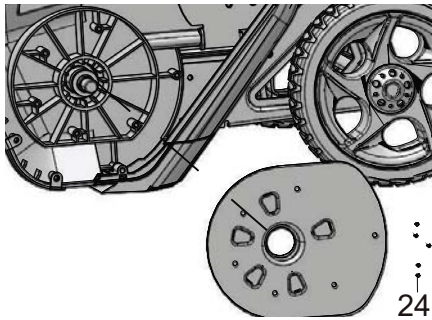
4. Remove the belt (28).



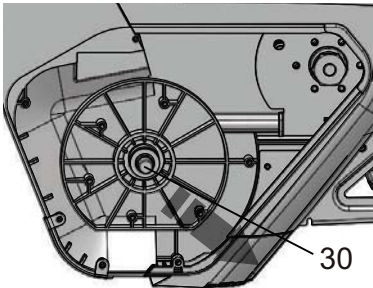
5. Using a socket wrench, remove the large pulley (29).



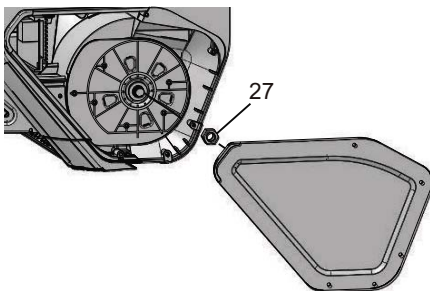
6. Remove the screws (24) that secure the left side plate.



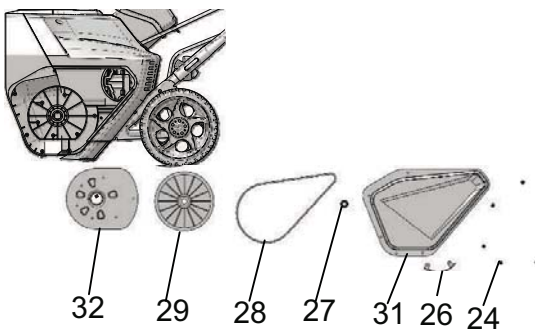
7. Pull the axle (30) and remove the old impeller, install the new impeller.



8. Reinstall the nut (27) and right side cover.



9. Reinstall the left side plate (32), large pulley (29), belt (28) and left side cover (31).



9.4 STORE THE MACHINE

- Clean the machine before storage.
- Make sure the motor is not hot when you store the machine.
- Make sure that the machine does not have loose or damaged parts. If it is necessary, do these steps/ instructions:
 - Replace the damaged parts.
 - Tighten the bolts.
 - Speak to a person at an approved service center.
- Store the machine in a dry area.
- Make sure that children cannot come near the machine.

10 TROUBLESHOOTING

Problem	Possible cause	Solution
The handle is not in position.	The bolts are not engaged correctly.	Adjust the height of the handle and make sure that the knobs and bolts are aligned correctly.
The machine does not start.	The battery is not charged.	Charge the battery by following the procedures in the battery and charger manual.
	The switch is defective.	Have the switch replaced by an authorized service center.
	Battery is too cold.	Remove battery from snow thrower. Place battery on charger and allow to charge for 10 minutes or until the changing light turns green. Remove from charger and install in snow thrower for use.
	Battery may require service or replacement.	Call toll free help-line, at 1-855-470-4267 or replace battery.
The engine is on, but the impeller does not turn.	The belt is damaged.	Replace the belt.
A thin layer of snow stays behind.	The scraper is damaged.	Replace the scraper.

* If you cannot find the solution to these problems, call 1-855-470-4267.

11 TECHNICAL DATA

Voltage	48 V
No load speed	1800 rpm
Clearing width	20 in. (50.8 cm)
Clearing depth	10 in. (25.4 cm)
Impeller size	16 in. (40.6 cm)
Weight (without battery pack)	33.6 lbs (15.25 kg)
Battery	48B4AH and other BAF series
Charger	CAM803 and other CAM series

12 LIMITED WARRANTY



Greenworks hereby warrants this product, to the original purchaser with proof of purchase, for a period of three (3) years against defects in materials, parts or workmanship. Greenworks, at its own discretion will repair or replace any and all parts found to be defective, through normal use, free of charge to the customer. This warranty is valid only for units which have been used for personal use that have not been hired or rented for industrial/commercial use, and that have been maintained in accordance with the instructions in the owners' manual supplied with the product from new.

ITEMS NOT COVERED BY WARRANTY:

1. Any part that has become inoperative due to misuse, commercial use, abuse, neglect, accident, improper maintenance, or alteration; or
2. The unit, if it has not been operated and/or maintained in accordance with the owner's manual; or
3. Normal wear, except as noted below;
4. Routine maintenance items such as lubricants, blade sharpening;
5. Normal deterioration of the exterior finish due to use or exposure.

HELPLINE:

Warranty service is available by calling our toll-free helpline, at 1-855-470-4267.

TRANSPORTATION CHARGES:

Transportation charges for the movement of any power equipment unit or attachment are the responsibility of the purchaser. It is the purchaser's responsibility to pay transportation charges for any part submitted for replacement under this warranty unless such return is requested in writing by Greenworks.

USA address:

Greenworks Tools

P.O. Box 1238

Mooresville, NC 28115

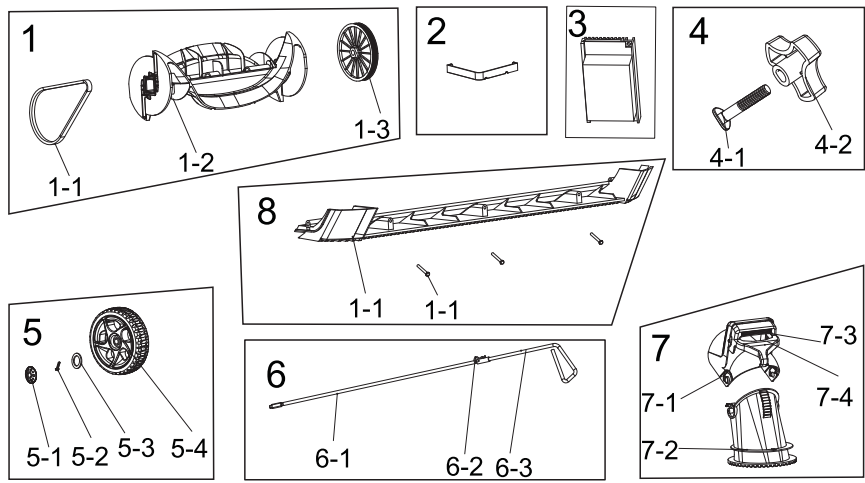
Canadian address:

Greenworks Tools Canada Inc.

1110 Stellar Drive Unit 102

Newmarket, ON, L3Y 7B7

13 EXPLODED VIEW



No.	Part No.	Qty	Description
1	R0201075-00	1	Impeller assembly
2	R0200283-00	1	Weather bar
3	R0201801-00	1	PCB board
4	RB341291179	1	Cam Lock Assembly
5	R0200165-00	1	Wheel Assembly
6	R0200166-00	1	Control Rod Assembly
7	R0200173-00	1	Chute Deflector Assembly
8	R0200282-00	1	Scraper Kit

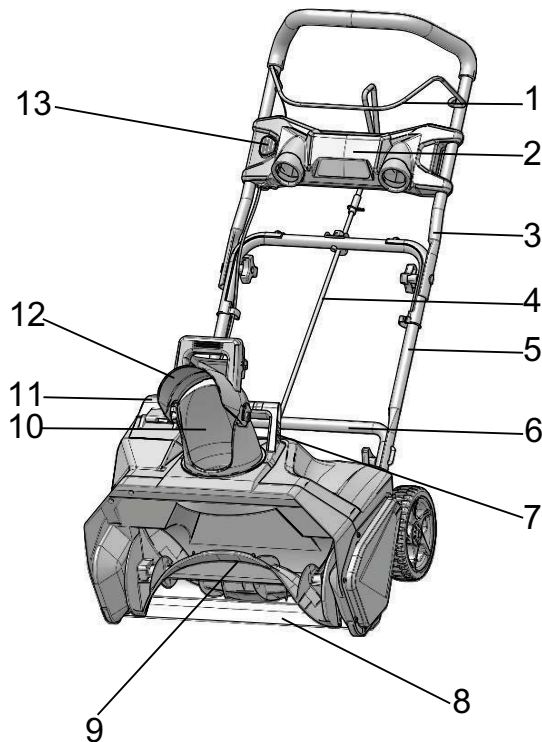
1	Description.....	16	7.4	Installez le déflecteur de la goulotte.....	20
1.1	But.....	16	7.5	Installez la tige de commande de la goulotte...	21
1.2	Aperçu.....	16	7.6	Installez le bloc-batterie.....	21
2	Avertissements généraux de		7.7	Retirez le bloc-batterie.....	21
	sécurité des outils électriques.....	16	8	Utilisation.....	21
2.1	Formation.....	16	8.1	Utilisation par temps froid.....	21
2.2	Préparation.....	16	8.2	Démarrez la machine.....	22
2.3	Utilisation.....	17	8.3	Arrêtez la machine.....	22
2.4	Entretien.....	17	8.4	Réglez la goulotte d'éjection.....	22
2.5	La plage de température ambiante		8.5	Réglez le déflecteur de la goulotte.....	23
	recommandée:.....	18	8.6	Phares avant DEL.....	23
3	Symboles figurant sur la		8.7	Conseils sur l'utilisation.....	23
	machine.....	18	9	Entretien.....	23
4	Niveaux de risques.....	18	9.1	Entretien général.....	24
5	Élimination des batteries sans		9.2	Remplacez le grattoir.....	24
	danger pour l'environnement.....	19	9.3	Remplacez la turbine.....	24
6	Proposition 65.....	19	9.4	Entreposez la machine.....	25
7	Installation	19	10	Dépannage.....	25
7.1	Déballez la machine.....	19	11	Données techniques.....	26
7.2	Installez la poignée supérieure.....	20	12	Garantie limitée.....	26
7.3	Installez la poignée du milieu.....	20	13	Vue éclatées.....	27

1 DESCRIPTION

1.1 BUT

Cette machine est utilisée pour enlever et déblayer la neige des trottoirs, jardins, allées et autres surfaces au niveau du sol.

1.2 APERÇU



- 1 Barre de sécurité
- 2 Lumière DEL
- 3 Partie supérieure du guidon
- 4 Tige de commande de la goulotte
- 5 Poignée du milieu
- 6 Poignée inférieure
- 7 Poignée de transport ou de levage
- 8 Grattoir
- 9 Turbine
- 10 Goulotte d'éjection
- 11 Trappe de la batterie
- 12 Déflecteur de la goulotte
- 13 Bouton de sécurité de l'interrupteur

2 AVERTISSEMENTS GÉNÉRAUX DE SÉCURITÉ DES OUTILS ÉLECTRIQUES

▲ AVERTISSEMENT

Lisez tous les avertissements de sécurité et toutes les instructions. Le non-respect de ces avertissements et de ces instructions peut entraîner un choc électrique, un incendie et/ou des blessures graves.

Conservez tous les avertissements et instructions pour référence ultérieure.

Le terme « outil électrique » dans les avertissements fait référence à votre outil électrique (sans fil) fonctionnant sur batterie.

2.1 FORMATION

- Ne laissez pas un enfant de moins de 14 ans utiliser cet outil. Les enfants de 14 ans ou plus doivent lire et comprendre les instructions d'utilisation et les règles de sécurité contenues dans ce manuel et doivent être formés et supervisés par un parent.
- Lisez attentivement le mode d'emploi et le manuel d'utilisation. Familiarisez-vous parfaitement avec les commandes et l'utilisation correcte de l'outil électrique. Apprenez comment arrêter l'appareil et désengager rapidement les commandes.
- Ne laissez jamais les enfants utiliser l'outil électrique. N'autorisez jamais les adultes à utiliser l'outil électrique sans instruction appropriée.
- Garder la zone d'opération à l'écart de toute personne, en particulier les jeunes enfants et les animaux domestiques.
- Faites preuve de prudence pour éviter le glissement ou la chute, surtout en opération en marche arrière.
- N'utilisez pas sur des surfaces caillouteuses.
- Habillez-vous correctement – Ne portez pas de vêtements amples ou de bijoux. Ils pourraient se coincer dans les pièces en mouvement.
- Portez des bottes adéquates lorsque vous utilisez la déneigeuse.
- L'utilisation de la souffleuse à neige soutenue dans les mains est dangereuse, sauf lorsqu'utilisée en conformité avec les instructions spéciales pour cette utilisation fournies dans le manuel de l'utilisateur.

2.2 PRÉPARATION

- Inspectez soigneusement la zone où l'outil électrique doit être utilisé et enlevez tous les pailleçons, traîneaux, planches, fils et autres corps étrangers.
- Ne pas utiliser l'outil électrique sans porter de vêtements d'hiver adéquats. Portez des chaussures qui amélioreront la stabilité sur les surfaces glissantes.
- Ajustez la hauteur du carter pour dégager le gravier ou la surface rocheuse écrasée.

- Ne tentez jamais d'effectuer des ajustements pendant que la machine est en marche (sauf si le fabricant le recommande).
- Portez toujours des lunettes de sécurité ou des protections oculaires pendant le fonctionnement ou tout en effectuant un réglage ou une réparation pour protéger les yeux des corps étrangers qui peuvent être jetés de la machine.
- Évitez tout démarrage accidentel. Assurez-vous que l'interrupteur est en position d'arrêt avant de brancher la batterie, de soulever ou de transporter l'appareil. Le fait de porter l'appareil avec un doigt sur l'interrupteur ou d'alimenter l'appareil dont l'interrupteur est en marche risque de provoquer des accidents.
- Retirez la batterie de l'outil électrique avant d'effectuer des réglages, de changer des accessoires ou de ranger la machine. De telles mesures de sécurité préventives réduisent le risque d'un démarrage accidentel de la machine.
- Lorsque la batterie n'est pas utilisée, éloignez-la des autres objets métalliques tels qu'attaches trombones, pièces de monnaie, clés, clous, vis ou autres petits objets métalliques qui peuvent établir une connexion d'une borne à une autre. Le court-circuitage des bornes de la batterie peut provoquer des brûlures ou un incendie.
- Ne vous penchez pas trop, gardez un bon équilibre en tout temps.
- Ne surchargez pas la capacité de la machine en essayant de déneiger à un rythme trop rapide.
- Ne forcez pas la déneigeuse - il fera mieux le travail et sera plus sécuritaire au rythme pour lequel il a été conçue.
- N'utilisez pas l'outil électrique à des vitesses élevées de déplacement sur des surfaces glissantes. Prenez soin en marche arrière.
- Ne dirigez jamais la décharge sur des passants ou n'autorisez personne devant l'outil électrique.
- Retirez la batterie lorsque l'outil électrique est transporté ou non utilisé.
- N'utilisez que des pièces jointes et des accessoires approuvés par le fabricant de la souffleuse à neige (tels que le poids des roues, les contrepoids ou les cabines).
- N'utilisez jamais l'outil électrique sans bonne visibilité ni lumière. Soyez toujours sûr de votre prise de pied, et maintenez une prise ferme sur les poignées.
- Travaillez en marchant, jamais en courant.
- Nettoyage d'une goulotte d'éjection obstruée.
- Le contact de la main avec la turbine rotative à l'intérieur de la goulotte d'éjection est la cause la plus fréquente de blessures associées aux souffleuses à neige. N'utilisez jamais votre main pour nettoyer la goulotte d'éjection. Pour dégager la goulotte :

2.3 UTILISATION

- Ne mettez pas les mains ou les pieds près ou sous des pièces rotatives. En tout temps, se tenir à l'écart de l'ouverture de déchargement.
- Faites preuve d'extrême prudence lors de l'utilisation sur ou en traversant des voies en gravier, des chemins ou des routes. Restez vigilant pour les dangers cachés ou la circulation.
- Après avoir heurté un objet étranger, éteignez la machine et retirez la batterie, puis inspectez-la pour identifier les dommages. Réparez toutes les pièces endommagées avant de redémarrer et d'utiliser l'outil électrique.
- Si l'outil électrique devait commencer à vibrer anormalement, arrêtez la machine et vérifiez immédiatement la cause. En général, les vibrations sont un signe de défaillance.
- Arrêtez la machine chaque fois que vous quittez la position de fonctionnement, avant de nettoyer la souffleuse, la turbine ou la goulotte d'éjection, et en effectuant des réparations, des ajustements ou des inspections.
- Lors du nettoyage, de la réparation ou de l'inspection, assurez-vous que la turbine et toutes les pièces mobiles sont arrêtées.
- Faites preuve d'extrême prudence lorsque vous déneigez des pentes.
- Ne jamais utiliser la souffleuse à neige sans les protections adéquates, gardez les autres dispositifs de protection de sécurité en place et en fonction.
- Ne dirigez jamais la décharge vers des personnes ou des zones où des dommages matériels peuvent survenir. Éloignez les enfants et les autres.

1. METTEZ L'APPAREIL (LE MOTEUR) À OFF !
 2. Attendez 10 secondes pour être sûr que la turbine a cessé de tourner.
 3. Utilisez toujours une brosse, pas vos mains.
- Si la souffleuse à neige heurte un corps étranger, procédez comme suit :
 1. Arrêtez la souffleuse à neige. Relâchez l'interrupteur.
 2. Retirez la batterie.
 3. Vérifiez qu'elle n'est pas endommagée.
 4. Réparez toutes les pièces endommagées avant de redémarrer et d'utiliser la souffleuse à neige.

2.4 ENTRETIEN

- Vérifier les boulons de cisaillement ; les boulons montés sur le moteur, etc., à intervalles réguliers pour une bonne étanchéité et s'assurer que l'outil électrique est en bon état de fonctionnement.
- Référez-vous toujours aux instructions du Guide du propriétaire pour des détails importants si l'outil électrique doit être entreposé pendant une période prolongée.
- Entreposer les déneigeuses à l'intérieur – lorsqu'elles ne sont pas utilisées, les déneigeuses doivent être entreposées à l'intérieur dans un endroit sec et verrouillé – hors de portée des enfants.
- Faites marcher l'outil électrique quelques minutes après avoir jeté de la neige pour empêcher le gel de la turbine.
- N'utilisez pas un bloc-batterie ou un appareil endommagé ou modifié. Les bloc-batteries endommagés ou modifiés

peuvent présenter un fonctionnement imprévisible et provoquer un incendie, une explosion ou un risque de blessure.



- N'exposez pas une batterie ou un appareil au feu ou à une température excessive. L'exposition au feu ou une température supérieure à 130°C (265°F) peut provoquer une explosion.
- Suivez toutes les instructions de recharge et ne rechargez pas le bloc-batterie ou l'appareil en dehors de la plage de température spécifiée dans ces instructions. Un rechargement incorrect ou à des températures en dehors de la plage spécifiée peut endommager la batterie et augmenter le risque d'incendie.
- Faites effectuer l'entretien par un réparateur qualifié en n'utilisant que des pièces de rechange identiques. Cela garantira le maintien de la sécurité du produit.
- Ne modifiez pas ou n'essayez pas de réparer l'appareil ou le bloc-batterie (selon le cas) sauf en conformité avec les instructions d'utilisation et d'entretien indiquées dans ce manuel.
- Entretenez la souffleuse à neige avec soin. Suivez les instructions pour changer les accessoires.









2.5 LA PLAGE DE TEMPÉRATURE AMBIANTE RECOMMANDÉE:

Article	Température
Températures recommandées pour le rangement de la souffleuse à neige	1.4 °F (-17 °C) ~ 113 °F (45 °C)
Températures recommandées pour l'utilisation de la souffleuse à neige	1.4 °F (-17 °C) ~ 113 °F (45 °C)
Températures recommandées pour la recharge du bloc-piles	39 °F (4 °C) ~ 104 °F (40 °C)
Températures recommandées pour l'utilisation du chargeur	39 °F (4 °C) ~ 104 °F (40 °C)
Plage de température de déchargement de la batterie	1.4 °F (-17 °C) ~ 113 °F (45 °C)
Plage de température d'entreposage de la batterie	32 °F (0 °C) ~ 113 °F (45 °C)

3 SYMBOLES FIGURANT SUR LA MACHINE




Certains des symboles suivants peuvent être utilisés sur cet outil. Veuillez les étudier et apprendre leur signification. Une bonne interprétation de ces symboles vous permettra de mieux utiliser l'outil et de manière plus sécuritaire.

Symbole	Explication
	Courant direct
	Précautions destinées à assurer la sécurité.

Symbole	Explication
	Lisez et comprenez toutes les instructions avant d'utiliser cette machine, et suivez tous les avertissements et les consignes de sécurité.
	Portez des lunettes enveloppantes.
	Les objets projetés peuvent ricocher et causer des blessures corporelles ou des dommages matériels. Portez des vêtements et des bottes de protection.
	Tenez les personnes présentes à une distance de sécurité de la machine.
	Éloignez vos mains de la zone de décharge.
	Éloignez-vous des pièces mobiles. Gardez toutes les protections et boucliers en place.
	Tenez les pieds hors de la turbine. Éloignez les pieds de la turbine rotative.
	Arrêtez le moteur et retirez le bloc-batterie avant de laisser la machine.

4 NIVEAUX DE RISQUES

Les termes de mise en garde suivants et leur signification ont pour but d'expliquer les niveaux de risques associés à l'utilisation de ce produit.

SYMBOLE	SIGNAL	SIGNIFICATION
	DANGER	Indique une situation dangereuse imminente qui, si elle n'est pas évitée, peut entraîner la mort ou des blessures graves.
	AVERTISSEMENT	Indique une situation potentiellement dangereuse qui, si elle n'est pas évitée, peut entraîner la mort ou des blessures graves.
	MISE EN GARDE	Indique une situation potentiellement dangereuse qui, si elle n'est pas évitée, pourrait causer des blessures mineures ou modérées.

SYM-BOLE	SIGNAL	SIGNIFICATION
	MISE EN GARDE	(Sans symbole d'alerte de sécurité) Indique une situation pouvant entraîner des dommages matériels.

5 ÉLIMINATION DES BATTERIES SANS DANGER POUR L'ENVIRONNEMENT



Les matières toxiques et corrosives ci-dessous se trouvent dans les batteries utilisées dans cette machine : **Lithium-ion, une substance toxique.**

▲ AVERTISSEMENT

Éliminez toutes les substances toxiques d'une manière spécifiée afin de prévenir la contamination de l'environnement. Avant de jeter une batterie Li-ion endommagée ou usée, contactez votre agence locale d'élimination des déchets ou l'agence locale de protection de l'environnement pour obtenir des informations et des instructions spécifiques. Apportez les batteries à un centre local de recyclage ou d'élimination certifié pour l'élimination de batteries au lithium-ion.

▲ AVERTISSEMENT

Si la batterie se fend ou se brise, avec ou sans fuites, ne la rechargez pas et ne l'utilisez pas. Jetez-la et remplacez-la par une nouvelle batterie. **N'ESSAYEZ PAS DE LA RÉPARER !** Pour prévenir les blessures et les risques d'incendie, d'explosion ou de choc électrique, et pour éviter tout dommage à l'environnement :

- Couvrez les bornes de la batterie avec du ruban adhésif résistant.
- **NE PAS** essayer d'enlever ou de détruire les composants de la batterie.
- **NE PAS** essayer d'ouvrir ou de réparer la batterie.
- En cas de fuite, les électrolytes rejetés sont corrosifs et toxiques. **NE PAS** laisser entrer la solution dans les yeux ou en contact avec la peau et ne pas l'avaler.
- **NE PAS** jeter vos batteries usagées dans votre poubelle à ordures ménagères.
- **NE PAS** incinérer.
- **NE LES** Mettez **PAS** dans un endroit où ils feront partie d'un site d'enfouissement de déchets ou d'un flux de déchets solides municipaux.
- Emmenez-les dans un centre de recyclage ou d'élimination certifié.

6 PROPOSITION 65

▲ AVERTISSEMENT

Ce produit contient un produit chimique connu dans l'état de Californie comme étant une cause de cancer, de malformations congénitales ou d'autres problèmes de reproduction. Certaines poussières produites par le ponçage mécanique, le sciage, le meulage, le perçage et d'autres activités de construction contiennent des produits chimiques connus pour causer le cancer, des malformations congénitales ou d'autres problèmes de reproduction. Voici quelques exemples de ces produits chimiques :

- Plomb provenant de peintures à base de plomb;
- Silice cristalline provenant de briques, de ciment et d'autres produits de maçonnerie;
- Arsenic et chrome provenant de bois traité chimiquement.

Votre risque d'exposition à ces produits chimiques varie selon la fréquence à laquelle vous faites ce type de travail. Pour réduire votre exposition à ces produits chimiques, travaillez dans un endroit bien ventilé et utilisez un équipement de sécurité approuvé, comme des masques anti-poussière spécialement conçus pour filtrer les particules microscopiques.

Conservez ces instructions

7 INSTALLATION

▲ AVERTISSEMENT

Ne changez pas ou ne fabriquez pas des accessoires qui ne sont pas recommandés par le fabricant.

▲ AVERTISSEMENT

Ne mettez pas la clé de sécurité ou le bloc-batterie tant que vous n'avez pas assemblé toutes les pièces.

7.1 DÉBALLEZ LA MACHINE

▲ AVERTISSEMENT

Assurez-vous d'assembler correctement la machine avant de l'utiliser.

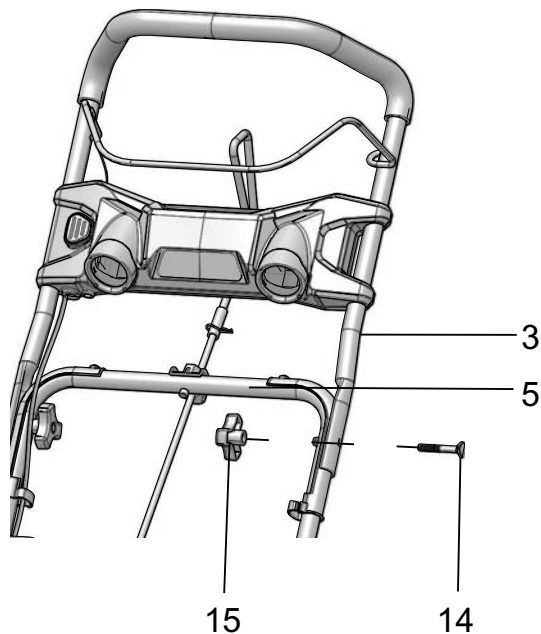
▲ AVERTISSEMENT

- Si les pièces sont endommagées, n'utilisez pas la machine.
- Si vous n'avez pas toutes les pièces, n'utilisez pas la machine.
- Si les pièces sont endommagées ou manquantes, communiquez avec le centre de service.

1. Ouvrez l'emballage.
2. Lisez la documentation contenue dans la boîte.
3. Retirez toutes les pièces non assemblées de la boîte.

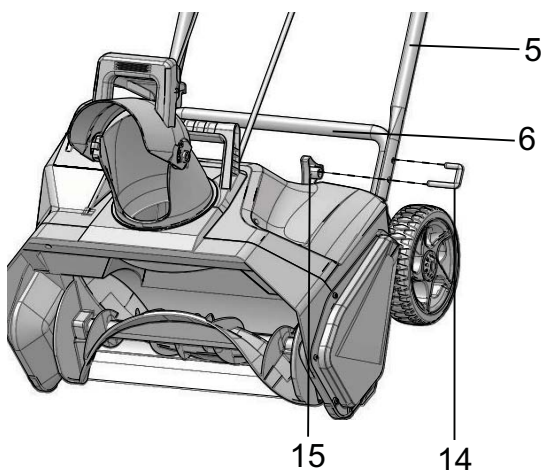
- Retirez la machine de sa boîte.
- Jetez la boîte et l'emballage en respectant les règlements locaux.

7.2 INSTALLEZ LA POIGNÉE SUPÉRIEURE



- Alignez les trous de la poignée (5) du milieu et de la poignée supérieure (3).
- Insérez le boulon (14) à travers la poignée du milieu (5) et la poignée supérieure (3).
- Serrez le bouton de la poignée (15) sur le boulon (14).
- Répétez sur le côté gauche/droit.

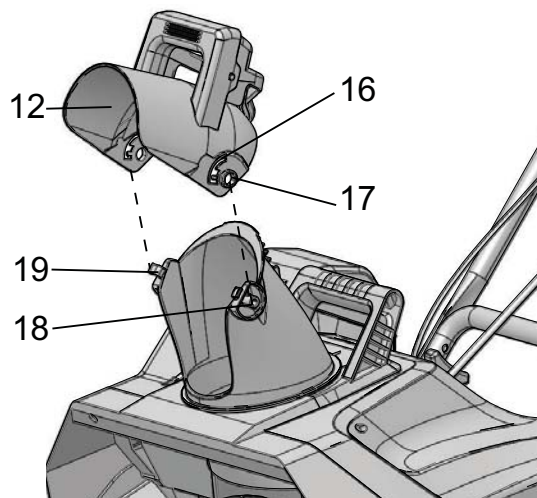
7.3 INSTALLEZ LA POIGNÉE DU MILIEU



- Alignez les trous de la poignée du milieu (5) et de la poignée inférieure (6).
- Insérez les boulons (14) dans la poignée du milieu (5) et dans la poignée inférieure (6).
- Serrez le bouton de la poignée (15) sur le boulon (14).

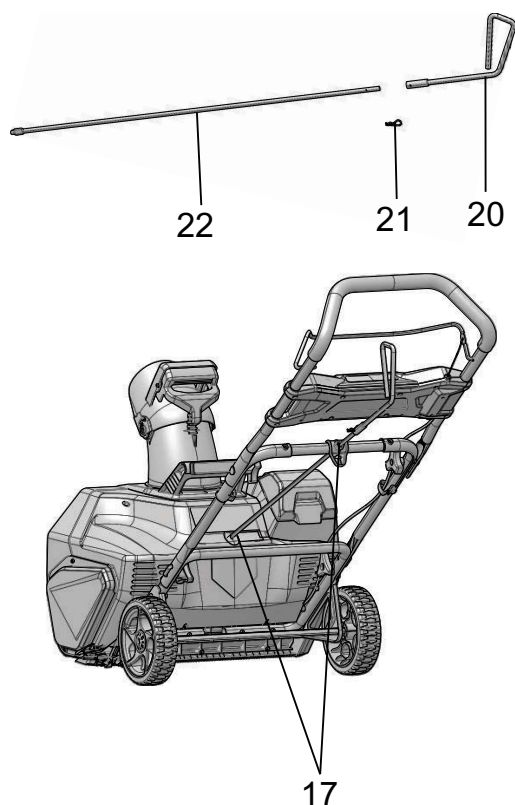
- Répétez sur le côté gauche/droit.

7.4 INSTALLEZ LE DÉFLECTEUR DE LA GOULOTTE



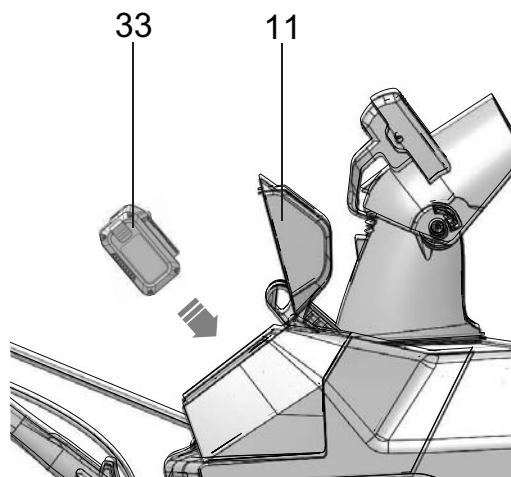
- Alignez d'abord les languettes (18) sur les fentes (16) d'un côté.
- Une fois que vous avez engagé une languette sur une fente, appuyez jusqu'à ce que vous entendiez un clic. Répétez de l'autre côté.
- Poussez le déflecteur de la goulotte (12).
- Assurez-vous que les languettes (18) sont bien engagées dans les fentes (16) des deux côtés.
- Assurez-vous que les poteaux (19) sont bien engagés dans les fentes (17) des deux côtés.

7.5 INSTALLEZ LA TIGE DE COMMANDE DE LA GOULOTTE



1. Alignez les trous (17) de la tige supérieure (20) et de la tige inférieure (22) de la commande de la goulotte.
2. Insérez la goupille de sécurité (21) dans les trous (17).
3. Alignez les flèches de la goulotte d'éjection et du plateau de la souffleuse à neige. Assurez-vous que la goulotte d'éjection est orientée vers l'avant.
4. Insérez l'extrémité de la tige de commande de la goulotte (4) directement dans le trou (17) du support. Baissez la poignée du guidon.
5. Poussez la tige de commande de la goulotte (4) dans le trou (17) situé derrière le plateau.
6. Tournez la poignée à gauche et à droite pour vous assurer que la goulotte d'éjection se déplace dans la même direction.

7.6 INSTALLEZ LE BLOC-BATTERIE



▲ AVERTISSEMENT

- Si le bloc-batterie ou le chargeur est endommagé, remplacez-le, au besoin.
- Arrêtez la machine et attendez que le moteur s'arrête avant d'installer ou de retirer le bloc-batterie.
- Lisez, comprenez et suivez les instructions du manuel du bloc-batterie et du chargeur.

1. Ouvrez la trappe de la batterie (11).
2. Alignez les languettes du bloc-batterie (33) avec les rainures du compartiment de batterie.
3. Poussez le bloc-batterie (33) dans le compartiment de batterie jusqu'à ce qu'il (33) soit bien encliqueté.
4. Vous devriez entendre un clic lorsque le bloc-batterie sera inséré correctement.
5. Fermez la trappe de la batterie (11).

7.7 RETIREZ LE BLOC-BATTERIE

1. Ouvrez la trappe de la batterie (11).
2. Poussez et maintenez enfoncé le bouton de déblocage de la batterie.
3. Retirez le bloc-batterie de la machine.

8 UTILISATION

▲ AVERTISSEMENT

Portez des lunettes de protection pendant l'utilisation.

8.1 UTILISATION PAR TEMPS FROID

La température de fonctionnement sécuritaire de la batterie varie de 1 °F (-17°C) à 113°F (45°C).

▲ AVERTISSEMENT

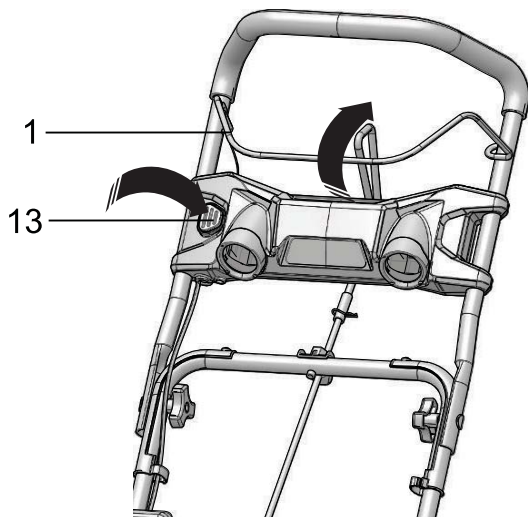
Ne rangez pas ou ne chargez pas la batterie à l'extérieur.

La batterie doit être chargée et entreposée à l'intérieur avant l'utilisation de la machine.

Si la machine ne démarre pas:

- retirez la batterie de la machine,
- chargez la batterie durant 15 minutes dans un endroit chaud ou jusqu'à ce que le voyant de charge devienne vert.
- Réinstallez la batterie dans l'unité.

8.2 DÉMARREZ LA MACHINE



1. Tout en maintenant le bouton de l'interrupteur de sécurité enfoncé (13), tirez sur le levier de verrouillage (1) pour démarrer la machine.

i REMARQUE

Abaissez le grattoir au sol pour enlever la neige.

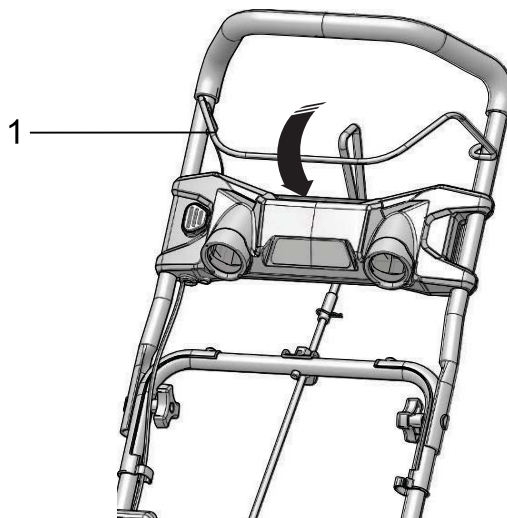
▲ AVERTISSEMENT

Tenez les personnes présentes à une distance sécuritaire de la machine.

▲ AVERTISSEMENT

Inspectez la zone de travail. Enlevez tous les cailloux, les bâtons, les fils, les os et autres débris qui peuvent ricocher à cause de la turbine rotative.

8.3 ARRÊTEZ LA MACHINE



1. Relâchez la barre de sécurité (1) pour arrêter la machine.

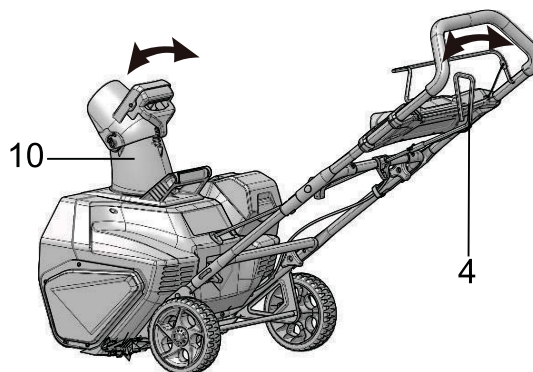
▲ AVERTISSEMENT

Attendez que la turbine s'arrête complètement avant de redémarrer la machine. N'éteignez pas et n'allumez pas brusquement la machine.

▲ AVERTISSEMENT

Retirez toujours le bloc-batterie après avoir terminé le travail.

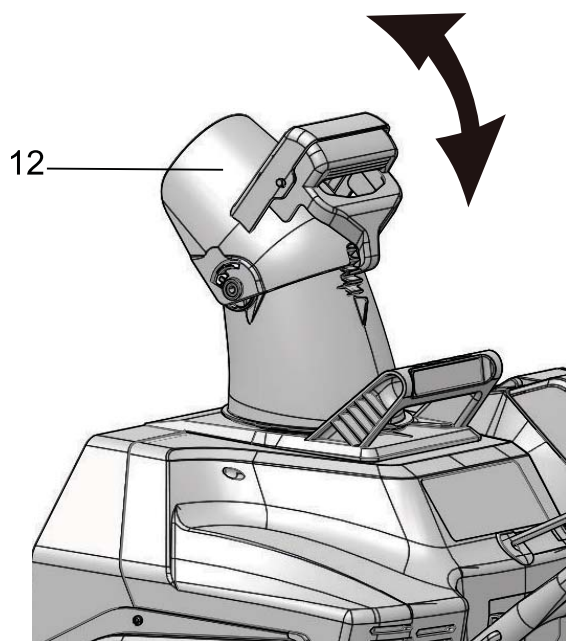
8.4 RÉGLEZ LA GOULOTTE D'ÉJECTION



Vous pouvez régler la goulotte d'éjection de 180° pour changer la direction de la neige.

1. Tournez la poignée (4) vers la gauche pour déplacer la goulotte d'éjection (10) vers la gauche.
2. Tournez la poignée (4) vers la droite pour déplacer la goulotte d'éjection (10) vers la droite.

8.5 RÉGLEZ LE DÉFLECTEUR DE LA GOULOTTE



Vous pouvez ajuster le déflecteur de la goulotte de haut en bas pour modifier la distance de projection de la neige.

▲ AVERTISSEMENT

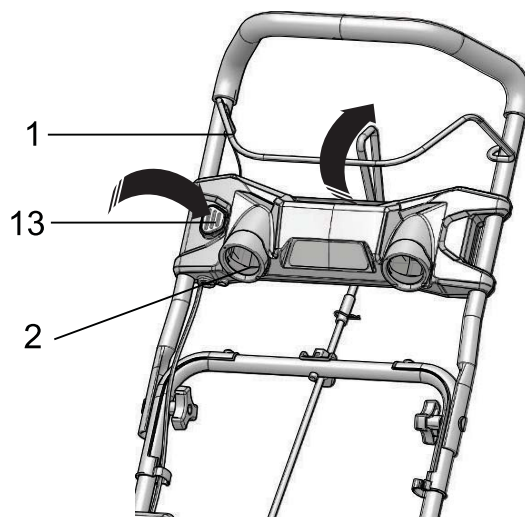
Relâchez la barre de sécurité avant de régler le déflecteur de la goulotte.

▲ AVERTISSEMENT

Ne poussez pas le déflecteur de la goulotte trop loin vers l'avant afin d'éviter qu'il y ait un espace entre le déflecteur et la goulotte.

1. Poussez et maintenez la gâchette sur le déflecteur de la goulotte et maintenez-la enfoncée (12).
2. Déplacez le déflecteur de la goulotte (12) vers le haut pour augmenter la distance de neige.
3. Déplacez le déflecteur de la goulotte (12) vers le bas pour réduire la distance de neige.

8.6 PHARES AVANT DEL



Allumage des phares avant :

1. Poussez et maintenez enfoncé le bouton de sécurité de l'interrupteur (13).
2. Pour allumer les phares (2), tirez la barre de sécurité (1) dans la direction du guidon.

Éteindre les phares avant :

3. Relâchez la barre de sécurité (1).

8.7 CONSEILS SUR L'UTILISATION

- Si c'est possible, déneigez la neige avec la direction du vent.
- En cas de vent fort, abaissez le déflecteur de la goulotte pour diriger la neige vers le sol.
- Une fois le travail terminé, laissez la machine fonctionner pendant un certain temps pour éviter la formation de glace dans la goulotte d'éjection.
- Si l'épaisseur de la neige est supérieure à 8 po (20 cm), diminuez la vitesse et laissez la machine travailler à son propre rythme.
- N'utilisez pas le grattoir pour enlever la neige compacte et la glace.

9 ENTRETIEN

▲ AVERTISSEMENT

Retirez la batterie de la machine avant l'entretien.

▲ ATTENTION

Utilisez seulement les pièces de rechange approuvées.

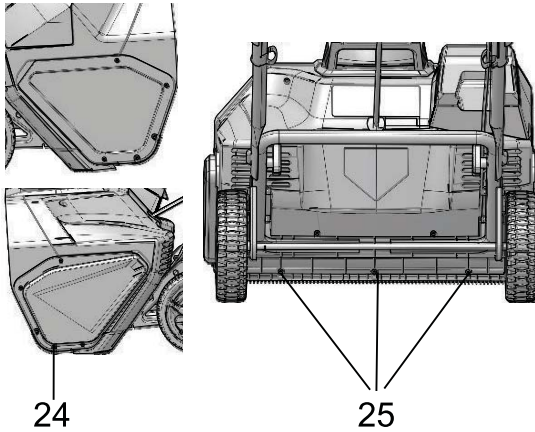
▲ ATTENTION

N'utilisez pas de solvants ou de détergents puissants sur le boîtier ou les composants en plastique.

9.1 ENTRETIEN GÉNÉRAL

- Avant chaque utilisation, vérifiez que la machine ne contient pas de pièces endommagées, manquantes ou desserrées, telles que vis, écrous, boulons et capuchons.
- Serrez correctement toutes les fixations et les capuchons.
- Nettoyez la neige qui reste sur la machine à l'aide d'une brosse.

9.2 REMPLACEZ LE GRATTOIR



▲ AVERTISSEMENT

Utilisez seulement les grattoirs approuvés.

▲ AVERTISSEMENT

Portez des gants épais ou enrroulez la lame avec un chiffon lorsque vous la touchez.

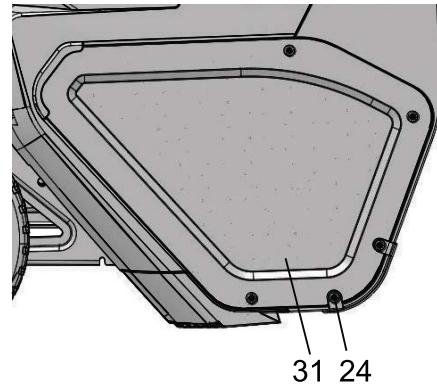
1. Retirez les vis (24) de chaque côté du plateau.
2. Retirez les vis de fixation (25) et les entretoises et jeter l'ancien grattoir.
3. Installez le nouveau grattoir.
4. Réinstallez les vis de fixation (25) et les entretoises et serrez-les.

9.3 REMPLACEZ LA TURBINE

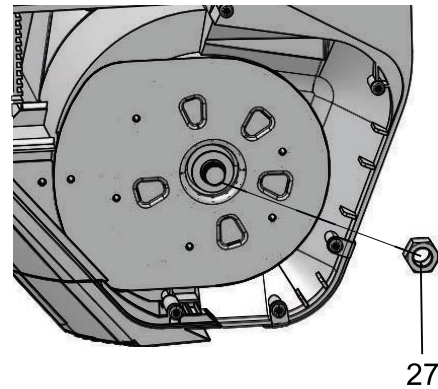
▲ AVERTISSEMENT

Utilisez seulement les grattoirs approuvés.

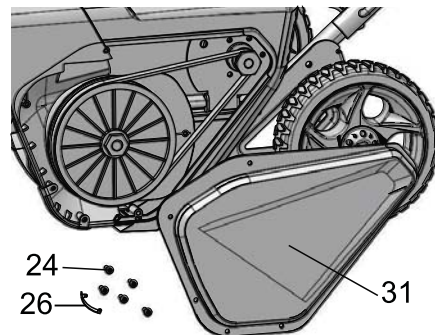
1. Retirez les 5 vis (24) et le patin d'usure latéral (26) qui fixent le couvercle latéral droit (31).



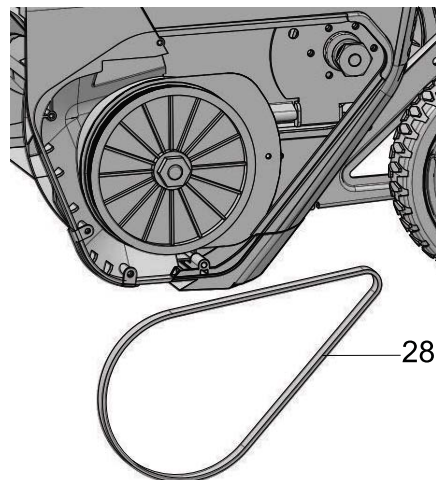
2. Retirez l'écrou (27).



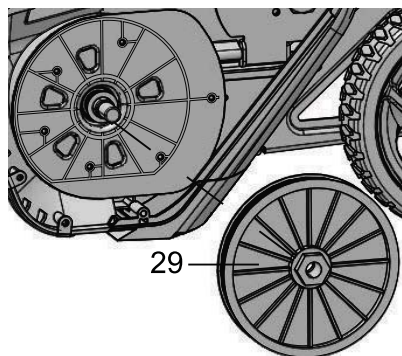
3. Retirez les 5 vis (24) et le patin d'usure latéral (26) qui fixent le couvercle latéral gauche (31).



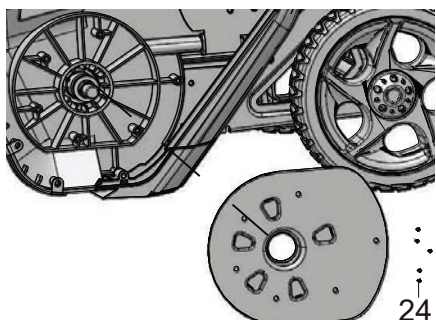
4. Retirez le sac (28).



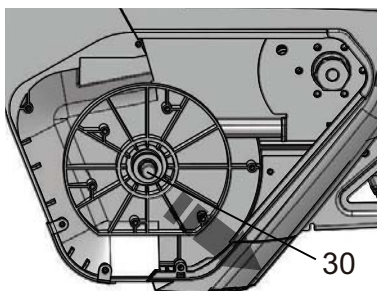
5. Retirez la grande poulie (29) à l'aide d'une clé à douille.



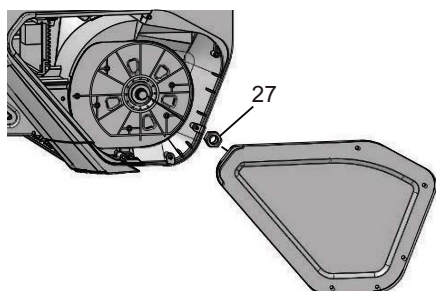
6. Retirez les vis (24) qui fixent la plaque latérale gauche.



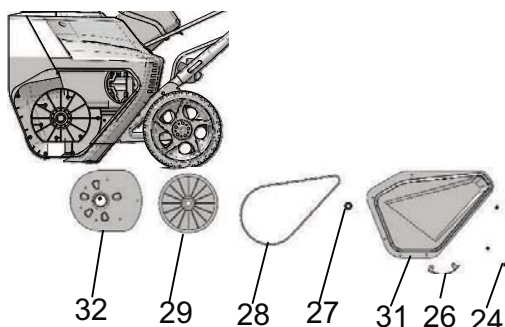
7. Tirez sur l'axe (30) et retirez l'ancienne turbine, installez la nouvelle turbine.



8. Réinstallez l'écrou (27) et le couvercle latéral.



9. Réinstallez la plaque latérale gauche (32), la grande poulie (29), la courroie (28) et le couvercle latéral gauche (31).



9.4 ENTREPOSEZ LA MACHINE

- Nettoyez la machine avant de l'entreposer.
- Assurez-vous que le moteur n'est pas chaud lorsque vous entreposez la machine.
- Assurez-vous que la machine n'a pas de pièces mal fixées ou endommagées. Au besoin, suivez ces étapes/instructions :
 - Remplacez les pièces endommagées.
 - Serrez les écrous.
 - Parlez à une personne d'un centre de service certifié.
- Entreposez la machine dans un endroit sec.
- Assurez-vous que les enfants ne peuvent pas s'approcher de la machine.

10 DÉPANNAGE

Problème	Cause possible	Solution
Le guidon n'est pas bien installé.	Les écrous ne sont pas bien enclenchés.	Ajustez la hauteur du guidon et assurez-vous que les boutons et les boulons sont alignés correctement.
La machine ne démarre pas.	La batterie n'est pas chargée.	Chargez la batterie en suivant les procédures du manuel de la batterie et du chargeur.
	L'interrupteur est défectueux.	Faites remplacer l'interrupteur défectueux par un centre de service agréé.
	La batterie est trop froide.	Retirez la batterie de la souffleuse à neige. Placez la batterie sur le chargeur et laissez-la charger pendant 10 minutes ou lorsque le voyant de charge devient vert. Retirez du chargeur et installez-la dans la souffleuse à neige pour l'utilisation.
	La batterie peut nécessiter un entretien ou un remplacement.	Appelez le service d'assistance téléphonique au 1-855-470-4267, ou remplacez la batterie.

Problème	Cause possible	Solution
Le moteur est en marche, mais la turbine ne tourne pas.	La courroie est endommagée.	Remplacez la courroie.
Une fine couche de neige reste derrière.	Le grattoir est endommagé.	Remplacez le grattoir.

* Si vous ne trouvez pas une solution à ces problèmes, communiquez avec le centre de service 1-855-470-4267.

11 DONNÉES TECHNIQUES

Voltage	48 V
Vitesse à vide	1800 rpm
Largeur de compensation	20 in. (50.8 cm)
Profondeur de déneigement	10 in. (25.4 cm)
Longueur de la turbine	16 in. (40.6 cm)
Poids (sans batterie)	33.6 lbs (15.25 kg)
Batterie	48B4AH et autre séries BAF
Chargeur	CAM803 et autre séries CAM

12 GARANTIE LIMITÉE



Greenworks garantit par la présente ce produit, à l'acheteur original avec preuve d'achat, pour une période de trois (3) ans contre tout défaut de matériaux, de pièces ou de main-d'œuvre. Greenworks, à sa propre discrétion, réparera ou remplacera toutes les pièces défectueuses, dans des conditions normales d'utilisation, sans frais pour le client. Cette garantie n'est valable que pour les appareils qui ont été utilisés à des fins personnelles, qui n'ont pas été loués à des fins industrielles ou commerciales et qui ont été entretenus conformément aux instructions du manuel du propriétaire fourni avec le produit neuf.

ARTICLES NON COUVERTS PAR LA GARANTIE :

1. Toute pièce qui est devenue inopérante en raison d'une mauvaise utilisation, d'une utilisation commerciale, d'un abus, d'une négligence, d'un accident, d'un entretien inapproprié ou d'une modification ; ou
2. L'appareil, s'il n'a pas été utilisé et/ou entretenu conformément au manuel du propriétaire ; ou
3. Usure normale, sauf comme indiqué ci-dessous ;
4. Articles d'entretien courant tels que lubrifiants, affûtage des lames ;
5. Détérioration normale du fini extérieur due à l'utilisation ou à l'exposition.

ASSISTANCE TÉLÉPHONIQUE :

Le service de garantie est disponible en appelant notre ligne d'assistance téléphonique sans frais, au 1-855-470-4267.

FRAIS DE TRANSPORT :

Les frais de transport pour le déplacement de tout équipement motorisé ou accessoire sont à la charge de l'acheteur. Il incombe à l'acheteur de payer les frais de transport pour toute pièce retournée pour remplacement en vertu de la présente garantie, à moins qu'un tel retour soit demandé par écrit par Greenworks.

Adresse aux États-Unis : Adresse au Canada :

Greenworks Tools

P.O. Box 1238

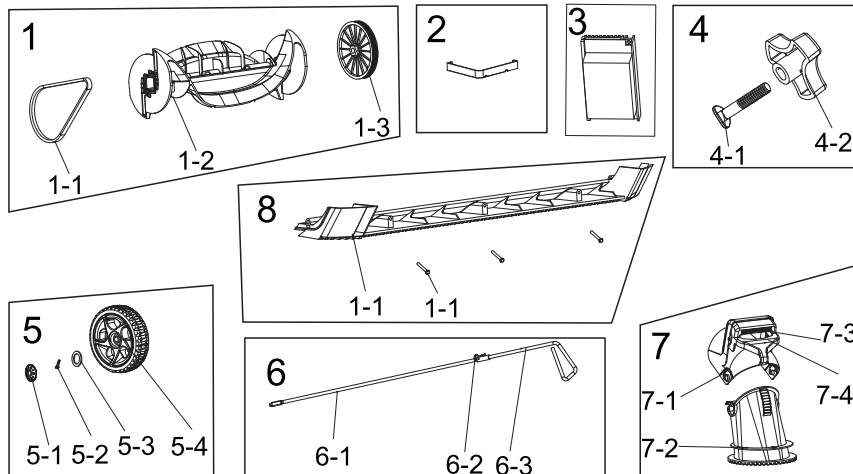
Mooresville, NC 28115

Greenworks Tools Canada Inc.

1110 Promenade Stellar bureau
102

Newmarket, ON, L3Y 7B7

13 VUE ÉCLATÉES



No	No de pièce	Qté	Description
1	R0201075-00	1	Ensemble de la pale
2	R0200283-00	1	Bar météo
3	R0201801-00	1	Cartes de circuits imprimés
4	RB341291179	1	Ensemble du dispositif de blocage
5	R0200165-00	1	Ensemble de roues
6	R0200166-00	1	Ensemble de la tige de commande
7	R0200173-00	1	Ensemble du déflecteur de la goulotte
8	R0200282-00	1	Trousse du grattoir

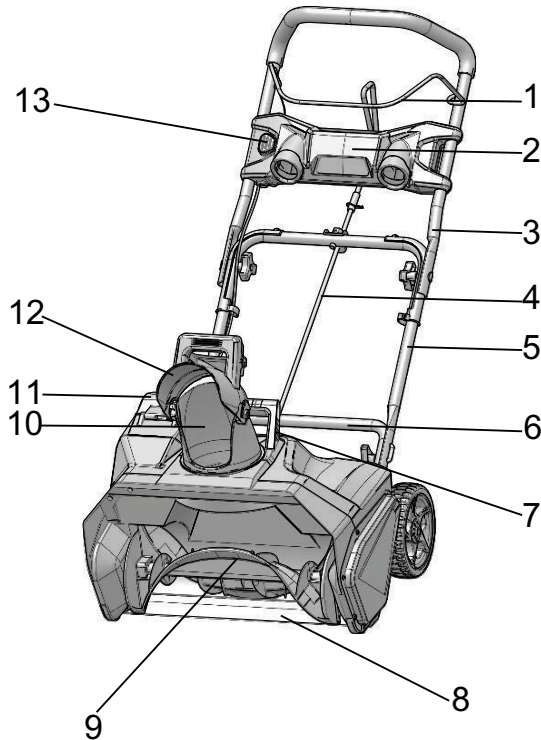
1	Descripción.....	29	7.4	Instalación del deflector del conducto.....	33
1.1	Finalidad.....	29	7.5	Instalación de la varilla de control del	
1.2	Perspectiva general.....	29		conducto.....	33
2	Advertencias generales de		7.6	Instalación de la batería.....	34
	seguridad para herramientas		7.7	Retirada de la batería.....	34
	eléctricas.....	29	8	Funcionamiento	34
2.1	Formación.....	29	8.1	Funcionamiento en condiciones de frío.....	34
2.2	Preparativos.....	29	8.2	Puesta en marcha de la máquina.....	34
2.3	Funcionamiento.....	30	8.3	Detención de la máquina.....	35
2.4	Mantenimiento.....	30	8.4	Ajuste del conducto de descarga.....	35
2.5	El rango de temperature ambiente		8.5	Ajuste del deflector del conducto.....	35
	recomendado:.....	31	8.6	Luces delanteras LED.....	36
3	Símbolos en el producto.....	31	8.7	Consejos de funcionamiento.....	36
4	Niveles de riesgo.....	31	9	Mantenimiento.....	36
5	Eliminación de batería segura		9.1	Mantenimiento general.....	36
	para el medio ambiente.....	32	9.2	Sustitución del rascador.....	36
6	Propuesta 65.....	32	9.3	Sustitución del rotor.....	36
7	Instalación	32	9.4	Almacenamiento de la máquina.....	38
7.1	Desembalaje de la máquina.....	32	10	Solución de problemas.....	38
7.2	Instalación del asa superior.....	33	11	Datos técnicos.....	38
7.3	Instalación del asa intermedia.....	33	12	Garantía limitada.....	39
			13	Vista despiezada.....	40

1 DESCRIPCIÓN

1.1 FINALIDAD

Esta máquina se utiliza para quitar y despejar la nieve de aceras, jardines, calzadas y otras superficies a nivel del suelo.

1.2 PERSPECTIVA GENERAL



- 1 Interruptor de seguridad
- 2 Luces LED
- 3 Asa superior
- 4 Varilla de control del conducto
- 5 Asa intermedia
- 6 Asa inferior
- 7 Asa de transporte o elevación
- 8 Rascador
- 9 Rotor
- 10 Conducto de descarga
- 11 Puerta de la batería
- 12 Deflector del conducto
- 13 Botón del interruptor de seguridad

2 ADVERTENCIAS GENERALES DE SEGURIDAD PARA

HERRAMIENTAS ELÉCTRICAS

▲ AVISO

Lea todas las advertencias de seguridad y todas las instrucciones. *El incumplimiento de las advertencias e instrucciones puede provocar descargas eléctricas, incendios o lesiones graves.*

ES

Guarde todas las advertencias e instrucciones para su consulta posterior.

El término "herramienta eléctrica" empleado en las advertencias se refiere a su herramienta eléctrica con funcionamiento a batería (inalámbrica).

2.1 FORMACIÓN

- No permita que niños menores de 14 años utilicen esta herramienta. Los niños de 14 años o mayores deben leer y entender las instrucciones de funcionamiento y las normas de seguridad que se encuentran en este manual y deben recibir formación y supervisión por parte de uno de sus progenitores.
- Lea detenidamente el manual de instrucciones de funcionamiento y servicio. Familiarícese a fondo con los controles y el uso correcto de la herramienta eléctrica. Debe saber cómo detener la unidad y desacoplar los controles rápidamente.
- Nunca permita que los niños utilicen la herramienta eléctrica. Nunca permita que utilicen la herramienta eléctrica adultos sin la debida instrucción.
- Mantenga la zona de funcionamiento libre de cualquier persona, especialmente niños pequeños y mascotas.
- Tenga precaución para evitar resbalones o caídas, especialmente durante la utilización marcha atrás.
- No utilice sobre superficies de gravilla.
- Lleve indumentaria adecuada – No lleve ropa o joyas sueltas. Pueden quedar atrapadas en las piezas móviles.
- Lleve botas adecuadas al utilizar el quitanieves.
- El funcionamiento del quitanieves en la posición de mano no es seguro, excepto de acuerdo con las instrucciones especiales para dicho uso que se proporcionan en el manual del operario.

2.2 PREPARATIVOS

- Inspeccione exhaustivamente la superficie donde va a utilizarse la herramienta eléctrica y elimine todos los felpudos, trineos, planchas, cables y otros objetos extraños.
- No utilice la herramienta eléctrica sin llevar indumentaria adecuada de invierno. Lleve calzado, que mejorará el equilibrio en superficies resbaladizas.
- Ajuste la altura de la carcasa para dejar espacio en caso de superficies de grava o piedra triturada.

- Nunca intente realizar ningún ajuste mientras la máquina esté en funcionamiento (excepto cuando el fabricante lo recomiende específicamente).
- Lleve siempre gafas de seguridad o protectores oculares durante la utilización o al realizar un ajuste o una reparación para proteger los ojos de objetos extraños que puedan ser lanzados desde la máquina.
- Evite el arranque accidental. Asegúrese de que el interruptor esté en la posición de apagado antes de conectar a la batería y al coger o transportar el aparato. El transporte del aparato con el dedo en el interruptor o la conexión de un aparato que tiene el interruptor activado fomenta los accidentes.
- Desconecte la batería del aparato antes de realizar ajustes, cambiar accesorios o almacenarlo. Estas medidas de seguridad preventivas reducen el riesgo de que el aparato se ponga en marcha accidentalmente.
- Cuando la batería no esté en uso, manténgala alejada de otros objetos metálicos como clips, monedas, llaves, clavos, tornillos u otros objetos metálicos pequeños que puedan hacer una conexión entre los terminales. El cortocircuito de los terminales de la batería puede provocar quemaduras o un incendio.
- No sobrecargue la capacidad de la máquina intentando quitar demasiada nieve a una velocidad demasiado rápida.
- No fuerce el quitanieves – Hará el trabajo mejor y con mayor seguridad a la velocidad para la que se diseñó.
- Nunca utilice la herramienta eléctrica a altas velocidades de transporte en superficies resbaladizas. Tenga cuidado al dar marcha atrás.
- Nunca dirija la descarga a los transeúntes ni permita que una persona se ponga delante de la herramienta eléctrica.
- Desconecte la alimentación del colector/rotor cuando la herramienta eléctrica se transporte o no esté en uso.
- Utilice únicamente accesorios aprobados por el fabricante del quitanieves (como pesos de ruedas, contrapesos o cabinas).
- Nunca utilice la herramienta eléctrica sin una buena visibilidad o luz. Asegúrese siempre de tener una posición estable y mantenga un agarre firme en las asas.
- Camine, no corra.
- Desobstrucción de un conducto de descarga.
- El contacto manual con el rotor giratorio dentro del conducto de descarga es la causa más común de lesiones asociadas con los quitanieves. Nunca utilice la mano para limpiar el conducto de descarga. Para desobstruir el conducto:

2.3 FUNCIONAMIENTO

1. ¡APAGUE EL MOTOR!
 2. Espere 10 segundos para asegurarse de que las palas del rotor hayan dejado de girar.
 3. Utilice siempre una herramienta de limpieza, no sus manos.
- Si el quitanieves golpea un objeto extraño siga estos pasos:
 1. Detenga el quitanieves. Suelte el interruptor.
 2. Retire la batería.
 3. Inspeccione si hay daños.
 4. Repare los daños antes de volver a poner en marcha y utilizar el quitanieves.
- No ponga las manos ni los pies cerca o debajo de las piezas giratorias. Manténgase alejado en todo momento de la abertura de descarga.
 - Extreme las precauciones al trabajar sobre o al cruzar senderos de grava, aceras o caminos. Esté alerta a los riesgos ocultos o al tráfico.
 - Después de golpear un objeto extraño, apague la máquina y retire la batería, posteriormente inspecciónela para detectar daños. Repare los daños antes de volver a poner en marcha y utilizar la máquina.
 - Si la herramienta eléctrica empieza a vibrar de manera anormal, detenga la máquina y compruebe de inmediato la causa. Normalmente la vibración es una advertencia de problemas.
 - Detenga la máquina cada vez que abandone la posición de utilización, antes de desatascar la carcasa del colector/rotor o la guía de descarga, así como al realizar reparaciones, ajustes o inspecciones.
 - Cuando limpie, repare o inspeccione, asegúrese de que el colector/rotor y todas las piezas en movimiento se hayan detenido.
 - Extreme las precauciones cuando trabaje en pendientes.
 - Nunca utilice el quitanieves sin las protecciones adecuadas, mantenga los demás dispositivos de protección de seguridad en su posición y en estado de funcionamiento.
 - Nunca dirija la descarga hacia personas o zonas donde puedan producirse daños a la propiedad. Mantenga alejados a los niños y otras personas.
 - No se estire – Mantenga en todo momento una postura adecuada y el equilibrio.

2.4 MANTENIMIENTO

- Compruebe los pernos de seguridad, los pernos de montaje del motor, etc., a intervalos frecuentes para garantizar un apriete adecuado y que la herramienta eléctrica esté en condiciones seguras de funcionamiento.
- Consulte siempre las instrucciones de la guía del propietario para obtener detalles importantes si la herramienta eléctrica debe almacenarse durante un periodo prolongado.
- Almacene los quitanieves inactivos en interior – Cuando no estén en uso, los quitanieves deben almacenarse en interiores, en un lugar a seco, cerrado y fuera del alcance de los niños.
- Haga funcionar la herramienta eléctrica unos minutos después de quitar nieve para evitar la congelación del colector/rotor.
- No utilice una batería o un aparato que haya sufrido daños o modificaciones. Las baterías dañadas o

modificadas pueden exhibir un comportamiento impredecible que puede dar lugar a un incendio, una explosión o un riesgo de lesiones.

- No exponga una batería o un aparato al fuego ni a un espacio con temperatura excesiva. La exposición al fuego o a una temperatura superior a 265°F (130°C) puede provocar una explosión.
- Siga todas las instrucciones de carga y no cargue la batería o el aparato fuera del intervalo de temperatura especificado en las instrucciones. La carga incorrecta o a temperaturas fuera del intervalo especificado puede dañar la batería y aumentar el riesgo de incendio.
- Solicite a un técnico de reparación cualificado que realice las tareas de servicio utilizando únicamente piezas de repuesto idénticas. Esto garantizará el mantenimiento de la seguridad del producto.
- No modifique ni intente reparar el aparato o la batería (según corresponda), excepto lo indicado en las instrucciones de uso y cuidado.
- Mantenga el quitanieves con cuidado; siga las instrucciones para cambiar los accesorios.

2.5 EL RANGO DE TEMPERATURE AMBIENTE RECOMENDADO:

Artículo	Temperatura
Rango de temperatura de almacenamiento del equipo quitanieve	-17 °C (1.4 °F) a 45 °C (113 °F)
Rango de temperatura de funcionamiento del equipo quitanieve	-17 °C (1.4 °F) a 45 °C (113 °F)
Rango de temperatura de carga de la batería	4 °C (39 °F) a 40 °C (104 °F)
Rango de temperatura de funcionamiento del cargador	4 °C (39 °F) a 40 °C (104 °F)
Rango de temperatura de descarga de la batería	-17 °C (1.4 °F) a 45 °C (113 °F)
Rango de temperatura de almacenamiento de la batería	0 °C (32 °F) a 45 °C (113 °F)

3 SÍMBOLOS EN EL PRODUCTO

En esta herramienta pueden utilizarse algunos de los siguientes símbolos. Le rogamos que los estudie y aprenda su significado. La interpretación correcta de estos símbolos le permitirá manejar la herramienta mejor y de manera más segura.

Símbolo	Explicación
	Corriente continua
	Precauciones que afectan a su seguridad.

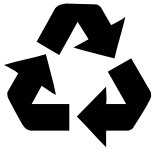
Símbolo	Explicación
	Debe leer y entender todas las instrucciones antes de manejar el producto, así como seguir todas las advertencias e instrucciones de seguridad.
	Lleve protección ocular.
	Los objetos proyectados pueden rebotar y provocar lesiones personales o daños materiales. Lleve indumentaria de protección y botas.
	Mantenga a los transeúntes a una distancia segura de la máquina.
	Mantenga las manos alejadas de la zona de descarga.
	Manténgase alejado de las piezas móviles. Mantenga todas las protecciones en su posición.
	Mantenga los pies lejos del rotor. Mantenga los pies y las manos alejados del rotor giratorio.
	Detenga el motor y retire la batería antes de dejar el producto.

4 NIVELES DE RIESGO

Las siguientes indicaciones y significados tienen como fin explicar los niveles de riesgo asociados a este producto.

SÍMBOLO	INDICACIÓN	SIGNIFICADO
	PELIGRO	Indica una situación de peligro inminente que, de no evitarse, provocará lesiones graves o incluso la muerte.
	ADVERTENCIA	Indica una situación de peligro potencial que, de no evitarse, podría provocar lesiones graves o incluso la muerte.
	PRECAUCIÓN	Indica una situación de peligro potencial que, de no evitarse, puede provocar lesiones leves o moderadas.
	PRECAUCIÓN	(Sin símbolo de alerta sobre seguridad) Indica una situación que puede provocar daños materiales.

5 ELIMINACIÓN DE BATERÍA SEGURA PARA EL MEDIO AMBIENTE



Los materiales tóxicos y corrosivos que figuran a continuación se encuentran en las baterías utilizadas en esta máquina: **Ion de litio, un material tóxico.**

▲ AVISO

Deseche todos los materiales tóxicos de una manera especificada para evitar la contaminación del medio ambiente. Antes de desechar una batería de ion de litio dañada o agotada, contacte con la agencia local de eliminación de residuos o con la agencia de protección ambiental local para obtener información e instrucciones específicas. Lleve las baterías a un centro de reciclaje o eliminación local, certificado para la eliminación de ion de litio.

▲ AVISO

Si la batería se agrieta o se rompe, con o sin fugas, no la recargue ni la utilice. Deséchela y sustitúyala por una batería nueva. ¡NO INTENTE REPARARLA! Para evitar lesiones y riesgos de incendio, explosión o descarga eléctrica, y para evitar daños al medio ambiente:

- Cubra los terminales de la batería con cinta adhesiva resistente.
- NO intente retirar o destruir ninguno de los componentes de la batería.
- NO intente abrir la batería.
- Si se produce una fuga, los electrolitos liberados son corrosivos y tóxicos. NO deje que la solución entre en contacto con los ojos o la piel, y no la ingiera.
- NO deseche estas baterías con la basura doméstica normal.
- NO incinere.
- NO lleve las baterías a lugares donde formarán parte de vertederos de residuos o flujos de residuos sólidos urbanos.
- Llévelas a un centro de reciclaje o eliminación certificado.

6 PROPUESTA 65

▲ AVISO

Este producto contiene una sustancia química conocida en el estado de California como causante de cáncer, defectos de nacimiento u otros daños reproductivos. El polvo generado por el lijado eléctrico, el serrado, el esmerilado, la perforación y otras actividades de construcción contiene sustancias químicas que se sabe que son causantes de cáncer, defectos de nacimiento u otros daños reproductivos. Algunos ejemplos de estas sustancias químicas son:

- Plomo de pinturas con base de plomo;
- Sílice cristalina de ladrillos y cemento y otros productos de albañilería;
- Arsénico y cromo de la madera tratada químicamente.

El riesgo de exposición a estas sustancias químicas varía según la frecuencia con la que realice este tipo de trabajo. Para reducir su exposición a estas sustancias químicas, trabaje en una zona bien ventilada y trabaje con equipos de seguridad aprobados, como máscaras antipolvo, que estén especialmente diseñadas para filtrar partículas microscópicas.

Conserve estas instrucciones.

7 INSTALACIÓN

▲ AVISO

No cambie ni utilice accesorios que no sean los recomendados por el fabricante.

▲ AVISO

No coloque la llave de seguridad ni la batería hasta que no haya montado todas las piezas.

7.1 DESEMBALAJE DE LA MÁQUINA

▲ AVISO

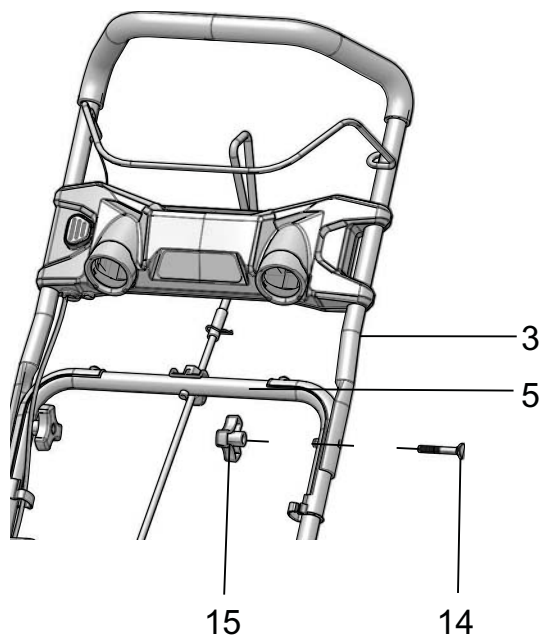
Asegúrese de montar correctamente la máquina antes del uso.

▲ AVISO

- Si las piezas presentan daños, no utilice la máquina.
- Si no tiene todas las piezas, no utilice la máquina.
- Si faltan piezas o hay piezas dañadas, hable con el centro de servicio.

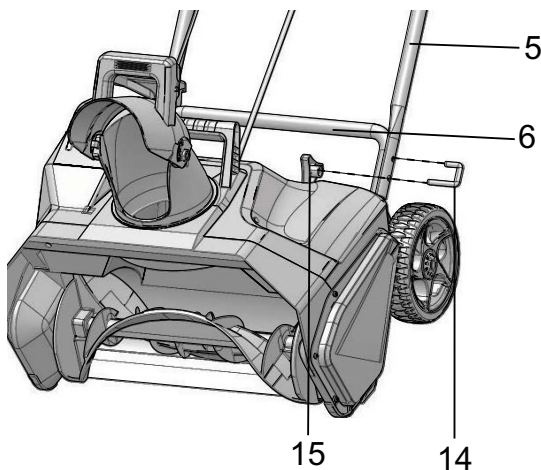
1. Abra el embalaje.
2. Lea la documentación que se encuentra en la caja.
3. Retire todas las piezas sin montar de la caja.
4. Retire la máquina de la caja.
5. Deseche la caja y el embalaje de conformidad con los reglamentos locales.

7.2 INSTALACIÓN DEL ASA SUPERIOR



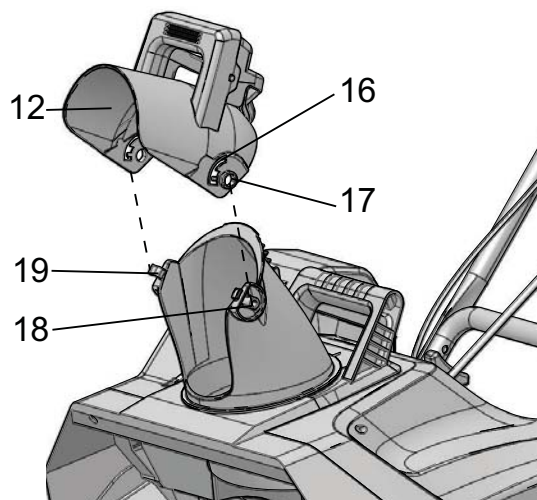
1. Alinee los orificios del asa intermedia (5) y el asa superior (3).
2. Inserte el perno (14) a través del asa intermedia (5) y el asa superior (3).
3. Apriete el mando del asa (15) en el perno (14).
4. Repita para el lado izquierdo/derecho.

7.3 INSTALACIÓN DEL ASA INTERMEDIA



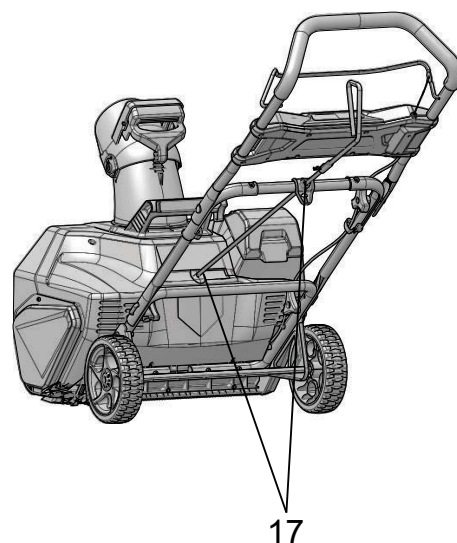
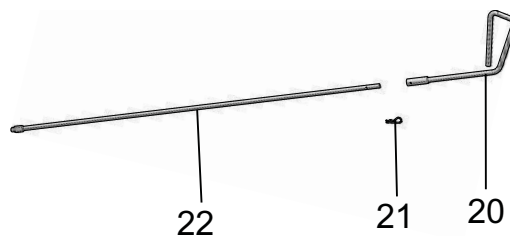
1. Alinee los orificios del asa intermedia (5) y el asa inferior (6).
2. Ponga los pernos (14) a través del asa intermedia (5) y el asa inferior (6).
3. Apriete el mando del asa (15) en el perno (14).
4. Repita para el lado izquierdo/derecho.

7.4 INSTALACIÓN DEL DEFLECTOR DEL CONDUCTO



1. Alinee las pestañas (18) en las ranuras (16) primero en un lado.
2. Una vez que haya acoplado una pestaña en una ranura, empuje hasta que escuche un clic. Repita en el otro lado.
3. Introduzca el deflector del conducto (12).
4. Asegúrese de que las pestañas (18) encajen en las ranuras (16) a ambos lados.
5. Asegúrese de que los postes (19) encajen en los orificios (17) a ambos lados.

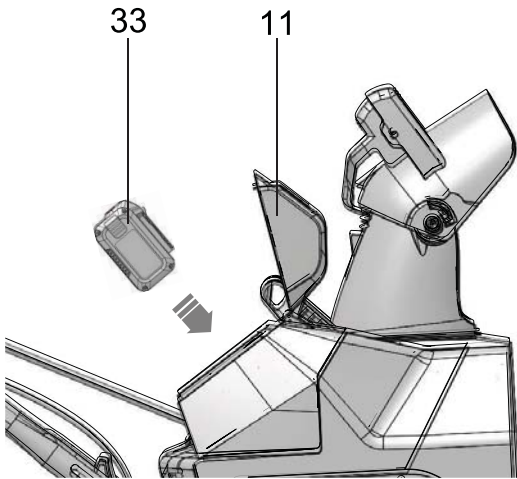
7.5 INSTALACIÓN DE LA VARILLA DE CONTROL DEL CONDUCTO



ES

1. Alinee los orificios (17) en la varilla de control del conducto superior (20) y la varilla de control del conducto inferior (22).
2. Introduzca el pasador de enganche (21) por los orificios (17).
3. Alinee las flechas en el conducto de descarga y la plataforma del quitanieves. Asegúrese de que el conducto de descarga esté orientado hacia delante.
4. Coloque el extremo de la varilla de control del conducto (4) en línea recta a través del orificio (17) en el soporte. Mantenga el asa de agarre hacia abajo.
5. Introduzca la varilla de control del conducto (4) en el orificio (17) detrás de la plataforma.
6. Gire el asa de agarre hacia la izquierda y la derecha para asegurarse de que el conducto de descarga se mueva en la misma dirección.

7.6 INSTALACIÓN DE LA BATERÍA



▲ AVISO

- Si la batería o el cargador ha sufrido daños, sustituya la batería o el cargador.
- Detenga la máquina y espere hasta que el motor se pare antes de instalar o retirar la batería.
- Debe leer, conocer y seguir las instrucciones del manual de la batería y el cargador.

1. Abra la puerta de la batería (11).
2. Alinee las nervaduras de elevación de la batería (33) con las ranuras del compartimento de la batería.
3. Introduzca la batería (33) en el compartimento de la batería hasta que la batería (33) encaje en su posición.
4. Cuando escuche un clic, la batería está instalada.
5. Cierre la puerta de la batería (11).

7.7 RETIRADA DE LA BATERÍA

1. Abra la puerta de la batería (11).

2. Pulse y mantenga pulsado el botón de desbloqueo de la batería.
3. Retire la batería de la máquina.

8 FUNCIONAMIENTO

▲ AVISO

Lleve protección ocular durante el funcionamiento.

8.1 FUNCIONAMIENTO EN CONDICIONES DE FRÍO

La temperatura de funcionamiento seguro de la batería varía de 1°F (-17°C) a 113°F (45°C).

▲ AVISO

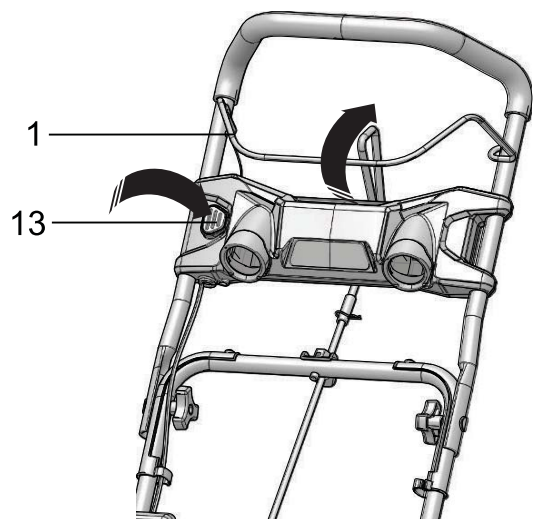
No almacene ni cargue la batería en el exterior.

La batería debe cargarse y almacenarse en interiores antes de utilizar la máquina.

Si el aparato no se pone en marcha:

- retire la batería de la máquina,
- recargue la batería por 15 minutos en una zona cálida, o cuando la luz de carga se ilumine en verde.
- Instale la batería de nuevo en el aparato.

8.2 PUESTA EN MARCHA DE LA MÁQUINA



1. Mientras mantiene presionado el botón del interruptor de seguridad (13), tire de la palanca de seguridad (1) para arrancar la máquina.

i NOTA

Baje el rascador al suelo para quitar la nieve.

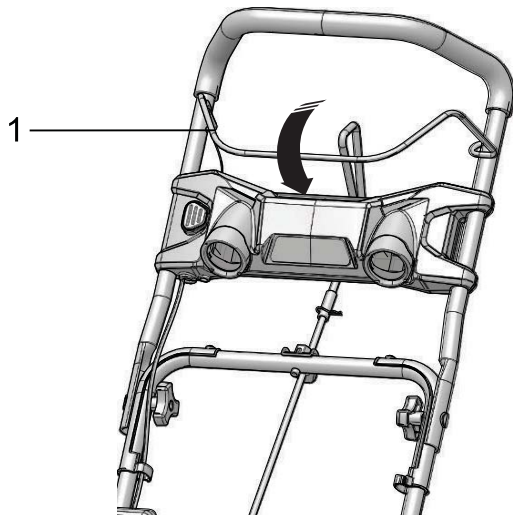
▲ AVISO

Mantenga a los transeúntes a una distancia segura de la máquina.

▲ AVISO

Examine la superficie de trabajo. Retire todas las piedras, palos, alambres, huesos y otros residuos que puedan rebotar debido al rotor giratorio.

8.3 DETENCIÓN DE LA MÁQUINA



1. Suelte la palanca de seguridad (1) para detener la máquina.

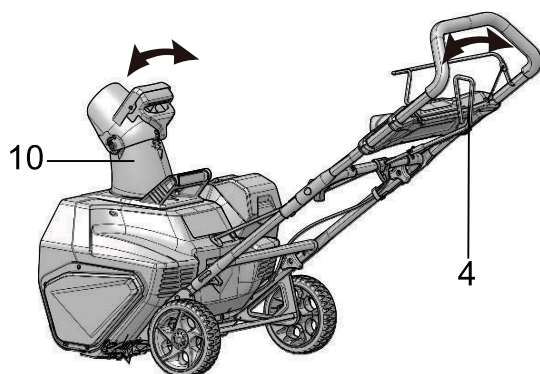
▲ AVISO

Espere hasta que el rotor se detenga por completo antes de volver a arrancar la máquina. No apague y encienda la máquina rápidamente.

▲ AVISO

Retire siempre la batería tras finalizar el trabajo.

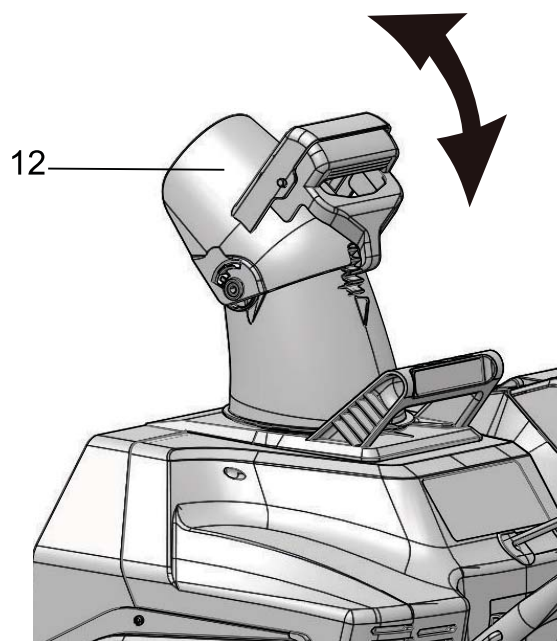
8.4 AJUSTE DEL CONDUCTO DE DESCARGA



Puede ajustar el conducto de descarga 180° para cambiar la dirección de la nieve.

1. Gire el asa de agarre (4) hacia la izquierda para mover el conducto de descarga (10) a la izquierda.
2. Gire el asa de agarre (4) hacia la derecha para mover el conducto de descarga (10) a la derecha.

8.5 AJUSTE DEL DEFLECTOR DEL CONDUCTO



Puede ajustar el deflector del conducto hacia arriba y abajo para cambiar la distancia de lanzamiento de la nieve.

▲ AVISO

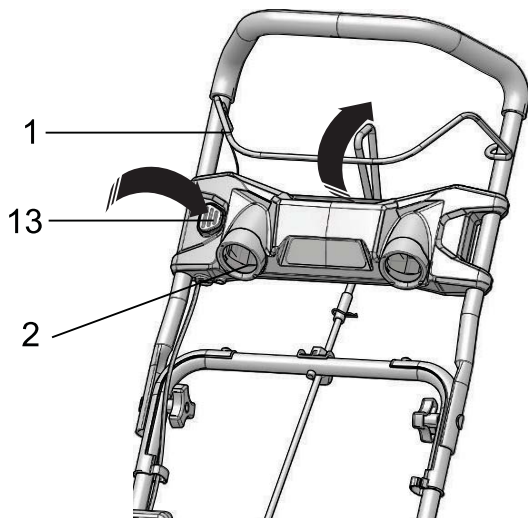
Suelte el interruptor de seguridad antes de ajustar el deflector del conducto.

▲ AVISO

No empuje el deflector tan hacia delante que haya un hueco entre el deflector y el conducto.

1. Presione y mantenga presionado el gatillo en el deflector del conducto (12).
2. Mueva el deflector del conducto (12) hacia arriba para aumentar la distancia de la nieve.
3. Mueva el deflector del conducto (12) hacia abajo para disminuir la distancia de la nieve.

8.6 LUCES DELANTERAS LED



Encendido de las luces delanteras:

1. Pulse y mantenga pulsado el botón del interruptor de seguridad (13).
2. Tire del interruptor de seguridad (1) en la dirección del manillar para encender las luces delanteras (2).

Apagado de las luces delanteras:

3. Suelte el interruptor de seguridad (1).

8.7 CONSEJOS DE FUNCIONAMIENTO

- Si es posible, quite la nieve en la dirección del viento.
- En vientos fuertes, baje el deflector del conducto para dirigir la nieve al suelo.
- Cuando finalice el trabajo, deje que la máquina funcione durante un tiempo para evitar la formación de hielo en el conducto de descarga.
- Si la nieve es más profunda de 8" (20 cm), disminuya la velocidad y deje que la máquina funcione a su propio ritmo.
- No utilice el rascador para quitar nieve compactada y hielo.

9 MANTENIMIENTO

▲ AVISO

Retire la batería de la máquina antes de realizar tareas de mantenimiento.

▲ PRECAUCIÓN

Utilice únicamente piezas de repuesto aprobadas.

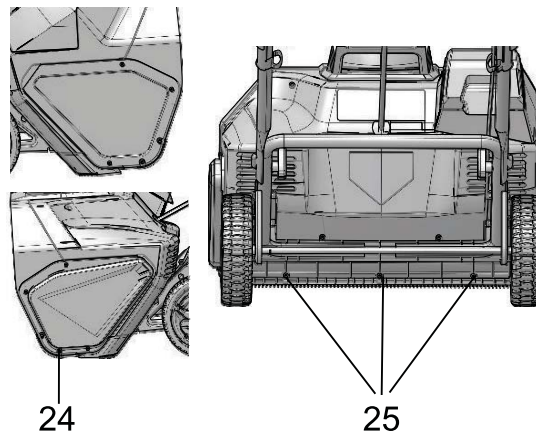
▲ PRECAUCIÓN

No utilice disolventes o detergentes fuertes en la carcasa o los componentes de plástico.

9.1 MANTENIMIENTO GENERAL

- Antes de cada uso, examine la máquina para comprobar si hay piezas dañadas, ausentes o sueltas como tornillos, tuercas, pernos y tapas.
- Apriete correctamente todos los elementos de fijación y las tapas.
- Limpie los restos de nieve de la máquina con un cepillo.

9.2 SUSTITUCIÓN DEL RASCADOR



▲ AVISO

Utilice únicamente rascadores de repuesto aprobados.

▲ AVISO

Lleve guantes gruesos o enrolle un trapo alrededor de la cuchilla cuando la toque.

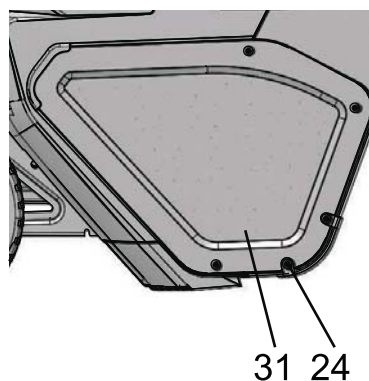
1. Retire los tornillos (24) de cada placa lateral.
2. Retire los tornillos de montaje (25) y los espaciadores y deseche el rascador usado.
3. Instale el rascador nuevo.
4. Reinstale los tornillos de montaje (25) y los espaciadores y apriételes.

9.3 SUSTITUCIÓN DEL ROTOR

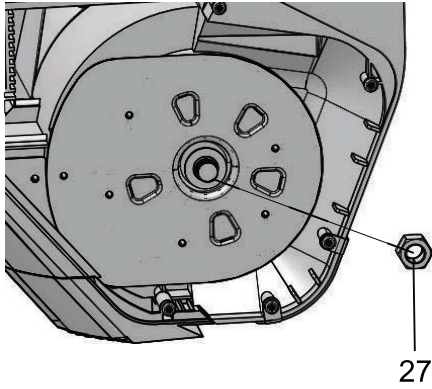
▲ AVISO

Utilice únicamente rascadores de repuesto aprobados.

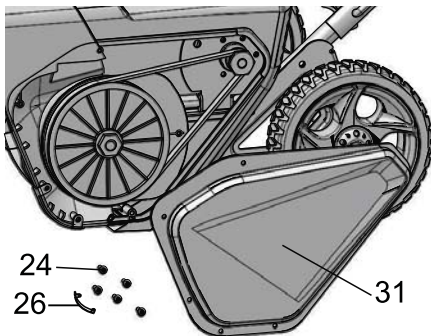
1. Retire los 5 tornillos (24) y la almohadilla de desgaste lateral (26) que fijan la cubierta lateral derecha (31).



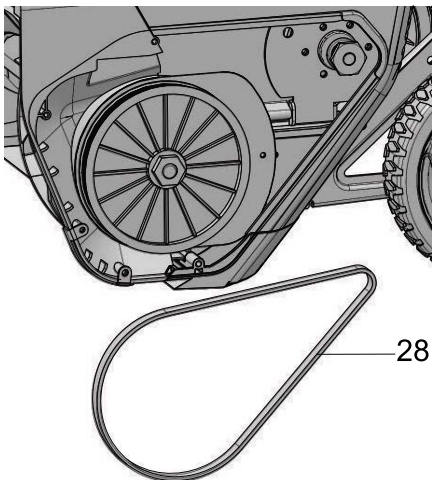
2. Retire la tuerca (27).



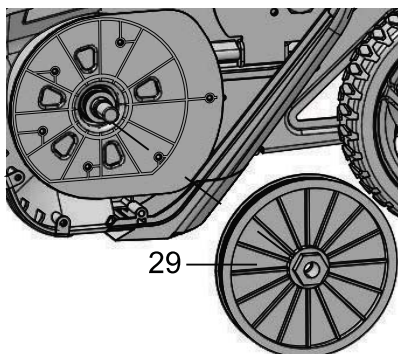
3. Retire los 5 tornillos (24) y la almohadilla de desgaste lateral (26) que fijan la cubierta del lado izquierdo (31).



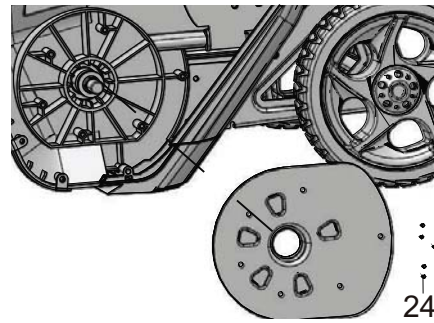
4. Retire la correa (28).



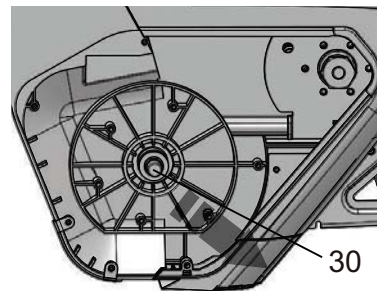
5. Con una llave de tubo, retire la polea grande (29).



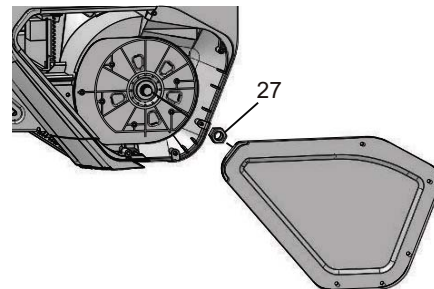
6. Retire los tornillos (24) que fijan la placa lateral izquierda.



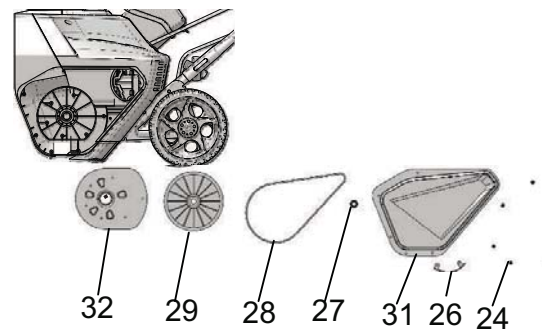
7. Tire del eje (30) y retire el rotor usado; instale el nuevo rotor.



8. Reinstale la tuerca (27) y la cubierta lateral derecha.



9. Vuelva a instalar la placa lateral izquierda (32), la polea grande (29), la correa (28) y la cubierta lateral izquierda (31).



9.4 ALMACENAMIENTO DE LA MÁQUINA

- Limpie la máquina antes del almacenamiento.
- Asegúrese de que el motor no esté caliente cuando almacene la máquina.
- Asegúrese de que la máquina no tenga piezas sueltas o dañadas. Si es necesario, siga estos pasos/estas instrucciones:
 - Sustituya las piezas dañadas.
 - Apriete los pernos.
 - Hable con una persona de un centro de servicio aprobado.
- Almacene la máquina en una zona seca.
- Asegúrese de que los niños no puedan acercarse a la máquina.

10 SOLUCIÓN DE PROBLEMAS

Problema	Posible causa	Solución
El asa no está en posición.	Los pernos no se han acoplado correctamente.	Ajuste la altura del asa y asegúrese de que los mandos y los pernos se hayan alineado correctamente.

Problema	Posible causa	Solución
La máquina no se pone en marcha.	La batería no está cargada.	Cargue la batería siguiendo los procedimientos del manual de la batería y el cargador.
	El interruptor está defectuoso.	El interruptor debe ser sustituido por un centro de servicio autorizado.
	La batería está demasiado fría.	Retire la batería del quitanieves. Coloque la batería en el cargador y deje que se cargue durante 10 minutos o hasta que el piloto de carga cambie a verde. Retire del cargador e instale en el quitanieves para el uso.
	La batería puede necesitar servicio o sustitución.	Llame a la línea de asistencia telefónica gratuita, en el 1-855-470-4267 o sustituya la batería.
El motor está encendido, pero el rotor no gira.	La correa ha sufrido daños.	Sustituya la correa.
Queda una capa fina de nieve.	El rascador ha sufrido daños.	Sustituya el rascador.

* Si no puede encontrar la solución a estos problemas, avise a 1-855-470-4267.

11 DATOS TÉCNICOS

Tensión	48 V
Velocidad sin carga	1800 rpm
Ancho de retirada	20 in. (50.8 cm)
Profundidad de retirada	10 in. (25.4 cm)
Tamaño del rotor	16 in. (40.6 cm)
Peso (sin batería)	33.6 lbs (15.25 kg)
Batería	48B4AH y otras series BAF
Cargador	CAM803 y otras series CAM

12 GARANTÍA LIMITADA



Por la presente Greenworks garantiza este producto, al comprador original con el comprobante de compra, durante un periodo de tres (3) años frente a defectos en materiales, piezas o mano de obra. A su entera discreción Greenworks reparará o sustituirá cualquiera y todas las piezas que resulten ser defectuosas, con un uso normal, sin coste alguno para el cliente. Esta garantía es válida únicamente para unidades que se hayan utilizado para uso personal que no han sido arrendadas o alquiladas para uso industrial/comercial y cuyo mantenimiento se ha realizado de acuerdo con las instrucciones del manual del propietario suministrado con el producto nuevo.

ARTÍCULOS NO CUBIERTOS POR LA GARANTÍA:

1. Cualquier pieza que no funcione debido a mal uso, uso comercial, abuso, negligencia, accidente, mantenimiento inadecuado o alteración; o
2. La unidad, si no ha sido utilizada o mantenida de acuerdo con el manual del propietario; o
3. Desgaste normal, excepto en lo indicado a continuación;
4. Artículos de mantenimiento de rutina tales como lubricantes, afilado de cuchillas;
5. Deterioro normal del acabado exterior debido al uso o la exposición.

LÍNEA DE ASISTENCIA TELEFÓNICA:

Puede contactar con el servicio de garantía llamando a nuestra línea de asistencia telefónica gratuita, a 1-855-470-4267.

COSTES DE TRANSPORTE:

Los costes de transporte por el desplazamiento de cualquier unidad o accesorio de equipos eléctricos son responsabilidad del comprador. Es responsabilidad del comprador pagar los costes de transporte de cualquier pieza enviada para su sustitución bajo esta garantía, a menos que dicha devolución sea solicitada por escrito por Greenworks.

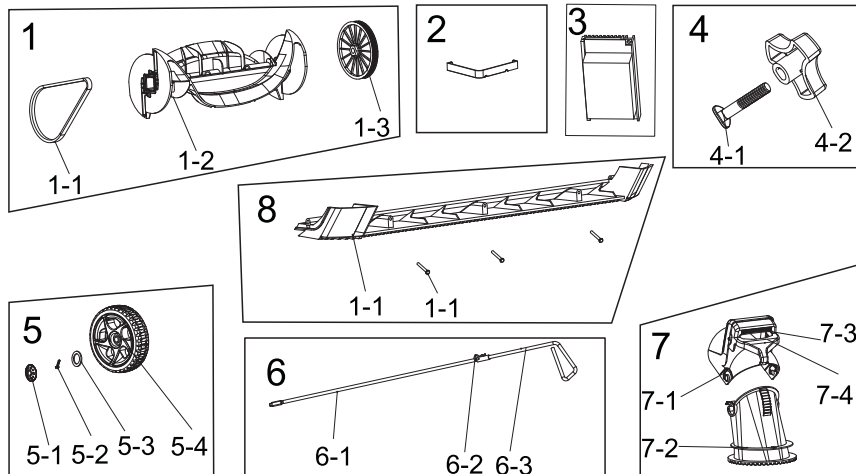
Dirección en EE.UU.:

Greenworks Tools
P.O. Box 1238
 Mooresville, NC 28115

Dirección en Canadá:

Greenworks Tools Canada Inc.
1110 Stellar Drive Unit 102
Newmarket, ON, L3Y 7B7

13 VISTA DESPIEZADA



Nº	Nº pieza	Cant.	Descripción
1	R0201075-00	1	Conjunto del rotor
2	R0200283-00	1	Barra de respaldo
3	R0201801-00	1	Placa de circuitos impresos
4	RB341291179	1	Conjunto de cierre de leva
5	R0200165-00	1	Conjunto de las ruedas
6	R0200166-00	1	Conjunto de varilla de control
7	R0200173-00	1	Conjunto de deflector del conducto
8	R0200282-00	1	Kit de rascadores