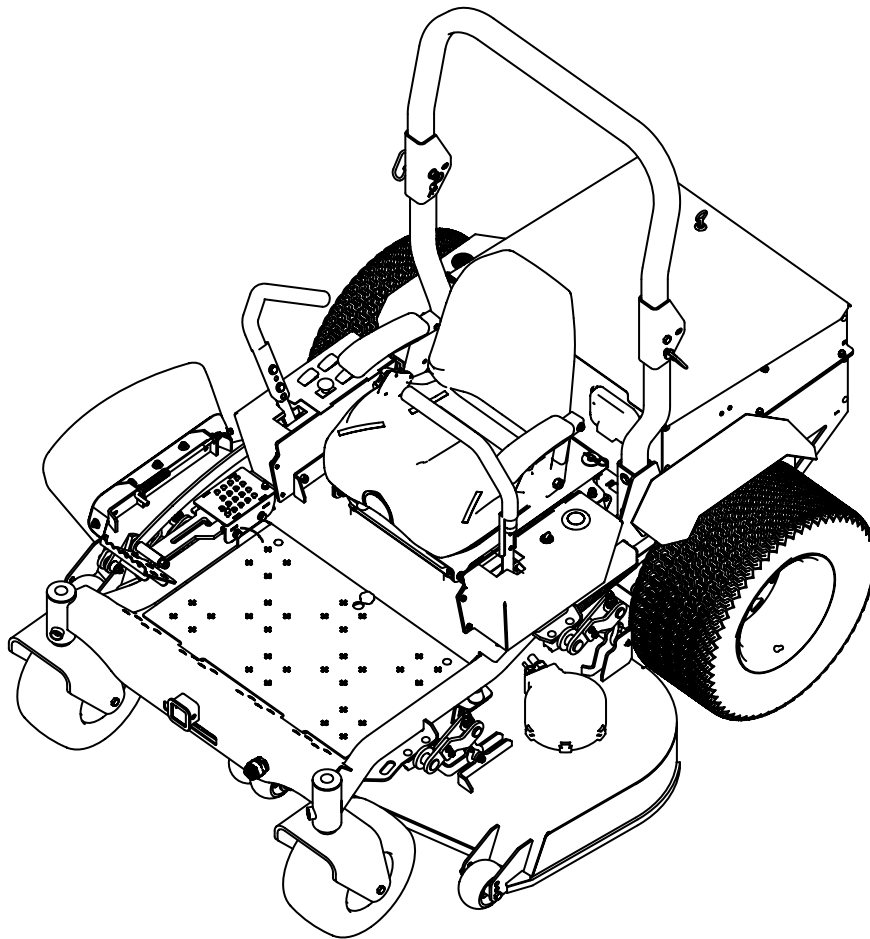


GREENWORKS

COMMERCIAL

Zero Turn Mower
2522202 (Model No.CZ52R)
2522302 (Model No.CZ60R)



Parts Manual

TOLL-FREE HELPLINE: 1-855-470-4267

www.GreenworksCommercial.com

 Read all safety rules and instructions carefully before operating this tool.

CONTENTS

Labels

| | |
|----------------------------|----|
| LABELS-WARNING/SAFETY..... | 15 |
| LABELS-BRAND/MODEL..... | 16 |
| LABELS-FUNCTION..... | 17 |

Body and structures

| | |
|--------------------|----|
| FRAME..... | 21 |
| BATTERY COVER..... | 22 |
| ROPS..... | 29 |

Electrical System

| | |
|--------------------------|----|
| BATTERY AND CHARGER..... | 31 |
| CONTROLLERS AND BOX..... | 32 |
| WIRE HARNESS..... | 33 |
| SWITCHES..... | 35 |
| LIGHTS..... | 39 |

Deck System

| | |
|---|----|
| DECK, MOTORS AND BLADES..... | 41 |
| DECK COMPONENTS..... | 42 |
| DISCHARGE CHUTE..... | 43 |
| DECKLIFT..... | 45 |
| DECKLIFT FRONT ROTATING SHAFT ASSEMBLY..... | 46 |
| DECKLIFT REAR ROTATING SHAFT ASSEMBLY..... | 47 |

Drive System

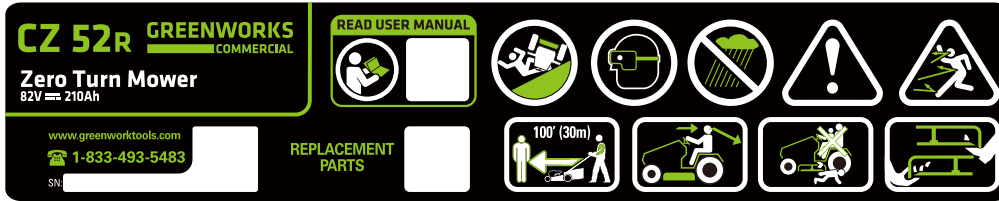
| | |
|-----------------------------------|----|
| WHEELS..... | 51 |
| DRIVE MOTOR AND TRANSMISSION..... | 55 |

Operator System

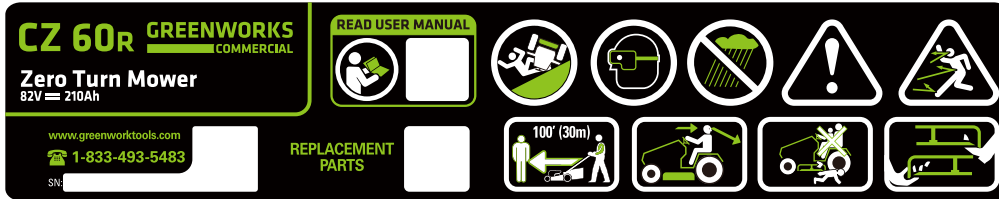
| | |
|-----------------------------------|----|
| SEAT..... | 61 |
| CONTROL ARMS..... | 63 |
| RH CONTROL ARM SUB STRUCTURE..... | 64 |
| LH CONTROL ARM SUB STRUCTURE..... | 65 |

NOTE: ILLUSTRATIONS MAY OR MAY NOT REPRESENT THE ACTUAL ASSEMBLIES AND IT IS NOT RECOMMENDED TO USE THIS MANUAL AS A GUIDE TO ASSEMBLE OR DISASSEMBLE THE MOWER.

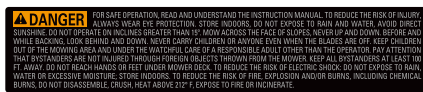
LABELS-WARNING/SAFETY



15-1 (for 2522202)



15-1 (for 2522302)



15-2



15-3

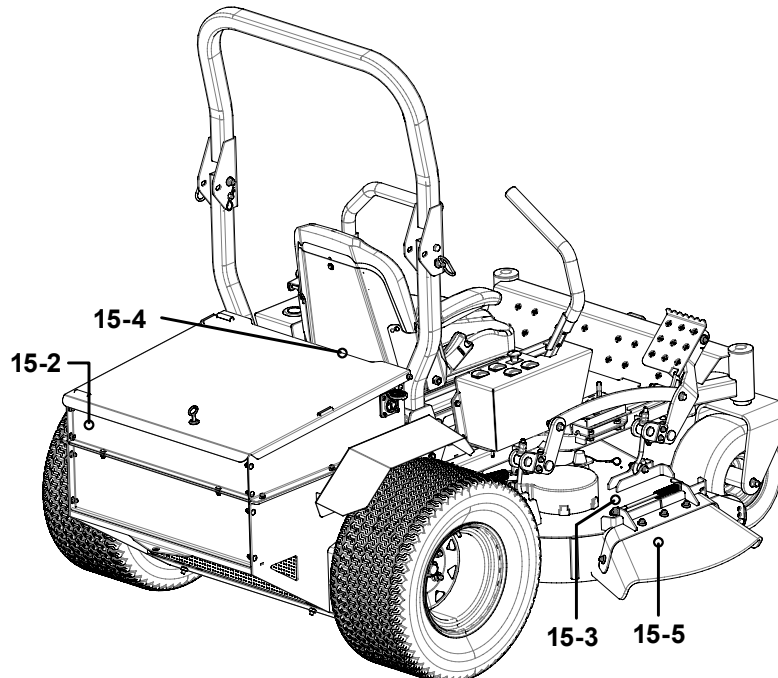
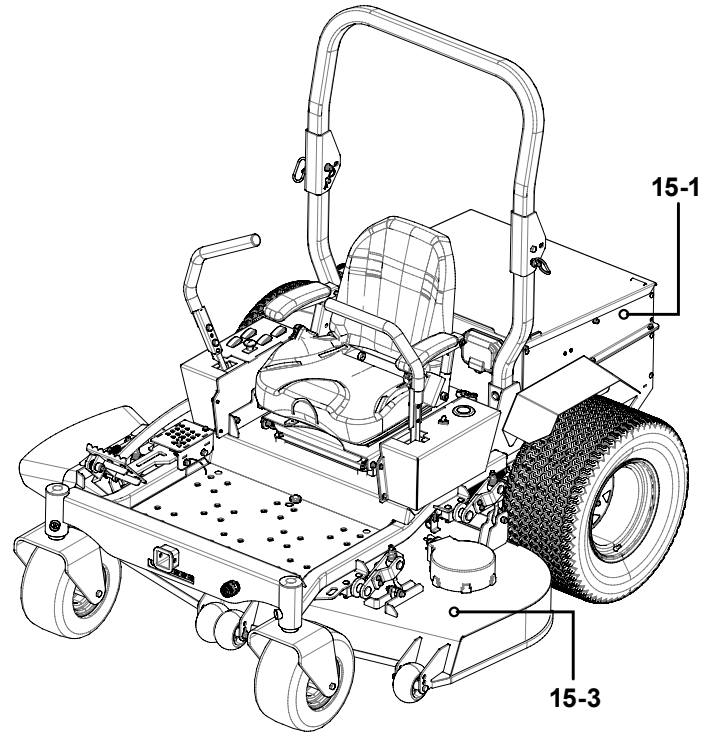


15-4



15-5

| ITEM NO. | PART NO. | DESCRIPTION | QTY |
|----------|---------------------------|-------------------|-----|
| 15-01 | R0202928-00 (for 2522202) | 52in safety label | 1 |
| | R0202932-00 (for 2522302) | 60in safety label | 1 |
| 15-02 | R0201623-00 | Warning label | 1 |
| 15-03 | R0202922-00 | No standing label | 2 |
| 15-04 | R0201625-00 | CP65 label | 1 |
| 15-05 | R0201627-00 | Keep H/F away | 1 |



LABELS-BRAND/MODEL

GREENWORKS

The logo consists of a solid green horizontal bar followed by the word "COMMERCIAL" in a bold, green, sans-serif font.

16-1

82 VOLT LITHIUM MAX

16-2



16-3

CZ 52R

16-4 (for 2522202)

52"

16-5 (for 2522202)

CZ 60R

16-4 (for 2522302)

60"

16-5 (for 2522302)

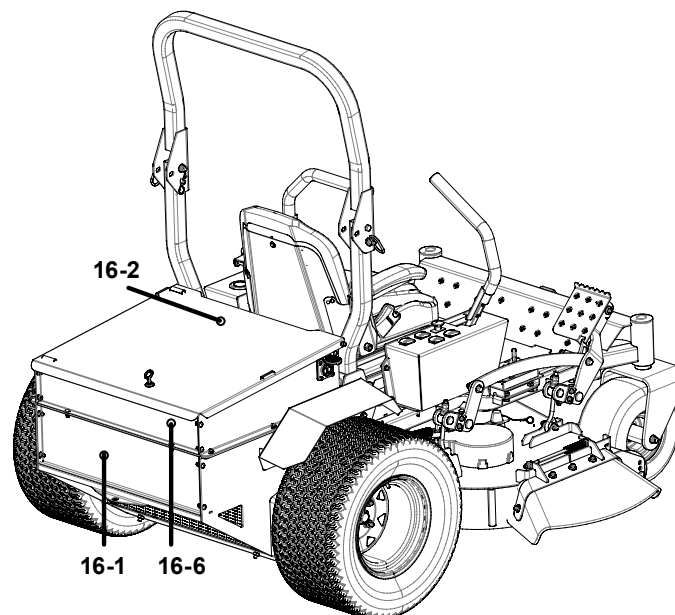
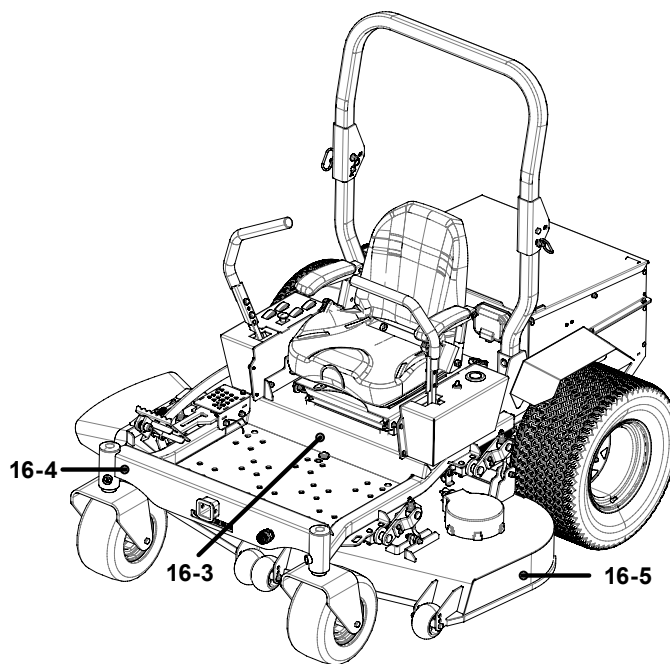
CZ 52R

16-6 (for 2522202)

CZ 60R

16-6 (for 2522302)

| ITEM NO. | PART NO. | DESCRIPTION | QTY |
|----------|---------------------------|-----------------------------|-----|
| 16-01 | R0202916-00 | Greenworks COMMERCIAL label | 1 |
| 16-02 | R0202920-00 | 82V li-ion max label | 1 |
| 16-03 | R0202921-00 | GC LOGO label | 1 |
| 16-04 | R0202926-00 (for 2522202) | 52in model label_Black | 1 |
| | R0202930-00 (for 2522302) | 60in model label_Black | 1 |
| 16-05 | R0202918-00 (for 2522202) | 52in deck size label | 1 |
| | R0202929-00 (for 2522302) | 60in deck size label | 1 |
| 16-06 | R0202927-00 | 52in model label_Green | 1 |
| | R0202931-00 | 60in model label_Green | 1 |



LABELS-FUNCTION



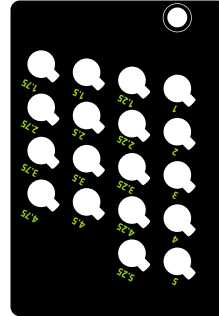
17-1



17-2

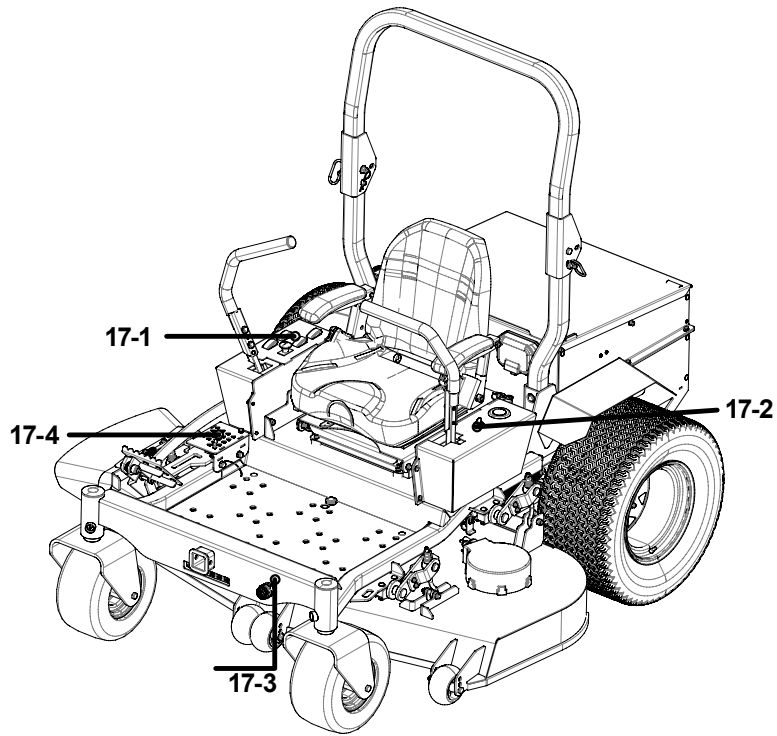


17-3

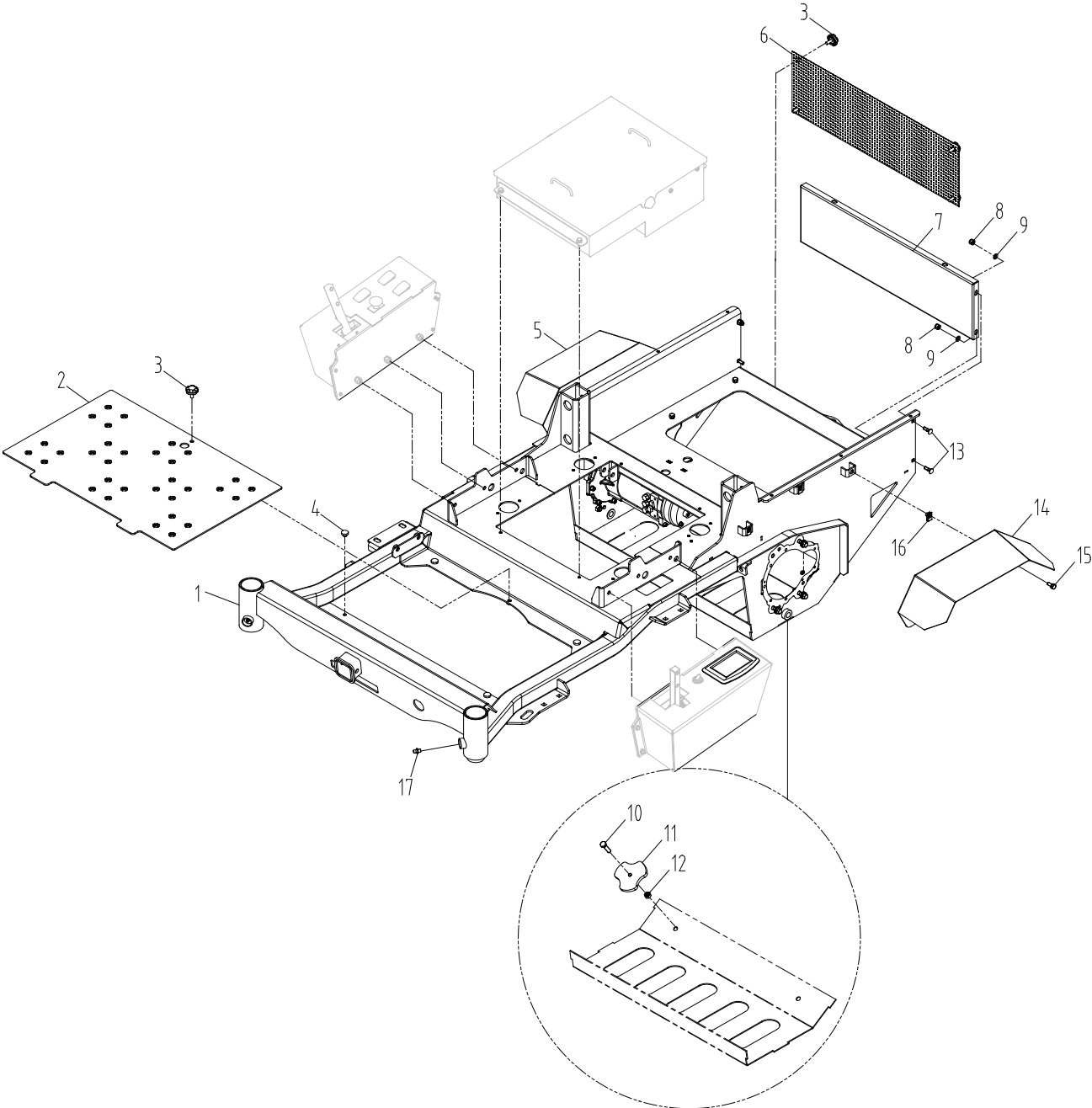


17-4

| ITEM NO. | PART NO. | DESCRIPTION | QTY |
|----------|-------------|---------------------------------|-----|
| 17-01 | R0202925-00 | Control panel-L label | 1 |
| 17-02 | R0202924-00 | Control panel-R label | 1 |
| 17-03 | R0202919-00 | ETO socket label | 1 |
| 17-04 | R0202917-00 | Cutting height adjustment label | 1 |

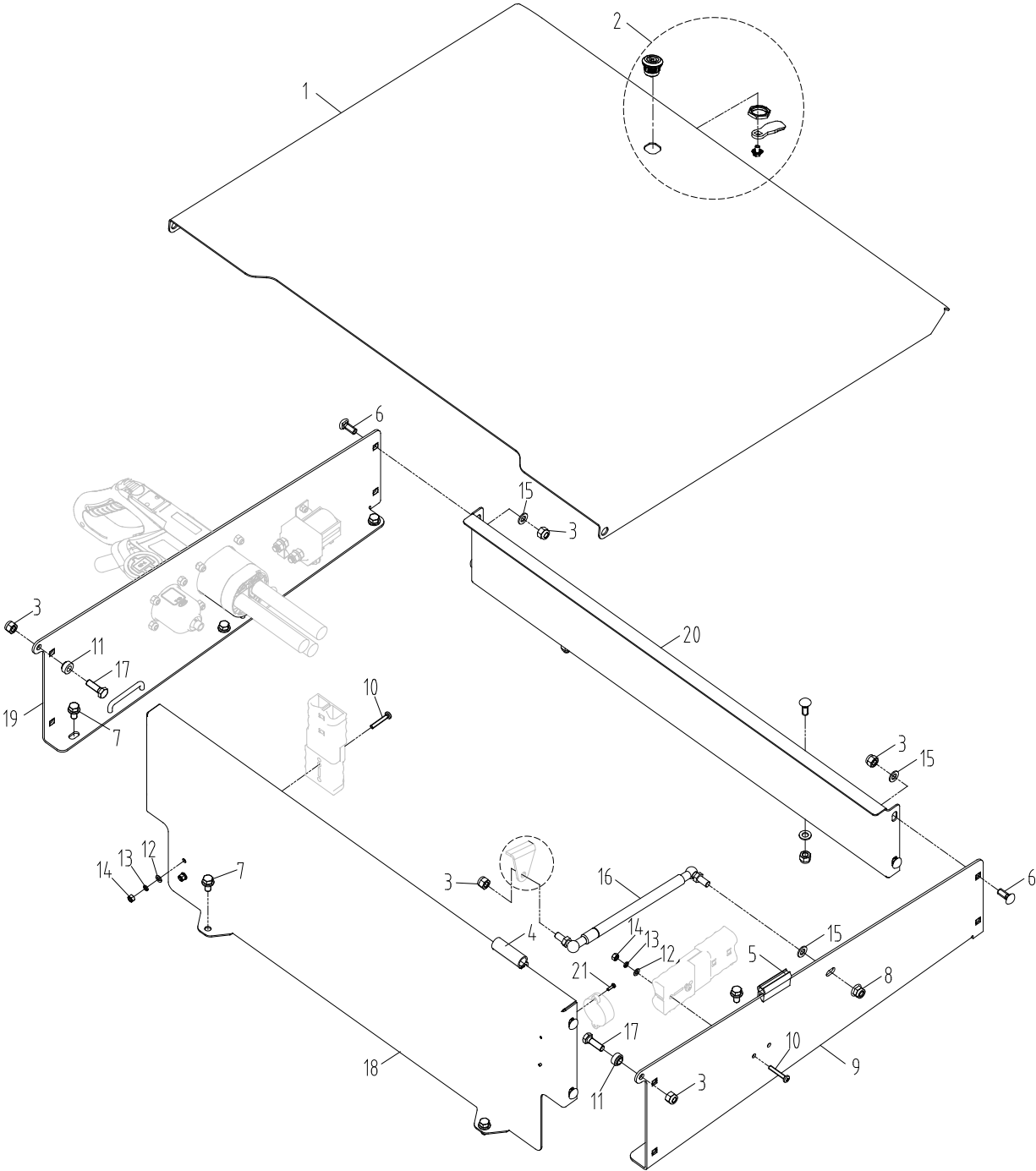


FRAME



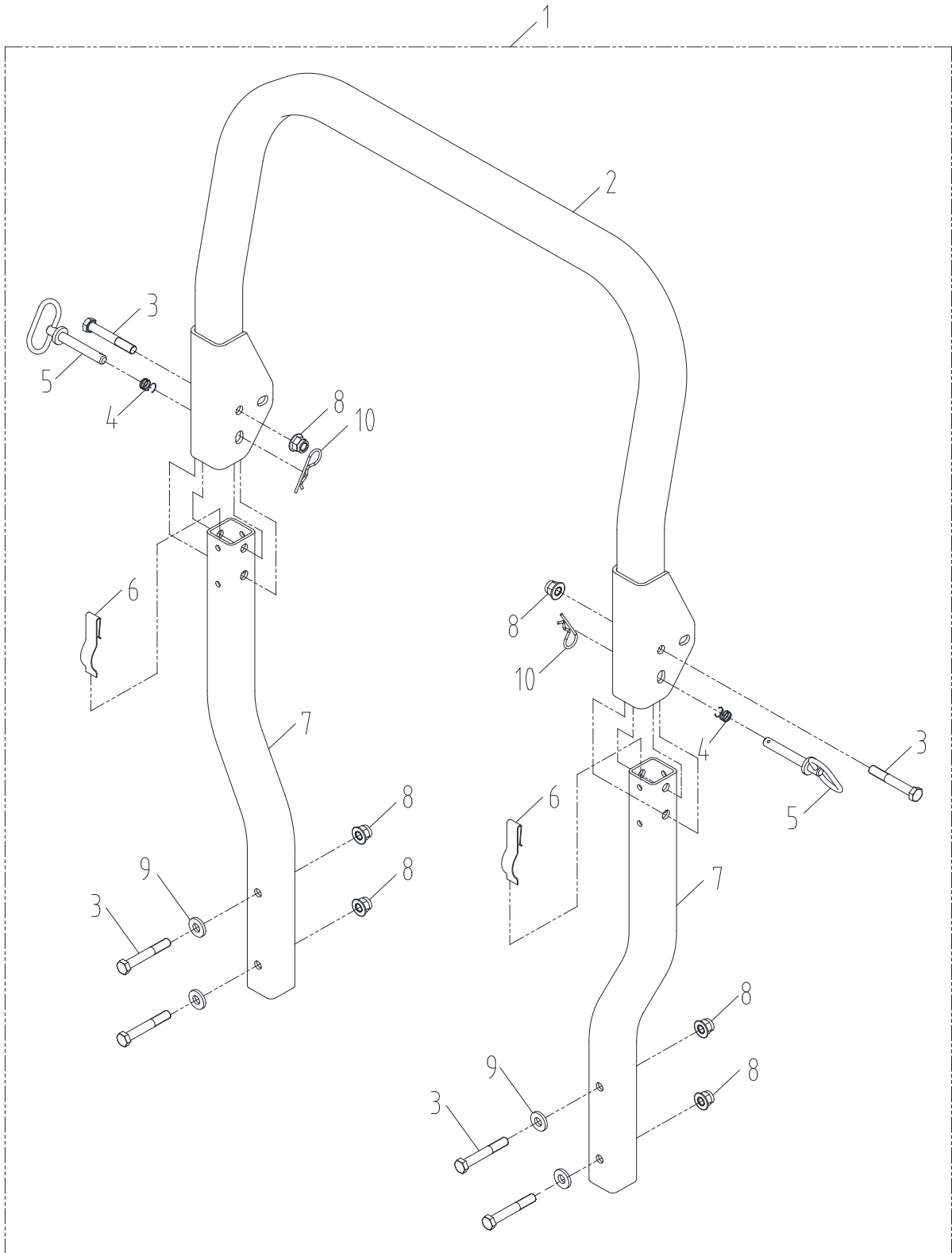
| ITEM NO. | PART NO. | DESCRIPTION | QTY |
|----------|-------------|------------------------|-----|
| 21-01 | R0201325-00 | Frame weldment | 1 |
| 21-02 | R0201285-00 | Floor plate | 1 |
| 21-03 | R0200376-00 | Knob bolt | 5 |
| 21-04 | R0200377-00 | Foot pad | 4 |
| 21-05 | R0201293-00 | Right fender | 1 |
| 21-06 | R0201296-00 | Rear baffle | 1 |
| 21-07 | R0201298-00 | Lower back cover | 1 |
| 21-08 | R0200520-00 | Lock nut M8 | 4 |
| 21-09 | R0200548-00 | Washer | 4 |
| 21-10 | R0200495-00 | Bolt M10×40 | 2 |
| 21-11 | R0201300-00 | Manual release plate | 2 |
| 21-12 | R0200539-00 | Nut M10 | 2 |
| 21-13 | R0200527-00 | Bolt M8×25 | 4 |
| 21-14 | R0201315-00 | Left fender | 1 |
| 21-15 | R0200534-00 | Bolt assembly | 6 |
| 21-16 | R0200549-00 | Nut M8 | 6 |
| 21-17 | R0200684-00 | Grease zerk fitting M6 | 2 |

BATTERY COVER



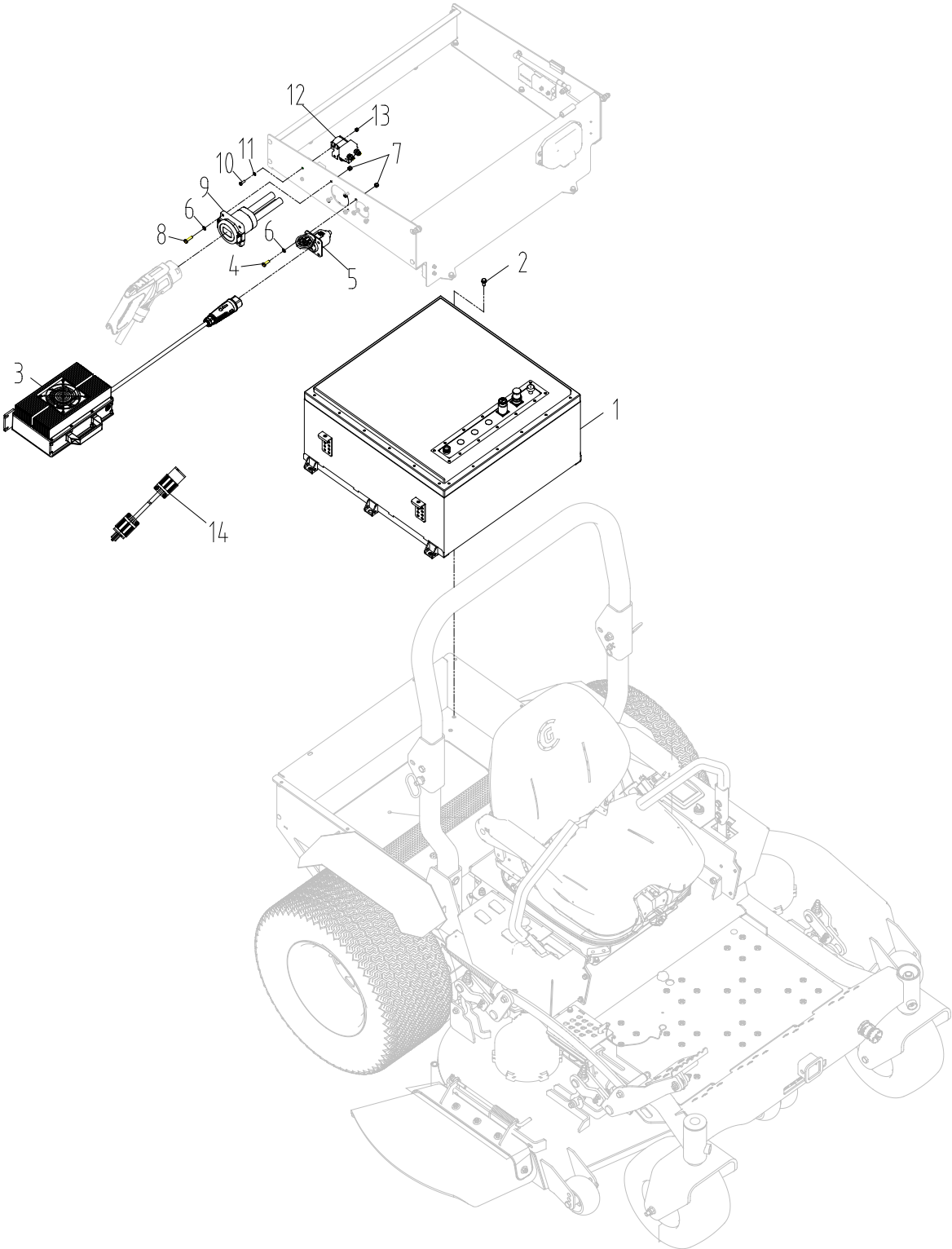
| ITEM NO. | PART NO. | DESCRIPTION | QTY |
|----------|-------------|----------------------------|------|
| 22-01 | R0201266-00 | Upper cover plate weldment | 1 |
| 22-02 | R0200399-00 | Rotary tongue lock | 1 |
| 22-03 | R0200520-00 | Lock nut M8 | 13 |
| 22-04 | R0200621-00 | Rubber strip | 1.4m |
| 22-05 | R0200619-00 | Rubber strip | 1.2m |
| 22-06 | R0200526-00 | Bolt M8×20 | 10 |
| 22-07 | R0200380-00 | Bolt assembly | 6 |
| 22-08 | R0200496-00 | Lock nut M8 | 1 |
| 22-09 | R0201269-00 | Left side plate | 1 |
| 22-10 | R0200530-00 | Screw M5×30 | 2 |
| 22-11 | R0201271-00 | Spacer | 2 |
| 22-12 | R0200545-00 | Washer | 2 |
| 22-13 | R0200538-00 | Spring washer | 2 |
| 22-14 | R0200511-00 | Nut M5 | 2 |
| 22-15 | R0200548-00 | Washer | 11 |
| 22-16 | R0200400-00 | Gas Spring | 1 |
| 22-17 | R0200396-00 | Bolt M8x25 | 2 |
| 22-18 | R0201277-00 | Front plate | 1 |
| 22-19 | R0201282-00 | Right side plate | 1 |
| 22-20 | R0201273-00 | Rear cover | 1 |
| 22-21 | R0201500-00 | Screw M3×10 | 2 |

ROPS



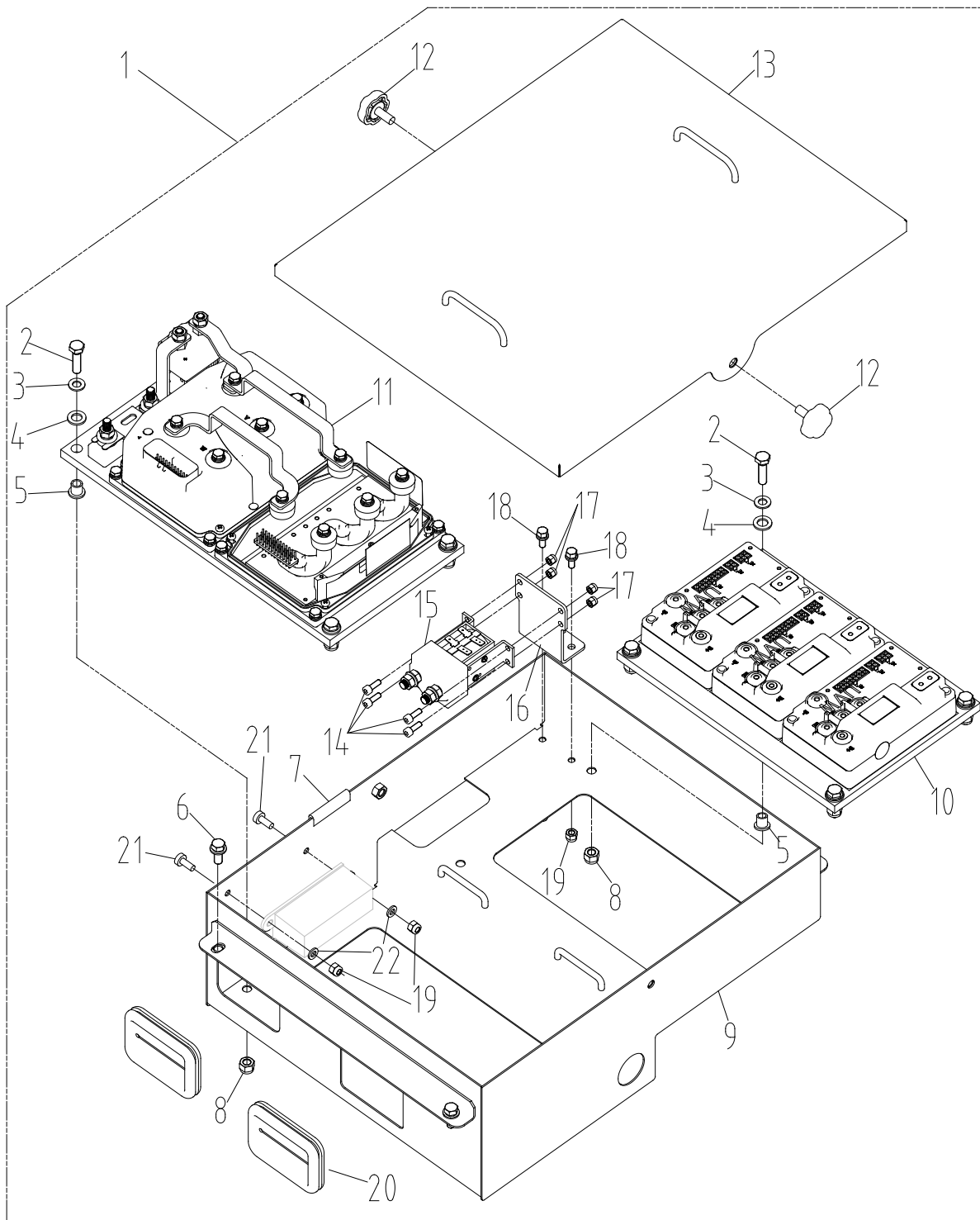
| ITEM NO. | PART NO. | DESCRIPTION | QTY |
|----------|-------------|---------------------|-----|
| 29-01 | R0201406-00 | ROPS assembly | 1 |
| 29-02 | R0201294-00 | Upper ROPS weldment | 1 |
| 29-03 | R0200401-00 | Bolt M12×80 | 6 |
| 29-04 | R0200402-00 | Spring | 2 |
| 29-05 | R0201295-00 | Quick-Release Pin | 2 |
| 29-06 | R0200403-00 | Strip Spring | 2 |
| 29-07 | R0201297-00 | Lower ROPS tube | 2 |
| 29-08 | R0200369-00 | Lock nut M12 | 6 |
| 29-09 | R0201299-00 | Washer | 4 |
| 29-10 | R0200469-00 | Pin clevis | 2 |

BATTERY AND CHARGER



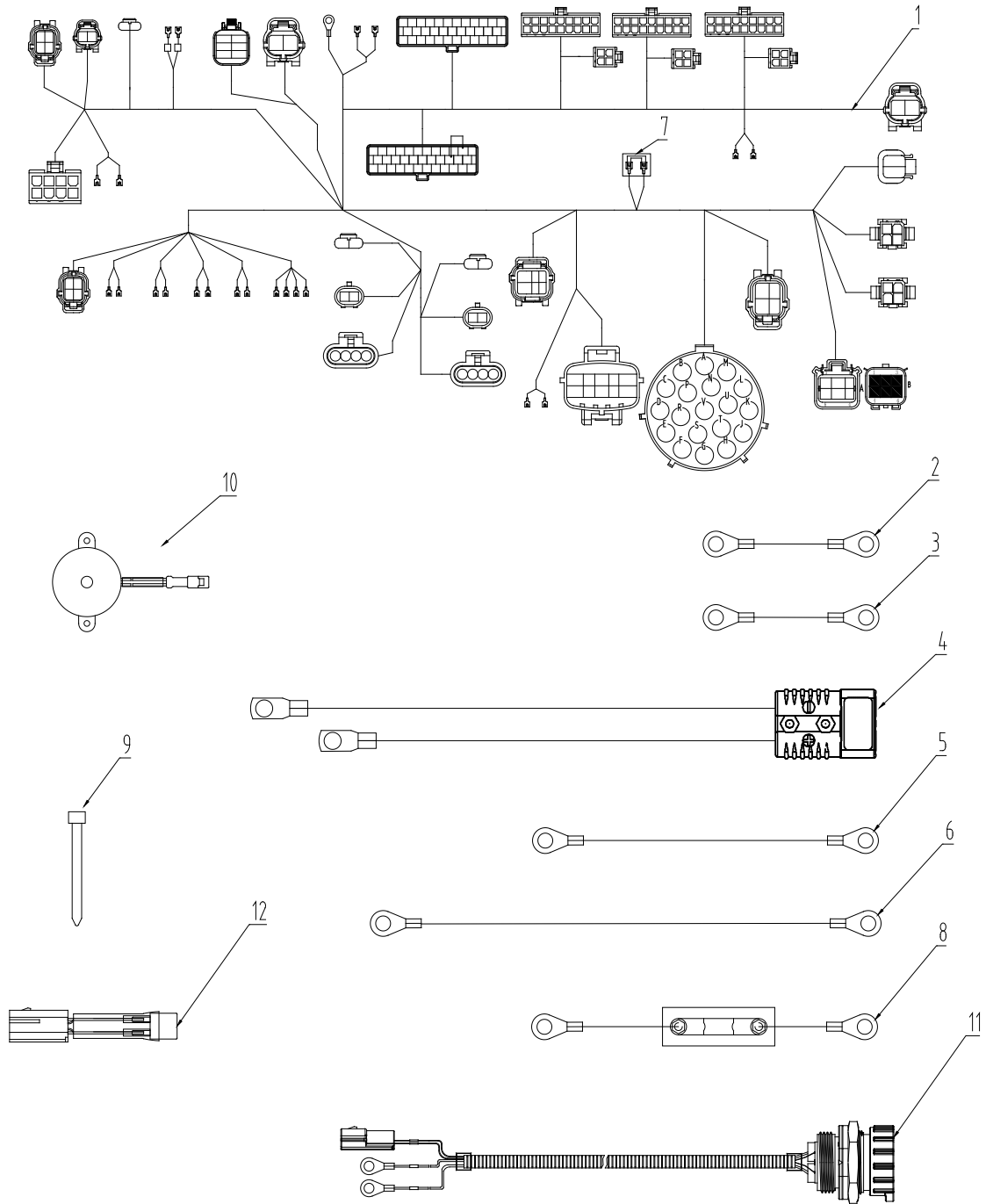
| ITEM NO. | PART NO. | DESCRIPTION | QTY |
|----------|-------------|--|-----|
| 31-1 | R0201161-00 | Lithium battery 16 kWh | 1 |
| 31-2 | R0200534-00 | Bolt assembly | 4 |
| 31-3 | R0201227-00 | Charger 120V/15A - 240V/22A, 2100 Watt | 1 |
| 31-4 | R0200546-00 | Screw M6x20 | 4 |
| 31-5 | R0200729-00 | Charger plug | 1 |
| 31-6 | R0200547-00 | Washer | 8 |
| 31-7 | R0200518-00 | Lock nut M6 | 8 |
| 31-8 | R0200570-00 | Screw M6x25 | 4 |
| 31-9 | R0201274-00 | Socket (Fast charger) | 1 |
| 31-10 | R0201714-00 | Screw M5x15 | 2 |
| 31-11 | R0200545-00 | Washer | 2 |
| 31-12 | R0201715-00 | Charging contactor | 1 |
| 31-13 | R0200517-00 | Lock nut M5 | 2 |
| 31-14 | R0202724-00 | Adapter 240/120V | 1 |

CONTROLLERS AND BOX



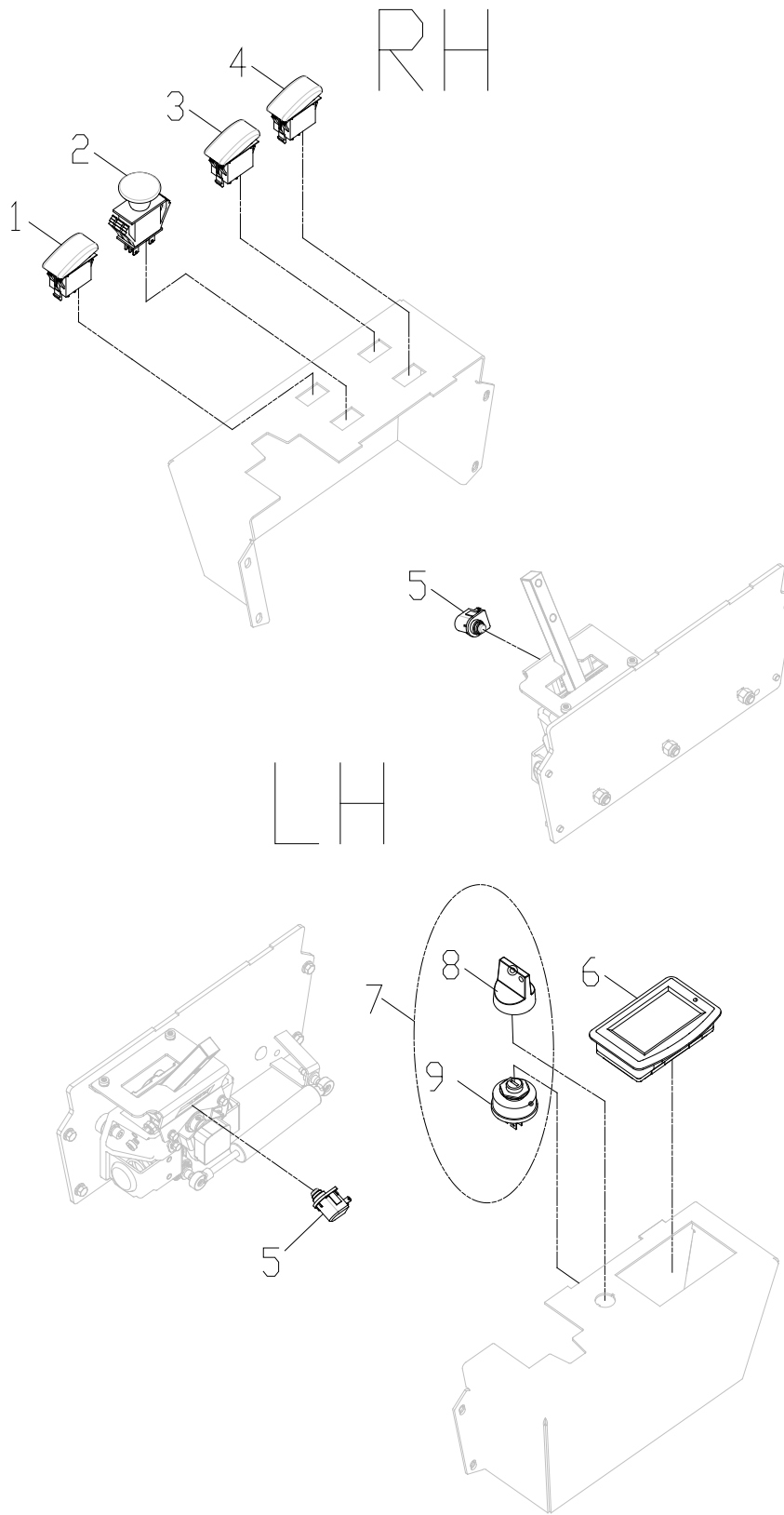
| ITEM NO. | PART NO. | DESCRIPTION | QTY |
|----------|--------------------------|---------------------------------|-------|
| 32-01 | R0201717-00 | Control box assembly | 1 |
| 32-02 | R0200535-00 | Bolt M8X30 | 8 |
| 32-03 | R0200548-00 | Washer | 8 |
| 32-04 | R0200393-00 | Washer | 8 |
| 32-05 | R0200392-00 | Casing | 8 |
| 32-06 | R0200534-00 | Bolt assembly | 4 |
| 32-07 | R0200620-00 | Thin bumper strip | 1.8 m |
| 32-08 | R0200520-00 | Lock nut M8 | 8 |
| 32-09 | R0201284-00 | Controller lower cover weldment | 1 |
| 32-10 | R0200716-00 | cutter controller | 1 |
| 32-11 | R0202865-00(For 2522302) | Drive controller | 1 |
| | R0202866-00(For 2522202) | | 1 |
| 32-12 | R0200376-00 | Knob bolt | 2 |
| 32-13 | R0201401-00 | Controller upper cover weldment | 2 |
| 32-14 | R0201287-00 | Screw M5×14 | 4 |
| 32-15 | R0201288-00 | Contactor | 1 |
| 32-16 | R0201290-00 | Mounting plate | 1 |
| 32-17 | R0200517-00 | Lock nut M8 | 4 |
| 32-18 | R0200532-00 | Bolt assembly | 2 |
| 32-19 | R0200518-00 | Lock nut M6 | 4 |
| 32-20 | R0201292-00 | Grommet | 2 |
| 32-21 | R0201339-00 | Screw M6×15 | 2 |
| 32-22 | R0200518-00 | Washer | 2 |

WIRE HARNESS



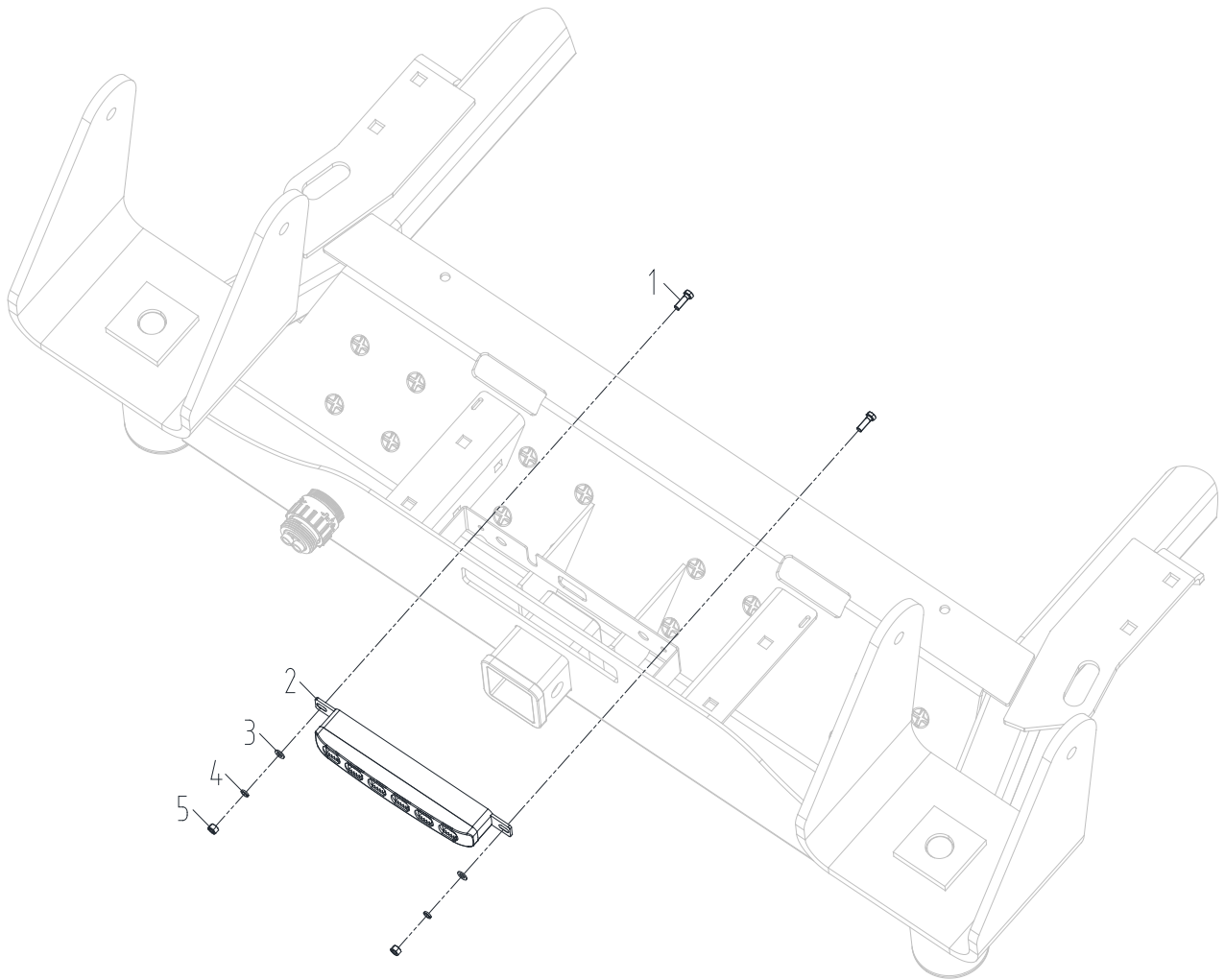
| ITEM NO. | PART NO. | DESCRIPTION | QTY |
|----------|-------------|---------------------------------|-----|
| 33-01 | R0201419-00 | Wiring harness assembly | 1 |
| 33-02 | R0200731-00 | Blade controller cable positive | 2 |
| 33-03 | R0200732-00 | Blade controller cable negative | 2 |
| 33-04 | R0201432-00 | Machine power harness | 1 |
| 33-05 | R0200734-00 | Drive controller cable positive | 1 |
| 33-06 | R0200735-00 | Drive controller cable negative | 1 |
| 33-07 | R0200847-00 | Fuse, 20A (regular) | 1 |
| 33-08 | R0201434-00 | Accessory power cord | 1 |
| 33-09 | R0200390-00 | Zip tie | 50 |
| 33-10 | R0201437-00 | Buzzer | 1 |
| 33-11 | R0201431-00 | Accessory socket | 1 |
| 33-12 | R0201433-00 | Relay | 1 |

SWITCHES



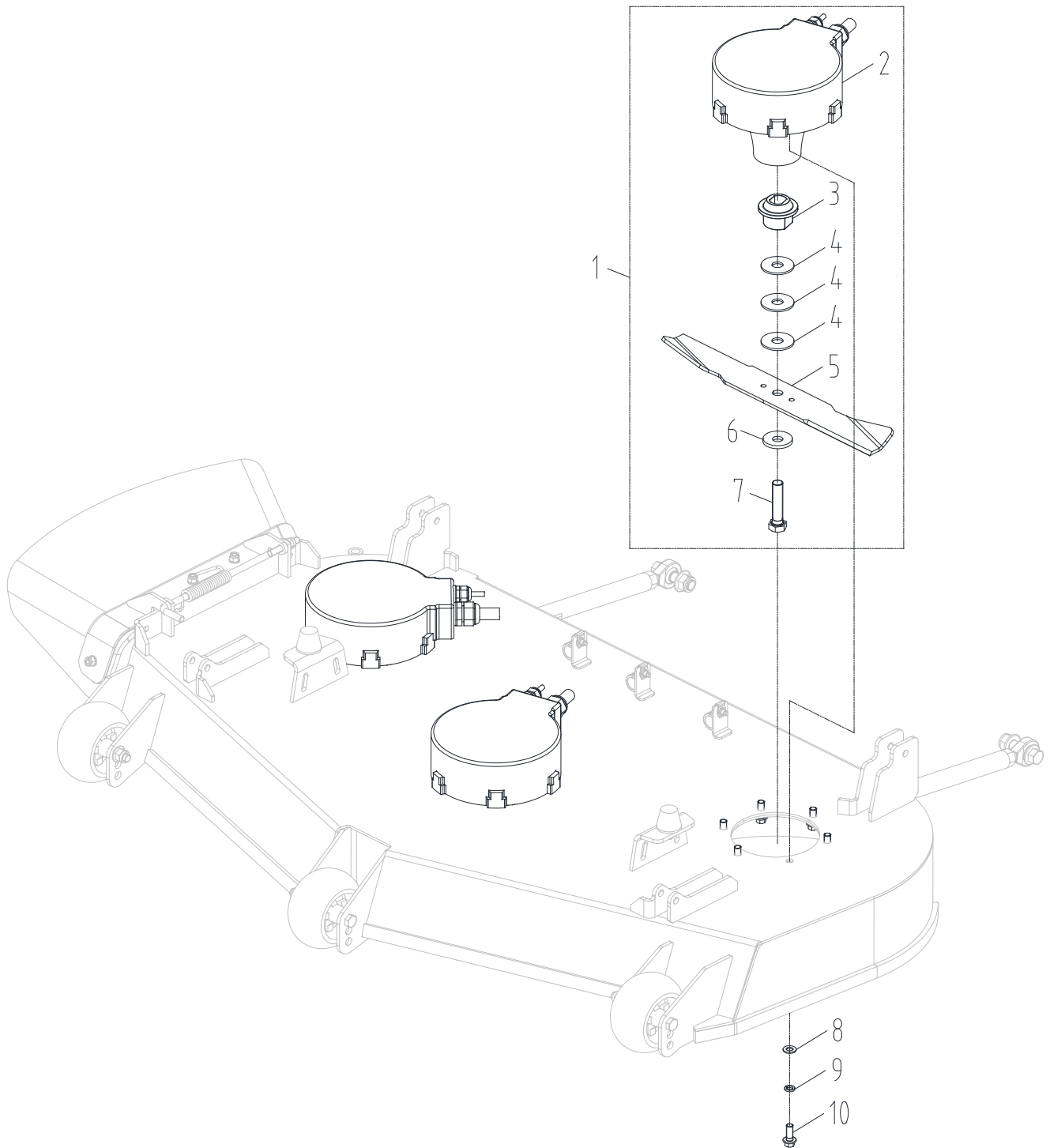
| ITEM NO. | PART NO. | DESCRIPTION | QTY |
|----------|-------------|--------------------------|-----|
| 35-01 | R0200721-00 | Blade speed switch | 1 |
| 35-02 | R0200717-00 | PTO switch | 1 |
| 35-03 | R0201337-00 | Attachment ON/OFF switch | 1 |
| 35-04 | R0200719-00 | Drive speed switch | 1 |
| 35-05 | R0200366-00 | Parking switch | 2 |
| 35-06 | R0202101-00 | Display | 1 |
| 35-07 | R0202104-00 | Ignition switch with key | 1 |
| 35-08 | R0202103-00 | Key | 1 |
| 35-09 | R0202102-00 | Ignition switch | 1 |

LIGHTS



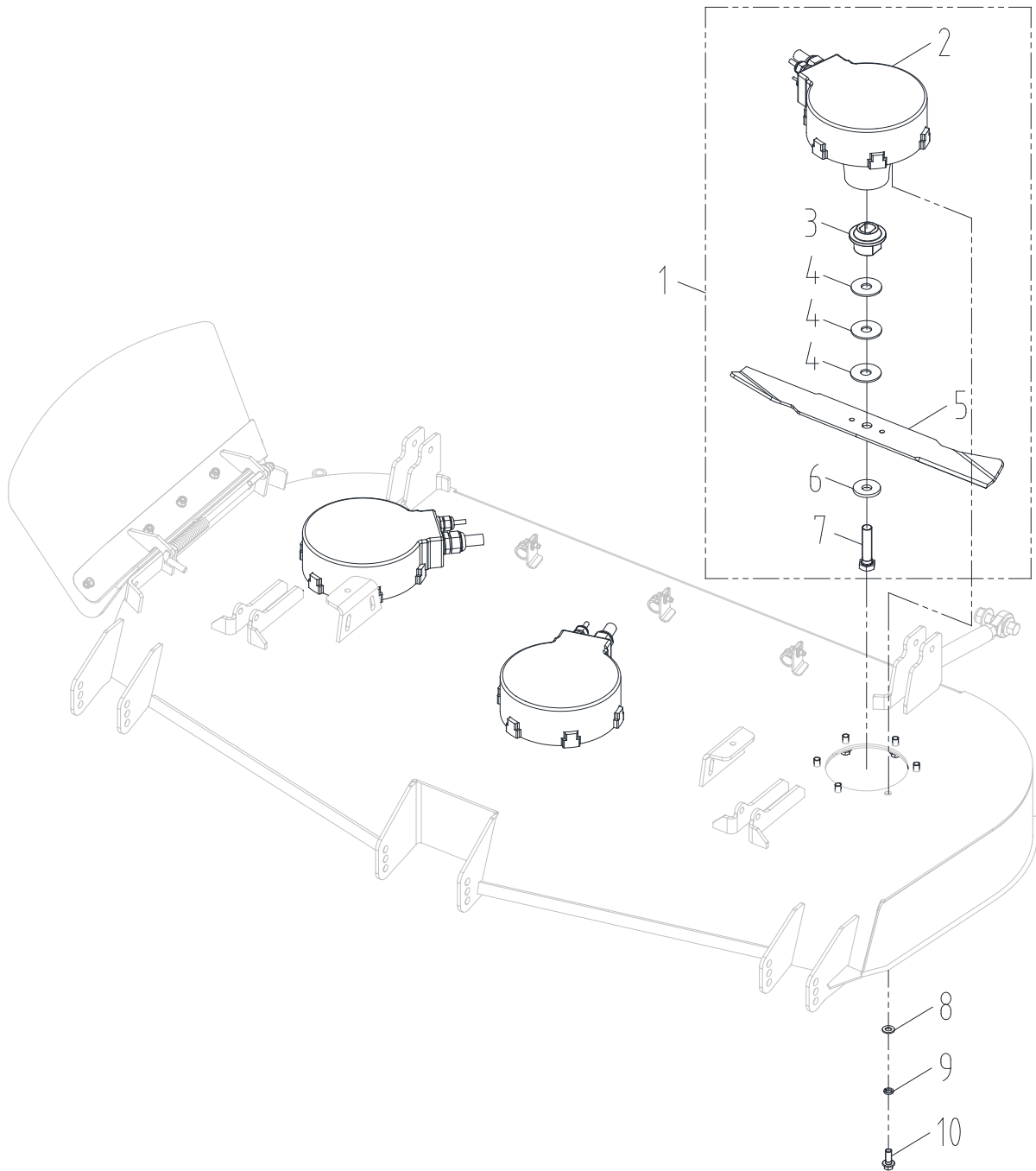
| ITEM NO. | PART NO. | DESCRIPTION | QTY |
|-----------------|-----------------|--------------------|------------|
| 39-01 | R0200551-00 | Bolt M5×16 | 2 |
| 39-02 | R0200668-00 | Light LED | 1 |
| 39-03 | R0200545-00 | Washer | 2 |
| 39-04 | R0200538-00 | Spring washer | 2 |
| 39-05 | R0200511-00 | Nut M5 | 2 |

DECK, MOTORS AND BLADES (2522202)



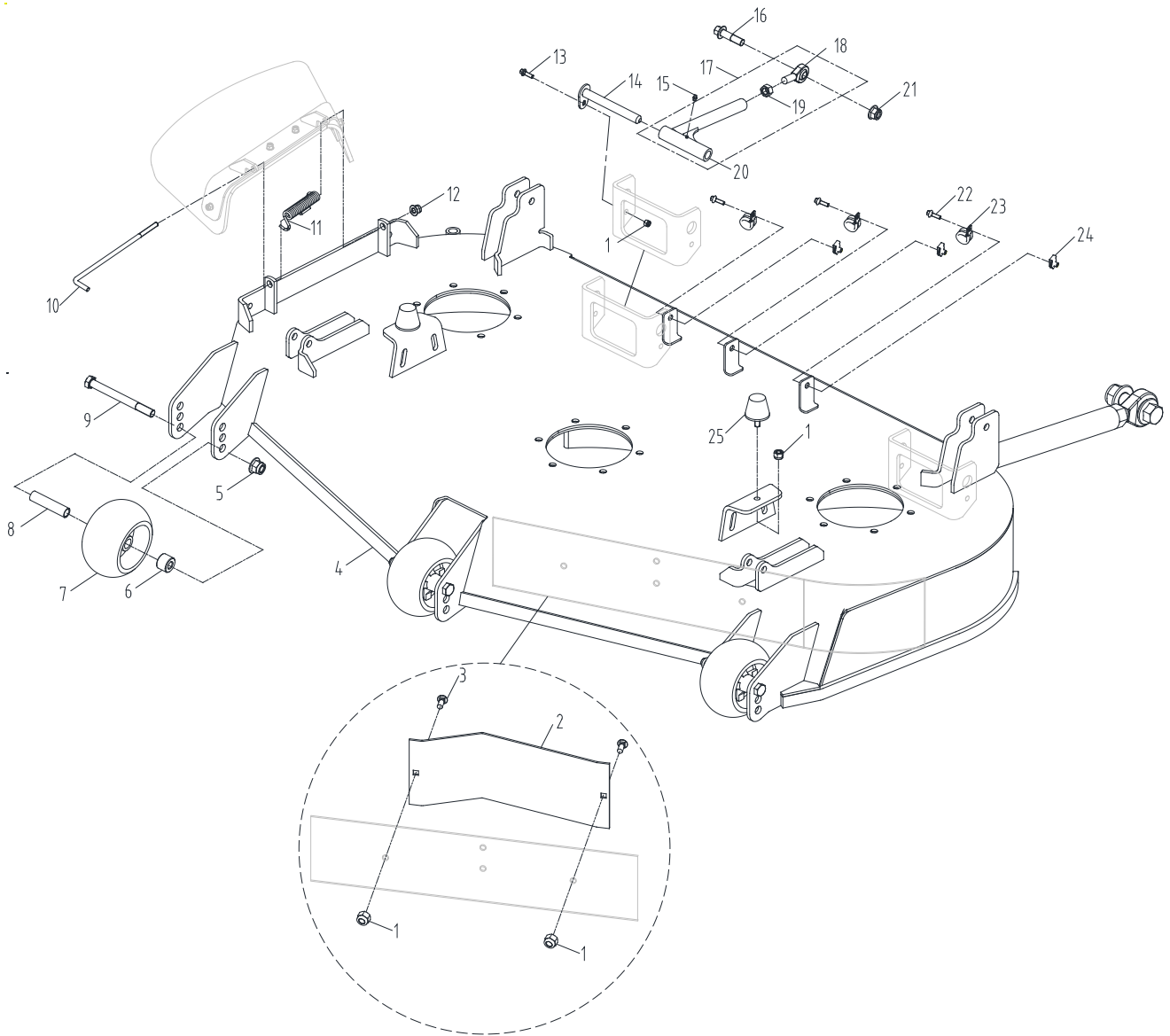
| ITEM NO. | PART NO. | DESCRIPTION | QTY |
|----------|-------------|----------------------|-----|
| 41-01 | R0201718-00 | Blade motor assembly | 3 |
| 41-02 | R0200714-00 | Blade motor | 1 |
| 41-03 | R0200693-00 | Blade collar | 1 |
| 41-04 | R0200339-00 | Washer | 3 |
| 41-05 | R0200350-00 | 18" Blade | 1 |
| 41-06 | R0200365-00 | Blade washer | 1 |
| 41-07 | R0200364-00 | Bolt M16×70 | 1 |
| 41-08 | R0200502-00 | Washer | 18 |
| 41-09 | R0200499-00 | Spring washer | 18 |
| 41-10 | R0200501-00 | Bolt M10×25 | 18 |

DECK, MOTORS AND BLADES (2522302)



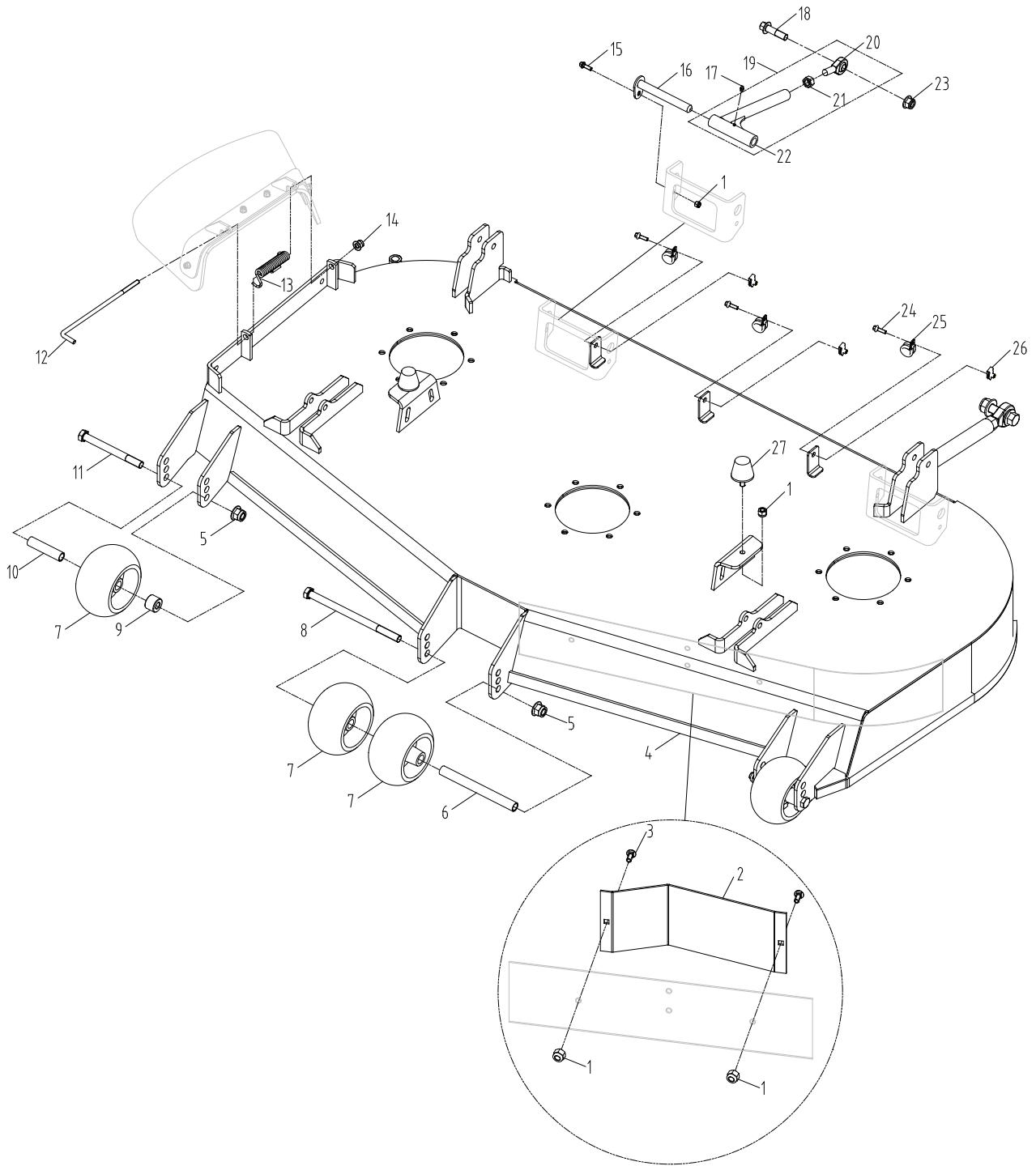
| ITEM NO. | PART NO. | DESCRIPTION | QTY |
|----------|-------------|----------------------|-----|
| 41-01 | R0201716-00 | Blade motor assembly | 3 |
| 41-02 | R0200714-00 | Blade motor | 1 |
| 41-03 | R0200693-00 | Blade collar | 1 |
| 41-04 | R0200339-00 | Washer | 3 |
| 41-05 | R0200703-00 | 20.5" Blade | 1 |
| 41-06 | R0200365-00 | Blade washer | 1 |
| 41-07 | R0200364-00 | Bolt M16×70 | 1 |
| 41-08 | R0200502-00 | Washer | 18 |
| 41-09 | R0200499-00 | Spring washer | 18 |
| 41-10 | R0200501-00 | Bolt M10×25 | 18 |

DECK COMPONENTS (2522202)



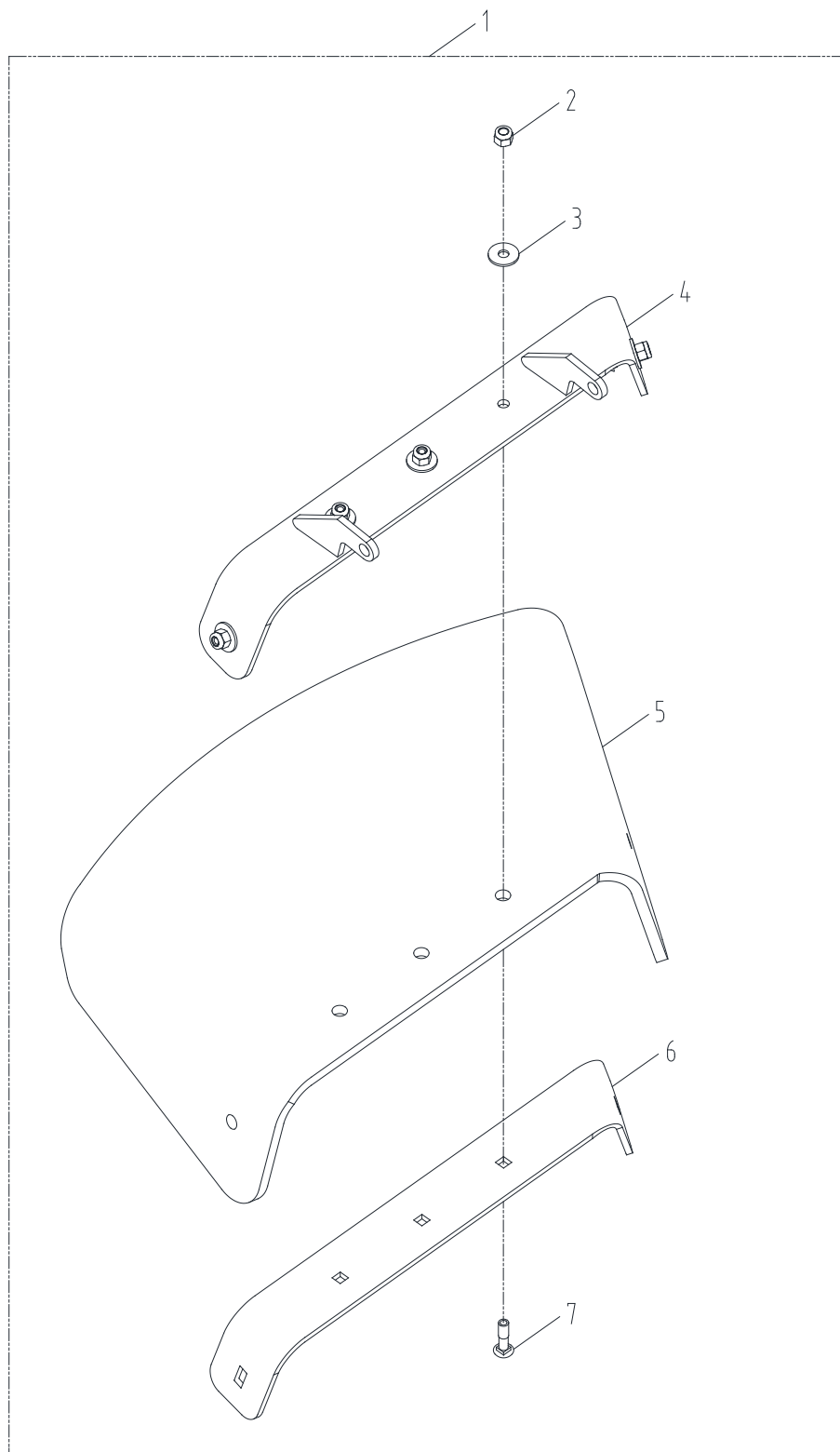
| ITEM NO. | PART NO. | DESCRIPTION | QTY |
|----------|-------------|-------------------------|-----|
| 42-01 | R0200496-00 | Lock nut M8 | 6 |
| 42-02 | R0201276-00 | Air plate 1 | 1 |
| 42-03 | R0200526-00 | Bolt M8×20 | 2 |
| 42-04 | R0201267-00 | Deck Housing 52 inch | 1 |
| 42-05 | R0200369-00 | Lock nut M12 | 3 |
| 42-06 | R0201303-00 | Roller spacer | 3 |
| 42-07 | R0200363-00 | Roller wheel | 3 |
| 42-08 | R0201304-00 | Roller shaft | 3 |
| 42-09 | R0200359-00 | Bolt M12×120 | 3 |
| 42-10 | R0201308-00 | Pivot pin | 1 |
| 42-11 | R0201383-00 | Torsional spring | 1 |
| 42-12 | R0200521-00 | Lock nut M10 | 1 |
| 42-13 | R0200398-00 | Bolt M8×25 | 2 |
| 42-14 | R0201311-00 | Connection pin weldment | 2 |
| 42-15 | R0200684-00 | Grease zerk fitting M6 | 1 |
| 42-16 | R0200408-00 | Bolt M16×60 | 2 |
| 42-17 | R0201312-00 | Deck mounting rod assy | 2 |
| 42-18 | R0200407-00 | Rod end M16 | 1 |
| 42-19 | R0200406-00 | Nut M16 | 1 |
| 42-20 | R0201313-00 | Deck mounting rod | 1 |
| 42-21 | R0200409-00 | Lock nut M16 | 2 |
| 42-22 | R0200507-00 | Bolt M16×20 | 3 |
| 42-23 | R0200412-00 | Hose clamp | 3 |
| 42-24 | R0201314-00 | Cushion | 3 |
| 42-25 | R0200710-00 | Rubber bumper | 2 |

DECK COMPONENTS (2522302)



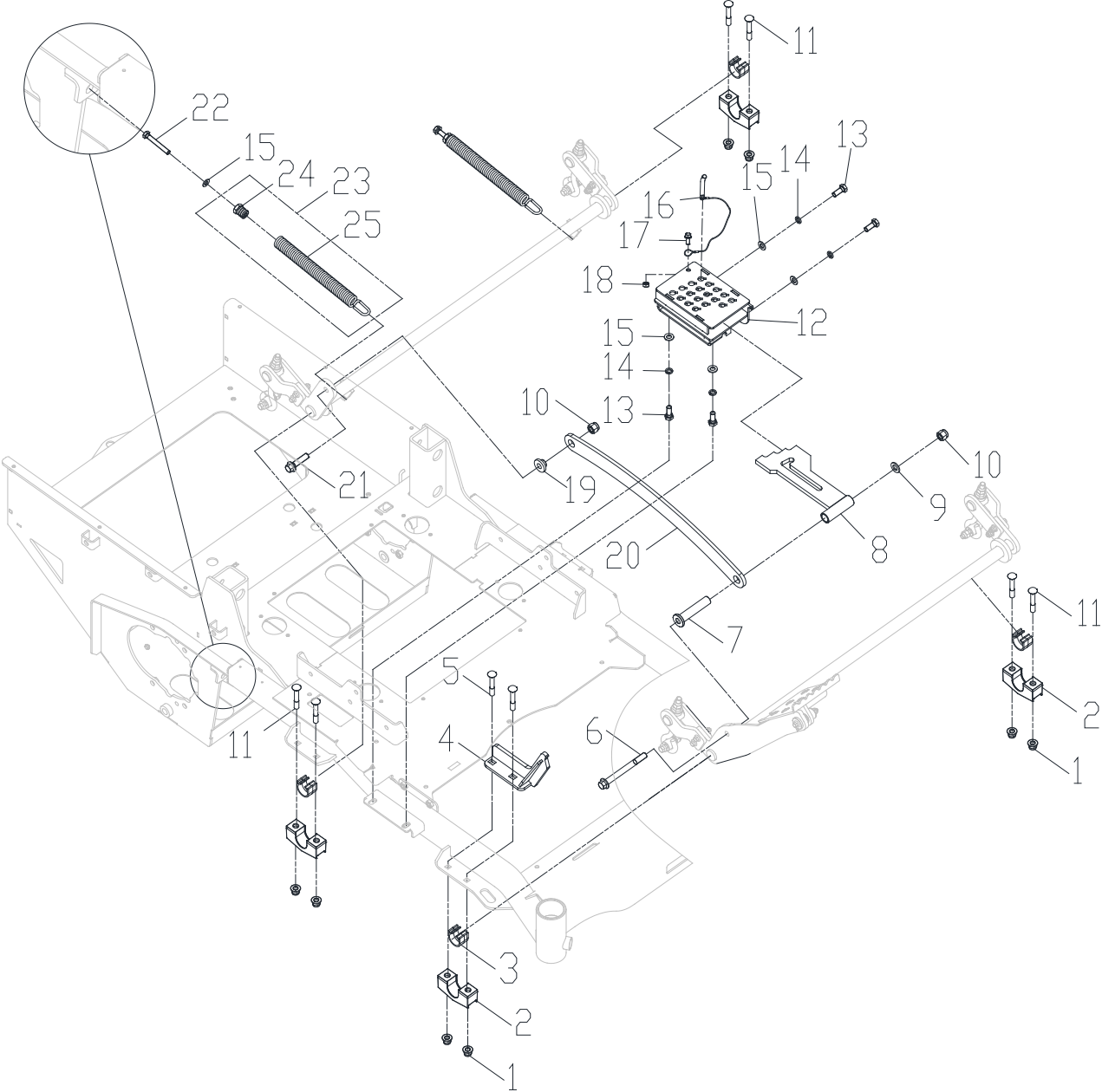
| ITEM NO. | PART NO. | DESCRIPTION | QTY |
|----------|-------------|-------------------------|-----|
| 42-01 | R0200520-00 | Lock nut M8 | 6 |
| 42-02 | R0201307-00 | Air plate 1 | 1 |
| 42-03 | R0200526-00 | Bolt M8×20 | 2 |
| 42-04 | R0201301-00 | Deck Housing 60 inch | 1 |
| 42-05 | R0200369-00 | Lock nut M12 | 3 |
| 42-06 | R0201302-00 | Roller shaft | 1 |
| 42-07 | R0200363-00 | Roller wheel | 4 |
| 42-08 | R0200360-00 | Bolt M12×190 | 1 |
| 42-09 | R0201303-00 | Roller spacer | 2 |
| 42-10 | R0201304-00 | Roller shaft | 2 |
| 42-11 | R0200359-00 | Bolt M12×120 | 2 |
| 42-12 | R0201308-00 | Pivot pin | 1 |
| 42-13 | R0201383-00 | Torsional spring | 1 |
| 42-14 | R0200521-00 | Lock nut M10 | 1 |
| 42-15 | R0200398-00 | Bolt M8x25 | 2 |
| 42-16 | R0201311-00 | Connection pin weldment | 2 |
| 42-17 | R0200684-00 | Grease zerk fitting M6 | 1 |
| 42-18 | R0200408-00 | Bolt M16×20 | 2 |
| 42-19 | R0201312-00 | Deck mounting rod assy | 2 |
| 42-20 | R0200407-00 | Rod end M16 | 1 |
| 42-21 | R0200406-00 | Nut M16 | 1 |
| 42-22 | R0201313-00 | Deck mounting rod assy | 1 |
| 42-23 | R0200409-00 | Lock nut M16 | 2 |
| 42-24 | R0200507-00 | Bolt M16×20 | 3 |
| 42-25 | R0200412-00 | Hose clamp | 3 |
| 42-26 | R0201314-00 | Cushion | 3 |
| 42-27 | R0200710-00 | Rubber bumper | 2 |

DISCHARGE CHUTE



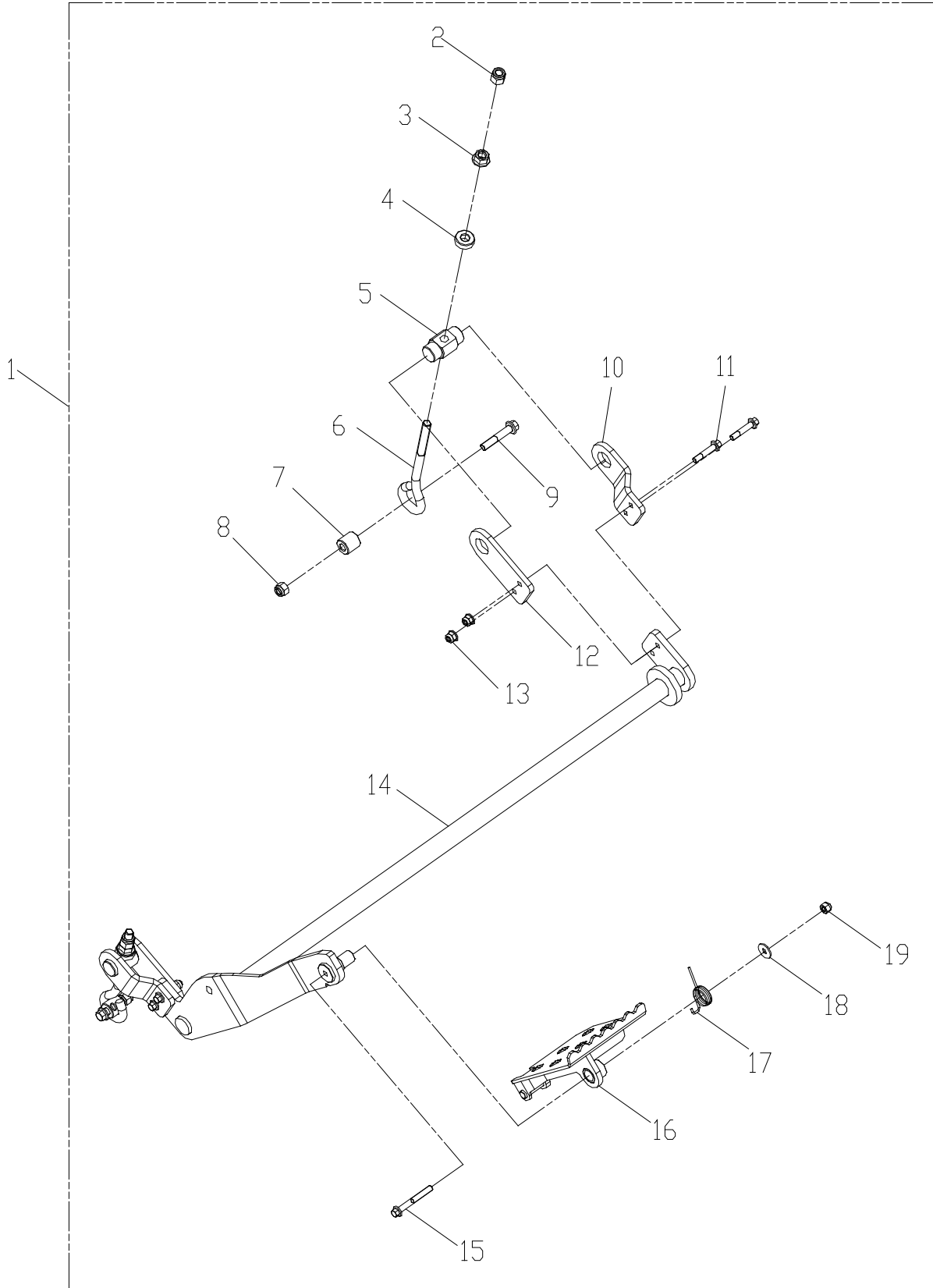
| ITEM NO. | PART NO. | DESCRIPTION | QTY |
|----------|---------------------------|------------------------|-----|
| 43-01 | R0201272-00 (For 2522202) | Deflector assembly | 1 |
| | R0201305-00 (For 2522302) | | 1 |
| 43-02 | R0200520-00 | Nut M8 | 5 |
| 43-03 | R0200541-00 | Washer | 5 |
| 43-04 | R0201310-00 | Upper bracket weldment | 1 |
| 43-05 | R0200618-00 (For 2522202) | Discharge chute | 1 |
| | R0200617-00 (For 2522302) | | 1 |
| 43-06 | R0201309-00 | Lower bracket | 1 |
| 43-07 | R0200528-00 | Bolt M8×30 | 5 |

DECKLIFT



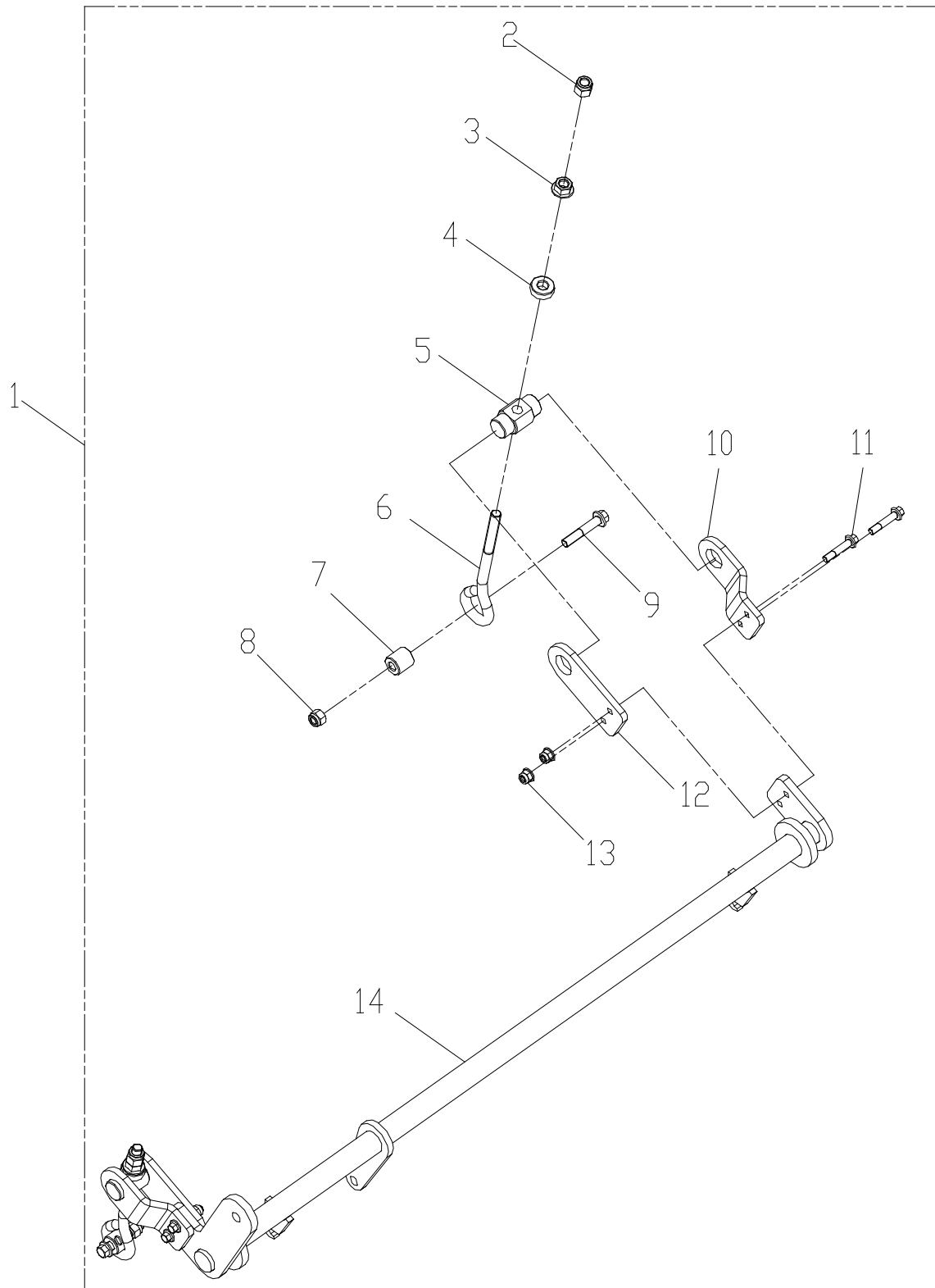
| ITEM NO. | PART NO. | DESCRIPTION | QTY |
|----------|-------------|----------------------------|-----|
| 45-01 | R0200521-00 | Lock nut M10 | 8 |
| 45-02 | R0200586-00 | Fixed seat | 4 |
| 45-03 | R0200737-00 | Collar | 4 |
| 45-04 | R0201371-00 | Mounting plate | 1 |
| 45-05 | R0201370-00 | Bolt B M10×60 | 2 |
| 45-06 | R0201265-00 | Bolt M12×120 | 1 |
| 45-07 | R0201369-00 | Sleeve | 1 |
| 45-08 | R0201365-00 | Connecting seat weldment | 1 |
| 45-09 | R0200543-00 | Washer | 1 |
| 45-10 | R0200515-00 | Lock nut M12 | 2 |
| 45-11 | R0200525-00 | Bolt M10×50 | 6 |
| 45-12 | R0201361-00 | Height adjustment weldment | 1 |
| 45-13 | R0200509-00 | Bolt M10×50 | 4 |
| 45-14 | R0200499-00 | Spring washer | 4 |
| 45-15 | R0200502-00 | Washer | 6 |
| 45-16 | R0200487-00 | Pin and leash | 1 |
| 45-17 | R0200534-00 | Bolt assembly M8 × 20 | 1 |
| 45-18 | R0200519-00 | Nut M8 | 1 |
| 45-19 | R0201359-00 | Spacer | 1 |
| 45-20 | R0201360-00 | Connection plate | 1 |
| 45-21 | R0200516-00 | Bolt M12×45 | 1 |
| 45-22 | R0200504-00 | Bolt M10×70 | 2 |
| 45-23 | R0201697-00 | Spring | 2 |
| 45-24 | R0201335-00 | Custom bolt | 1 |
| 45-25 | R0200598-00 | Spring | 1 |

DECKLIFT FRONT ROTATING SHAFT ASSEMBLY



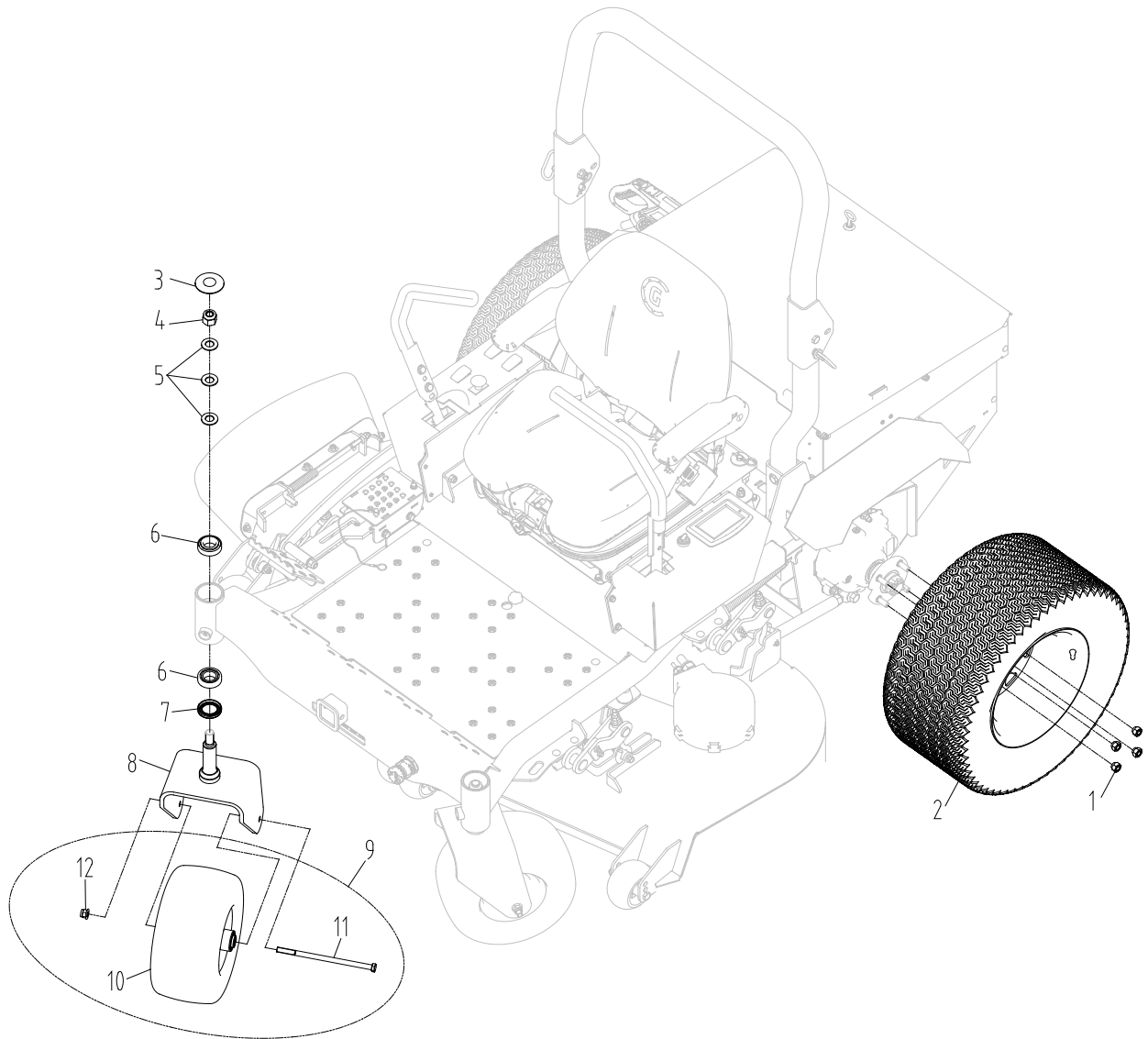
| ITEM NO. | PART NO. | DESCRIPTION | QTY |
|----------|-------------|----------------------|-----|
| 46-01 | R0201444-00 | Front shaft assembly | 1 |
| 46-02 | R0200515-00 | Lock nut M12 | 2 |
| 46-03 | R0200559-00 | Nut M12 | 2 |
| 46-04 | R0201351-00 | washer | 2 |
| 46-05 | R0201349-00 | Shaft | 2 |
| 46-06 | R0201348-00 | Pull rod | 2 |
| 46-07 | R0201346-00 | Spacer | 2 |
| 46-08 | R0200514-00 | Lock nut M10 | 2 |
| 46-09 | R0200503-00 | Bolt M10×55 | 2 |
| 46-10 | R0201354-00 | Mounting plate | 2 |
| 46-11 | R0200560-00 | Bolt M8×40 | 4 |
| 46-12 | R0201355-00 | Mounting plate | 2 |
| 46-13 | R0200496-00 | Lock nut M8 | 4 |
| 46-14 | R0201367-00 | Front shaft weldment | 1 |
| 46-15 | R0200510-00 | Bolt M8×65 | 1 |
| 46-16 | R0201372-00 | Pedal | 1 |
| 46-17 | R0201374-00 | Spring | 1 |
| 46-18 | R0200541-00 | Washer | 1 |
| 46-19 | R0200520-00 | Lock nut M8 | 1 |

DECKLIFT REAR ROTATING SHAFT ASSEMBLY



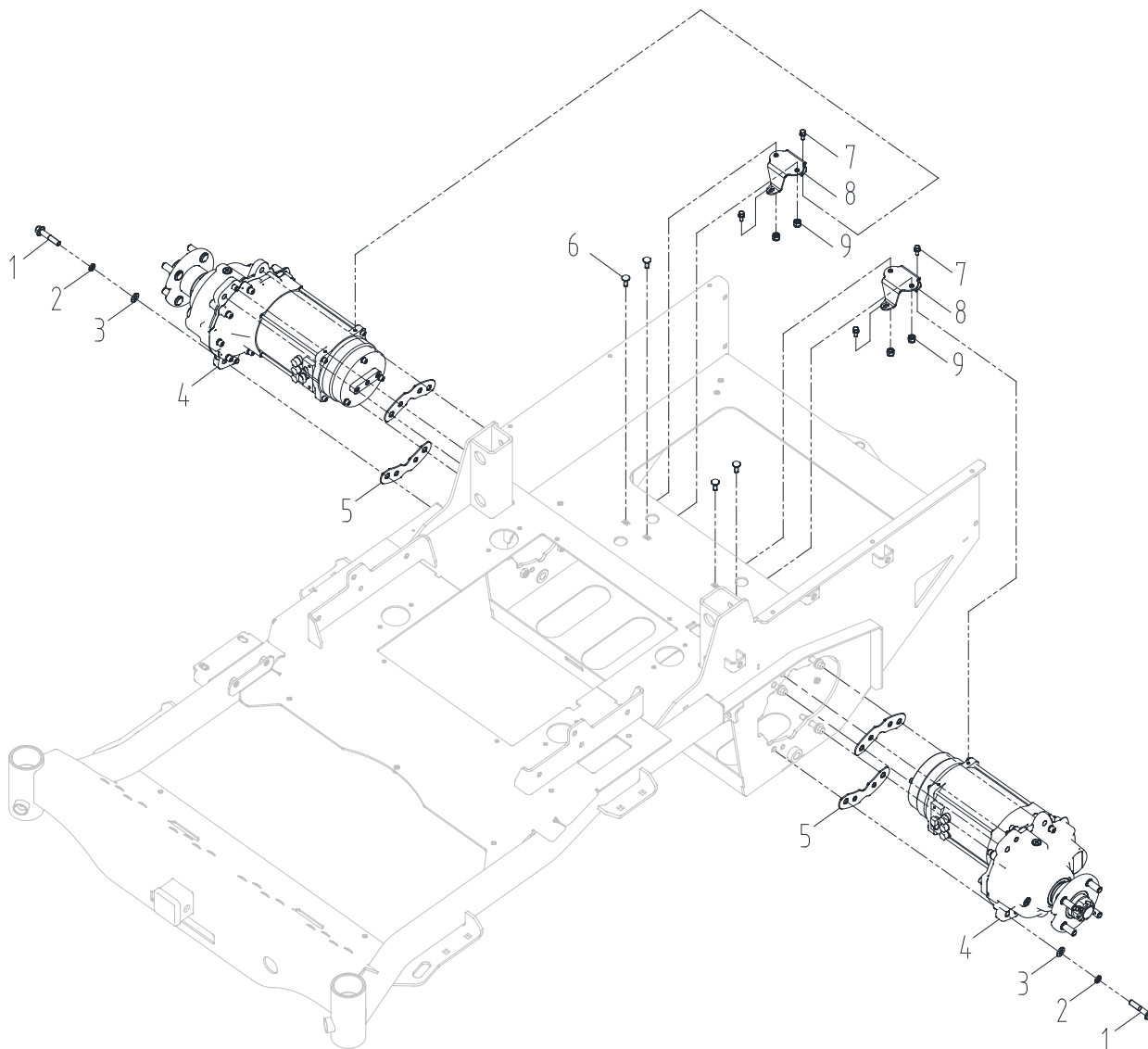
| ITEM NO. | PART NO. | DESCRIPTION | QTY |
|----------|-------------|---------------------|-----|
| 47-01 | R0201443-00 | Rear shaft assembly | 1 |
| 47-02 | R0200515-00 | Lock nut M12 | 2 |
| 47-03 | R0200559-00 | Nut M12 | 2 |
| 47-04 | R0201351-00 | washer | 2 |
| 47-05 | R0201349-00 | Trunion | 2 |
| 47-06 | R0201348-00 | Pull rod | 2 |
| 47-07 | R0201346-00 | Spacer | 2 |
| 47-08 | R0200514-00 | Lock nut M10 | 2 |
| 47-09 | R0200503-00 | Bolt M10×55 | 2 |
| 47-10 | R0201354-00 | Mounting plate | 2 |
| 47-11 | R0200560-00 | Screw M8×40 | 4 |
| 47-12 | R0201355-00 | Mounting plate | 2 |
| 47-13 | R0200496-00 | Lock nut M8 | 4 |
| 47-14 | R0201344-00 | Rear shaft weldment | 1 |

WHEELS



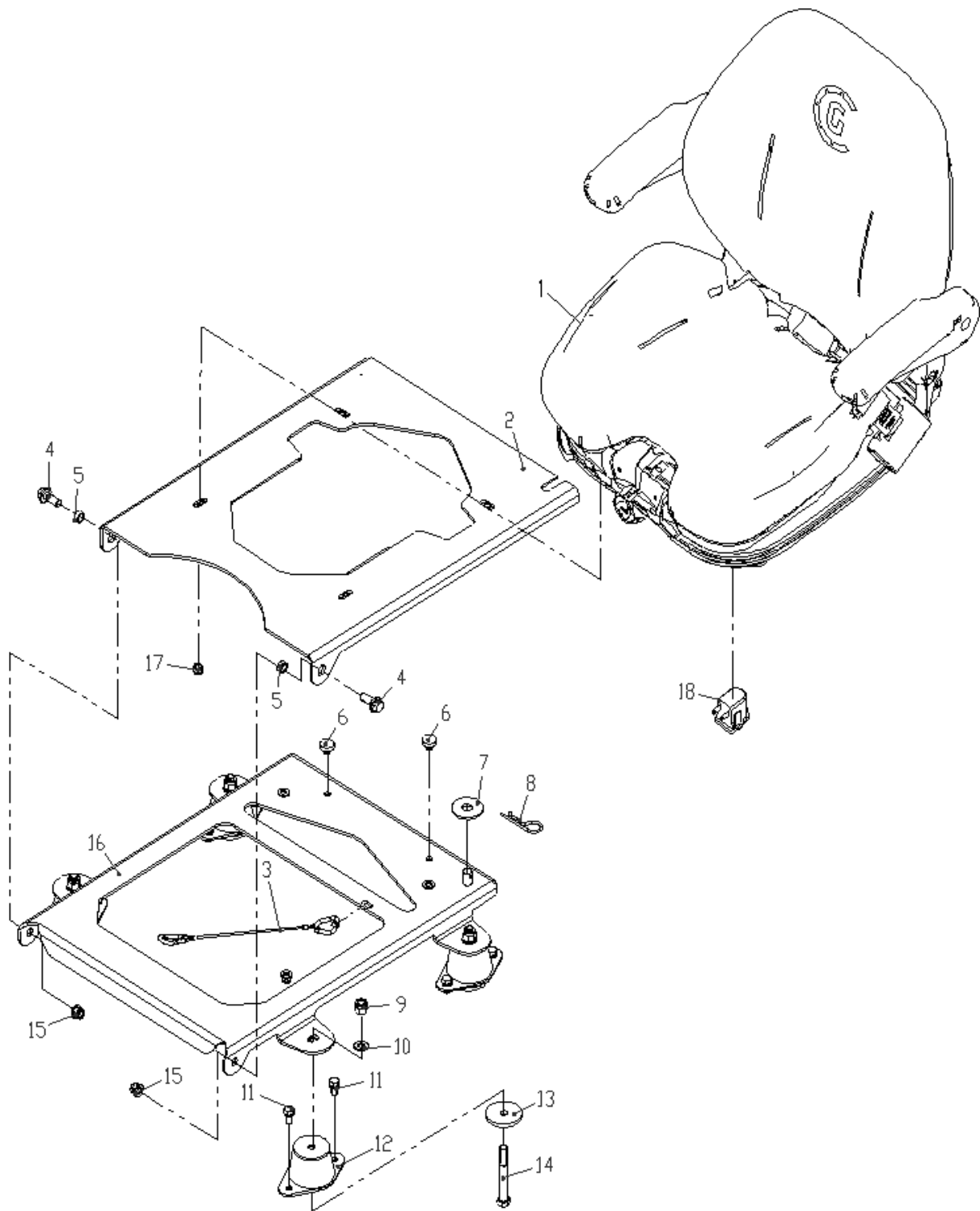
| ITEM NO. | PART NO. | DESCRIPTION | QTY |
|----------|---------------------------|----------------------|-----|
| 51-01 | R0200368-00 | Lug Nut 1/2-20 UNF | 8 |
| 51-02 | R0200352-00 (For 2522202) | Rear wheel 24×9.5-12 | 2 |
| | R0200708-00 (For 2522302) | Rear wheel 24×12-12 | 2 |
| 51-03 | R0201329-00 | Dust cap | 2 |
| 51-04 | R0200372-00 | Lock nut M20 | 2 |
| 51-05 | R0200373-00 | Disc spring | 6 |
| 51-06 | R0200374-00 | Bearing | 4 |
| 51-07 | R0200375-00 | Oil seal | 2 |
| 51-08 | R0201320-00 | Caster weldment | 2 |
| 51-09 | R0201268-00 | Front wheel assembly | 2 |
| 51-10 | R0200370-00 | Front wheel assembly | 1 |
| 51-11 | R0201270-00 | Bolt M12×240 | 1 |
| 51-12 | R0200369-00 | Lock nut M12 | 1 |

DRIVE MOTOR AND TRANSMISSION



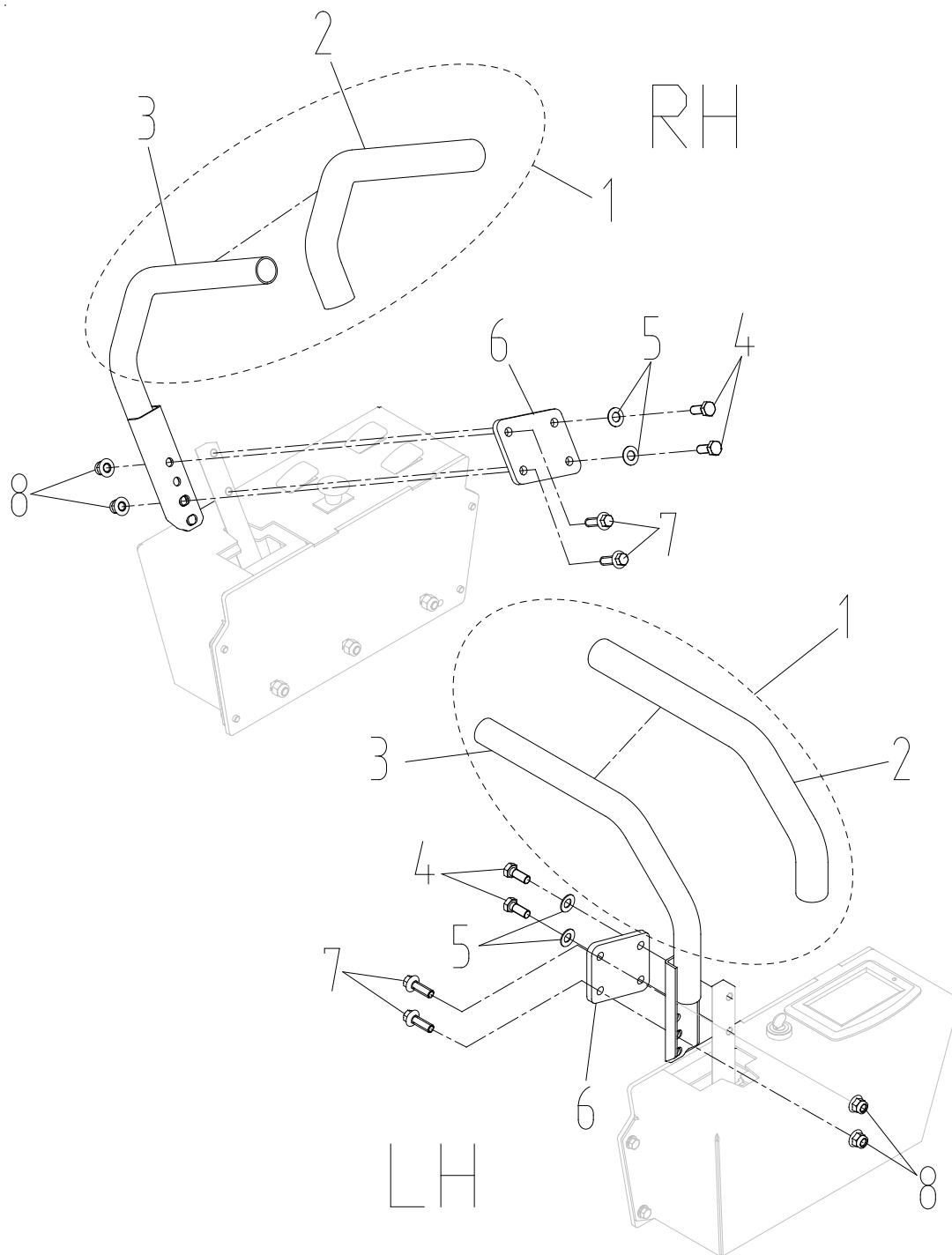
| ITEM NO. | PART NO. | DESCRIPTION | QTY |
|----------|-------------|------------------------------|-----|
| 55-01 | R0200765-00 | Bolt M10×50 | 8 |
| 55-02 | R0200499-00 | Spring washer | 8 |
| 55-03 | R0200502-00 | Washer | 8 |
| 55-04 | R0200669-00 | Motor Drive Assembly, 1.7 kW | 2 |
| 55-05 | R0201318-00 | Pad | 4 |
| 55-06 | R0200526-00 | Bolt M8×20 | 4 |
| 55-07 | R0200532-00 | Bolt assembly M6×16 | 4 |
| 55-08 | R0201317-00 | Upper bracket weldment | 2 |
| 55-09 | R0200520-00 | Lock nut M8 | 4 |

SEAT



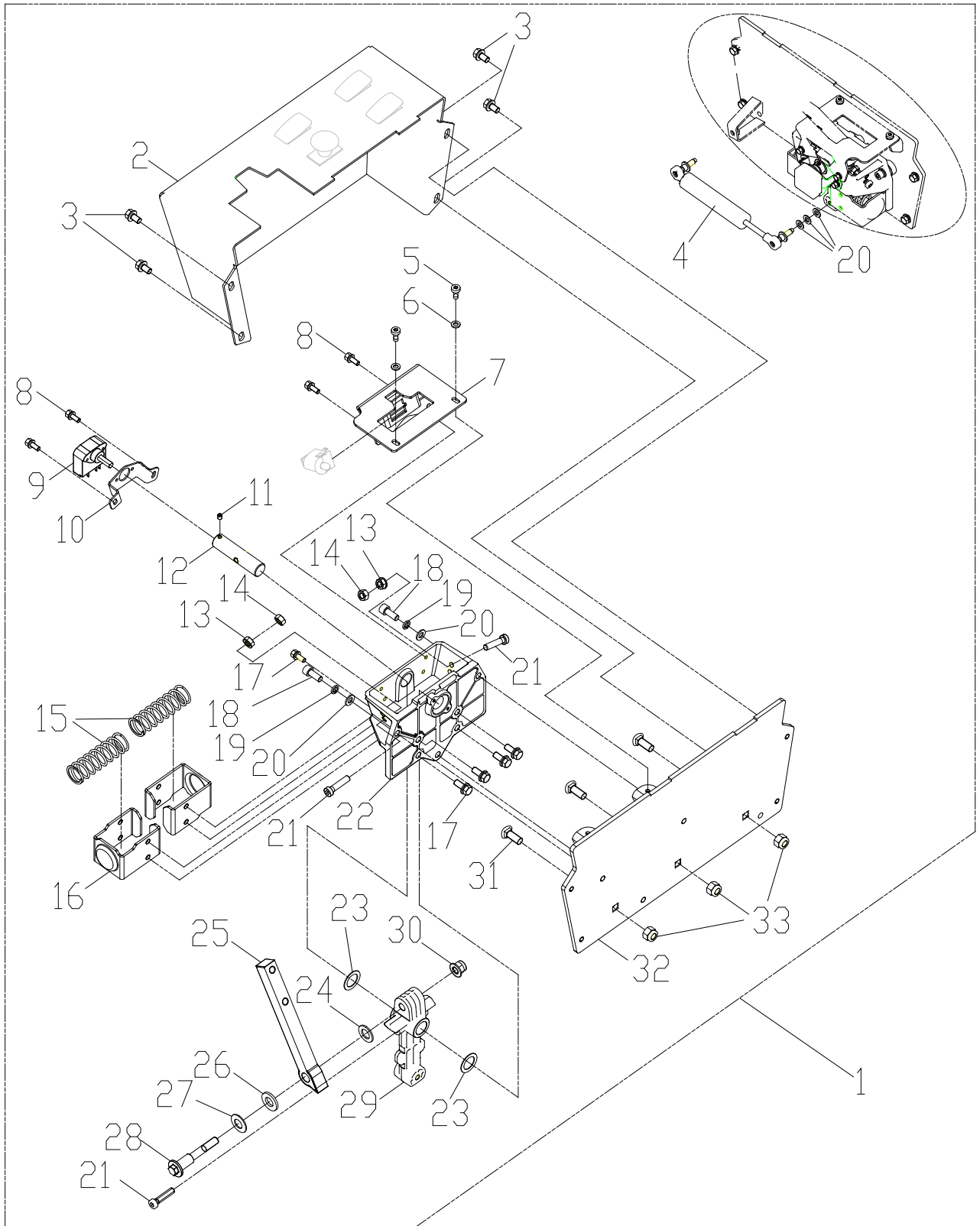
| ITEM NO. | PART NO. | DESCRIPTION | QTY |
|----------|-------------|--------------------------------|-----|
| 61-01 | R0201810-00 | Seat, Milsco Suspension, 600mm | 1 |
| 61-02 | R0201316-00 | Seat plate | 1 |
| 61-03 | R0200410-00 | Leash | 1 |
| 61-04 | R0200501-00 | Bolt M10×25 | 2 |
| 61-05 | R0201321-00 | Collar | 2 |
| 61-06 | R0200377-00 | Rubber bumper | 2 |
| 61-07 | R0200529-00 | Washer | 1 |
| 61-08 | R0200469-00 | Pin clevis | 1 |
| 61-09 | R0200514-00 | Lock nut M10 | 4 |
| 61-10 | R0200502-00 | Washer | 4 |
| 61-11 | R0200380-00 | Bolt assembly | 8 |
| 61-12 | R0200709-00 | Rubber isolator | 4 |
| 61-13 | R0201322-00 | Large washer | 4 |
| 61-14 | R0200512-00 | Bolt M10×80 | 4 |
| 61-15 | R0200521-00 | Lock nut M10 | 2 |
| 61-16 | R0201323-00 | Seat base | 1 |
| 61-17 | R0200558-00 | Lock nut M8 | 4 |
| 61-18 | R0200366-00 | Seat switch | 1 |

CONTROL ARMS



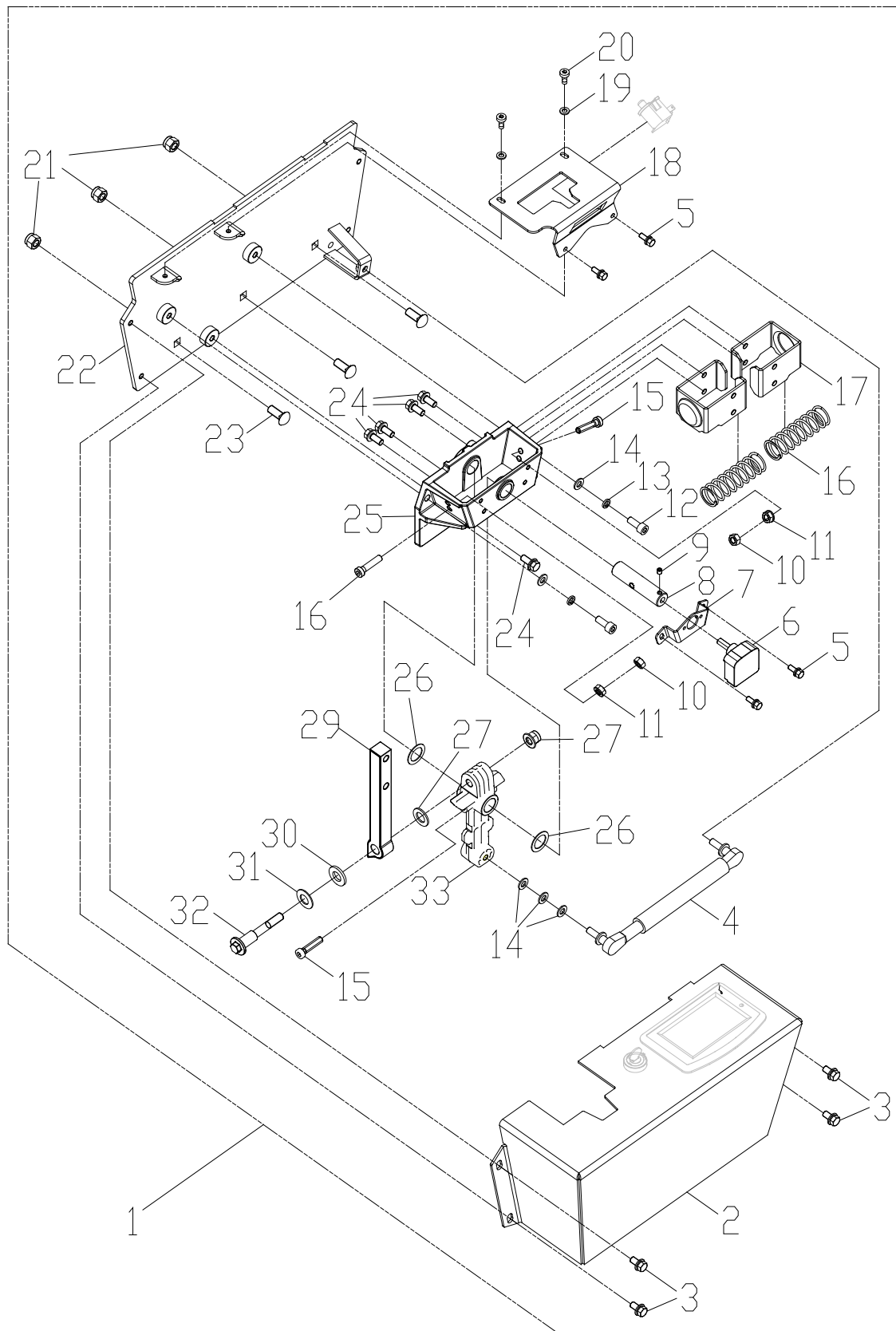
| ITEM NO. | PART NO. | DESCRIPTION | QTY |
|----------|-------------|----------------------|-----|
| 63-1 | R0201275-00 | Control Arm Assembly | 2 |
| 63-2 | R0201331-00 | Control arm cover | 1 |
| 63-3 | R0201333-00 | Control arm weldment | 1 |
| 63-4 | R0200509-00 | Bolt M10×25 | 4 |
| 63-5 | R0200378-00 | Disc spring | 4 |
| 63-6 | R0202150-00 | Connecting plate | 2 |
| 63-7 | R0200550-00 | Bolt M10x30 | 4 |
| 63-8 | R0200521-00 | Nut M10 | 4 |

RH CONTROL ARM SUB STRUCTURE



| ITEM NO. | PART NO. | DESCRIPTION | QTY |
|----------|-------------|--------------------------------|-----|
| 64-01 | R0201712-00 | Right manipulation assembly | 1 |
| 64-02 | R0201330-00 | Right protective cover | 1 |
| 64-03 | R0200380-00 | Bolt assembly | 4 |
| 64-04 | R0201338-00 | Damper | 1 |
| 64-05 | R0201339-00 | Screw M6×15 | 2 |
| 64-06 | R0200547-00 | Washer | 2 |
| 64-07 | R0201340-00 | Upper bracket weldment | 1 |
| 64-08 | R0200532-00 | Bolt assembly | 4 |
| 64-09 | R0200354-00 | Sensor connection plate AC | 1 |
| 64-10 | R0201341-00 | Potentiometer connection plate | 1 |
| 64-11 | R0200564-00 | Screw M6×6 | 1 |
| 64-12 | R0201342-00 | Shaft | 1 |
| 64-13 | R0200513-00 | Nut M8 | 2 |
| 64-14 | R0200519-00 | Nut M8 | 2 |
| 64-15 | R0201343-00 | Compression spring | 2 |
| 64-16 | R0201345-00 | Spring seat | 2 |
| 64-17 | R0200534-00 | Bolt assembly | 5 |
| 64-18 | R0201347-00 | Screw M8×20 | 2 |
| 64-19 | R0200540-00 | Spring washer | 2 |
| 64-20 | R0200548-00 | Washer | 5 |
| 64-21 | R0201350-00 | Screw M8×35 | 3 |
| 64-22 | R0201352-00 | Fixed seat | 1 |
| 64-23 | R0201353-00 | Gasket | 2 |
| 64-24 | R0201356-00 | Nylon cushion | 1 |
| 64-25 | R0201357-00 | Control arm handle | 1 |
| 64-26 | R0201358-00 | Gasket | 1 |
| 64-27 | R0201362-00 | Disc spring | 1 |
| 64-28 | R0201363-00 | Custom bolt | 1 |
| 64-29 | R0201364-00 | Swing arm | 1 |
| 64-30 | R0200521-00 | Lock nut M10 | 1 |
| 64-31 | R0200506-00 | Bolt M10×25 | 3 |
| 64-32 | R0201366-00 | Right fixed plate weldment | 1 |
| 64-33 | R0200514-00 | Lock nut M10 | 3 |

LH CONTROL ARM SUB STRUCTURE



| ITEM NO. | PART NO. | DESCRIPTION | QTY |
|----------|-------------|--------------------------------|-----|
| 65-01 | R0201713-00 | Left control handle assembly | 1 |
| 65-02 | R0201332-00 | Left protective cover | 1 |
| 65-03 | R0200380-00 | Bolt assembly | 4 |
| 65-04 | R0201338-00 | Damper | 1 |
| 65-05 | R0200532-00 | Bolt assembly | 4 |
| 65-06 | R0200354-00 | Sensor connection plate AC | 1 |
| 65-07 | R0201341-00 | Potentiometer connection plate | 1 |
| 65-08 | R0201342-00 | Rotating shaft | 1 |
| 65-09 | R0200564-00 | Screw M6×6 | 1 |
| 65-10 | R0200519-00 | Nut M8 | 2 |
| 65-11 | R0200513-00 | Nut M8 | 2 |
| 65-12 | R0201347-00 | Screw M8×20 | 2 |
| 65-13 | R0200540-00 | Washer | 2 |
| 65-14 | R0200548-00 | Washer | 5 |
| 65-15 | R0201350-00 | Screw M8×35 | 3 |
| 65-16 | R0201343-00 | Compression spring | 2 |
| 65-17 | R0201345-00 | Spring seat | 2 |
| 65-18 | R0201381-00 | Upper bracket weldment | 1 |
| 65-19 | R0200547-00 | Washer | 2 |
| 65-20 | R0201339-00 | Screw M6×15 | 2 |
| 65-21 | R0200514-00 | Lock nut M10 | 3 |
| 65-22 | R0201385-00 | Left fixed plate weldment | 1 |
| 65-23 | R0200506-00 | Bolt M10×25 | 3 |
| 65-24 | R0200534-00 | Bolt assembly | 5 |
| 65-25 | R0201352-00 | Fixed seat | 1 |
| 65-26 | R0201353-00 | Nylon washer | 2 |
| 65-27 | R0201356-00 | Nylon washer | 1 |
| 65-28 | R0200521-00 | Lock nut M10 | 1 |
| 65-29 | R0201357-00 | Joystick | 1 |
| 65-30 | R0201358-00 | Gasket | 1 |
| 65-31 | R0201362-00 | Disc spring | 1 |
| 65-32 | R0201363-00 | Custom bolts | 1 |
| 65-33 | R0201364-00 | Swing arm | 1 |

GREENWORKS

COMMERCIAL

**Greenworks Tools
PO Box 1238
 Mooresville, NC 28115**

TOLL-FREE HELPLINE: 1-855-470-4267



Printed in China on 100% Recycled Paper

P0803372-00 REV1.7