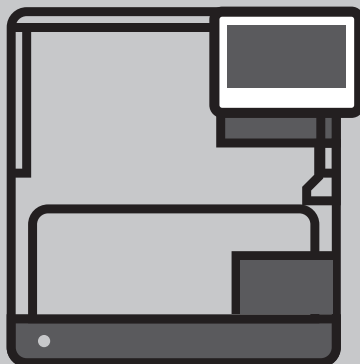




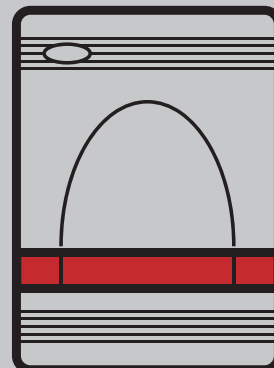
BAX® Prep Xpress

The Right Fit for Any Lab

Optimize your Workflow with Hygiena's Automated Liquid Handling Solution



BAX® Prep Xpress



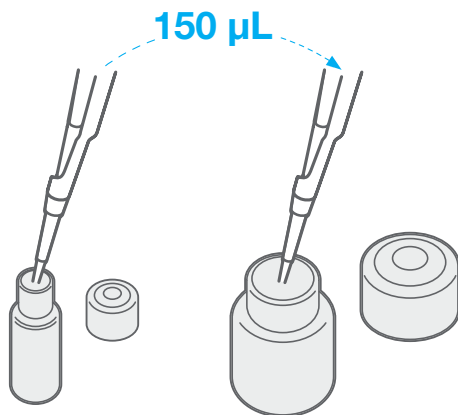
BAX® System

BAX® Prep Xpress: Empowering High-Throughput Labs

Hygiena's BAX® Prep Xpress is an affordable, small footprint, automated liquid handling platform that reduces technician labor while increasing pipetting accuracy and reliability. This high throughput workflow empowers autonomy for other laboratory tasks, while improving efficiency and consistency of routine solution preparation.

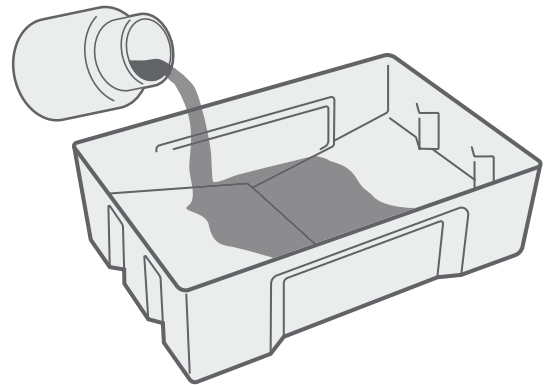
BAX® System Lysis Preparation Workflow with Prep Xpress

Step 1



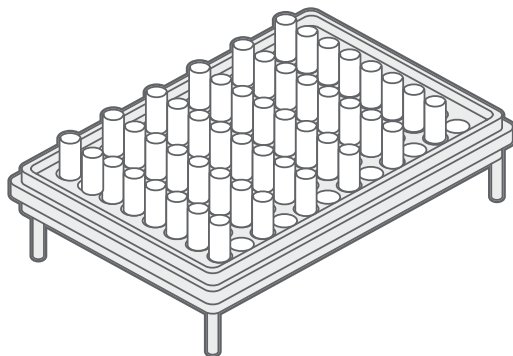
Combine protease and lysis buffer for bulk preparation

Step 2



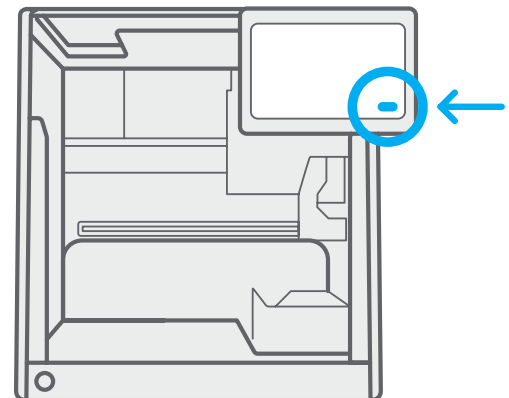
Pour bulk solutions into v-bottom well in instrument

Step 3



Place BAX cluster tube racks in Prep Xpress deck

Step 4



Start run to process up to 6 racks in ~ 12 mins

BAX® Prep Xpress Features & Benefits

- **Increase Lab Productivity** | Demonstrated reduction in solution preparation resulting in more productive use of lab technician time.
- **Small Footprint** | Compact 2 ft³ size eliminates the need for extra benchtop space that can be utilized for other routine testing activities.
- **Streamlined Workflow** | Continuous workflow eliminates interruption of sampling processes to maximize efficiencies, not only in PCR prep, but in all areas of lab work.
- **On-Board Control Features** | Minimizes downtime with on-board tracking software that prompts technicians for maintenance activities and eliminates the need for paperwork.

BAX® Prep Xpress Specifications

Parameter	Specification
Power	
Input Power (Primary), Universal Supply	100-240 VAC, 50-60Hz
Output Power (Secondary)	500 W at 48 V
Physical Dimensions	
Width	21 in / 534mm
Depth (with screen)	25 in / 635mm
Height	24 in / 610 mm
Height (door open)	32 in / 813 mm
Weight	91.5 lbs / 41.6 kg
Operation	
Deck Capacity	Up to 8 positions
Plate Transport Mass	Maximum 300 g filled deep well plate
Communication	USB, Ethernet
Calibrated Positional Accuracy	0.5 mm
Positional Repeatability	0.125 mm
Operating Temperature	15-35°C (59-95°F)
Relative Humidity	15-85% non-condensing
Designed Life	7 years
Storage	
Storage Temperature	-20-70°C
Relative Humidity	10-90% non-condensing
Regulatory Installation Rating	
CSA Certification Installation Category	II