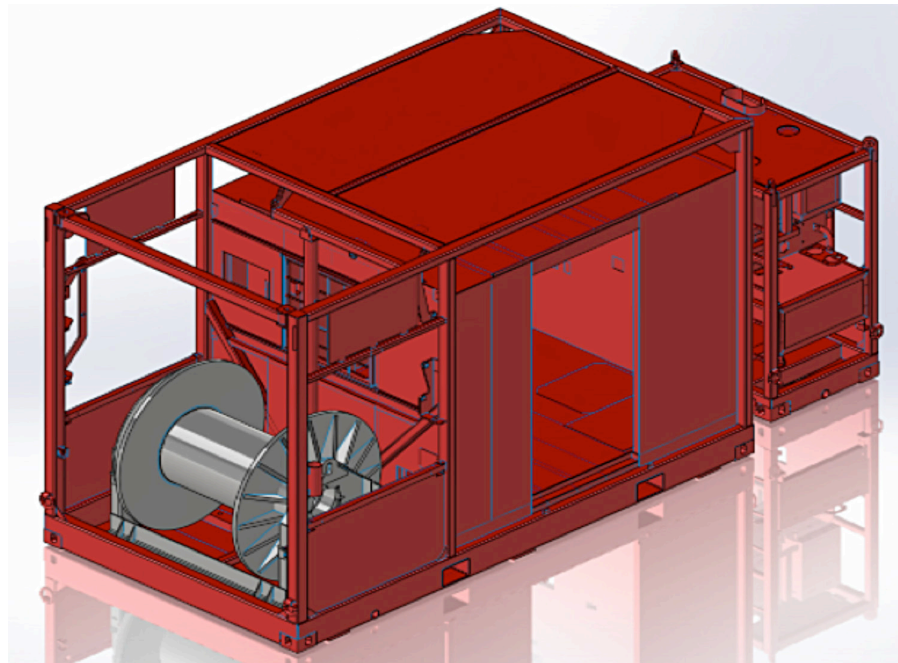


Openhole Unit

- » **Efficient openhole unit**
- » **Small footprint**
- » **Easy and quick rig up**

Openhole-2 Piece Unit
DNV 2.7-1 Certified Lift
Class 1 Division 2



HAL50765

CABIN AND SKID FRAME ASSEMBLY SPECIFICATIONS:

DNV Certified Lift 2.7-1
Openhole cabin and skid frame assembly, single logic system, 30-lb openhole reel, and 220-AC voltage.

Overall Length:

Overall Length
169 in. L x 95 in. W x 116 in. T
Max Gross: 18,000 lb

POWER PACK SPECIFICATIONS:

Equipped with Cummins QSB 4.5 diesel engine, 160HP@1,800 RPM, 26KW generator for 220-AC voltage

Over all size:

76 in. L x 40.5 in. W x 83 in. T
Actual Weight: 4,910 lb
Frame Rated to: 13,000 lb

For more information, contact your local Halliburton representative or visit us on the web at www.halliburton.com

Sales of Halliburton products and services will be in accord solely with the terms and conditions contained in the contract between Halliburton and the customer that is applicable to the sale.

H012335 9/16 © 2016 Halliburton. All Rights Reserved.