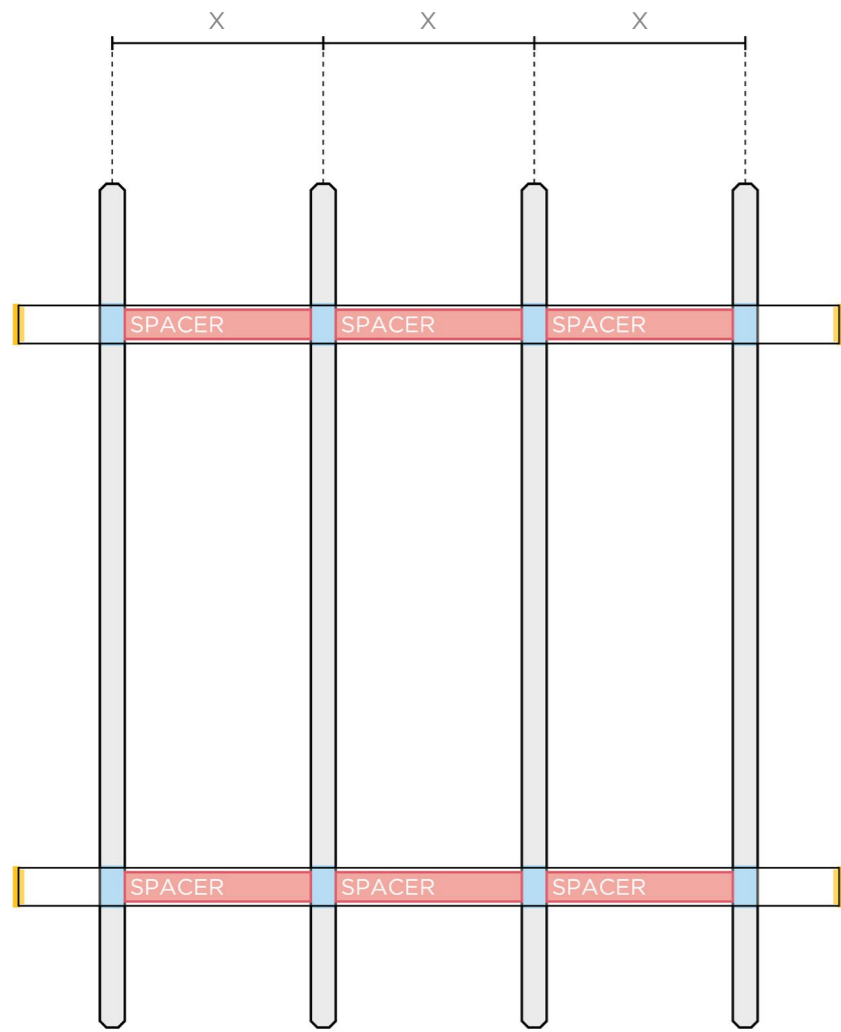


SPACERS + |END| CAPS|

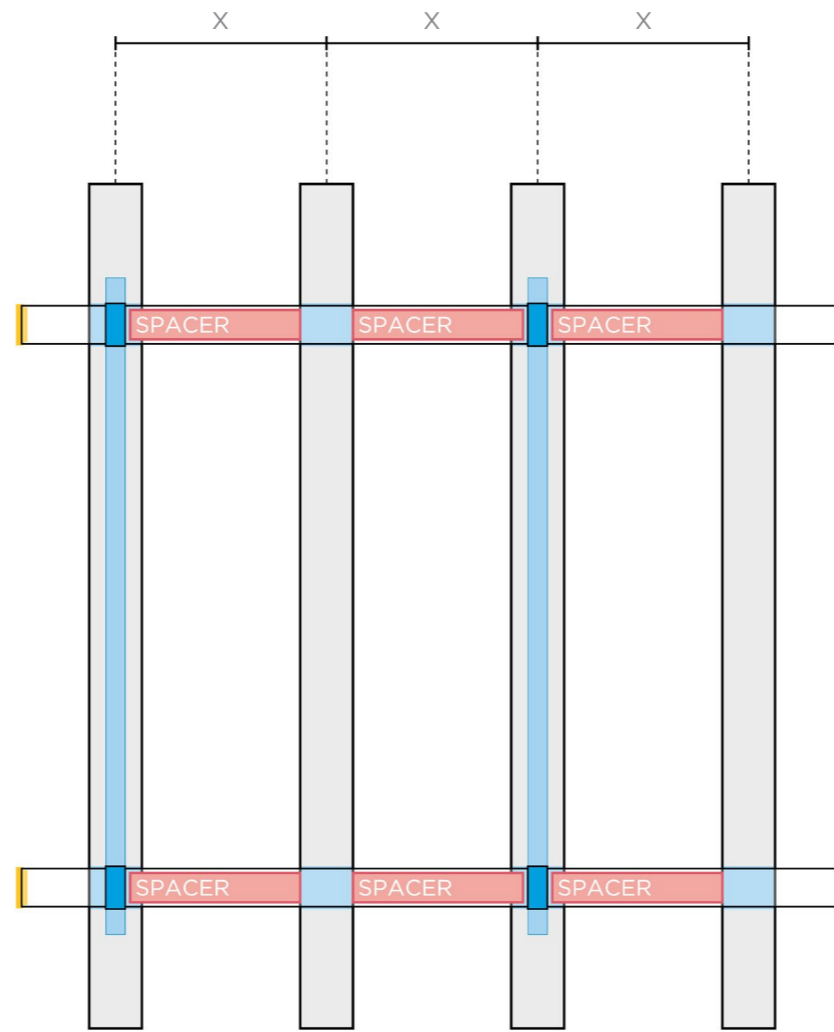
CUSTOMER GUIDE

DESIGNING WITH SPACERS

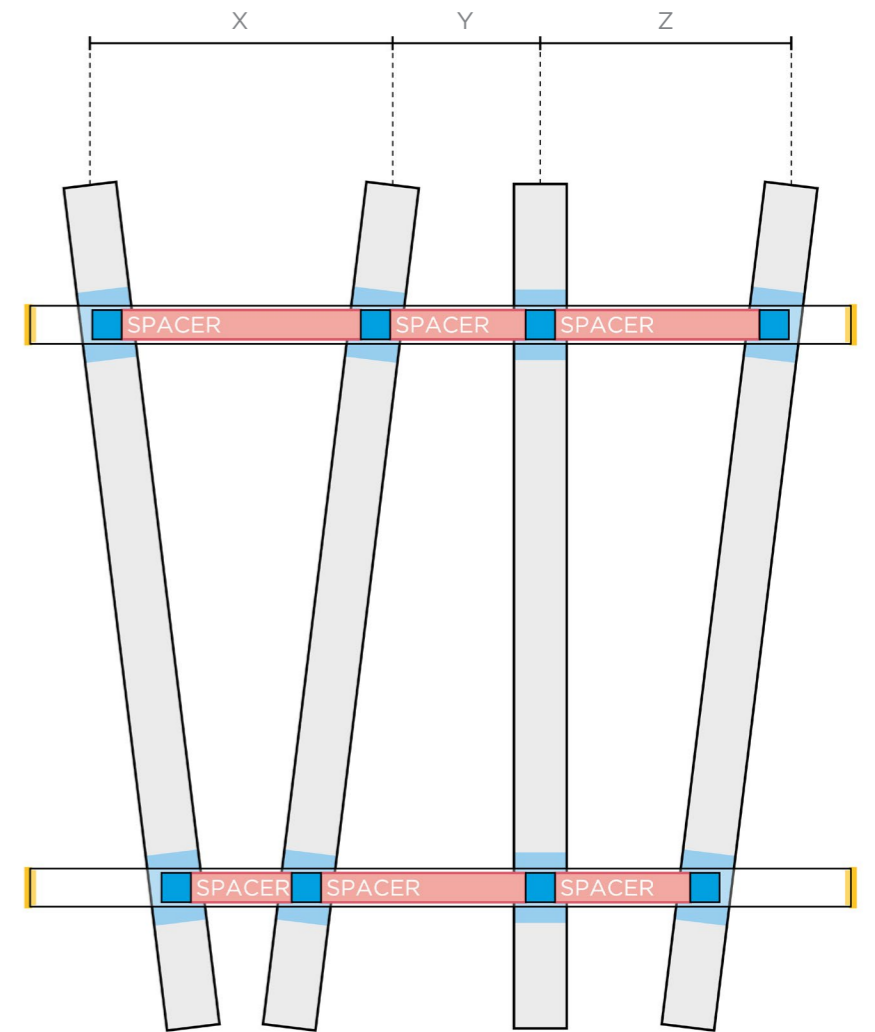
Spacers are tailored to fit your design and control the product spacing of the layout.



TYPICAL + BALANCED SPACING



MIXED PRODUCTS + CONNECTIONS



ROTATED + IRREGULAR LAYOUTS

A COMPLETE KIT OF PARTS

Spacers and End Caps are a part of a complete system designed to make your installation easy and accurate.

FELT SPACERS

Felt spacers are included with all Turf baffles that connect to unistrut. They are labeled with your specified O.C. spacing making it easy for anyone to install and maintain a consistent product spacing.

BAFFLE TAG

All Turf products are labeled with unique identifiers that help you place different sized products in the correct location. Baffle tags relate directly to your installation drawings.

P1000 SERIES UNISTRUT

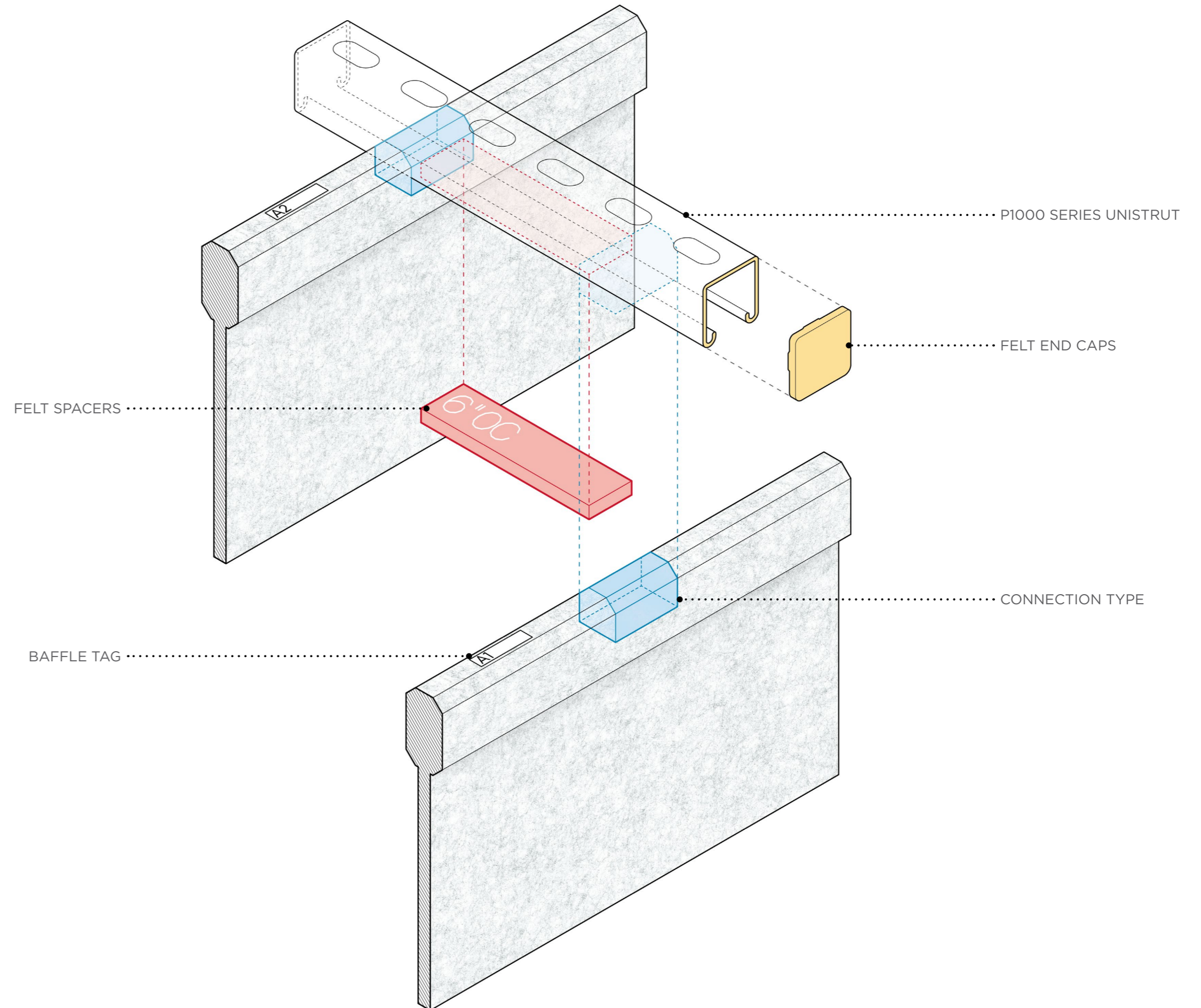
All Turf products that connect to Unistrut are only compatible with P1000 Series Unistrut. Customers may purchase Unistrut through Turf or supply their own.

FELT END CAPS

Felt End Caps are provided with all Turf products that connect to Unistrut. End Caps “snap” onto the end, creating a complete, finished look for your installation.

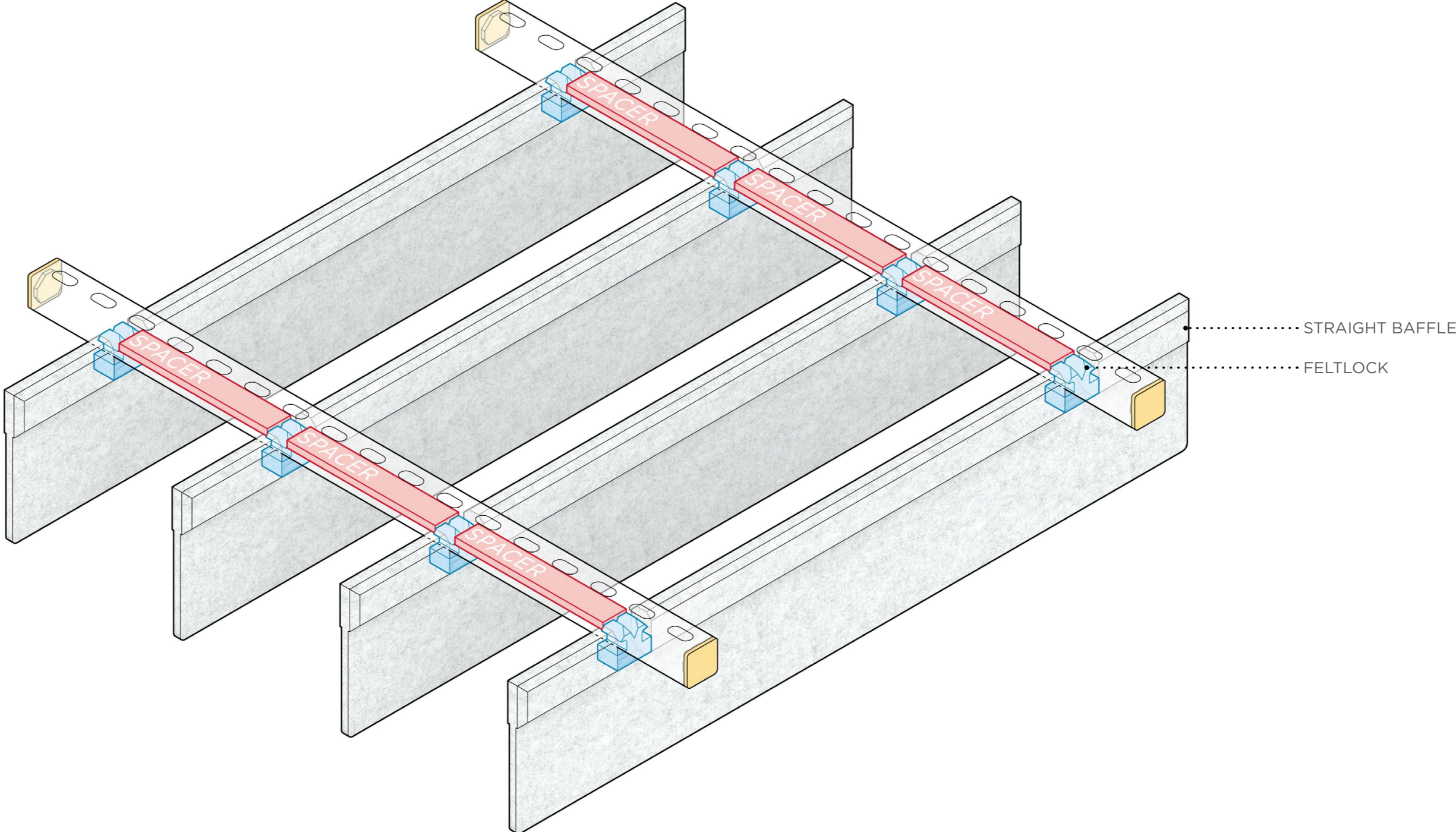
CONNECTION TYPE

Turf baffles can connect to Unistrut using Turf’s patented, built-in, FeltLock or Rotated FeltLock. Additionally, Turf baffles can connect to Unistrut using a Channel Nut.



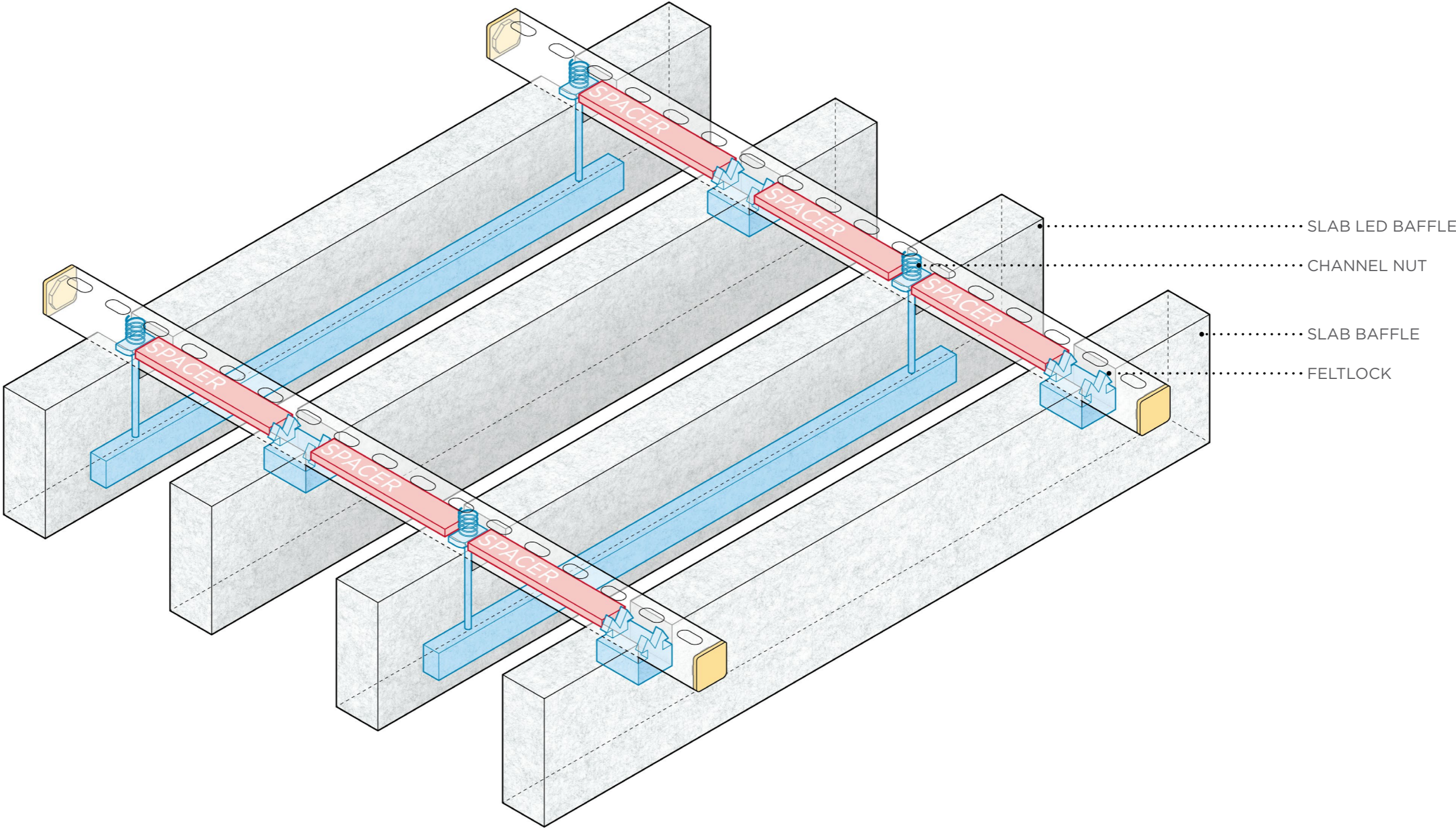
TYPICAL + BALANCED SPACING

Standard products with a regular, consistent spacing. This example layout shows Straight Baffles with a FeltLock.



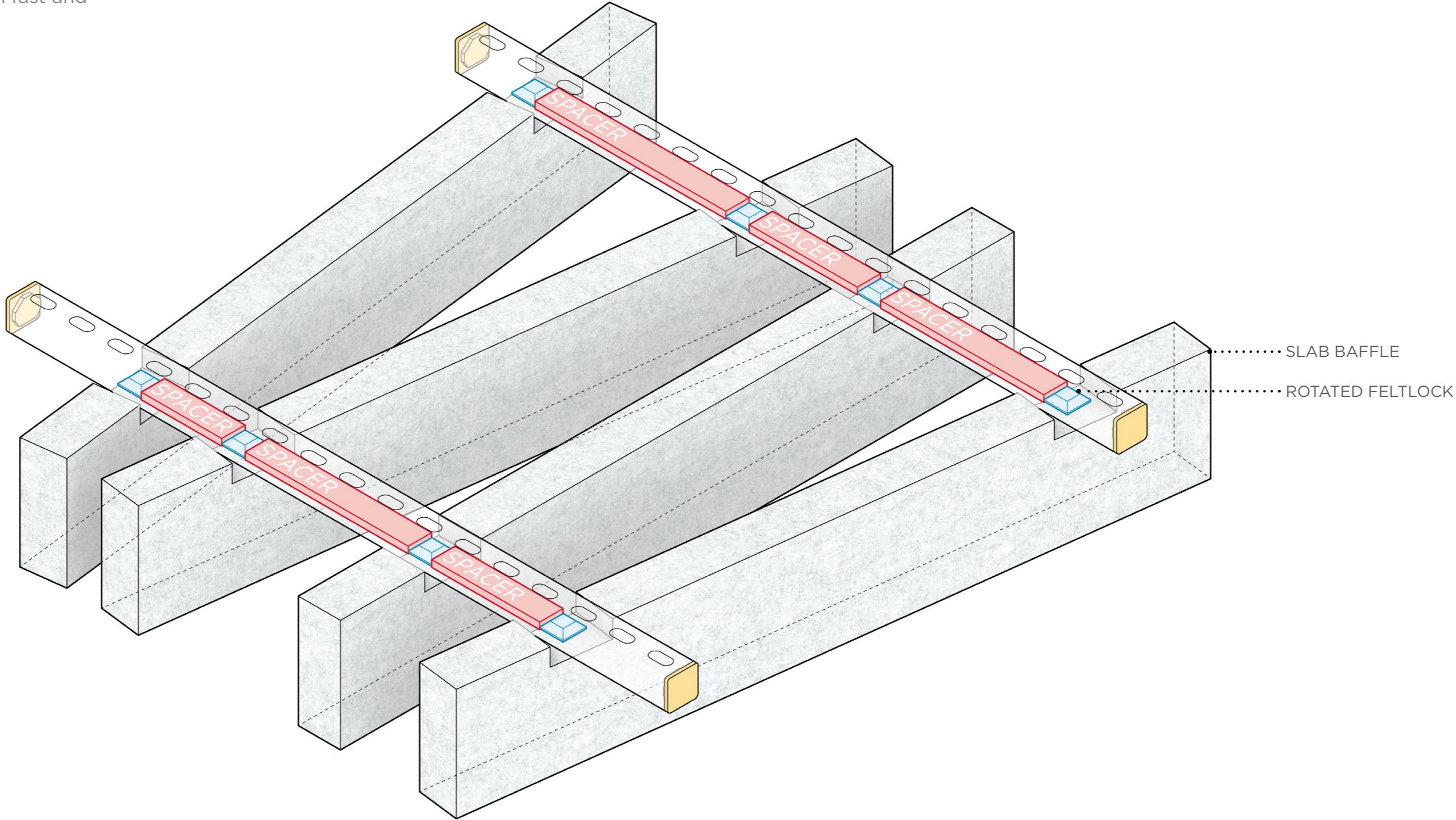
MIXED PRODUCTS + CONNECTIONS

Pair any Turf product with any Unistrut connection in the same product layout. This example layout shows Slab Baffles with FeltLock coordinated with Slab LED Baffles that use a threaded rod to connect to a channel nut.



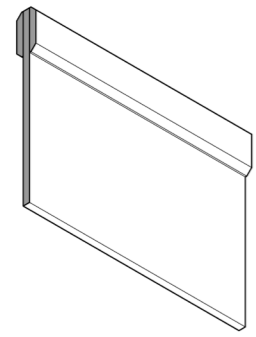
ROTATED + IRREGULAR LAYOUTS

Rotated baffles and irregular spacing can be achieved with Turf's Rotated FeltLock or Channel Nut connection. This example layout shows Slab baffles with a Rotated FeltLock connection. For this example, each spacer would be unique and labeled with a tag to make installation fast and accurate.

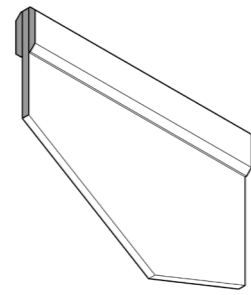


PRODUCT + CONNECTION MATRIX

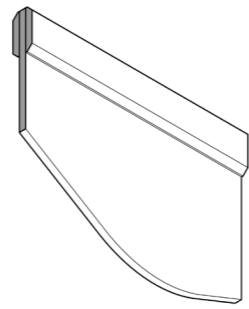
These TURF baffles connect to Unistrut and are compatible with felt spacers.



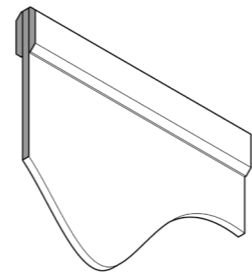
STRAIGHT



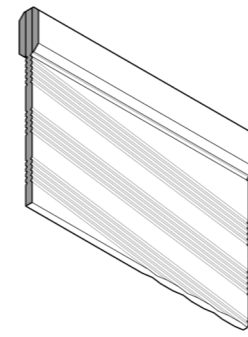
RIDGE



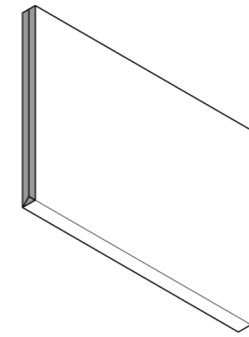
TORRENT



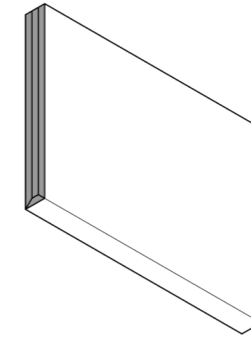
CONTOUR



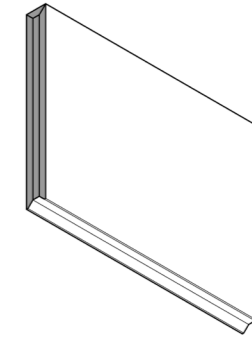
CARVED



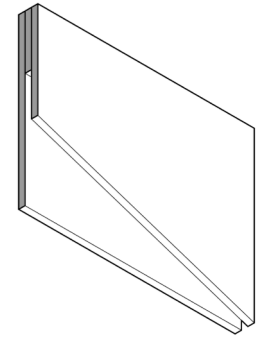
TIMBER



DATUM

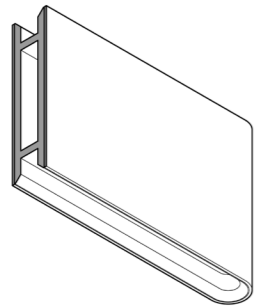


REVEAL

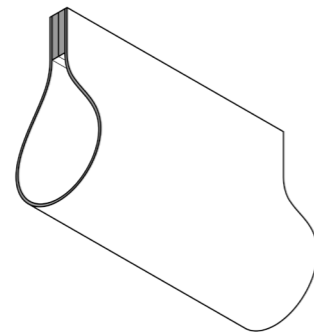


DOPPELGANGER

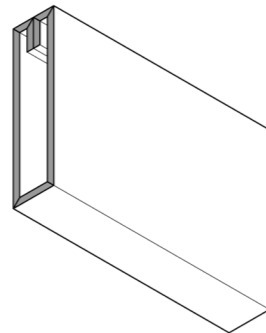
FELTLOCK	YES	YES	YES	YES	YES	YES	YES	YES	YES
ROTATED FELTLOCK	YES	YES	YES	YES	YES	NO	YES	YES	YES
CHANNEL NUT	YES	YES	YES	YES	YES	YES	YES	YES	YES



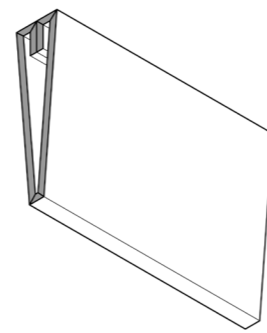
WARP



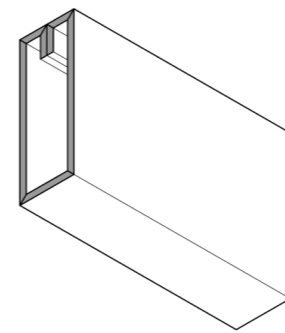
DROP



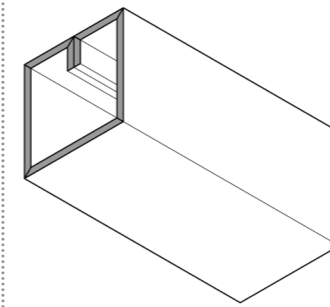
SLAB



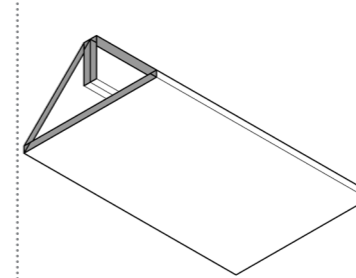
WEDGE



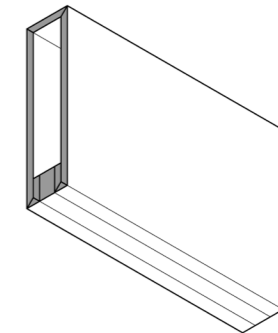
BEAM



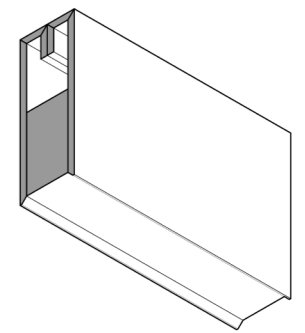
BLOCK



BOOMSTICK



SLAB LED



BEAM LED

FELTLOCK	YES	YES	YES	YES	YES	YES	YES	NO	NO
ROTATED FELTLOCK	NO	NO	YES	NO	NO	NO	NO	NO	NO
CHANNEL NUT	YES	YES	YES	YES	YES	YES	YES	YES	YES

YUNIF