

Acoustic Ceiling Baffle

# Carved

Dazzling geometric detail

Carved baffles dazzle with geometric detail. Easy to install, they pair a simple shape with complex interior line work, a subtle nod to the quiet, powerful presence of stone carvings.



Photograph by Moris Moreno

# How To Specify

**Key Information**

Carved baffle can take shape in your space in a variety of ways. Consider these questions as you design your layout.

**Spacers & End Caps**

Turf supplies Spacers & End Caps for baffle orders that require P1000T unistrut.

Please note, Spacers & End Caps will be 07 Black unless specified otherwise.

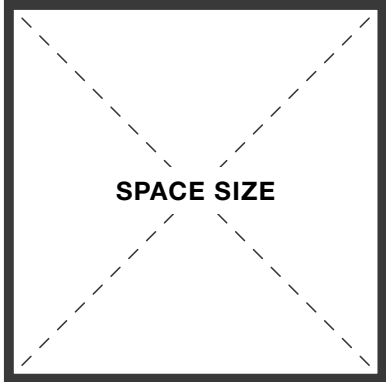
Follow the link below for more detailed information.

[Spacers & End Caps Guide](#)

**Magnetic Connection**

The availability of magnetic connection types may be limited due to import restrictions. Please confirm your connection type with your local Turf Rep or Account Manager.


**1**



**SPACE SIZE**

What are the dimensions of the space?

**2**

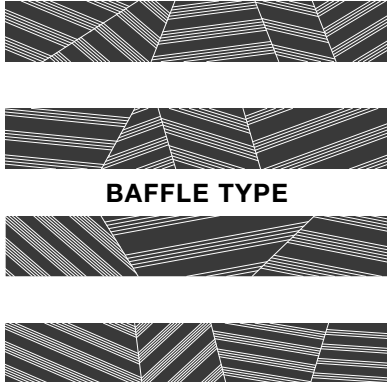


**DEPTH**

What is the baffle depth?

PAGE 3

**3**

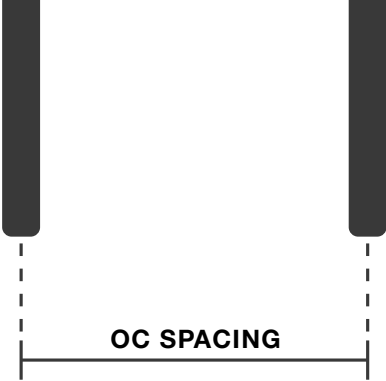


**BAFFLE TYPE**

Which baffle type or types are you interested in?

PAGE 4

**4**

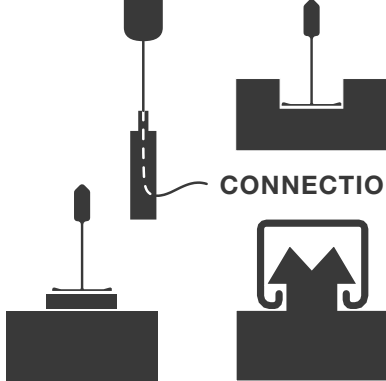


**OC SPACING**

What is the on center spacing?

PAGE 5

**5**

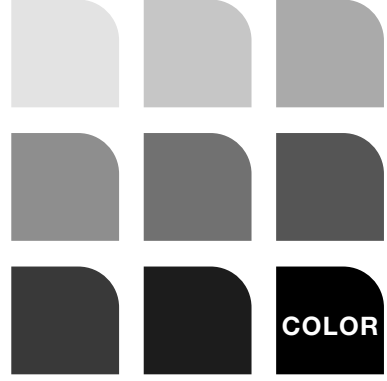


**CONNECTION**

How will Carved Baffle mount to the ceiling?

PAGE 5-6

**6**



**COLOR**

What is the color?

PAGE 9



# Dimensions

Variable Length	12"L Min - 119"L Max
Standard Depths	7.5"D, 9.375"D, 11.5"D
Baffle Types	1, 2, 3, 4

See Baffle Types page for more information.

# Recommended Connection Options

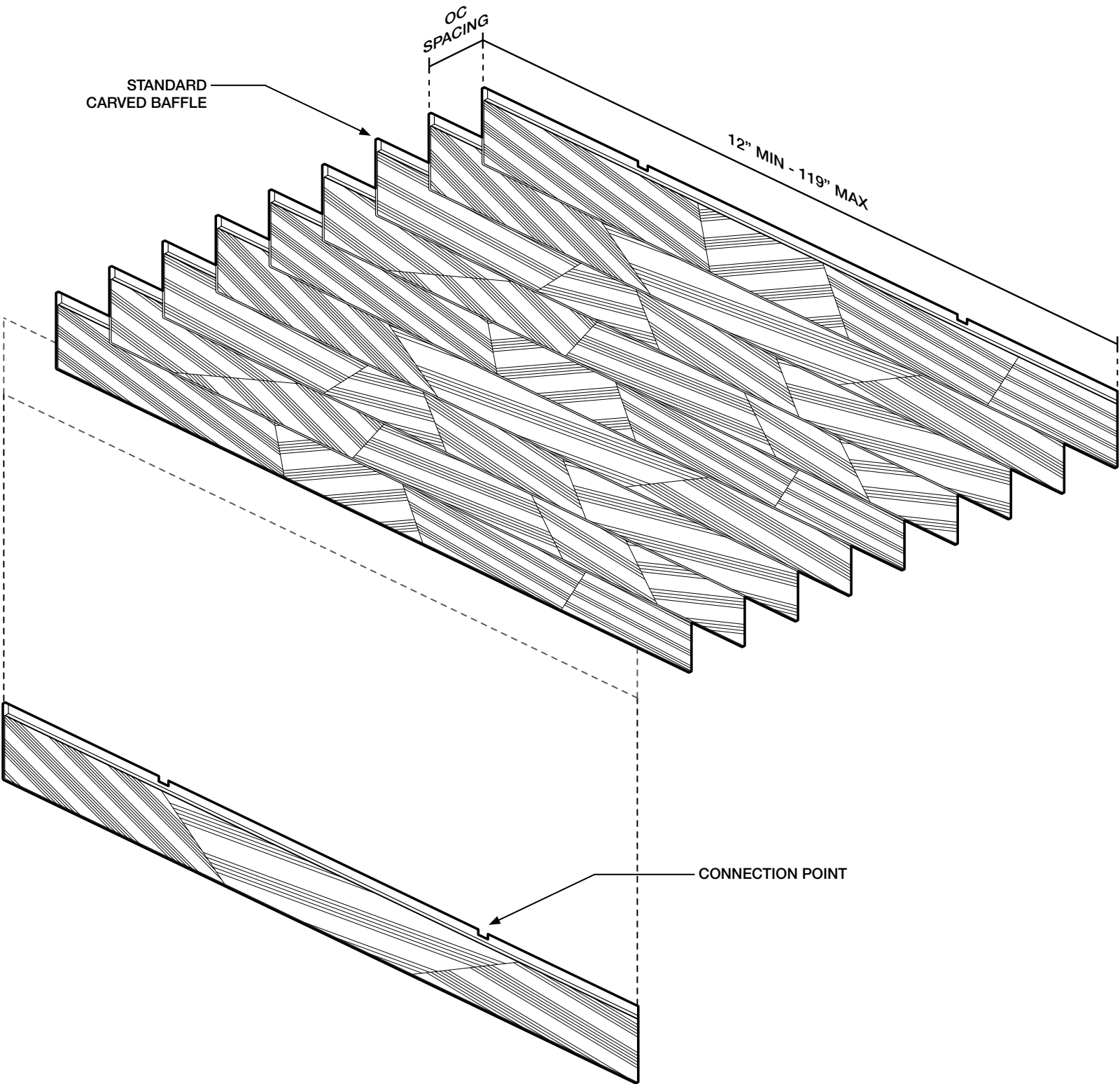
P1000T Unistrut	FeltLock™
9/16" or 15/16" Tee Grid	Gridlock™
Cable Hung	Cable To Deck
Magnetic	Exposed Magnet

Magnetic connections are affected by import restrictions, please confirm with your local Turf Rep or Account Manager.

See our Recommended & Alternative Connections pages for more connection options.

# Color

9mm Palette	Carved Baffle can be specified in any of our 9mm felt colors.
-------------	---



ALL DIMENSIONS NOMINAL UNLESS NOTED OTHERWISE



# Baffle Types

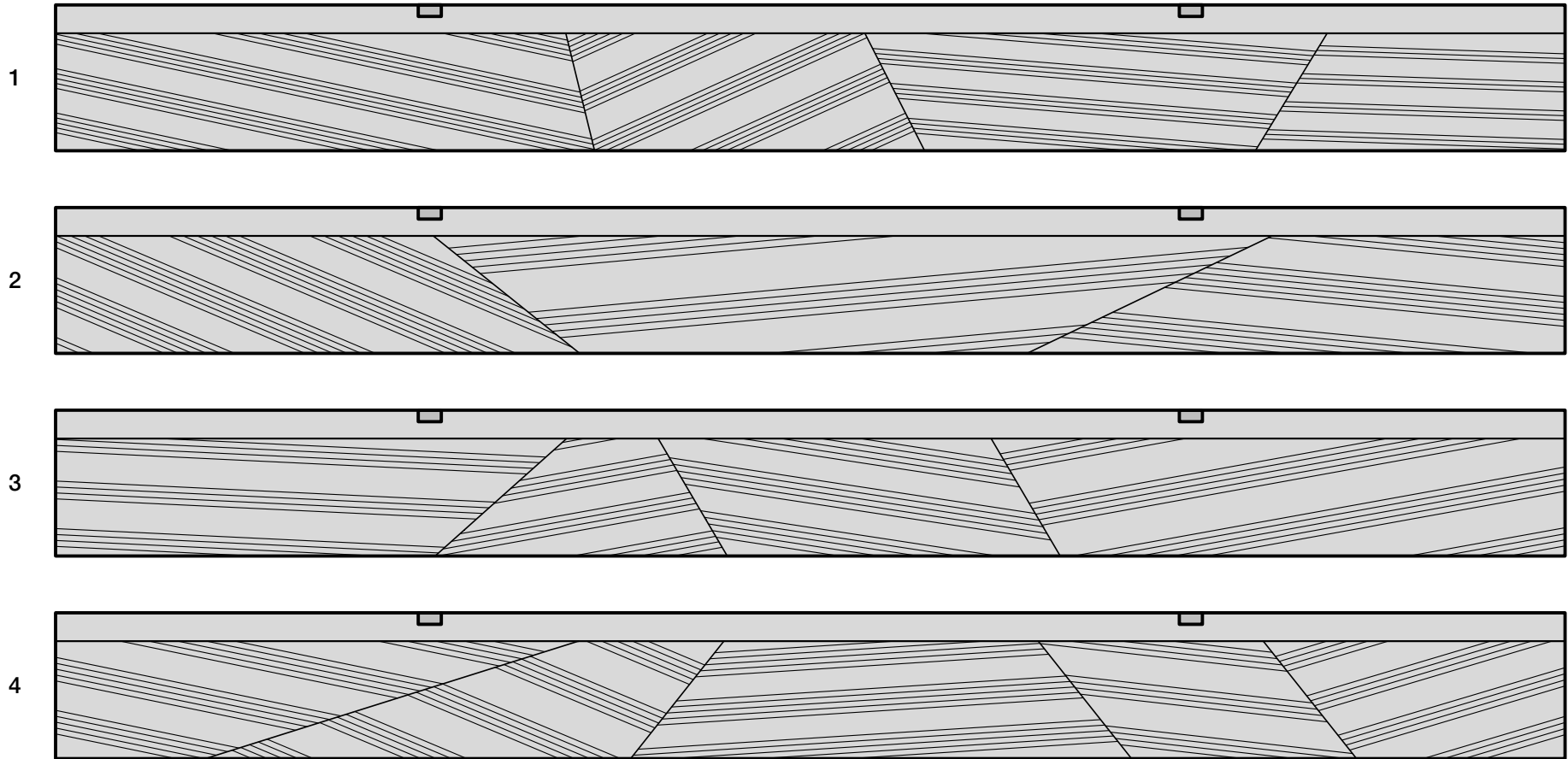
**Carved Pattern**

The Carved Baffle pattern is made of four unique baffles 1, 2, 3 & 4. The baffles can be installed as a single type in a uniform array, or multiple types arranged in any sequence.

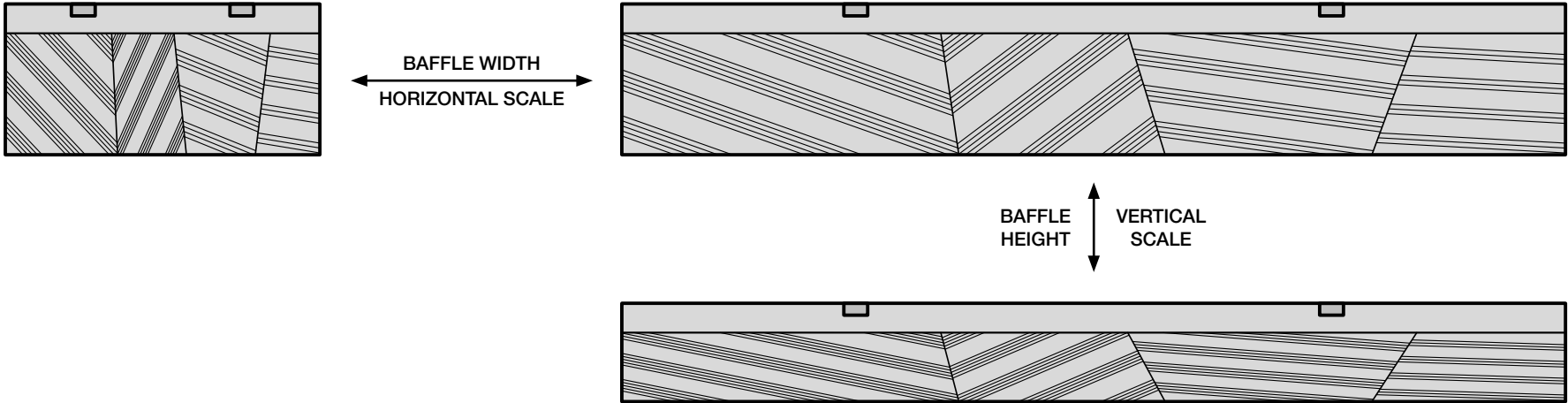
**Pattern Scaling**

Please note, the unique pattern on each baffle type will scale horizontally and vertically depending on baffle depth and height.

**BAFFLE TYPE**



**PATTERN SCALING**



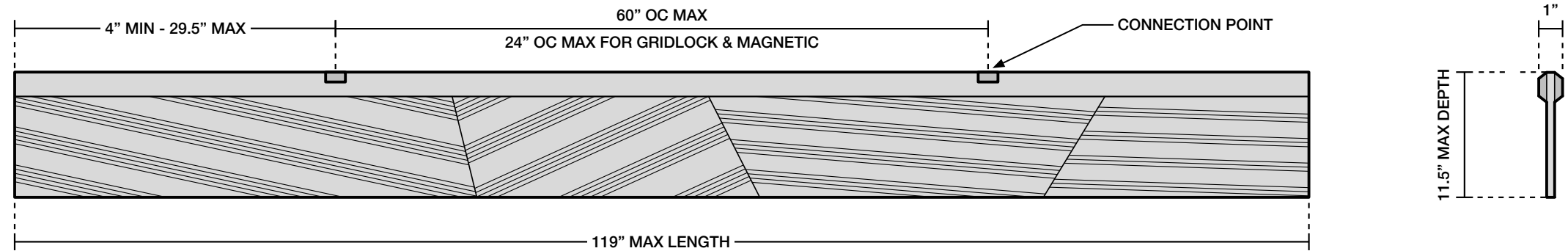
# Recommended Connections

Connection Spacing

60" OC Max

Spacing varies per project. Baffles require a minimum of two connection points.

## CONNECTION SPACING



FeltLock

Products with Turf's patented FeltLock flex and compress to insert into Unistrut.

P1000T Unistrut, raw galvanized finish or powder-coated, hardware is required.

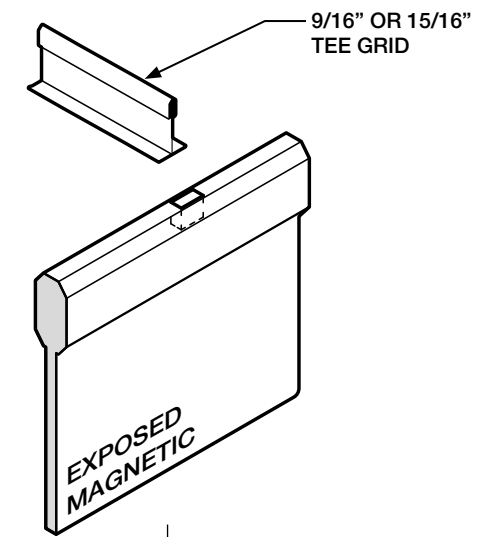
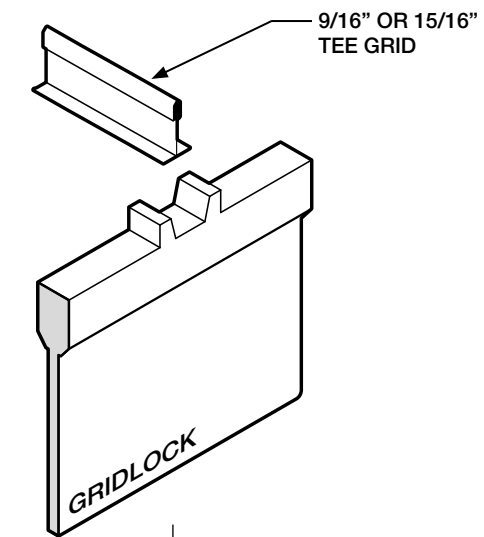
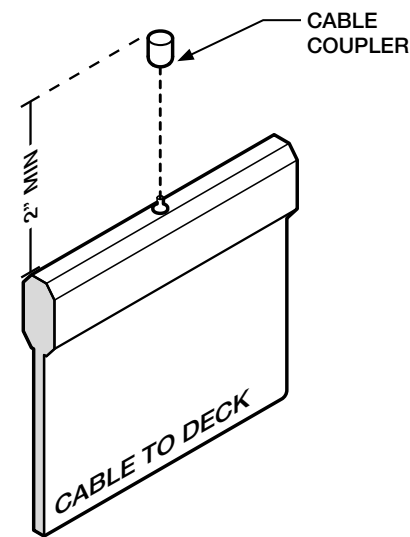
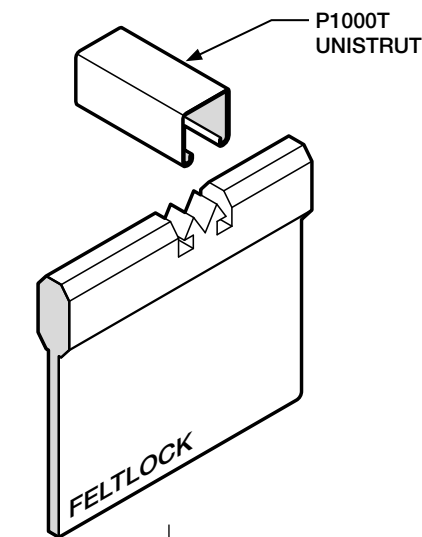
Painted unistrut may damage FeltLock installations and will void the product warranty.

## RECOMMENDED CONNECTIONS

Cable To Deck

Baffles with embedded cable grippers snap into deck-mounted aircraft cables.

10' aircraft cable supplied by Turf should be trimmed in the field as needed.

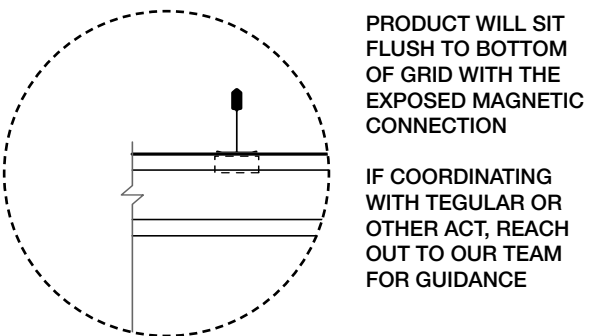
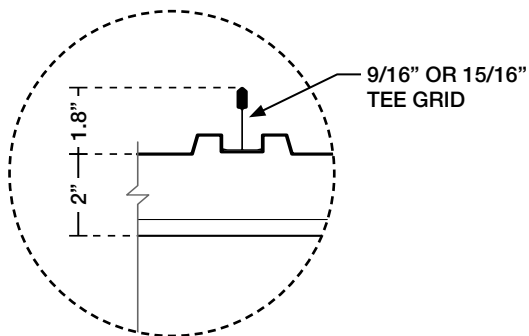
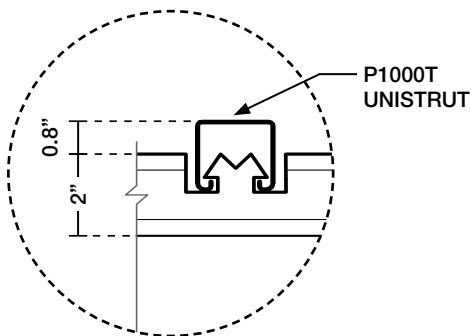


Gridlock

The Gridlock attachment flexes to grasp the tee grid. Gridlock is incompatible with ACT tiles.

9/16" or 15/16" flat tee grid, or 9/16" bolt-slot tee grid is required.

The maximum spacing for this connection is 24" OC.



Exposed Magnetic

A powerful attachment to 9/16" or 15/16" tee grid for secure and easy installation.

The maximum spacing for this connection is 24" OC.

ALL DIMENSIONS NOMINAL UNLESS NOTED OTHERWISE



# Alternative Connections

**Additional Options**

Beyond our standard connections, we offer the following connection options for Carved Baffle too.

**P1000T Unistrut**

Cable to Unistrut  
Threaded Rod to Unistrut  
Rotated FeltLock

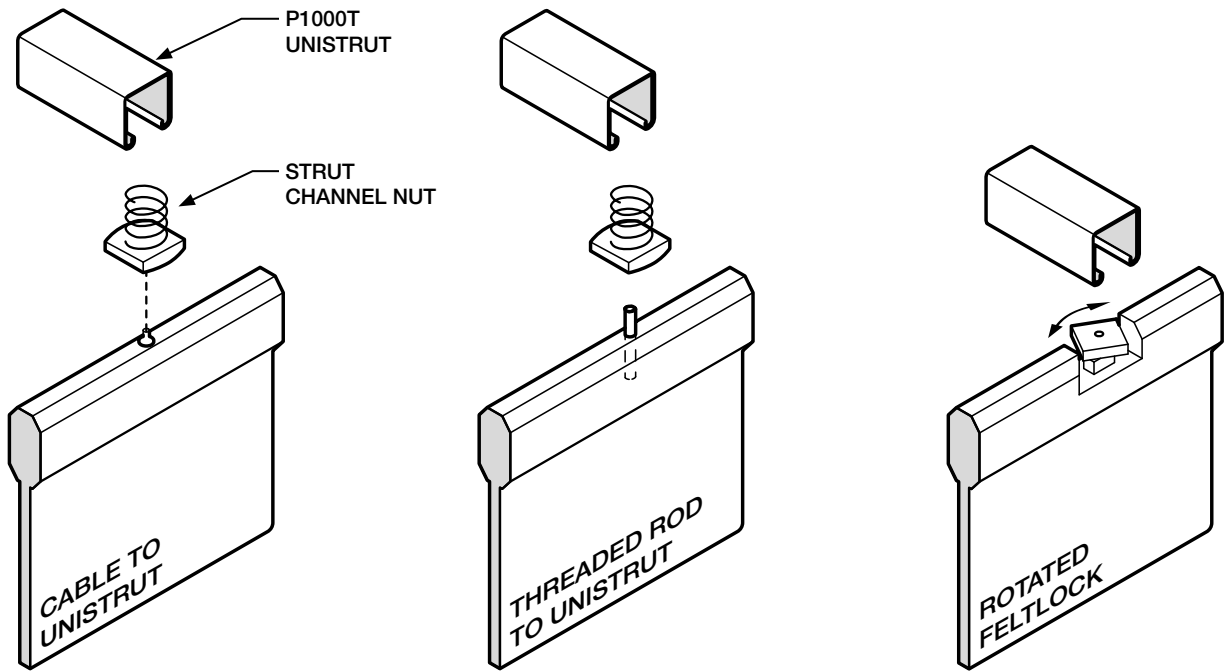
**9/16" or 15/16" Tee Grid**

Cable to Tee Grid  
Embedded Nut to Bolt-Slot  
Grid Clip

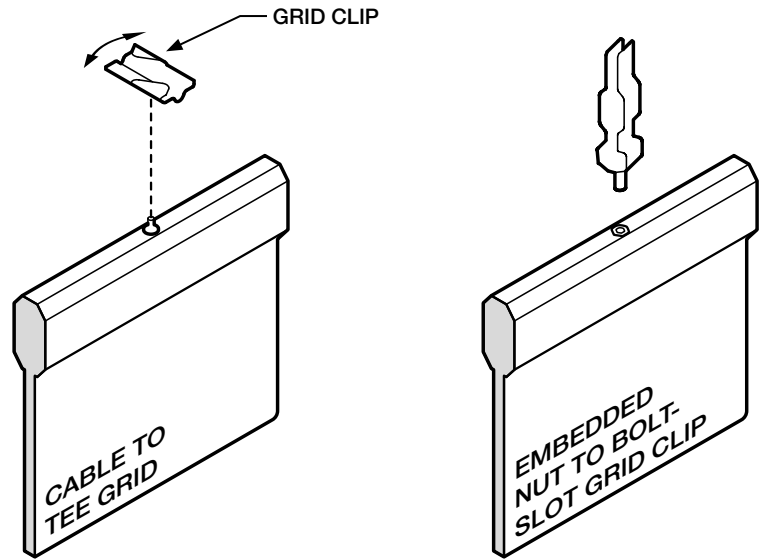
**Miscellaneous**

Embedded Nut  
Threaded Rod

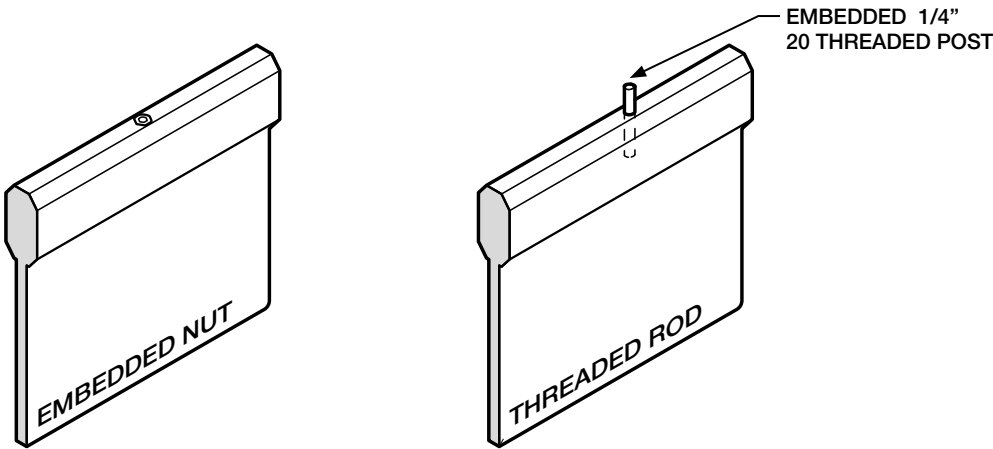
**ALTERNATIVE UNISTRUT CONNECTIONS**



**ALTERNATIVE TEE GRID CONNECTIONS**



**ALTERNATIVE MISCELLANEOUS CONNECTIONS**



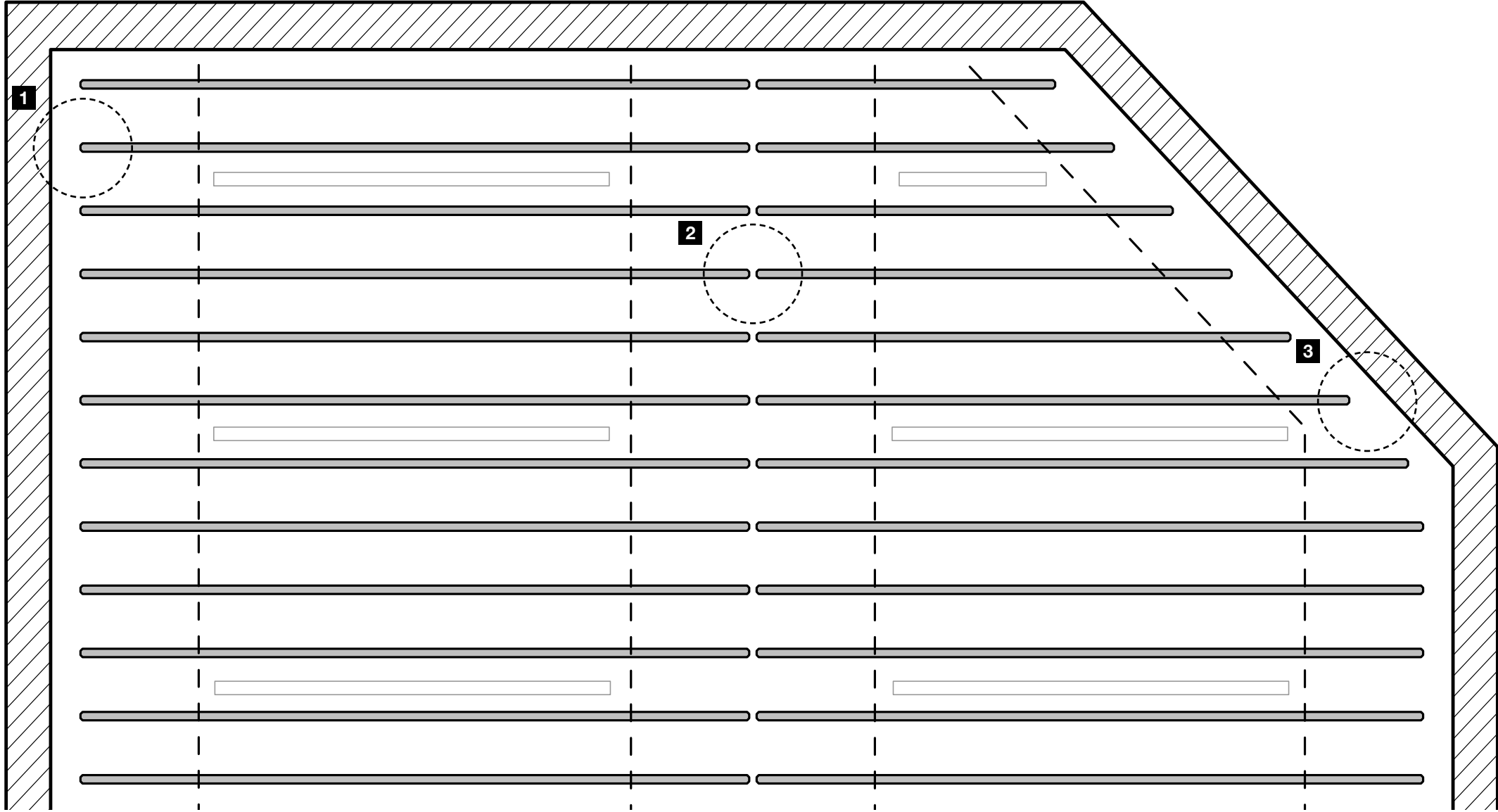
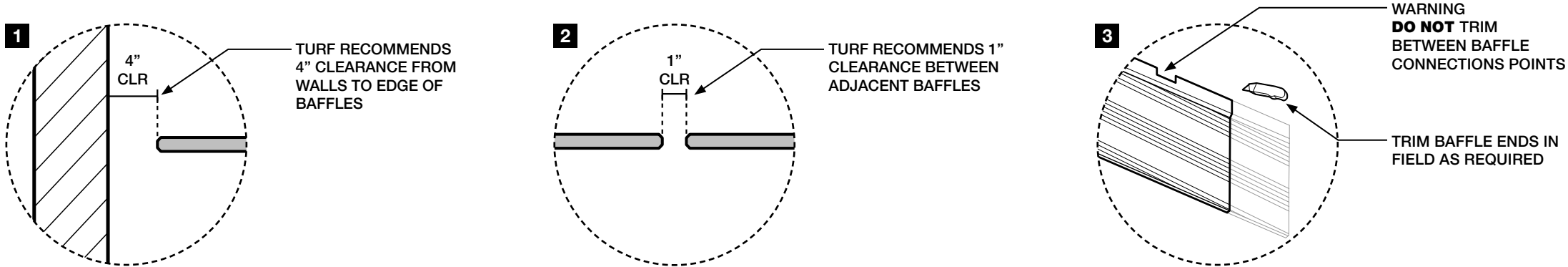
# Layout Considerations

**Wall Clearance** Turf recommends a 4" clearance from the wall to our baffles.

**Adjacent Baffle Clearance** Turf recommends a 1" gap between all rows of baffles. This clearance supports a uniform look and build.

**Trim in Field** Carved Baffle ends can be trimmed in field as required.

Please do not trim between baffle connection points or connection pieces.



CARVED BAFFLE - EXAMPLE RCP



## Tech

Acoustics	ASTM C 423-17: Type J
Fire Rating	ASTM E-84 – Class A
VOC	ASTM D5116 Compliant

## Details

Lead Time	Check the Turf website for current lead times.
Warranty	Five (5) years
Maintenance	Vacuum to remove any particulate matter and air-borne debris or dust. Compressed air can be used to dust the material in difficult to reach areas for large assemblies. Contact us for more information relative to spot cleaning.
Weight	Turf products cannot support the weight of any other items in field.
Trademarks	Turf®, FeltLock™, GridLock™, T™ are trademarks of Turf Design, Inc. and/or its affiliates © 2025 Turf Design Inc. Printed in the United States of America
Intellectual Property	This product may be the subject of one or more patents or pending patent applications.  For related patent information <a href="https://turf.design/ip">https://turf.design/ip</a>

## Acoustic Rating

Carved Baffle NRC				
Depth	6" OC	12" OC	18" OC	24" OC
7.5"	0.65	0.50	0.35	0.30
9.375"	0.75	0.55	0.45	0.40
12"		0.65	0.55	0.45

The table displays information for an array of sound absorbing baffles suspended by cables, evenly distributed in four rows of four units.

## Certifications

**Declare.**



Image by CATK



Photograph by Moris Moreno



# 9mm Colors

Our expanded 9mm Hues palette has been updated to include 42 colors.

The 9mm PET felt board is used as our primary construction material. Select one of our coordinating neutrals to blend in, or go for a contrasting element with one of our hues.

The process used to create PET felt often results in a heathered effect where multiple tones are present. Slight variations in color should be expected when using this sustainable material.

**Felt Thickness**  
9mm +/-0.5 mm

**Monitors and printers vary.**  
Please request a material sample to verify felt colors.

