

Acoustic Ceiling Tile

Voronoi

Seeing patterns

Acoustic tile pieces become alluring patterns in Voronoi. This diagrammatic ceiling offers easy-to-install visual oomph. Efficient and beautiful, Voronoi stops unwanted sound while stunning spectators.



Image by Blaque

How To Specify

Key Information

Voronoi is a single tile system that is designed to change orientations to create a tessellated surface. Consider these questions as you design your layout.

If shop drawings are required for your project, please follow steps 1 - 5.

Fast Track

If you're looking to expedite your project, this product is available as Turf Fast Track!

Using Fast Track, our standard lead time for shop drawings is eliminated allowing the project to move directly into production.

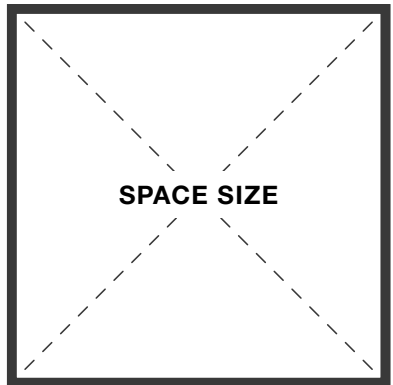
Please note, installation and seaming drawings are not included in this process.

Turf recommends 10-15% additional tiles to cover overage / attic stock.

Magnetic Clips

The availability of magnetic connection types may be limited due to import restrictions. Please confirm your connection type with your local Turf Rep or Account Manager.

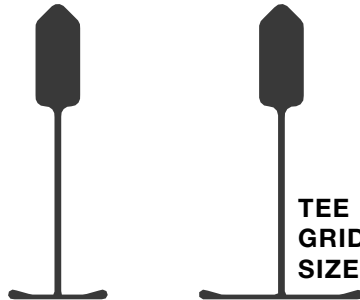
1



What are the dimensions of the space?

PAGE 3

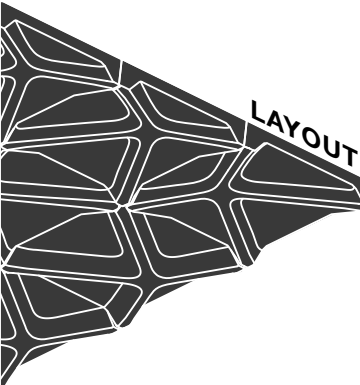
2



What is the size of the tee grid?

PAGE 3

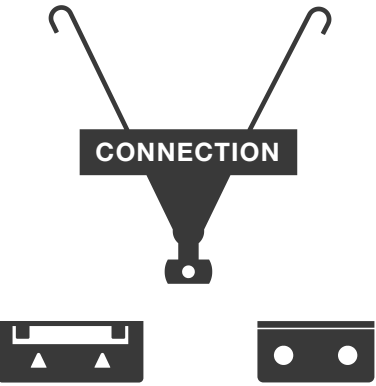
3



What is the proposed layout?

PAGE 4

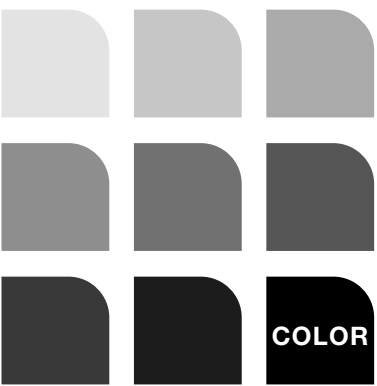
4



How will Voronoi Tiles mount to the ceiling?

PAGE 5


5



What is the color?

PAGE 10

FAST TRACK



1. Are you using 9/16" or 15/16" tee grid?
2. Are you using Magnetic Clip, Grid Clip or Torsion Spring connection?
3. What is the color of the tiles?
4. How many tiles do you need?
5. Do you need additional infill tiles?
6. Do you want to include any additional product for overage or attic stock?



Dimensions

Standard Size 24"L x 24"W x 4"D
 See Tile Types & Layouts page for more details.

Connection Options

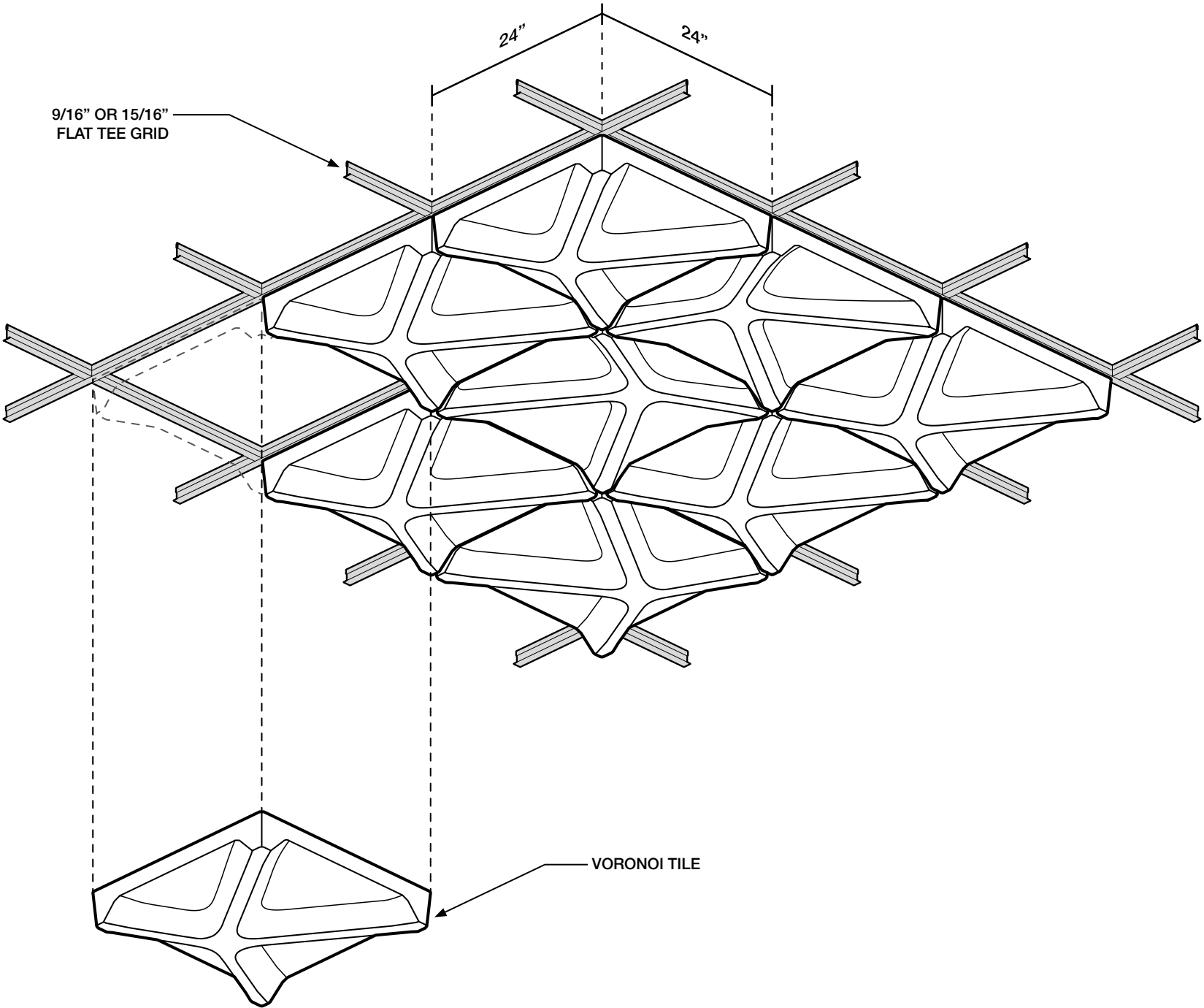
9/16" or 15/16" Flat Tee Grid
 Magnetic Clips
 Grid Clips
 Torsion Spring
 See Connections page for more details.

Magnetic Clips
 Magnetic clips are affected by import restrictions, please confirm with your local Turf Rep or Account Manager.

Color

5mm Palette
 Voronoi Tiles can be specified in any of our 5mm felt colors.

Tee Grid Color
 Turf recommends coordinating the tee grid color with our 5mm tile color to account for flexibility in the material. For example, using black tee grid with M07 Onyx.



ALL DIMENSIONS NOMINAL UNLESS NOTED OTHERWISE

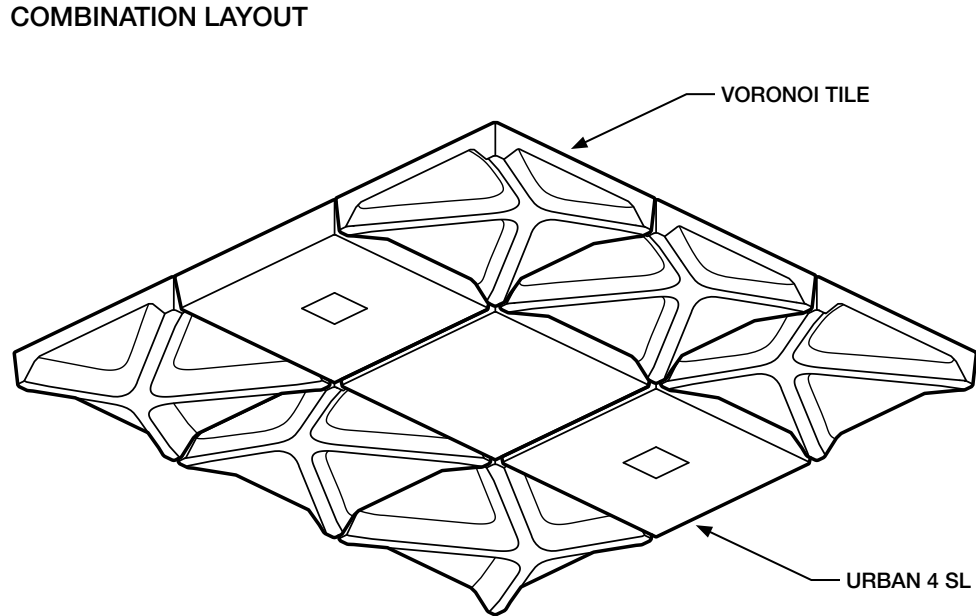
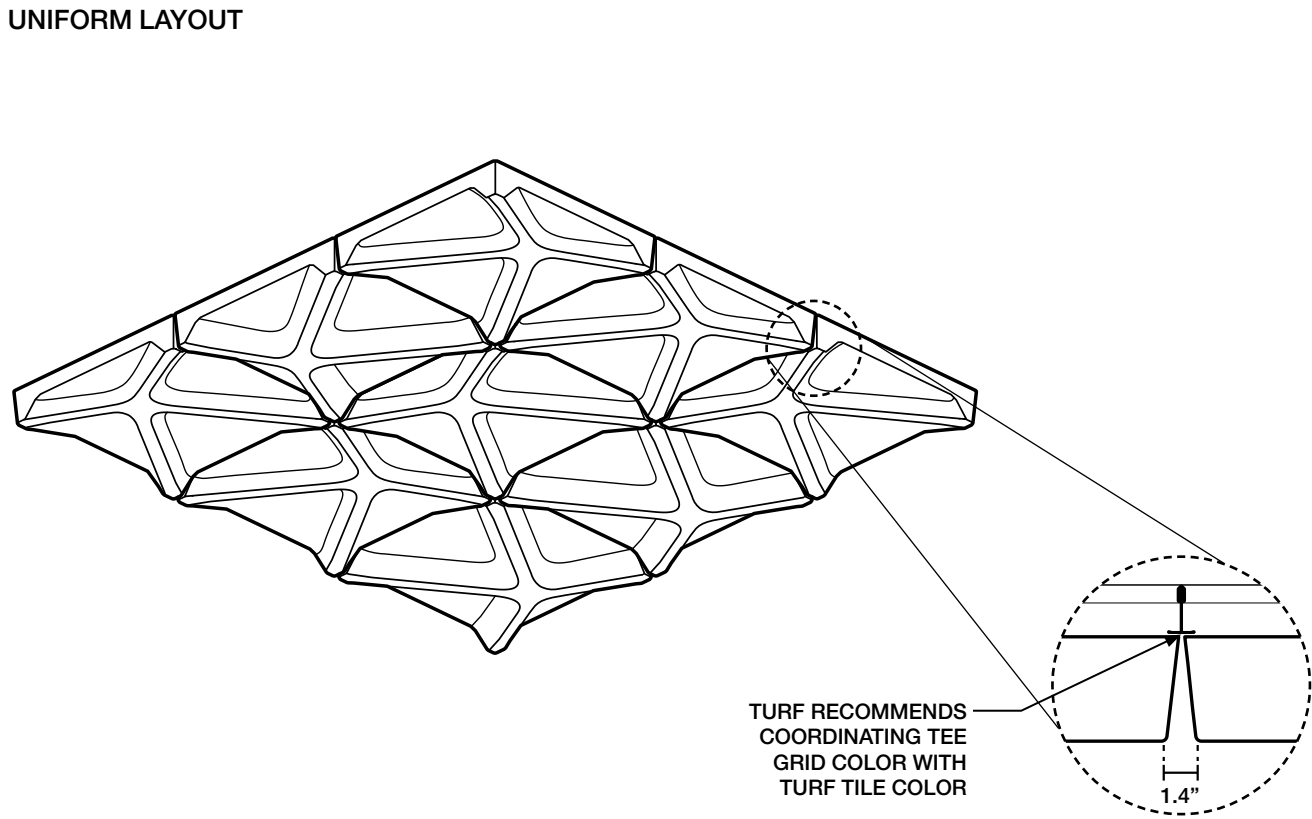
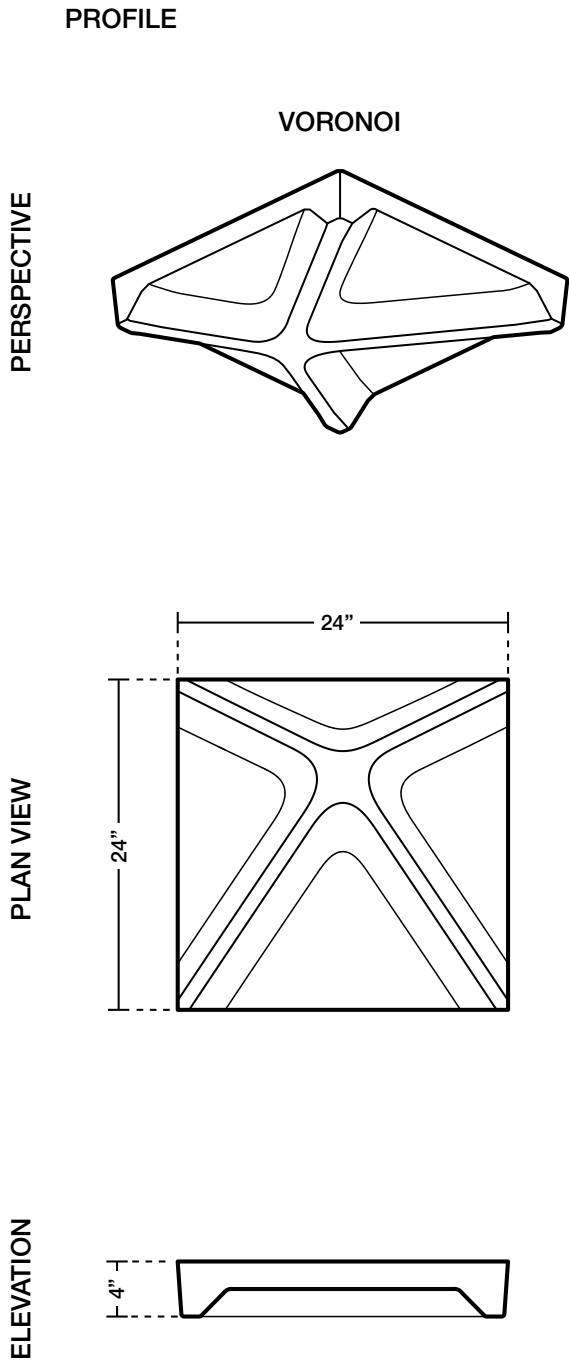


Tile Types & Layouts

Design Voronoi is a single tile system that can be repeated and rotated to create something complex.

Uniform Rotate the tiles to create a varied and tessellated surface.

Combination Turf tiles are designed to have compatibility across our entire line.



ALL DIMENSIONS NOMINAL UNLESS NOTED OTHERWISE



Connections

9/16" or 15/16" Tee Grid

Magnetic Clips
Grid Clips
Torsion Spring

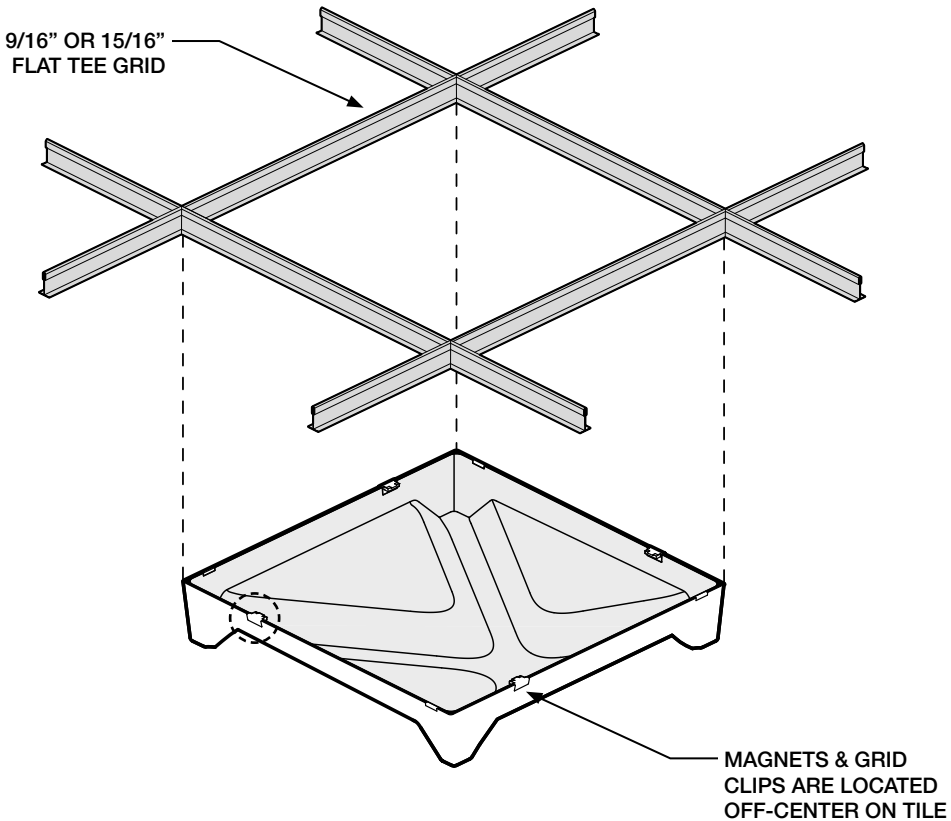
Seismic Connection

If your project is located in a seismic zone, use our Torsion Spring connection.

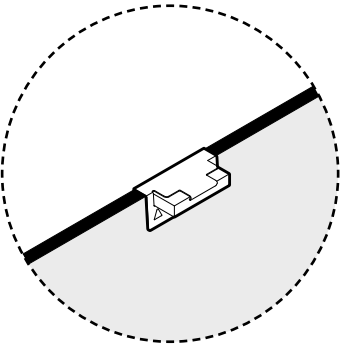
Angled Installation

If installing product on an angle, Turf recommends using our Torsion Spring connection with a maximum angle of 15°.

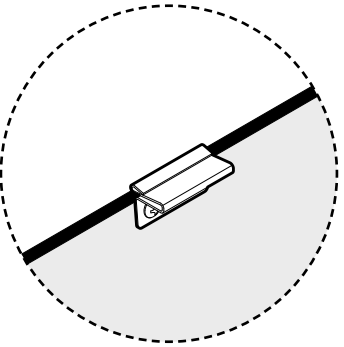
MAGNETIC CLIP & GRID CLIP



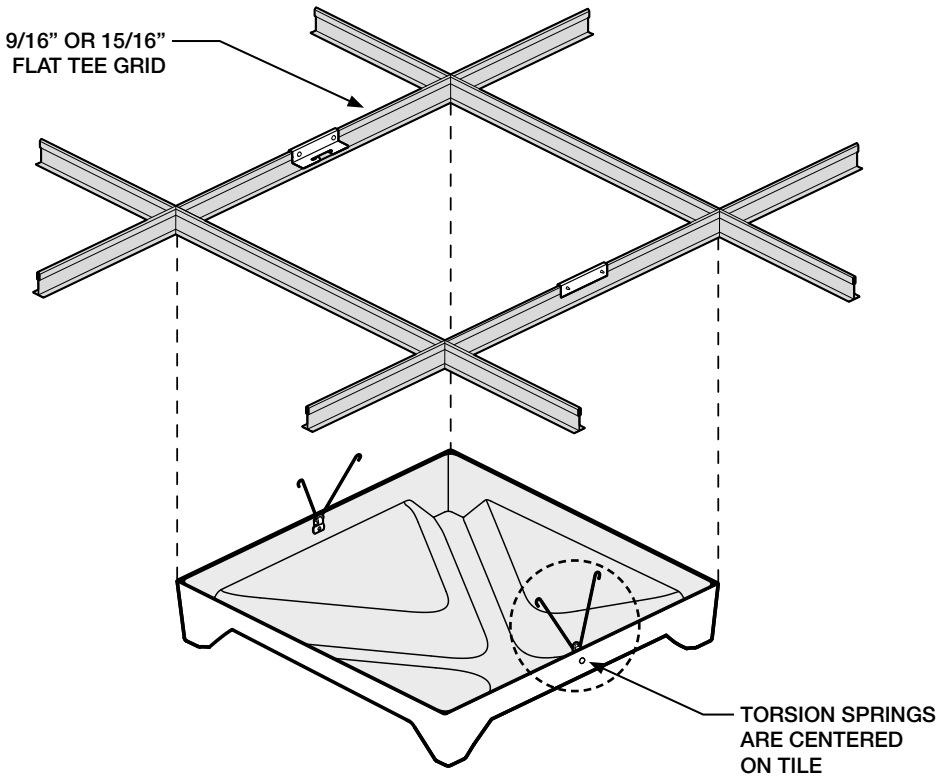
MAGNETIC CLIP



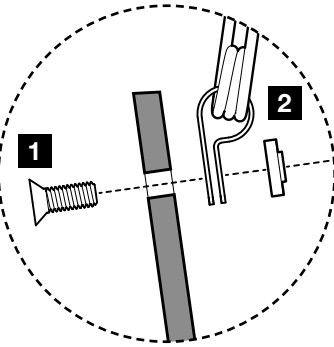
GRID CLIP



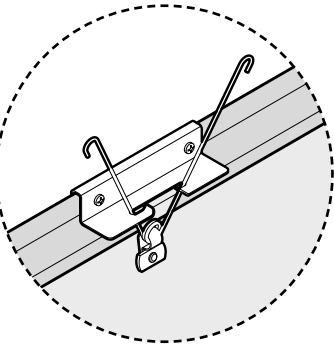
TORSION SPRING



TORSION SPRING ASSEMBLY



TORSION SPRING LOCKED IN PLACE



- 1** DRILL 1" SCREW THROUGH ONE OF THE PRECUT HOLES IN TILE
- 2** PLACE LOOP CLAMP THROUGH CENTER OF SPRING AND USE WELD NUT TO HOLD ENTIRE ASSEMBLY IN PLACE

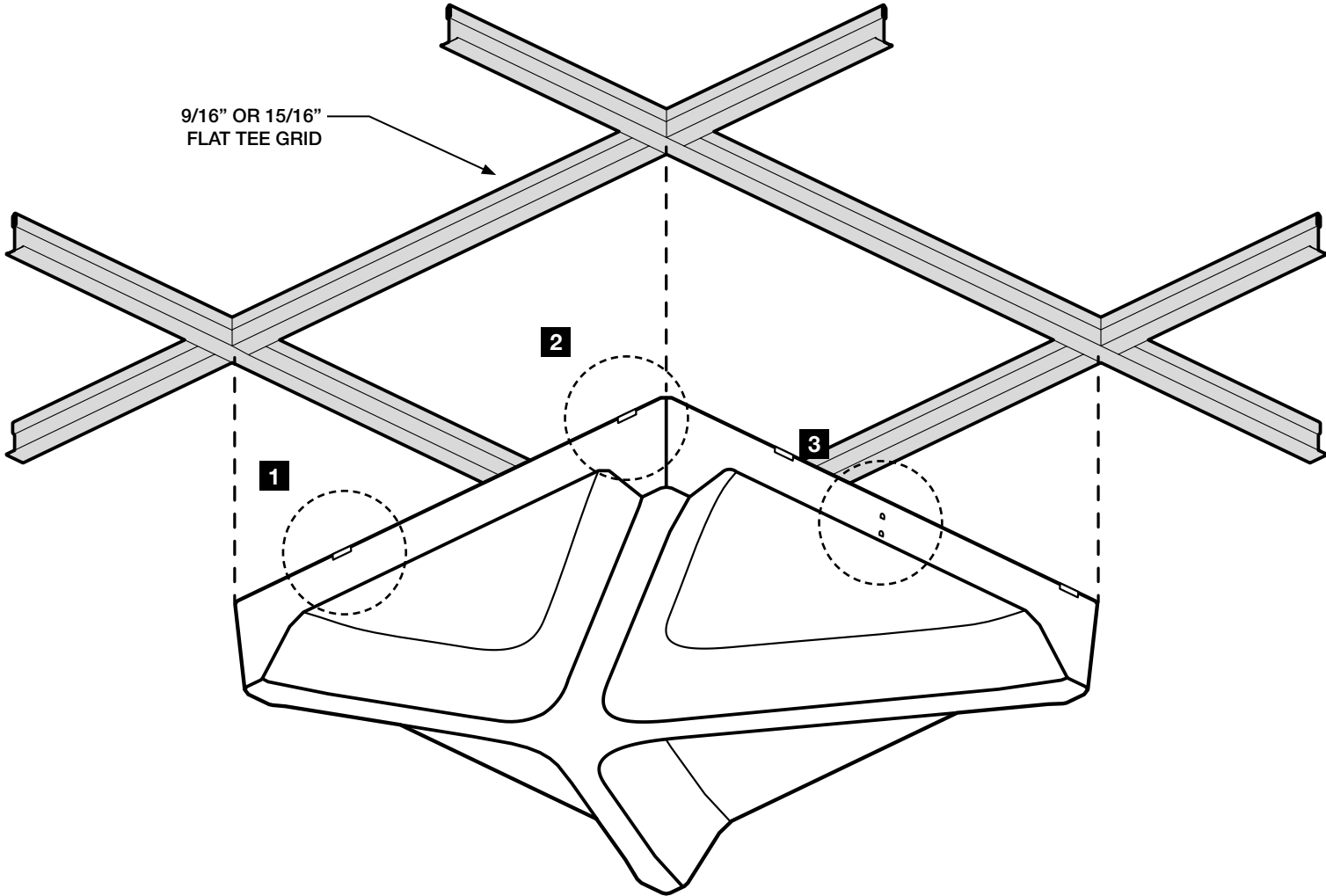
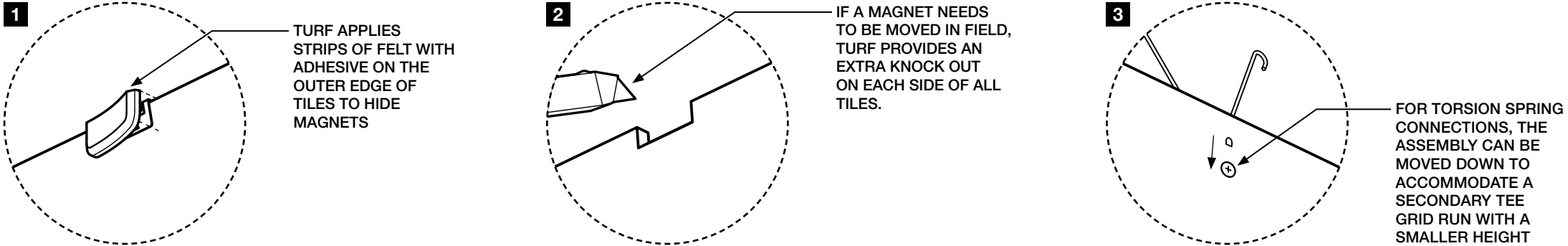


Mounting Considerations

Adhesive Strips The adhesive strips are used to hide the exposed edge of the magnets.

Knock Outs Each side of the tile includes pre-cut knock outs in case magnets need to be moved during installation.

Torsion Spring Assembly The Torsion Spring mounting height can be adjusted in field.



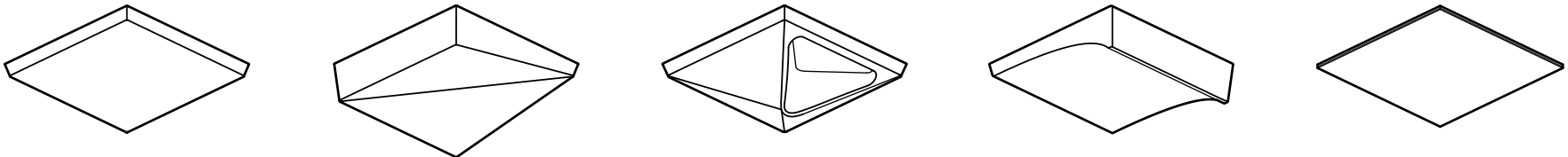
Tile Coordination

Tile Line Tiles within the same family or similar depths can work well together.
See Typical Layouts page for examples.

Infill Tiles Plain, flat tiles can be used where field cutting is required to work around obstructions.
Infill tiles act like traditional lay-in ACT tiles. Magnets can be added upon request to hide the grid.

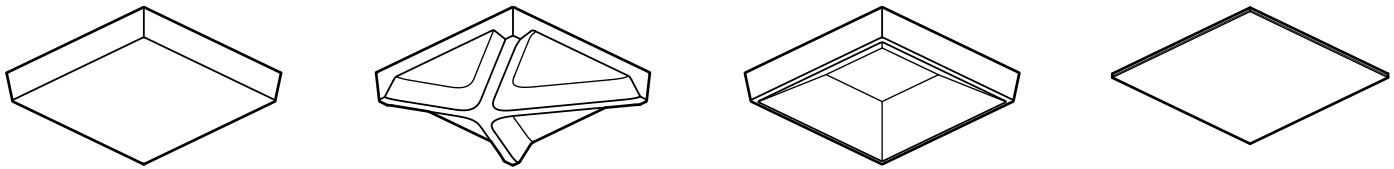
Infill Standard Size 24"L x 24"W x 14mm D

2" DEEP COORDINATION



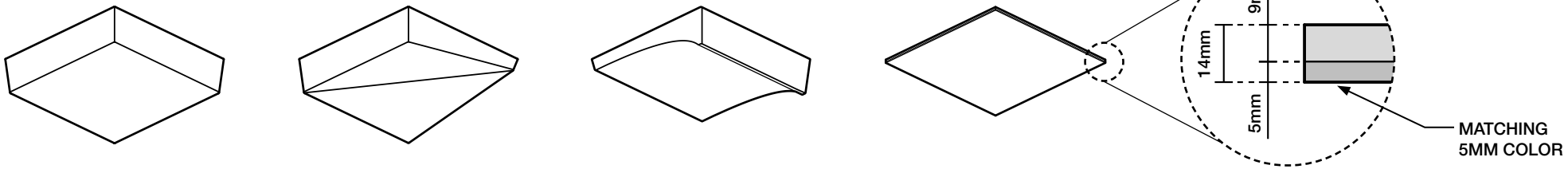
URBAN 2 CREASE PYRAMID ARCADE INFILL TILE

4" DEEP COORDINATION



URBAN 4 VORONOI PORT INFILL TILE

6" DEEP COORDINATION



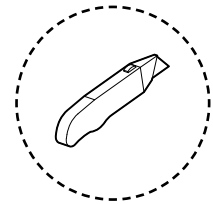
URBAN 6 CREASE ARCADE INFILL TILE



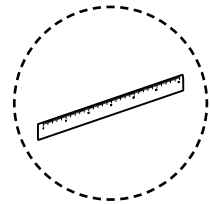
Trim Guide

Our tiles are designed to install quickly, with modifications that are easily done in the field.

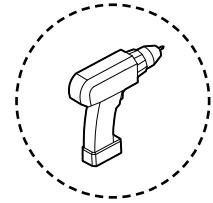
Tools Required



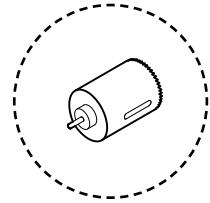
SHARP BLADE



STRAIGHT EDGE



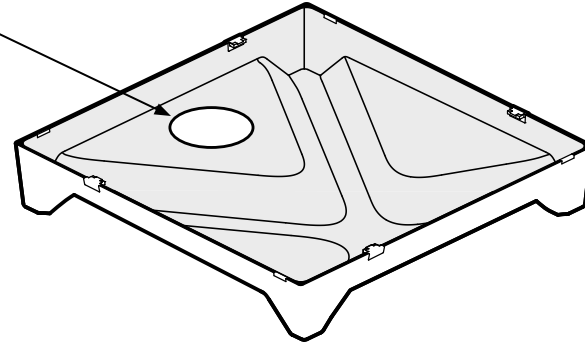
DRILL



HOLE SAW

1 - TRIM OR DRILL TILE FACE

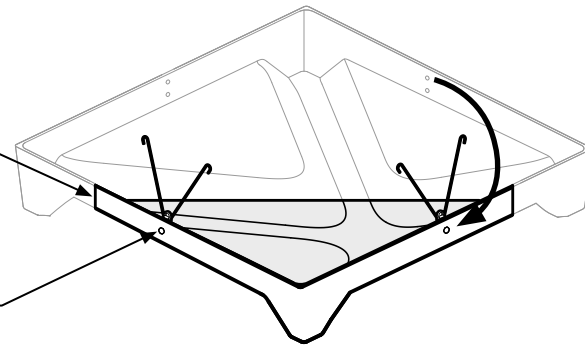
TRIM OR DRILL TILE FACE TO ACCOMMODATE FIXTURES AND OBSTRUCTIONS



*PLEASE NOTE, TO CUT CIRCULAR HOLES TURF RECOMMENDS USING A HOLE SAW IN REVERSE FOR A CLEANER EDGE

3 - TRIM TILE TO FIT - TORSION SPRING

TRIM TILE AS REQUIRED TO FIT SPACE

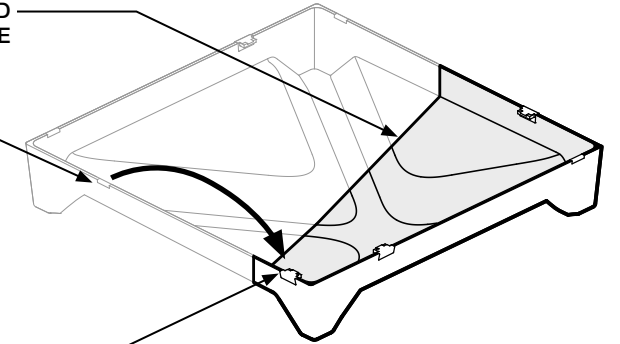


TURF RECOMMENDS THAT TILES MAINTAIN A MINIMUM OF TWO CONNECTION POINTS FOR TORSION SPRINGS, MOVE SPRINGS AS REQUIRED

2 - TRIM TILE TO FIT - MAGNETIC OR GRID CLIPS

TRIM TILE AS REQUIRED TO FIT SPACE

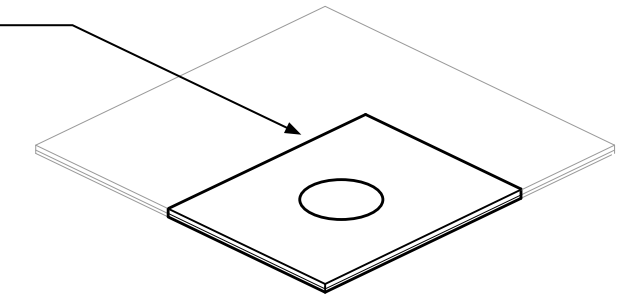
MAGNETS OR CLIPS CAN BE MOVED AS REQUIRED. ADDITIONAL MAGNETS OR CLIPS CAN BE ADDED IN FIELD.



TURF RECOMMENDS THAT TILES MAINTAIN A MINIMUM OF THREE CONNECTION POINTS FOR MAGNETIC OR GRID CLIPS

4 - TRIM OR DRILL INFILL TILE

TRIM OR DRILL TILE TO ACCOMMODATE FIXTURES AND OBSTRUCTIONS



*PLEASE NOTE, TO CUT CIRCULAR HOLES TURF RECOMMENDS USING A HOLE SAW IN REVERSE FOR A CLEANER EDGE

Tech

Acoustics	ASTM C423-17 Type E-400 Mounting
Fire Rating	ASTM E-84 – Class A
VOC	ASTM D5116 Compliant

Details

Lead Time	Check the Turf website for current lead times.
Warranty	Five (5) years
Maintenance	Vacuum to remove any particulate matter and air-borne debris or dust. Compressed air can be used to dust the material in difficult to reach areas for large assemblies. Contact us for more information relative to spot cleaning.
Weight	Turf products cannot support the weight of any other items in field.
Trademarks	Turf®, FeltLock™, GridLock™, T™ are trademarks of Turf Design, Inc. and/or its affiliates © 2025 Turf Design Inc. Printed in the United States of America
Intellectual Property	This product may be the subject of one or more patents or pending patent applications. For related patent information https://turf.design/ip

Acoustic Rating

NRC = 0.9

A grid of ceiling tiles arranged in four rows of four units.

Certifications

Declare.



Photograph by Den25 Creative Studio



5mm Colors

Turf's compression molded ceiling tiles are made with 5mm PET felt.

The process used to create PET felt often results in a heathered effect where multiple tones are present. Slight variations in color should be expected when using this sustainable

Felt Thickness

5mm +/-0.5 mm

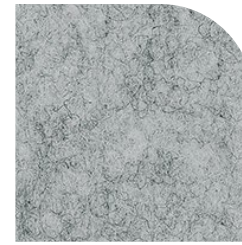
Monitors and printers vary. Please request a material sample to verify felt colors.



M07 ONYX



M06 CARBON



M04 PUMICE



M05 TALC



M01 SANDSTONE



M48 TRAVERTINE