

Acoustic Ceiling Tile

# Urban

Never cut corners

The Urban system never cuts acoustic corners. Its simple square forms are layered for dimensionality and depth, forming a bustling, urban atmosphere that belies the silence they bring.



Image by Blaque

# How To Specify

## Key Information

Urban is a modular ceiling tile system with multiple depths. Consider these questions as you design your layout. If shop drawings are required for your project, please follow steps 1 - 7.

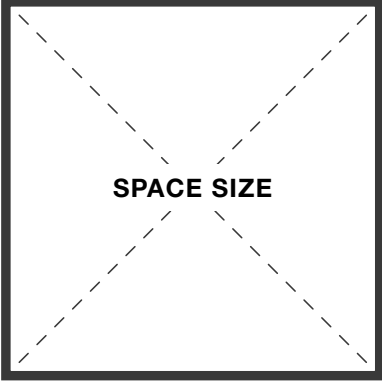
## Quick Ship

If you're looking to expedite your project, this product is available as Turf Quick Ship! Using Quick Ship, our standard lead time for shop drawings is eliminated allowing the project to move directly into production.

## Quick Ship Notes

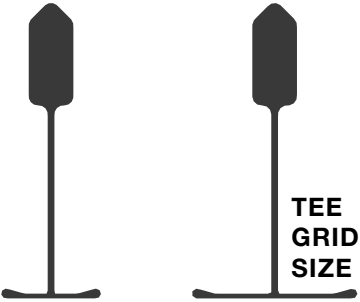
Installation and seaming drawings are not included in this process. Turf recommends 10-15% additional tiles to cover overage / attic stock.

**1**



What are the dimensions of the space?

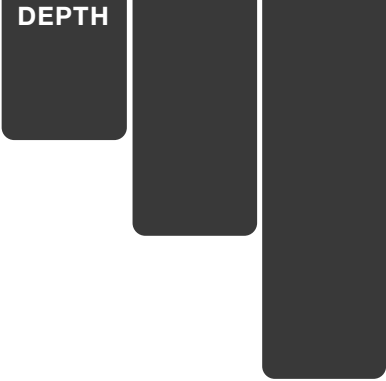
**2**



What is the size of the tee grid?

PAGE 3

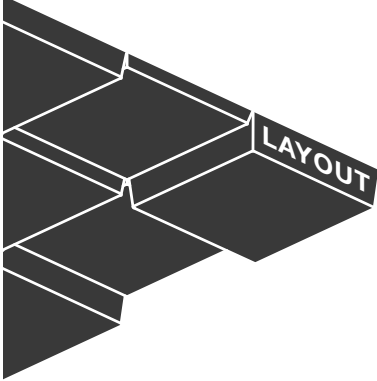
**3**



Do you need specific depths?

PAGE 4

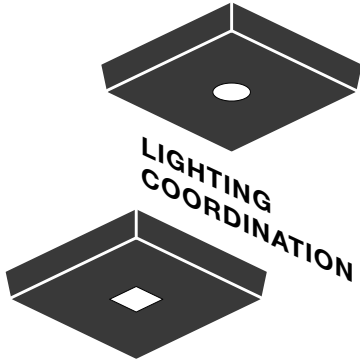
**4**



What is the proposed layout?

PAGE 5

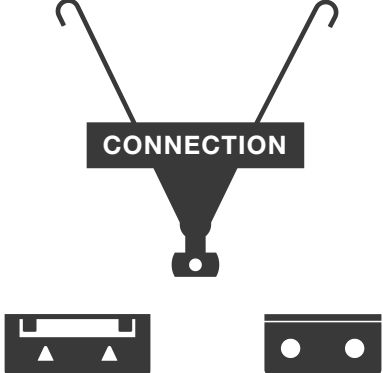
**5**



Does the project need tiles for lighting coordination?

PAGE 9


**6**



How will the tiles mount to the ceiling?

PAGE 6

**7**



What is the color?

PAGE 12

**QUICK SHIP**



1. Are you using 9/16" or 15/16" tee grid?
2. Which Urban tile types do you need? See "Tile Types" & "Lighting Coordination" pages for details.
3. Are you using Magnetic Clip, Grid Clip or Torsion Spring connection?
4. What is the color of the tiles?
5. How many tiles do you need?
6. Do you need additional infill tiles?
7. Do you want to include any additional product for overage or attic stock?



# Dimensions

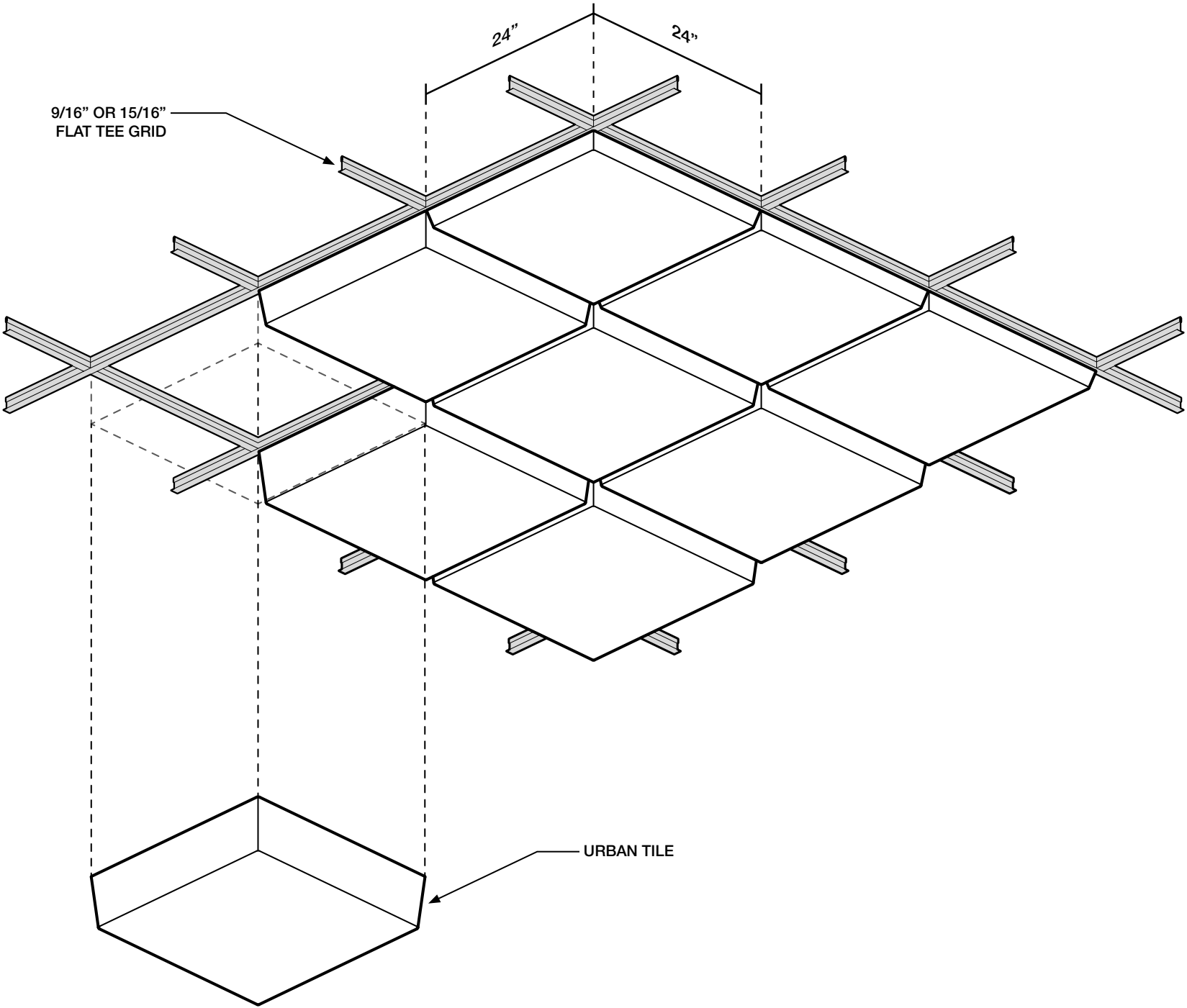
Standard Size	24" L x 24" W
Standard Depths	2"D, 4"D, 6"D
	See Tile Types page for more details.

# Connection Options

9/16" or 15/16" Flat Tee Grid	Magnetic Clips Grid Clips Torsion Spring
	See Connections page for more details.

# Color

5mm Palette	Urban Tiles can be specified in any of our 5mm felt colors.
Tee Grid Color	Turf recommends coordinating the tee grid color with our 5mm tile color to account for flexibility in the material. For example, using black tee grid with M07 Onyx.



ALL DIMENSIONS NOMINAL UNLESS NOTED OTHERWISE

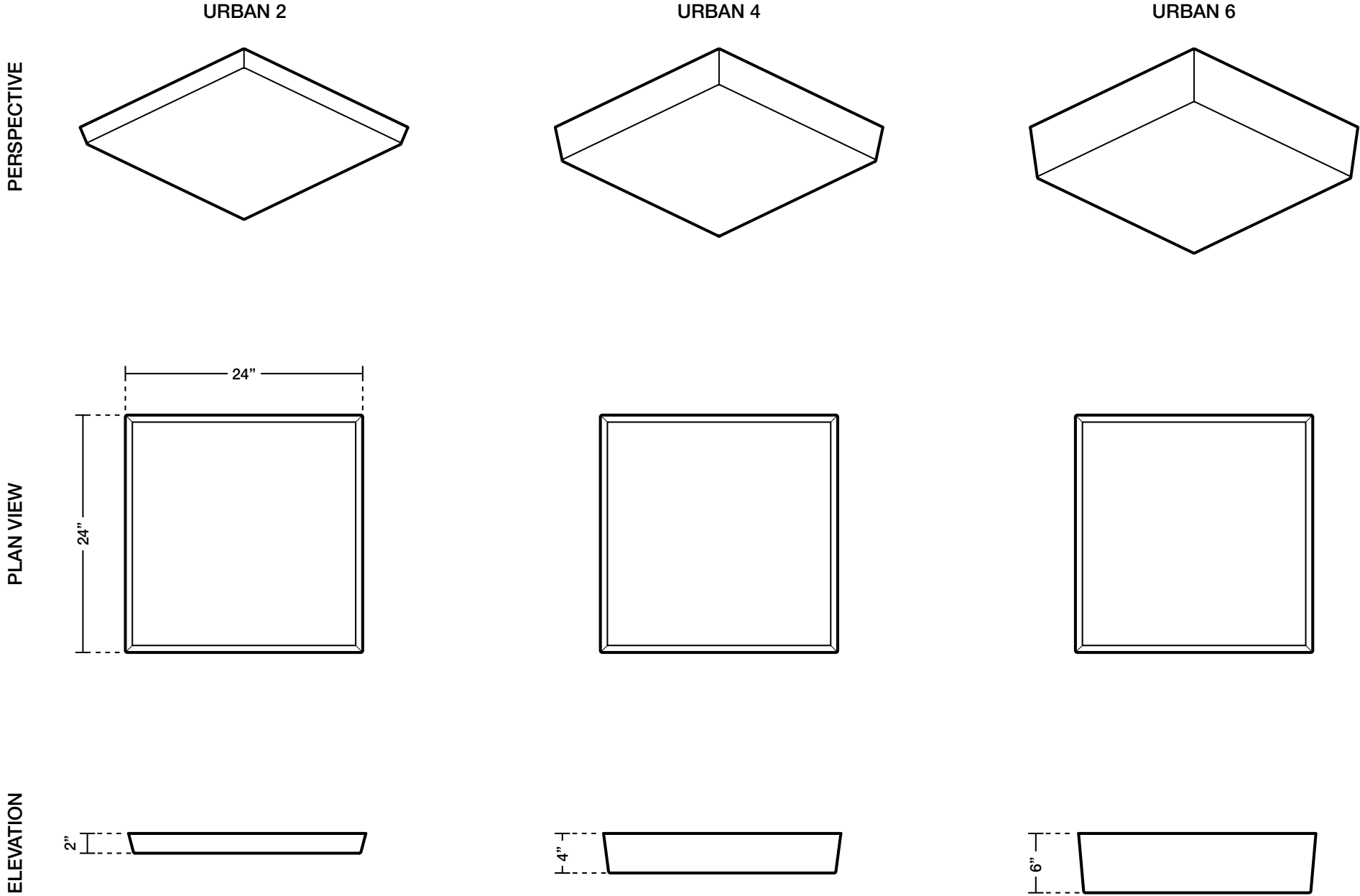


# Tile Types

Design

Urban Tiles come in three standard depths. Choose one profile or coordinate with multiple to create a dynamic ceiling system.

## PROFILE TYPES



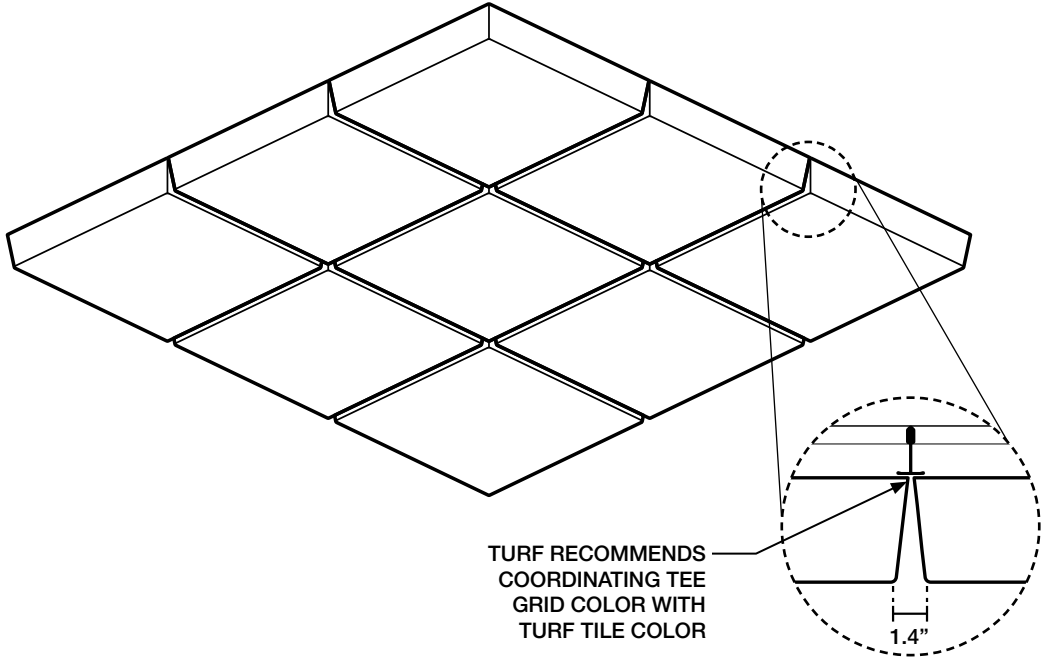
ALL DIMENSIONS NOMINAL UNLESS NOTED OTHERWISE



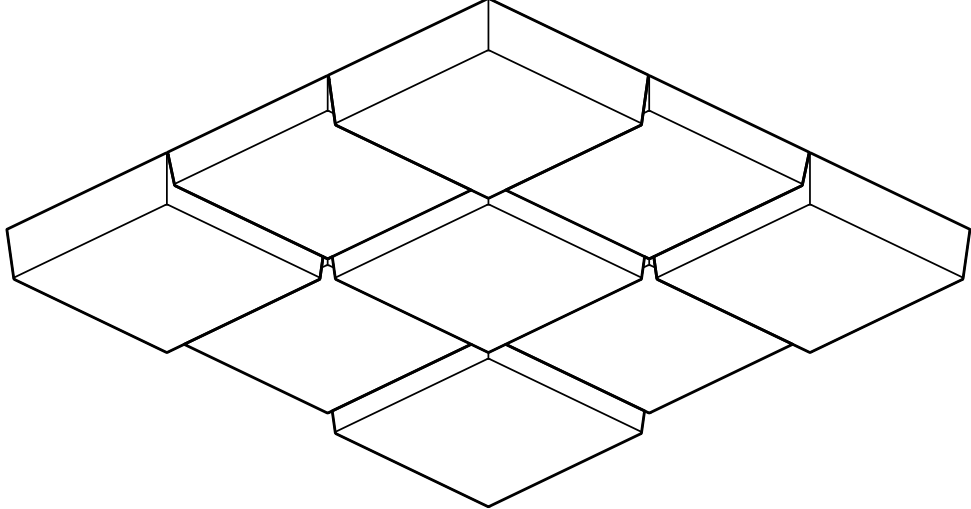
# Typical Layouts

- Uniform** Use the same tile across the ceiling to create a consistent look.
- Crosshatch** Alternate different tile depths to create a staggered look.
- Random** Mix all the tile depths to create a dynamic look.
- Combination** Combine tiles across families, make sure to review the Tile Coordination & Lighting Coordination pages

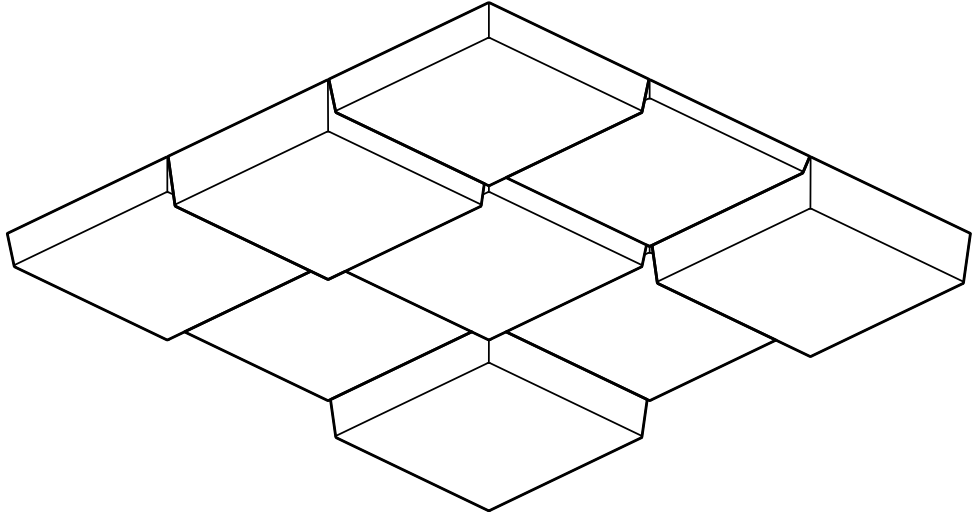
**UNIFORM**



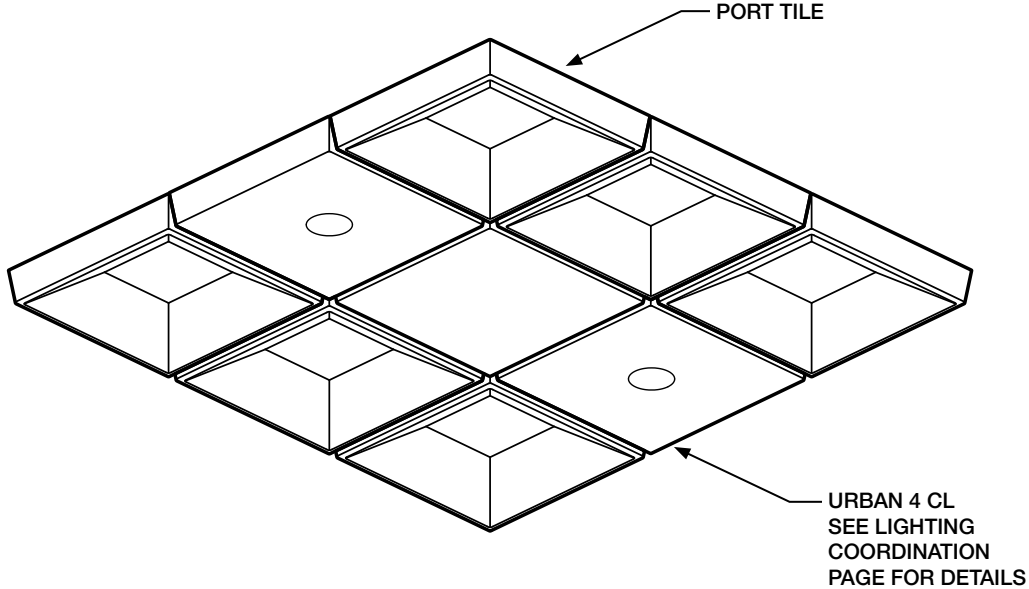
**CROSSHATCH**



**RANDOM**



**COMBINATION**



ALL DIMENSIONS NOMINAL UNLESS NOTED OTHERWISE



# Connections

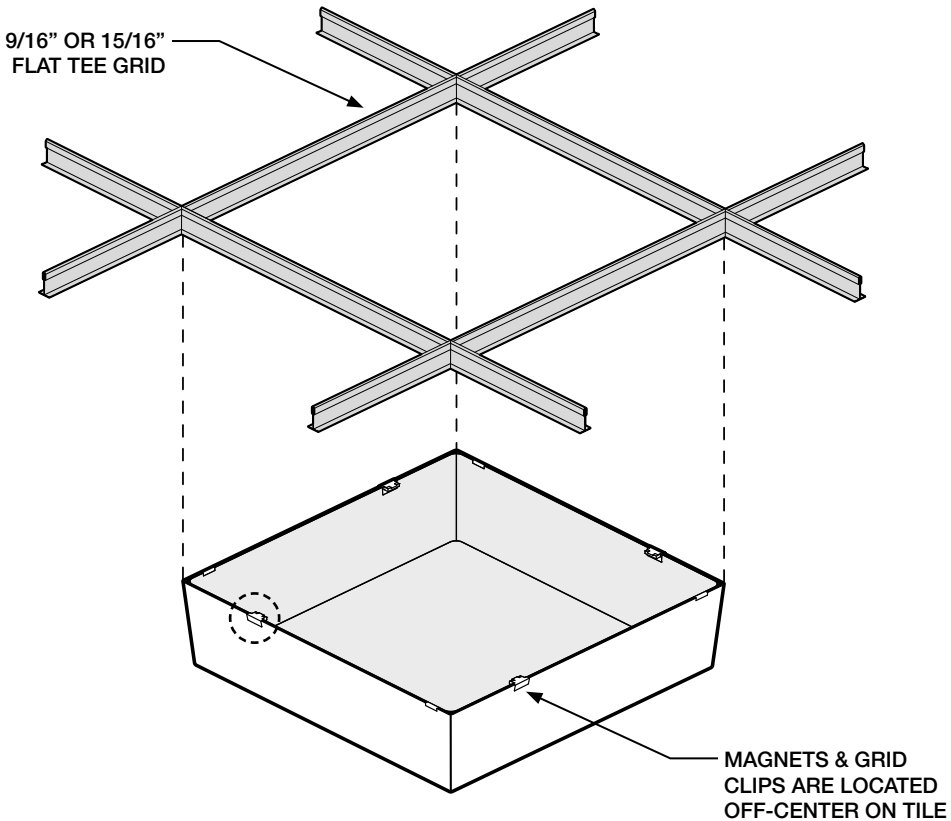
9/16" or 15/16" Tee Grid

Magnetic Clips  
Grid Clips  
Torsion Spring

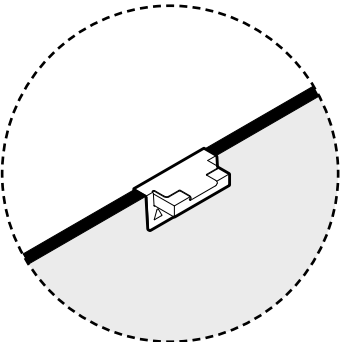
Seismic Connection

If your project is located in a seismic zone, use our Torsion Spring connection.

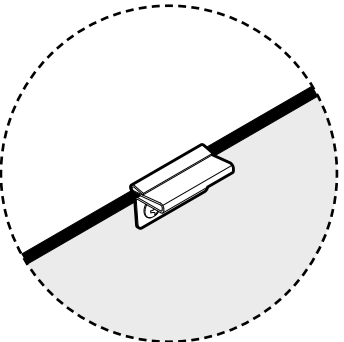
## MAGNETIC CLIP & GRID CLIP



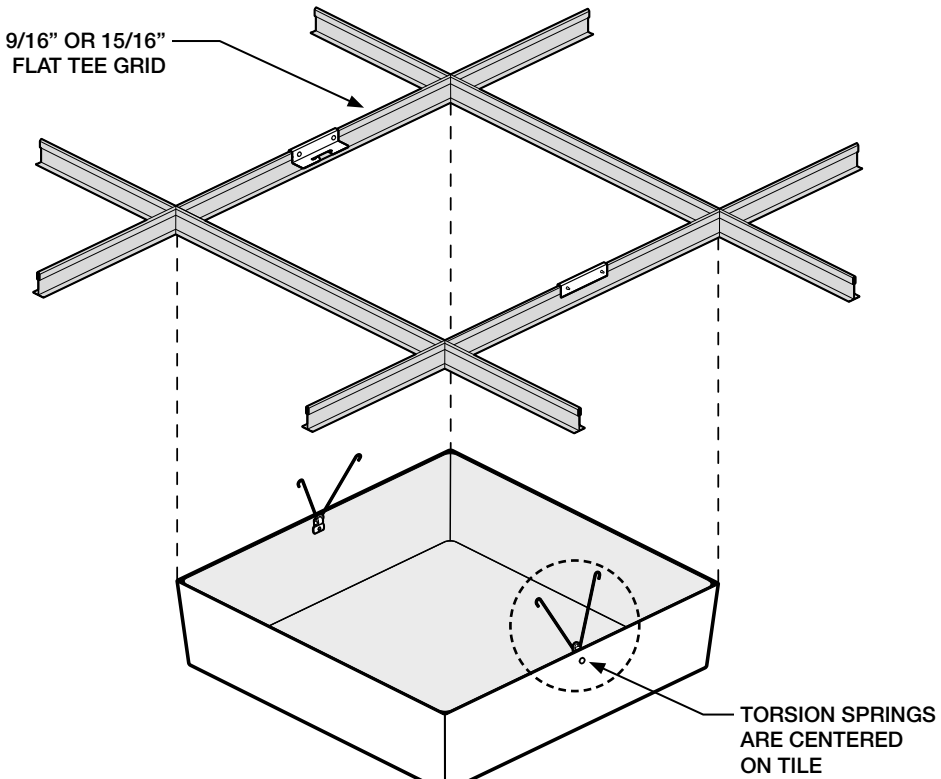
## MAGNETIC CLIP



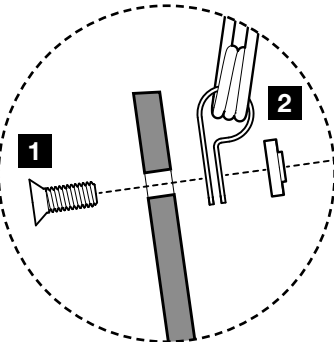
## GRID CLIP



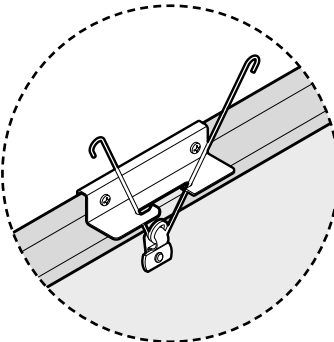
## TORSION SPRING



## TORSION SPRING ASSEMBLY



## TORSION SPRING LOCKED IN PLACE



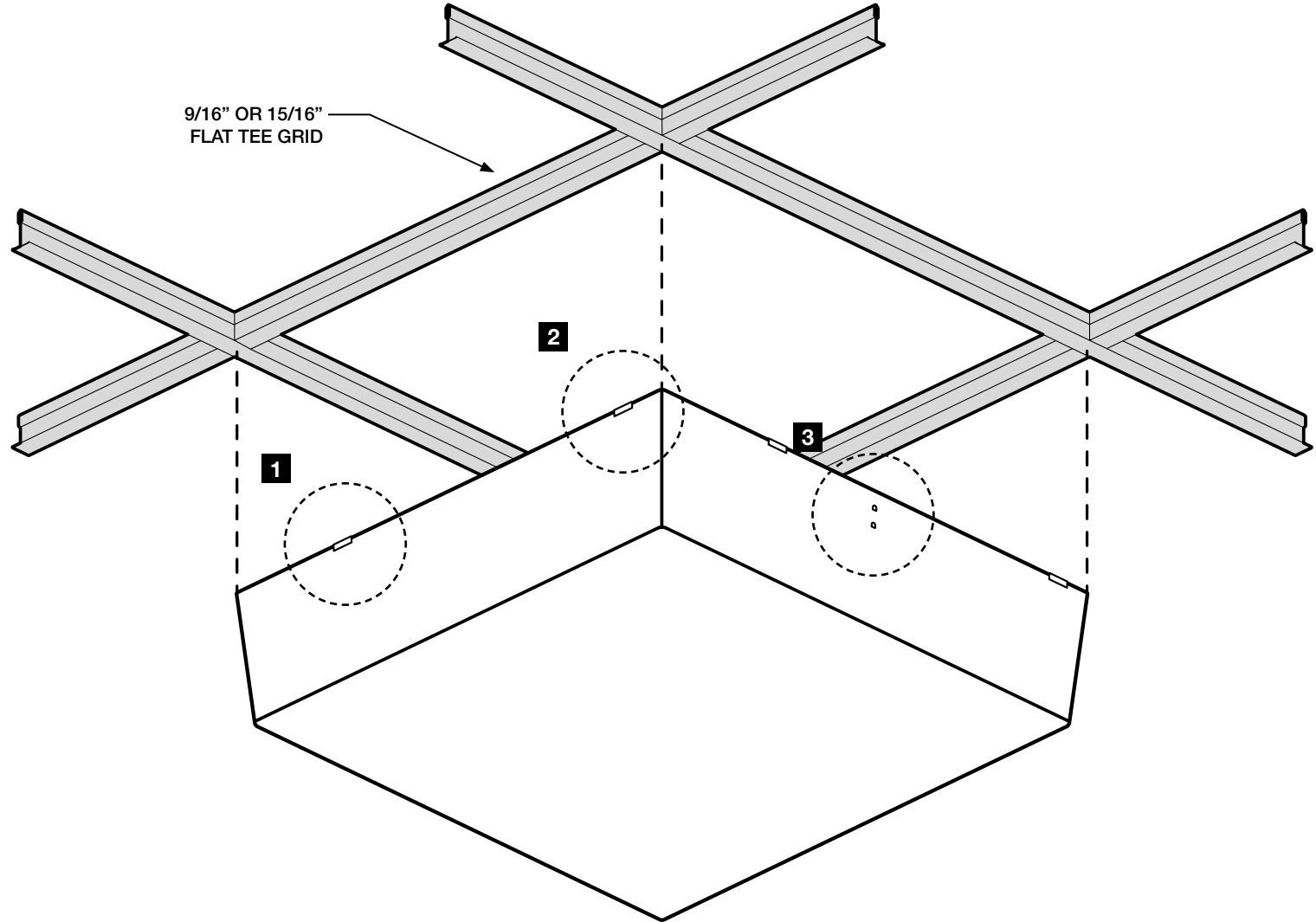
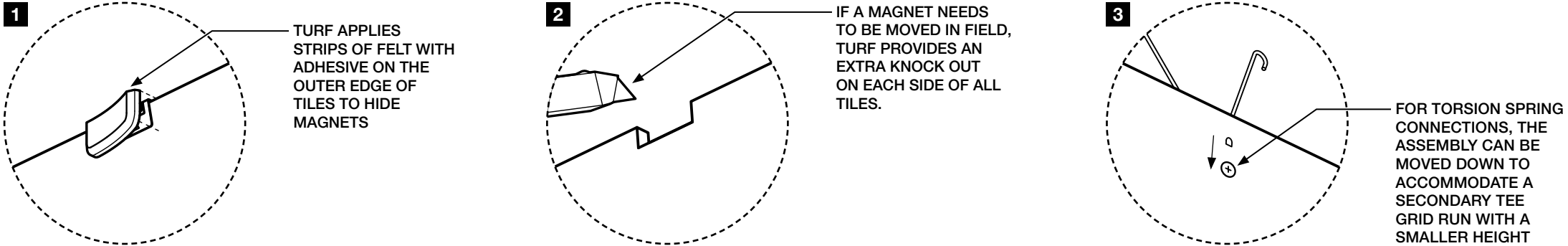
- 1** DRILL 1" SCREW THROUGH ONE OF THE PRECUT HOLES IN THE TILE
- 2** PLACE LOOP CLAMP THROUGH CENTER OF SPRING AND USE WELD NUT TO HOLD ENTIRE ASSEMBLY IN PLACE

# Mounting Considerations

**Adhesive Strips** The adhesive strips are used to hide the exposed edge of the magnets.

**Knock Outs** Each side of the tile includes pre-cut knock outs in case magnets need to be moved during installation.

**Torsion Spring Assembly** The Torsion Spring mounting height can be adjusted in field.



# Tile Coordination

**Tile Line** Tiles within the same family or similar depths can work well together.

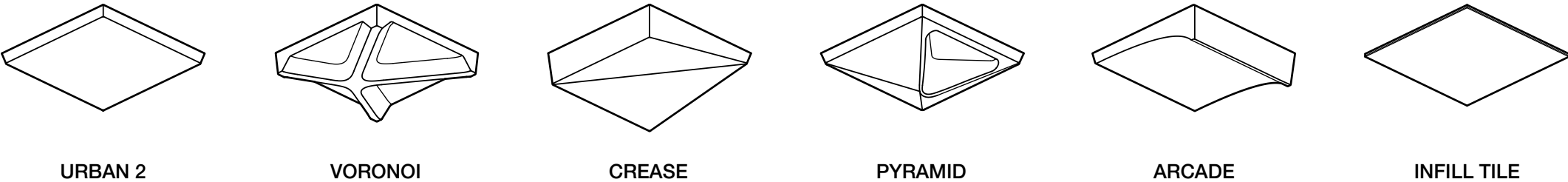
See Typical Layouts page for examples.

**Infill Tiles** Plain, flat tiles can be used where field cutting is required to work around obstructions.

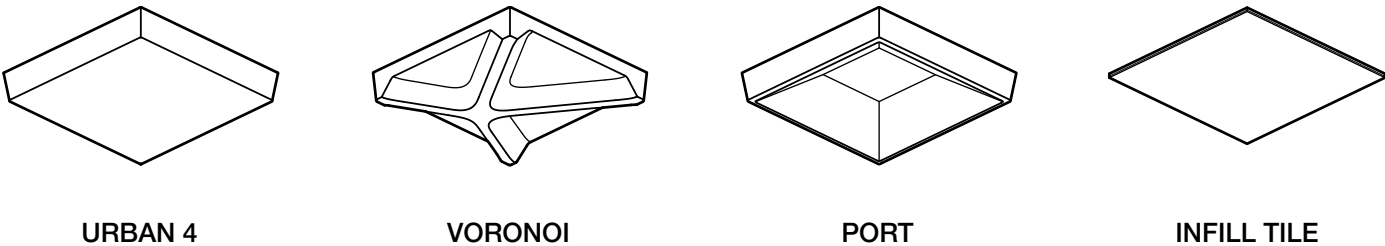
Infill tiles act like traditional lay-in ACT tiles. Magnets can be added upon request to hide the grid.

**Infill Standard Size** 24"L x 24"W x 14mm D

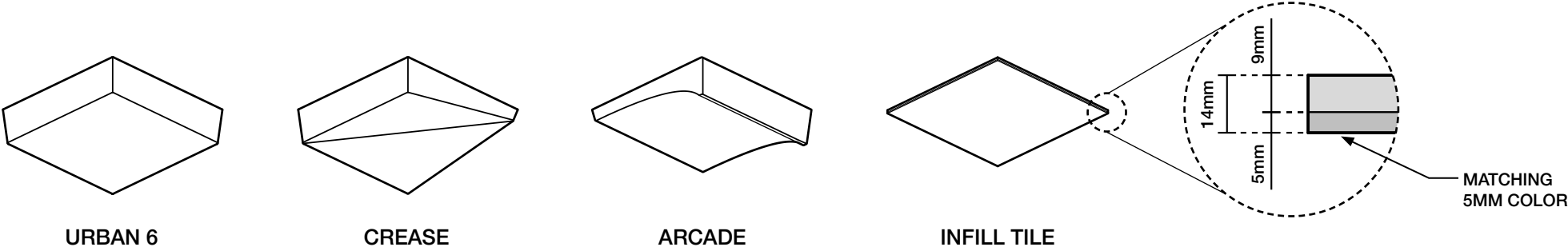
## 2" DEEP COORDINATION



## 4" DEEP COORDINATION



## 6" DEEP COORDINATION





# Lighting Integration

## Design

Turf offers multiple precut holes that are designed to work with fixtures by USAI.

## USAI Fixtures



BeveLED Mini® for Turf - 3" Round  
 BeveLED® 2.2 for Turf - 4.5" Round  
 BeveLED Mini® for Turf - 3" Square  
 BeveLED® 2.2 for Turf - 4.5" Square

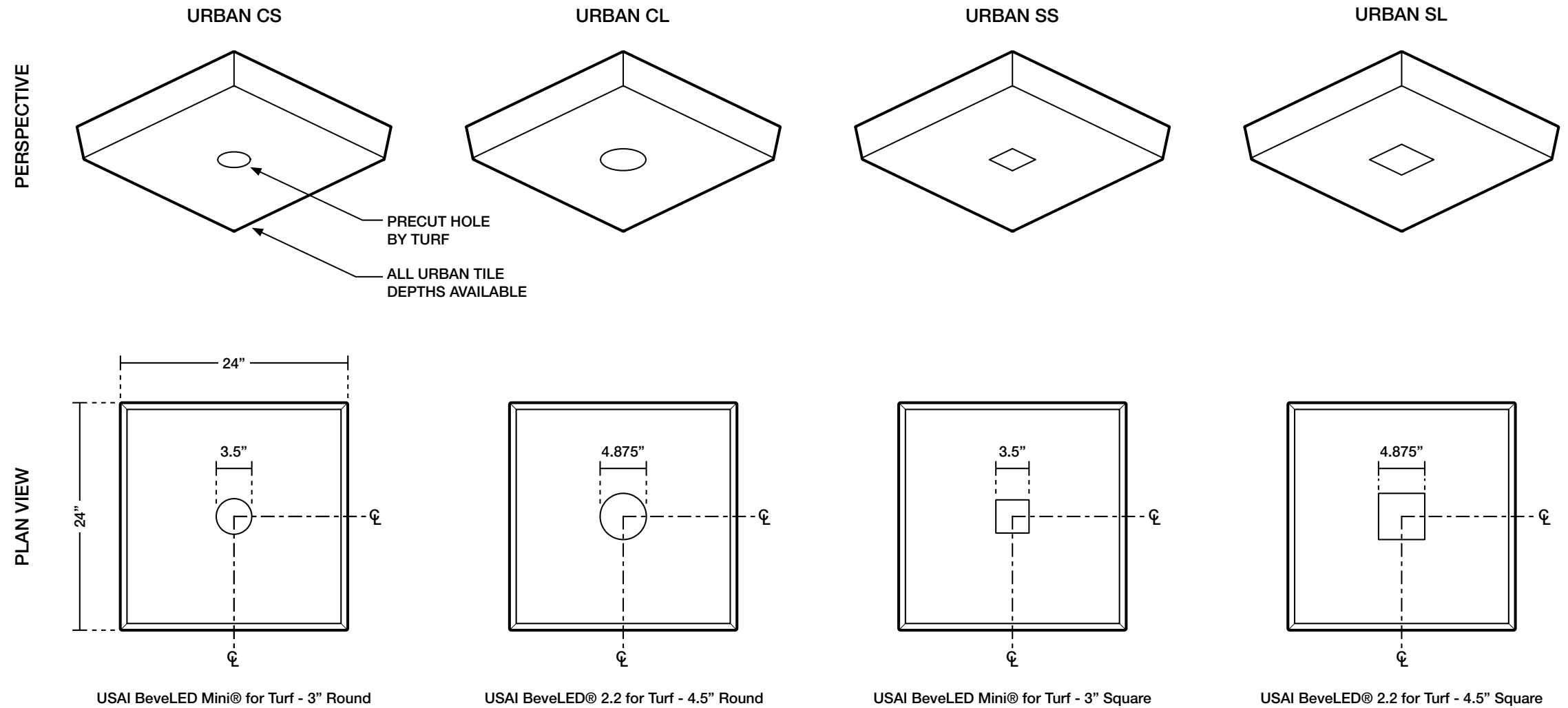
For more information visit  
[www.usalighting.com/turf-design](http://www.usalighting.com/turf-design)

## Coordination

Tiles have precut square or round holes in two different sizes.

Please note, tiles do not include light fixtures.

## PROFILE TYPES



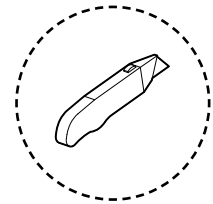
ALL DIMENSIONS NOMINAL UNLESS NOTED OTHERWISE



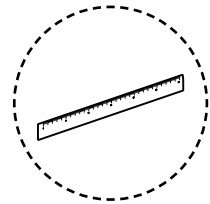
# Trim Guide

Our tiles are designed to install quickly, with modifications that are easily done in the field.

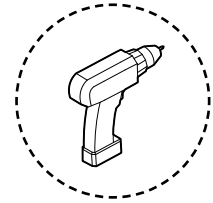
## Tools Required



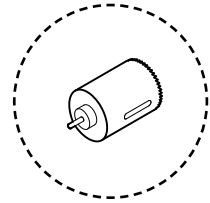
SHARP BLADE



STRAIGHT EDGE



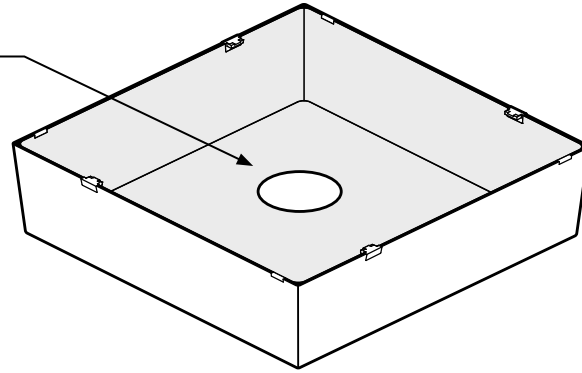
DRILL



HOLE SAW

### 1 - TRIM OR DRILL TILE FACE

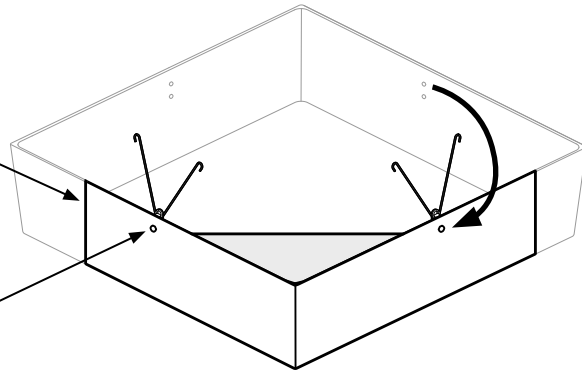
TRIM OR DRILL TILE FACE TO ACCOMMODATE FIXTURES AND OBSTRUCTIONS



\*PLEASE NOTE, TO CUT CIRCULAR HOLES TURF RECOMMENDS USING A HOLE SAW IN REVERSE FOR A CLEANER EDGE

### 3 - TRIM TILE TO FIT - TORSION SPRING

TRIM TILE AS REQUIRED TO FIT SPACE

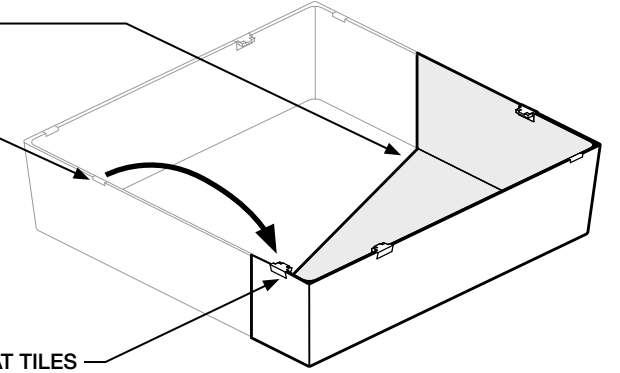


TURF RECOMMENDS THAT TILES MAINTAIN A MINIMUM OF TWO CONNECTION POINTS FOR TORSION SPRINGS, MOVE SPRINGS AS REQUIRED

### 2 - TRIM TILE TO FIT - MAGNETIC OR GRID CLIPS

TRIM TILE AS REQUIRED TO FIT SPACE

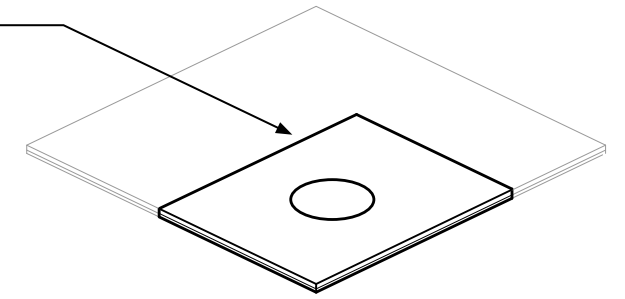
MAGNETS OR CLIPS CAN BE MOVED AS REQUIRED. ADDITIONAL MAGNETS OR CLIPS CAN BE ADDED IN FIELD.



TURF RECOMMENDS THAT TILES MAINTAIN A MINIMUM OF THREE CONNECTION POINTS FOR MAGNETIC OR GRID CLIPS

### 4 - TRIM OR DRILL INFILL TILE

TRIM OR DRILL TILE TO ACCOMMODATE FIXTURES AND OBSTRUCTIONS



\*PLEASE NOTE, TO CUT CIRCULAR HOLES TURF RECOMMENDS USING A HOLE SAW IN REVERSE FOR A CLEANER EDGE

## Tech

Acoustics	ASTM C423-17 Type E-400 Mounting
Fire Rating	ASTM E-84 – Class A
VOC	ASTM D5116 Compliant

## Acoustic Rating

NRC = 0.95

A grid of ceiling tiles arranged in four rows of four units.

## Details

**Lead Time** Check the Turf website for current lead times.

**Warranty** Five (5) years

**Maintenance** Vacuum to remove any particulate matter and air-borne debris or dust. Compressed air can be used to dust the material in difficult to reach areas for large assemblies. Contact us for more information relative to spot cleaning.

**Weight** Turf products cannot support the weight of any other items in field.

## Certifications

# Declare.



Image by Blaque

# 5mm Colors

Turf's compression molded ceiling tiles are made with 5mm PET felt.

The process used to create PET felt often results in a heathered effect where multiple tones are present. Slight variations in color should be expected when using this sustainable

**Felt Thickness**  
5mm +/-0.5 mm

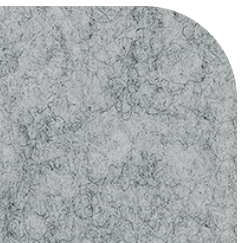
**Monitors and printers vary.**  
Please request a material sample to verify felt colors.



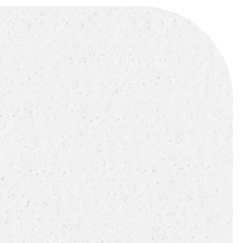
M07 ONYX



M06 CARBON



M04 PUMICE



M05 TALC



M01 SANDSTONE



M48 TRAVERTINE