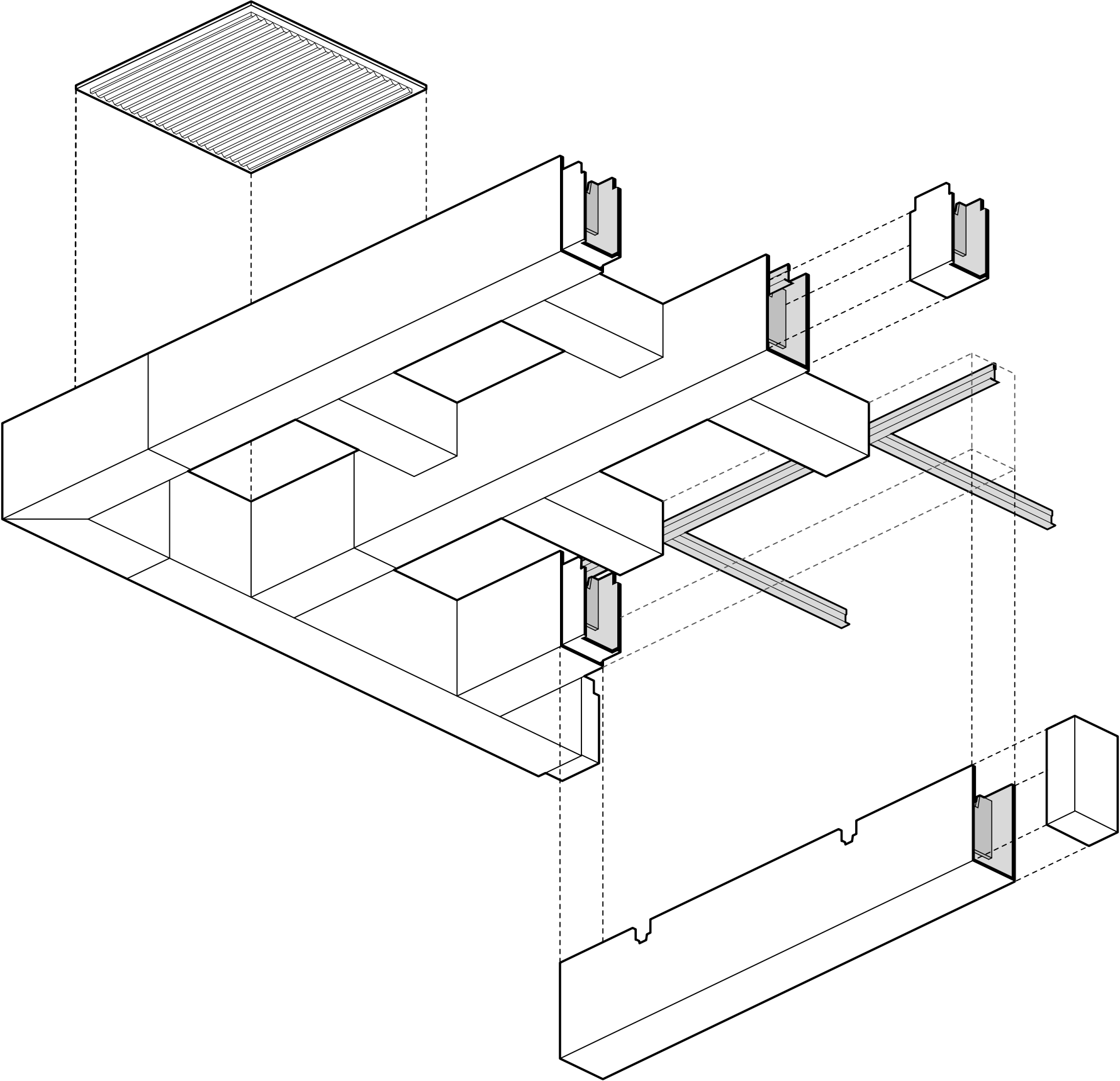


# Plaid



Enclosed are step-by-step instructions to help installers understand the field processes for Plaid.

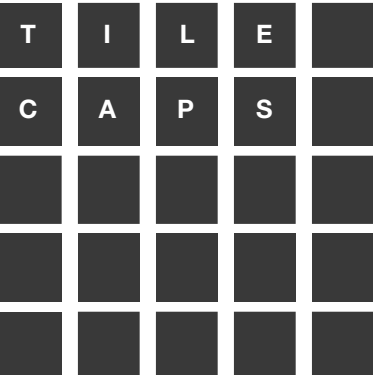
Refer to the Plaid Cut Sheet for general product information.

# Table of Contents

## Key Topics

Below is a list of common questions that come up during the installation process. Turn to the referenced page number for more details on each topic.

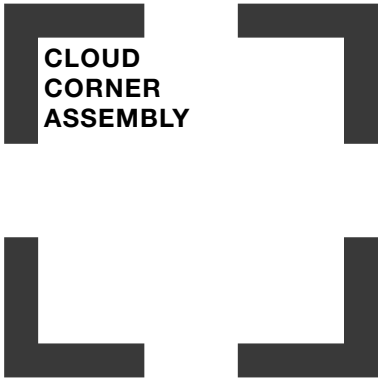
**1**



How do I install tile caps?

PAGE 4

**2**

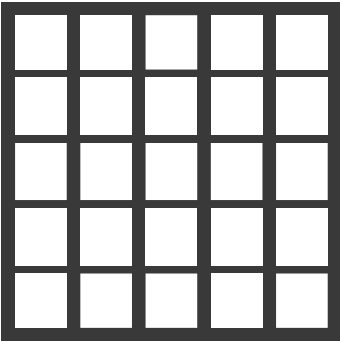


How do I assemble the corner baffle for a cloud installation?

PAGE 5-7

**3**

CLOUD WITH BORDER

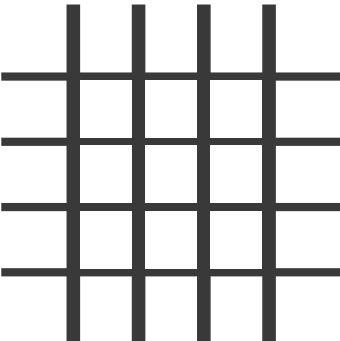


How do I install Plaid as a cloud with a border?

PAGE 8-9

**4**

CLOUD WITH OPEN EDGE

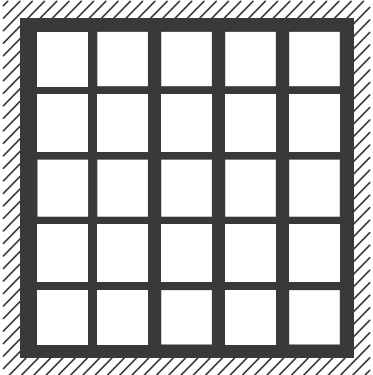


How do I install Plaid as a cloud with an open edge?

PAGE 10-11

**5**

WALL-TO-WALL WITH BORDER

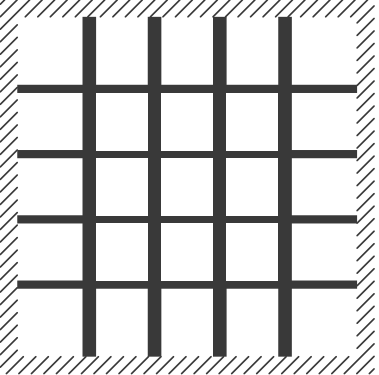


How do I install Plaid wall-to-wall with a border?

PAGE 12-13

**6**

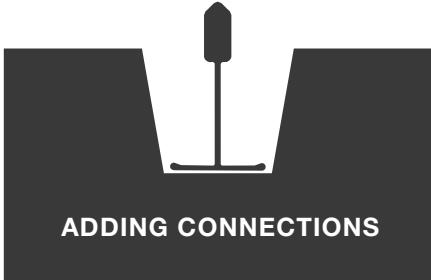
WALL-TO-WALL WITH OPEN EDGE



How do I install Plaid wall-to-wall with an open edge?

PAGE 14-15

**7**



ADDING CONNECTIONS

How can I add additional connection points along a baffle?

PAGE 16

**8**



PLAID & THIRD-PARTY FIXTURES

Can Plaid accommodate third-party fixtures that attached to grid?

PAGE 17

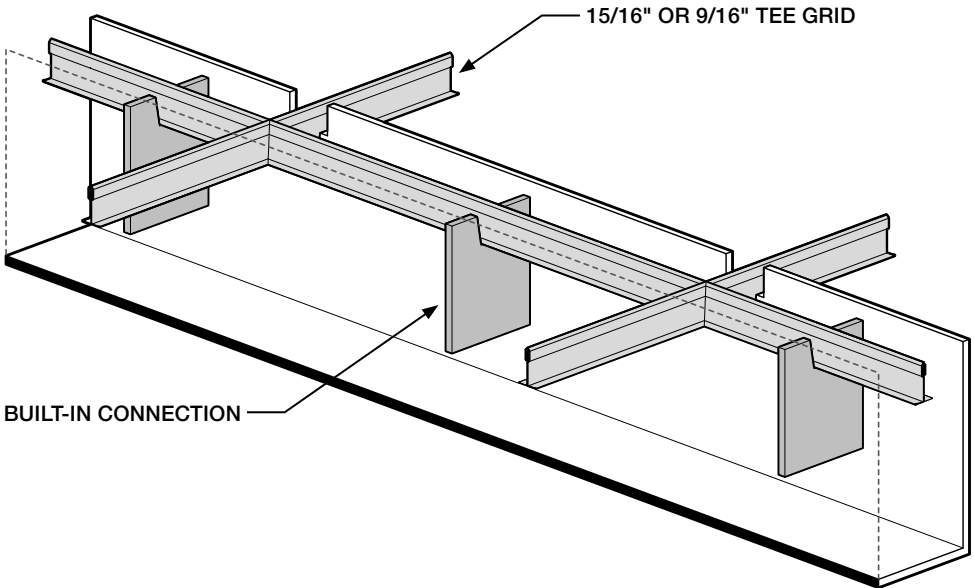
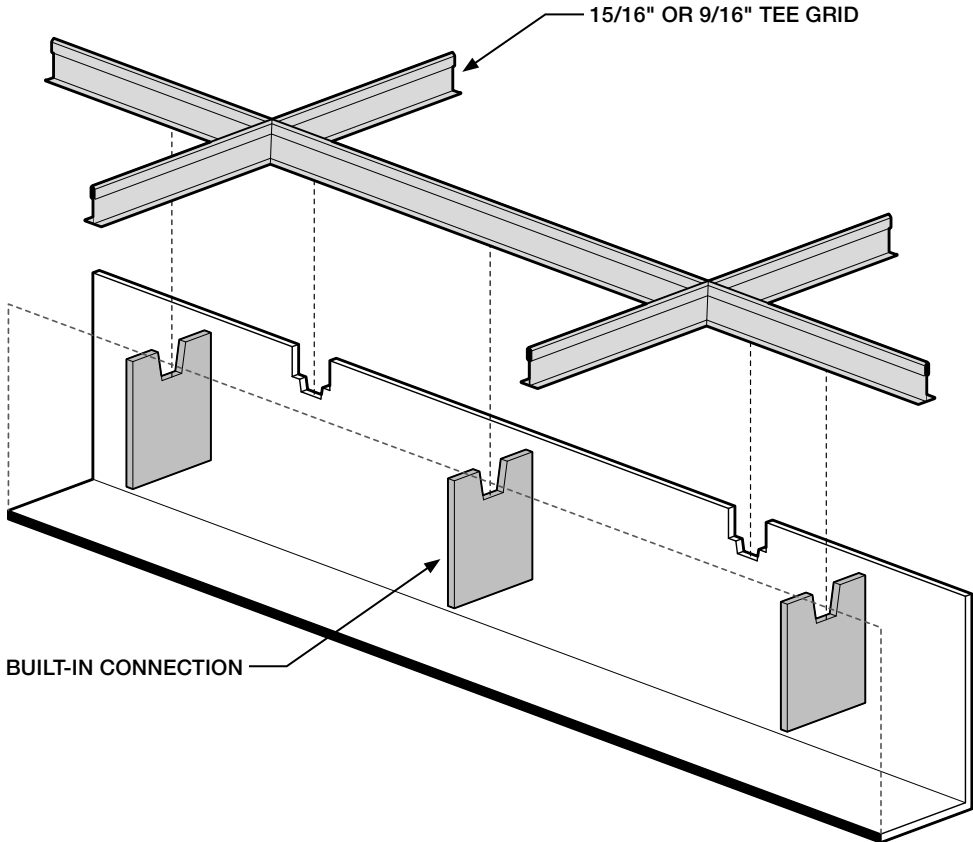


# Plaid Connection

Gridlock

Plaid components are shipped with built-in connections, allowing easy install by pushing each baffle into the 15/16" or 9/16" tee grid.

## MAIN CONNECTION DETAIL



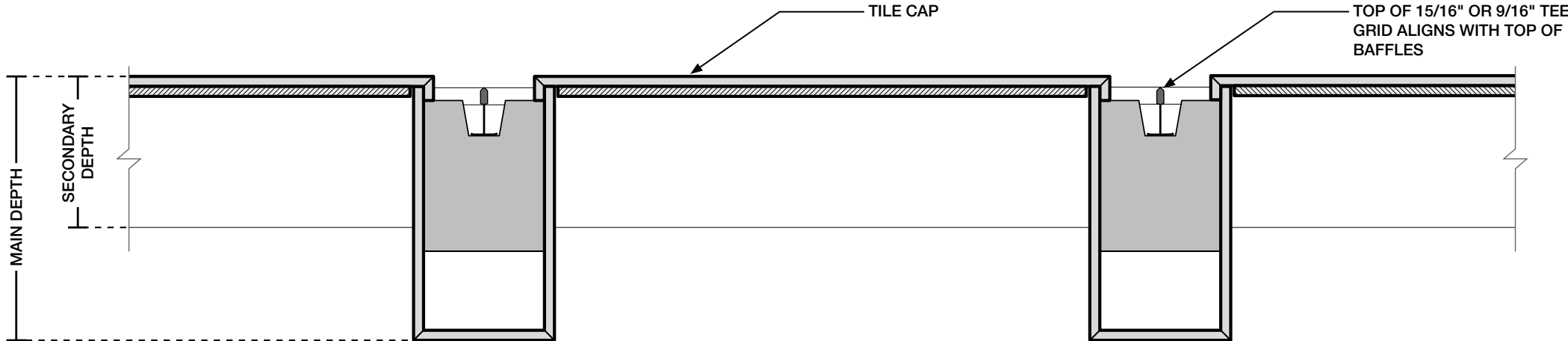
# Tile Caps Installation

Installation

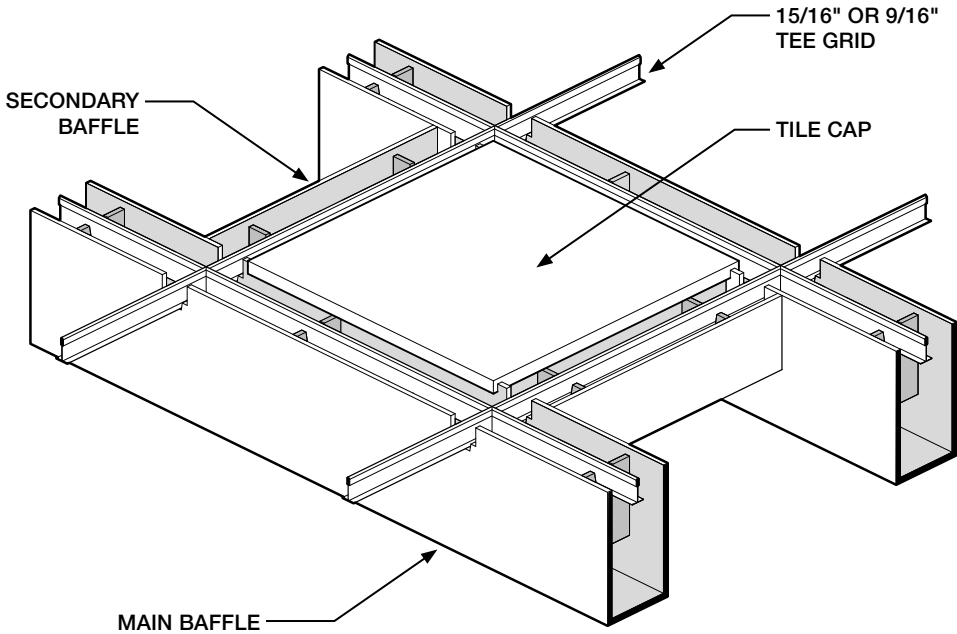
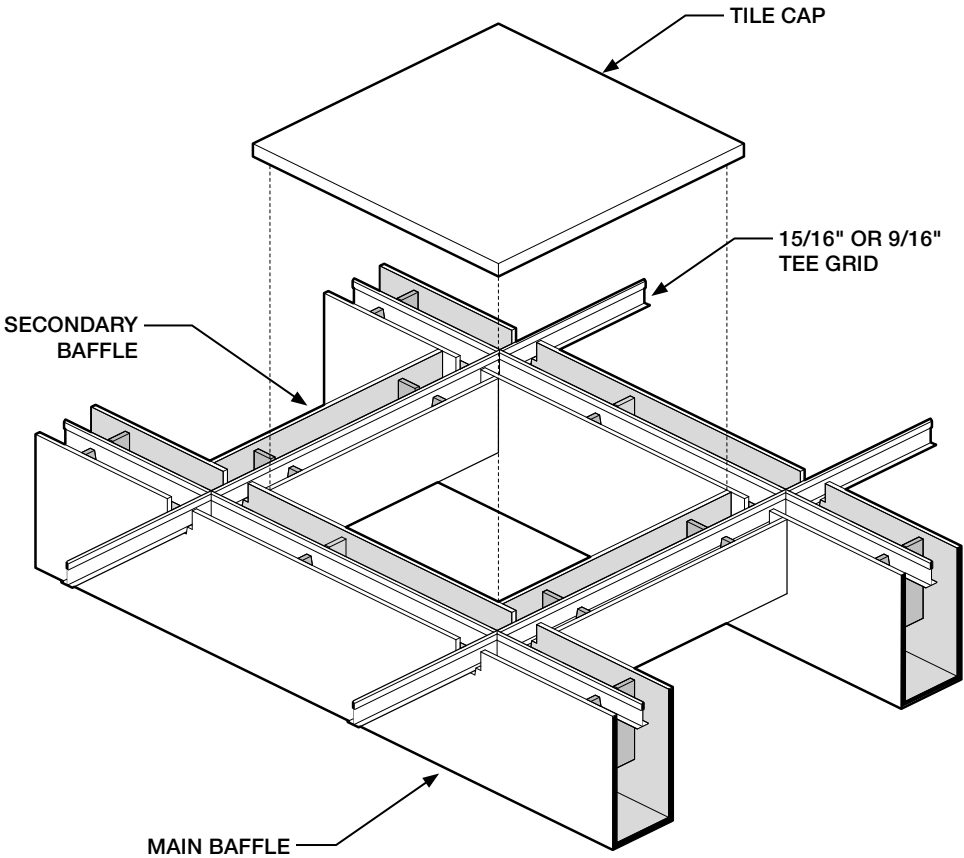
Tile Caps rest on top of the Plaid system without any additional hardware.

A 1/2" lip around the border of each Tile Cap allows it to sit in place.

EXAMPLE SECTION



TILE CAP PLACEMENT



# Cloud Corner Assembly - 1

## Flat-pack Corners

Corners for a cloud based Plaid installation are constructed in field.

Installers can accommodate varying angles and field modifications as required.

## Common Angles

Corners come with predefined guidelines for the most common angles to assist trim in field operations.

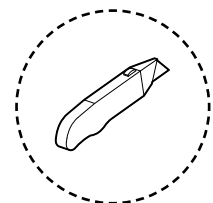
60°, 90°, 120° & 135°

## Uncommon Angles

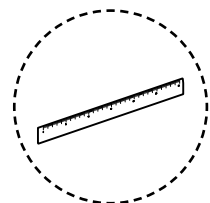
If you need to create an angle that does not have predefined guidelines, Plaid corners can be trimmed in field to create any angle between 60° & 135°.

See Pg. 7 for instructions to create an uncommon angle.

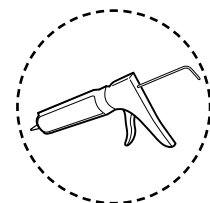
## Tools Required



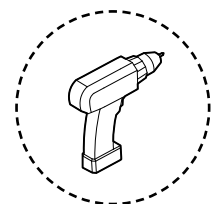
SHARP BLADE



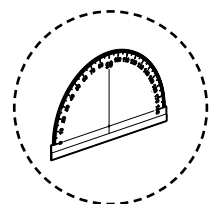
STRAIGHT EDGE



CONSTRUCTION ADHESIVE

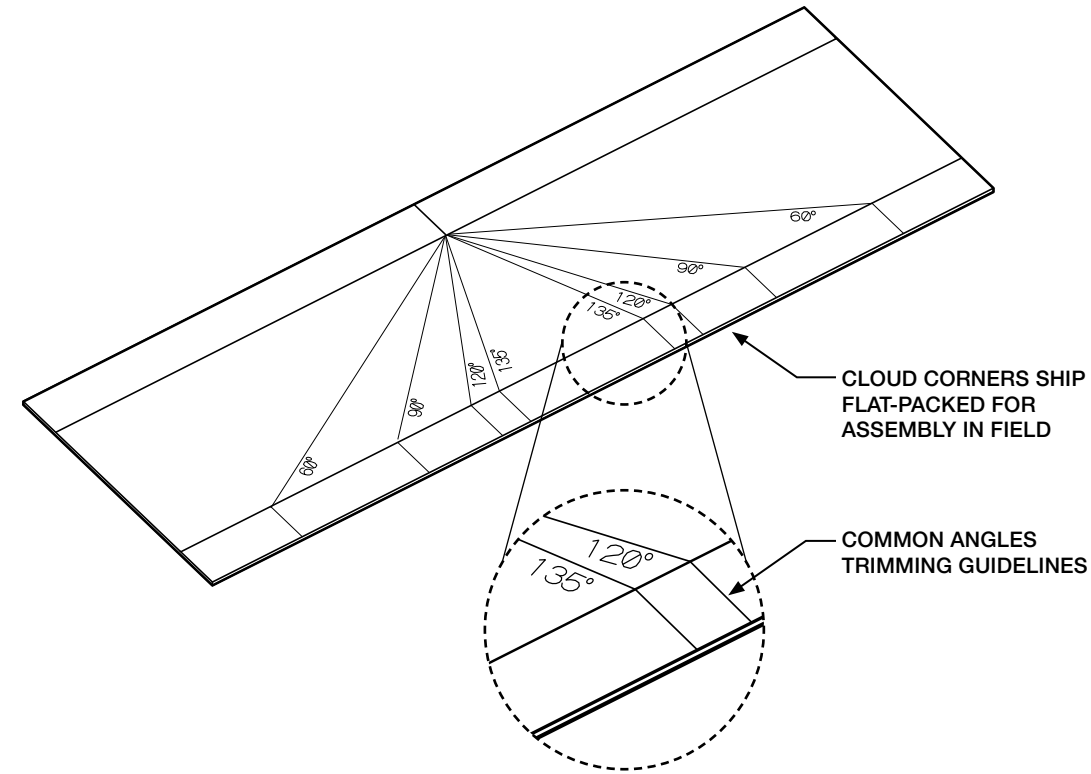


DRILL



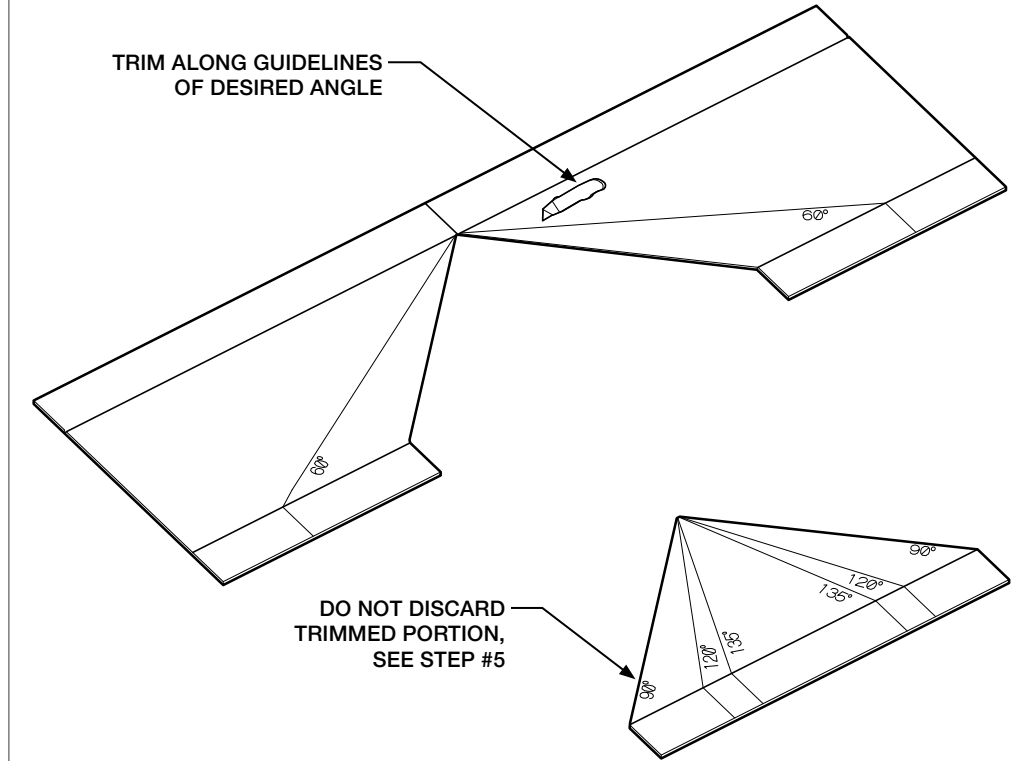
PROTRACTOR

### 1 - CLOUD CORNERS WILL SHIP FLAT-PACKED



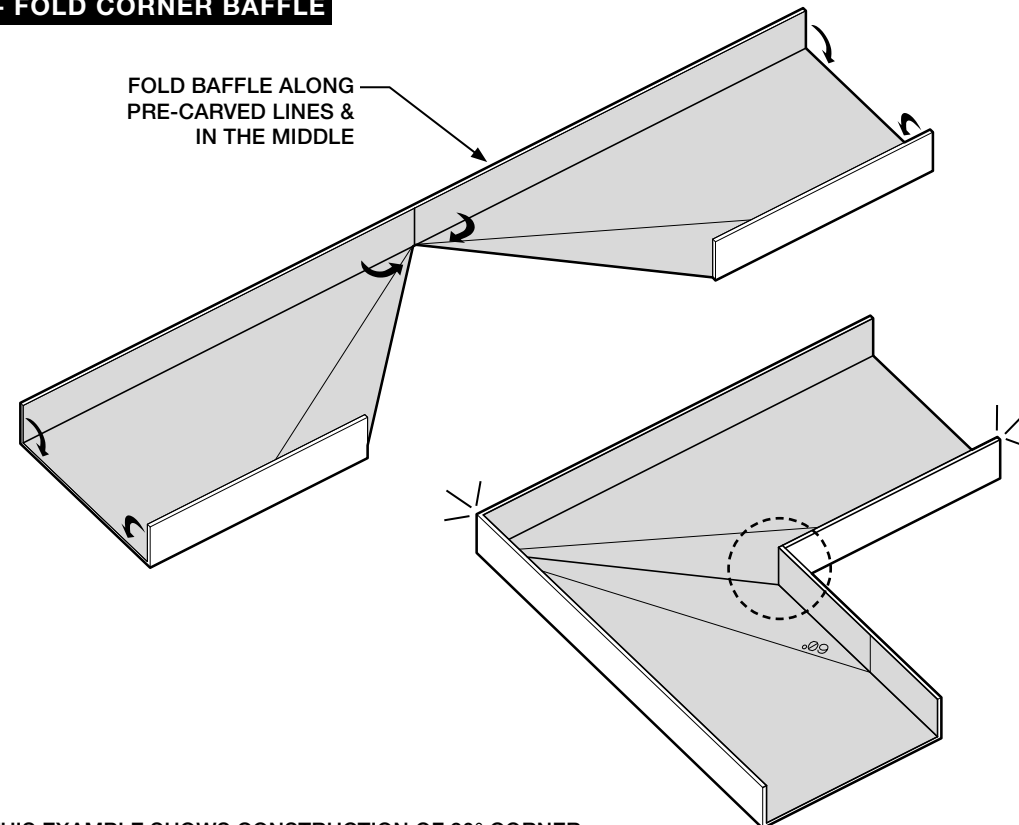
\*IF YOU NEED A SPECIFIC ANGLE THAT IS NOT 60°, 90°, 120° OR 135°, SKIP TO STEP #9

### 2 - FOR CORNERS WITH ANGLES 60°, 90°, 120° OR 135°, TRIM ALONG GUIDES



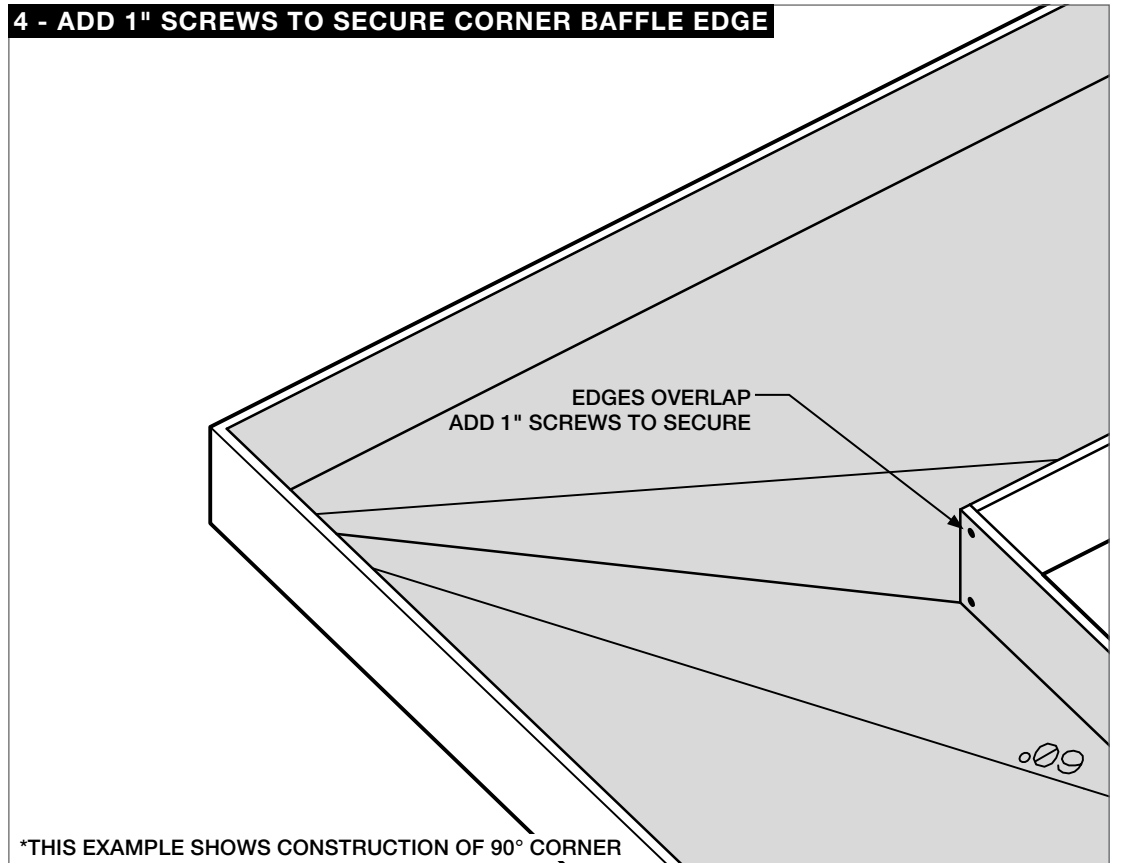
\*THIS EXAMPLE SHOWS CONSTRUCTION OF 90° CORNER

### 3 - FOLD CORNER BAFFLE



\*THIS EXAMPLE SHOWS CONSTRUCTION OF 90° CORNER

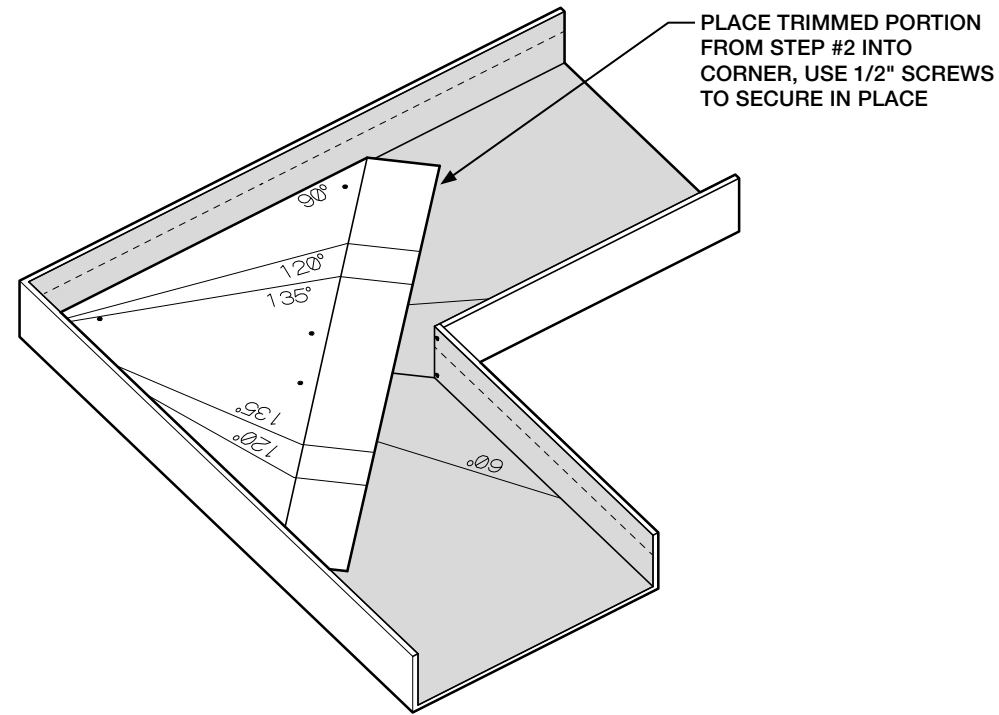
### 4 - ADD 1" SCREWS TO SECURE CORNER BAFFLE EDGE



\*THIS EXAMPLE SHOWS CONSTRUCTION OF 90° CORNER

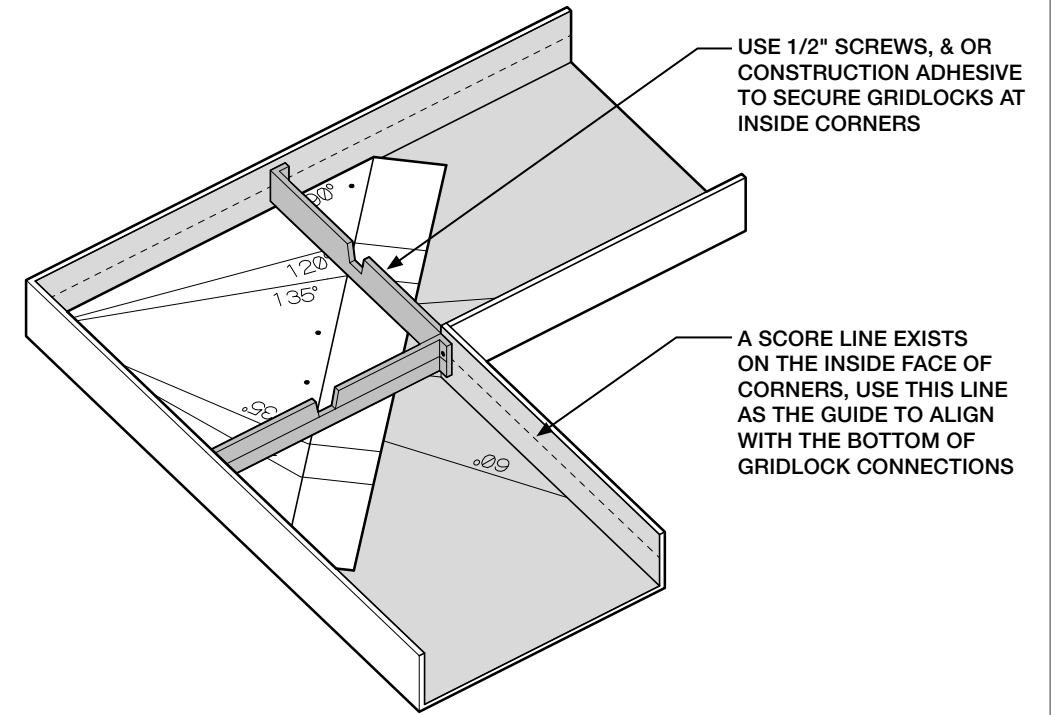
# Cloud Corner Assembly - 2

## 5 - USE 1/2" SCREWS TO SECURE INSIDE CORNER



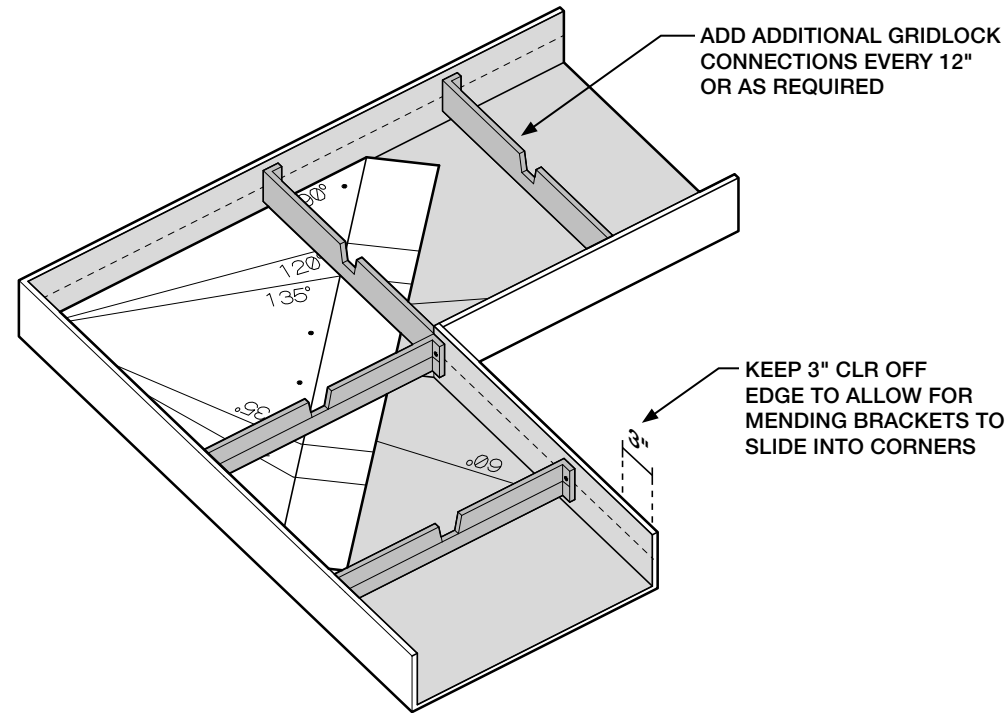
\*THIS EXAMPLE SHOWS CONSTRUCTION OF 90° CORNER

## 6 - ADD TWO GRIDLOCK CONNECTIONS NEAR CORNER



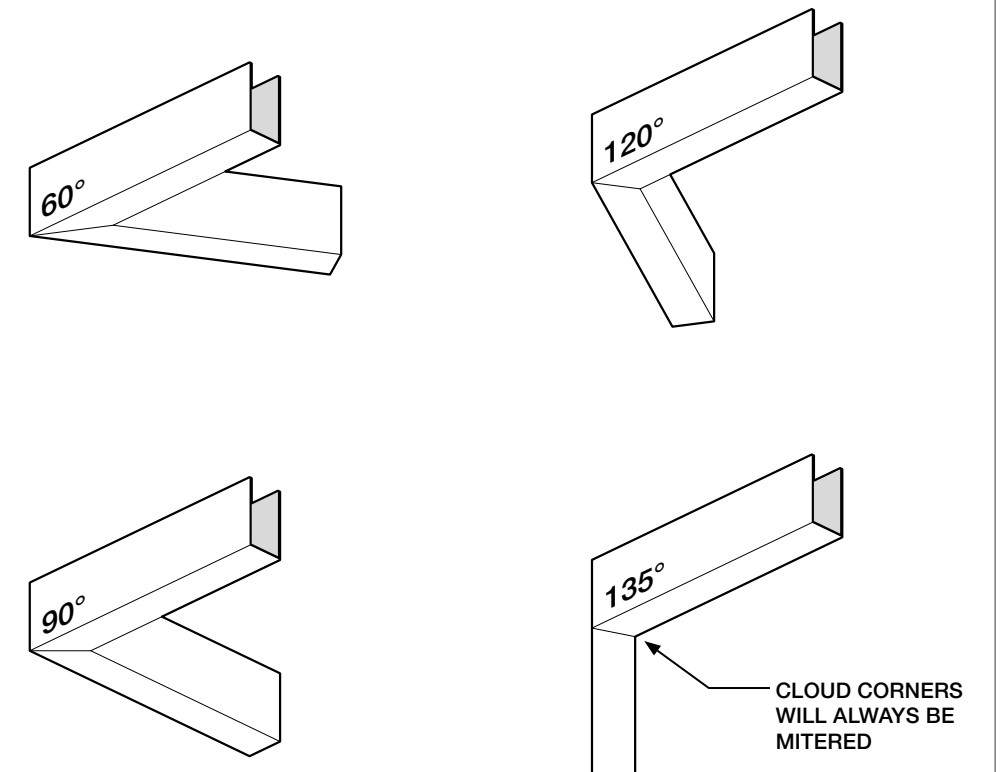
\*THIS EXAMPLE SHOWS CONSTRUCTION OF 90° CORNER

## 7 - ADD MORE GRIDLOCK CONNECTIONS EVERY 12" OC



\*THIS EXAMPLE SHOWS CONSTRUCTION OF 90° CORNER

## 8 - COMPLETED COMMON ANGLE CORNERS

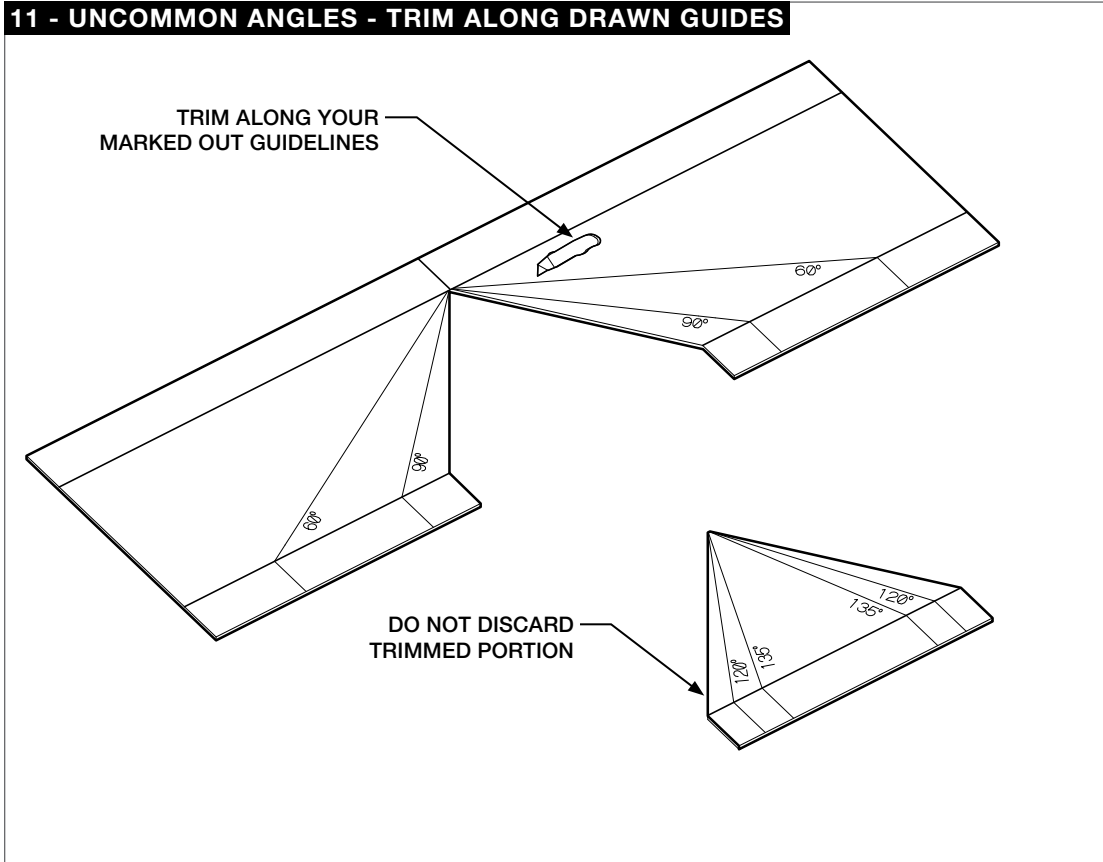
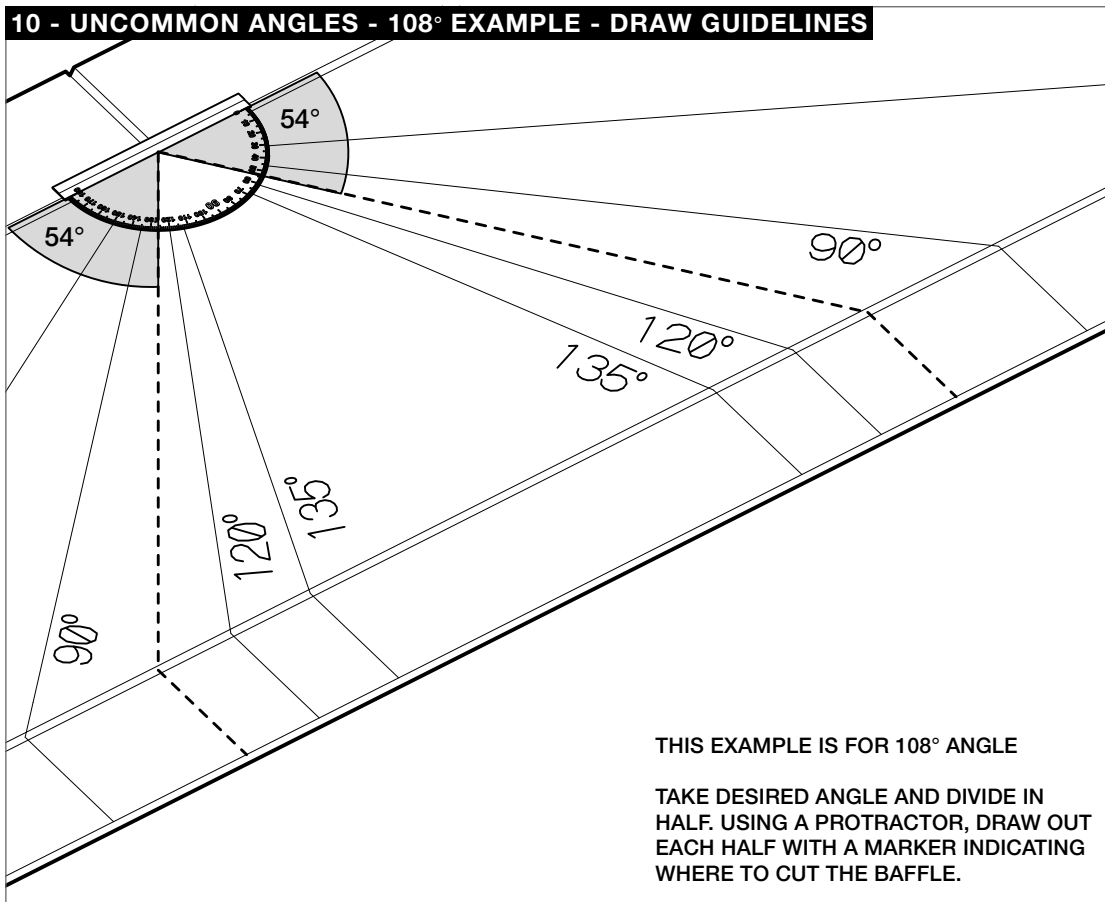
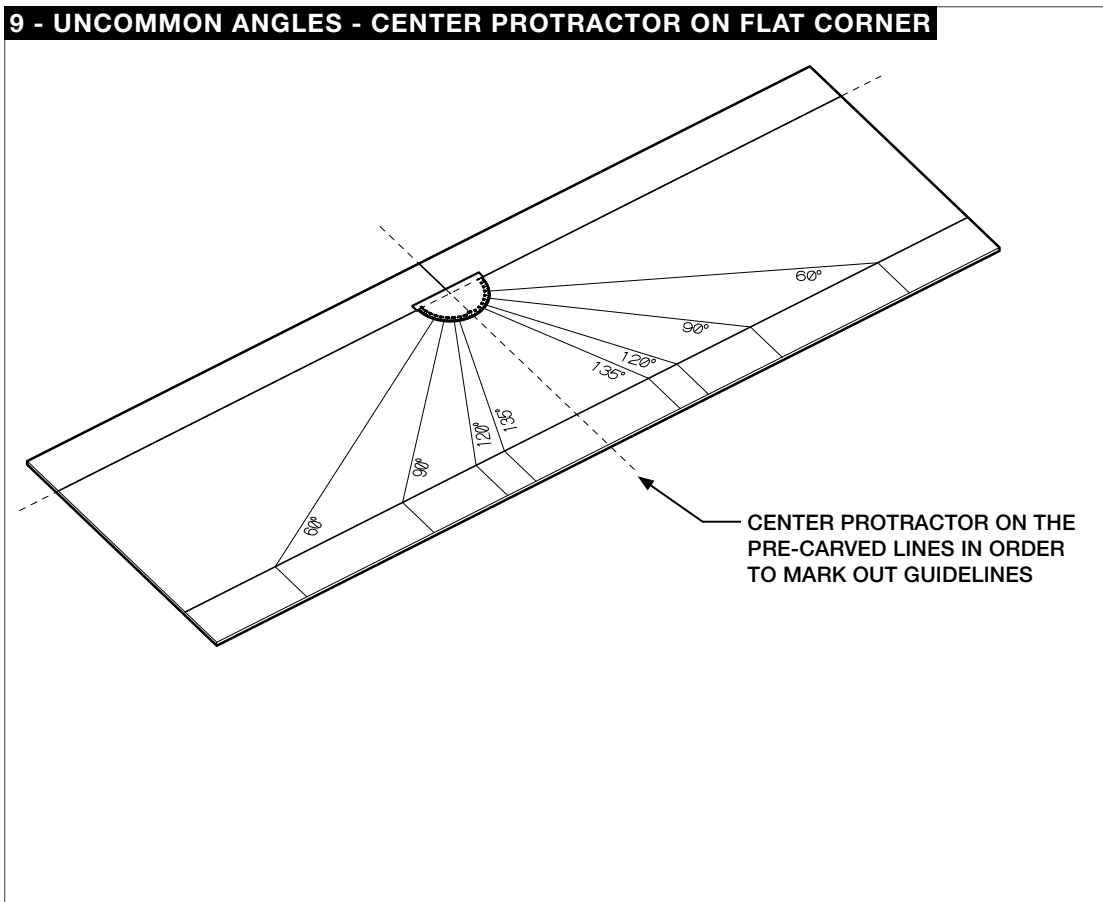


# Cloud Corner Assembly - 3

**Uncommon Angle Example**

This page shows the creation of a 108° corner as an example.

Plaid corners can be trimmed in field to create any angle between 60° & 135°, follow these steps if you need to create an uncommon angle.



**12 - FOLLOW STEPS #3 - #7 TO COMPLETE CORNER**

AFTER COMPLETING STEP #11

JUMP BACK AND FOLLOW STEPS #3 - #7 TO COMPLETE CORNER





# Cloud Installation - Border - 1

## Put All Corners Up First

Putting each of your corners up first will help ensure that when the other border baffles go up, there will be less racking in the grid.

See previous pages 5 - 7 for cloud corner baffle assembly instructions.

## Mending Brackets

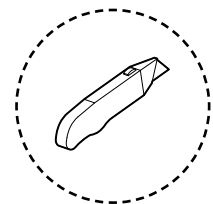
These pieces will be used at each seam for both Border Baffles & Mains.

Mending Brackets are not necessary for connecting Secondaries.

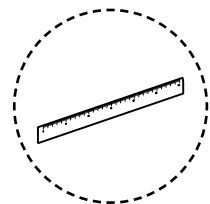
## Adding Connections

If baffles need additional support during installation, see Pg. 16 for instructions on adding connections.

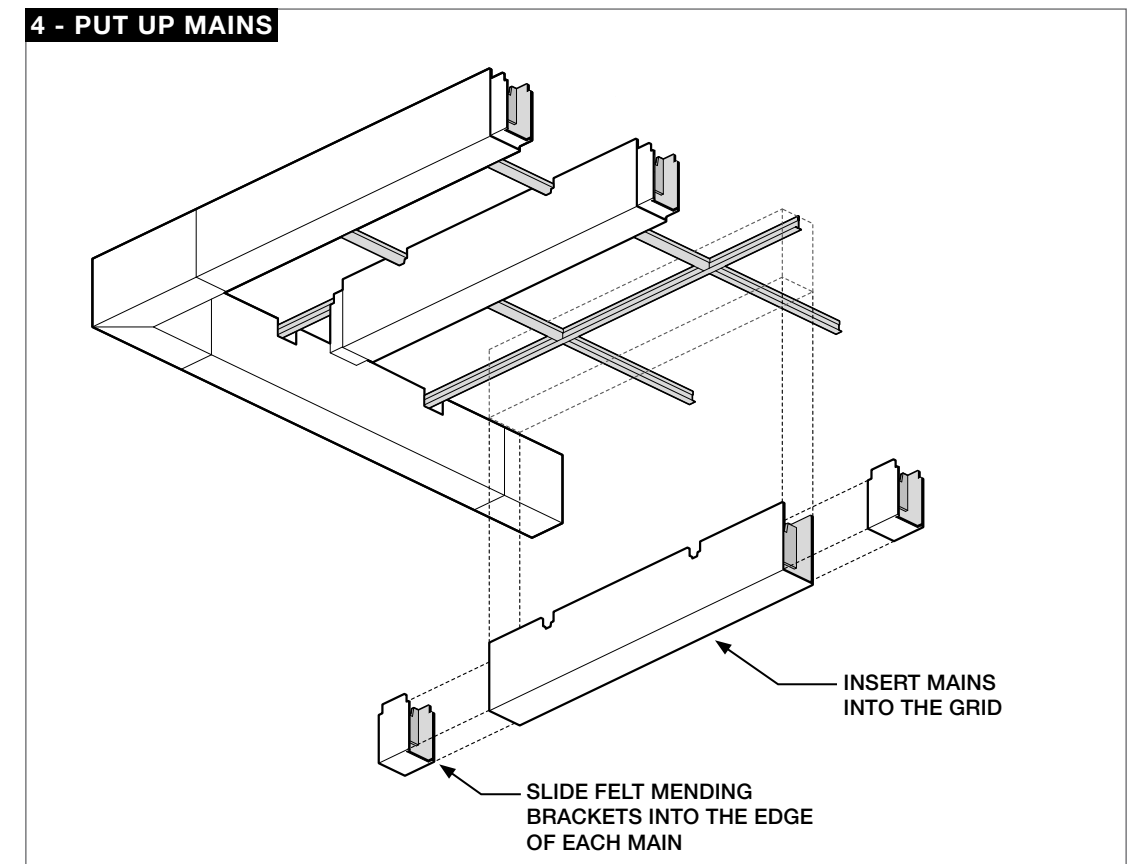
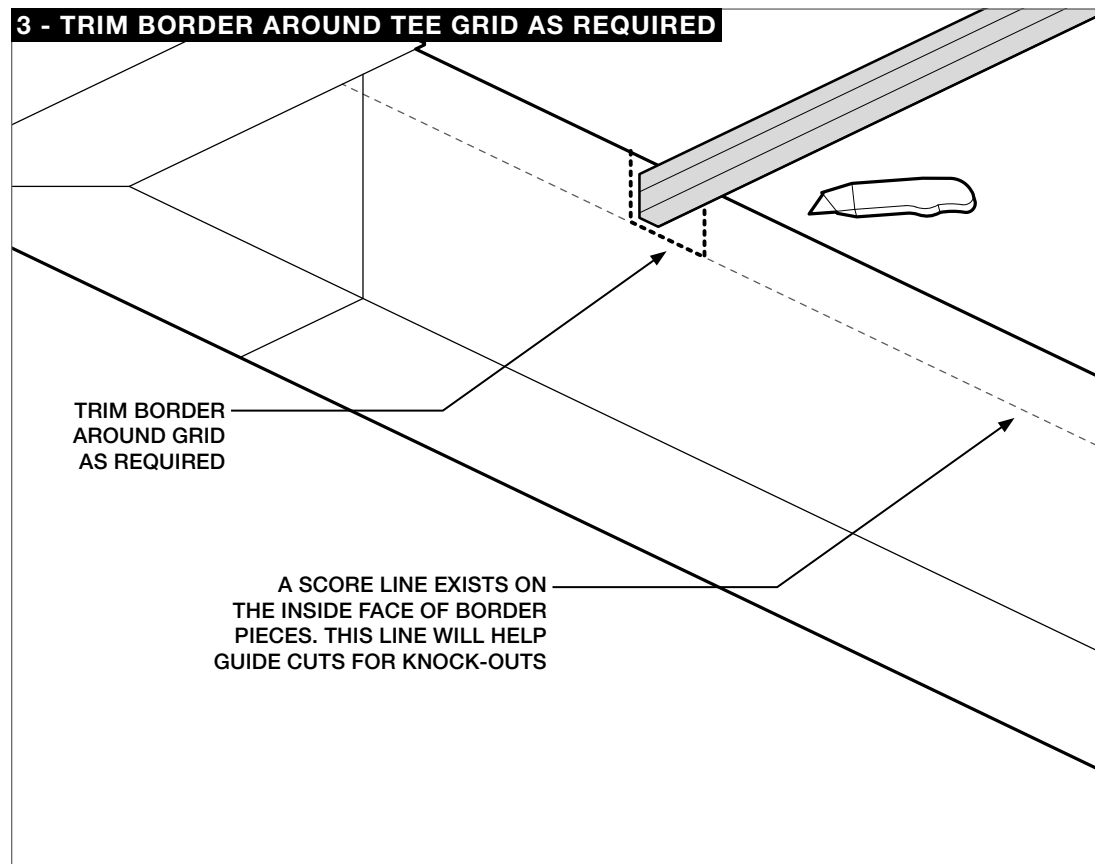
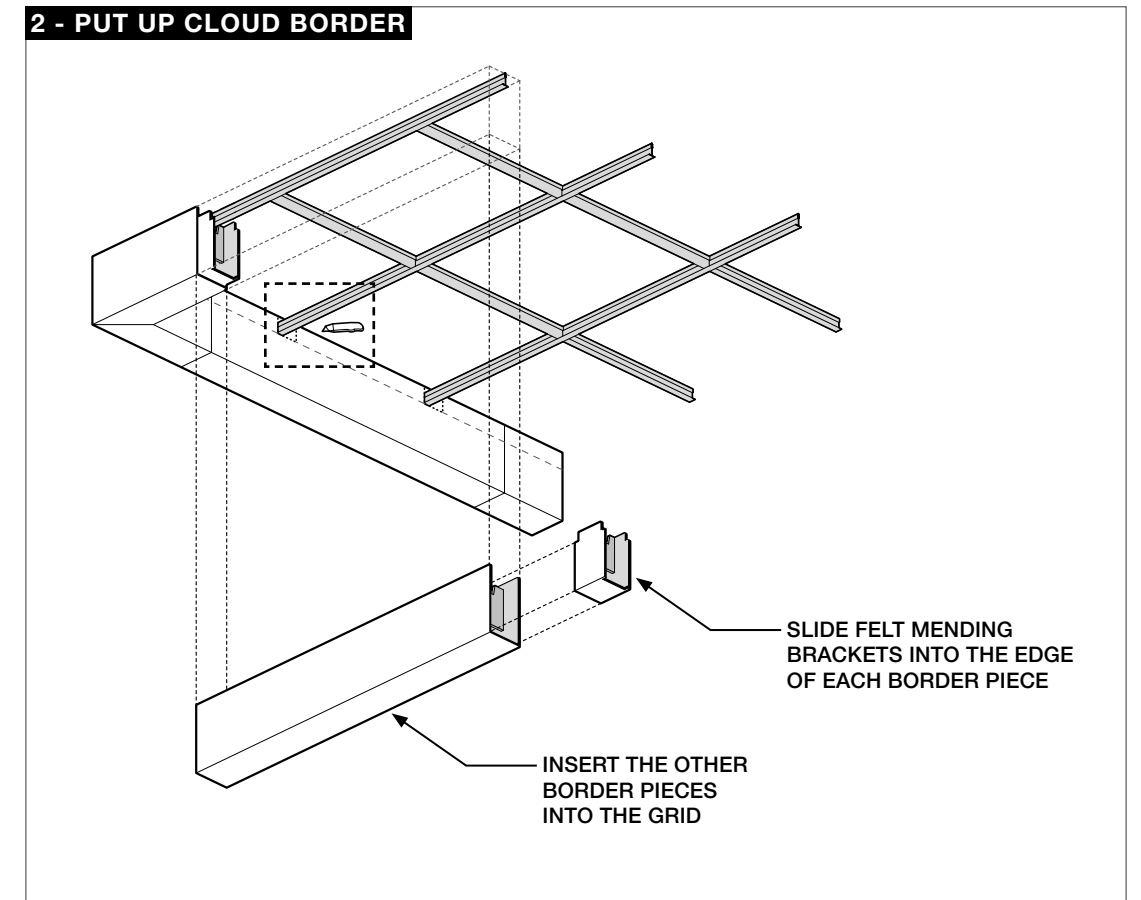
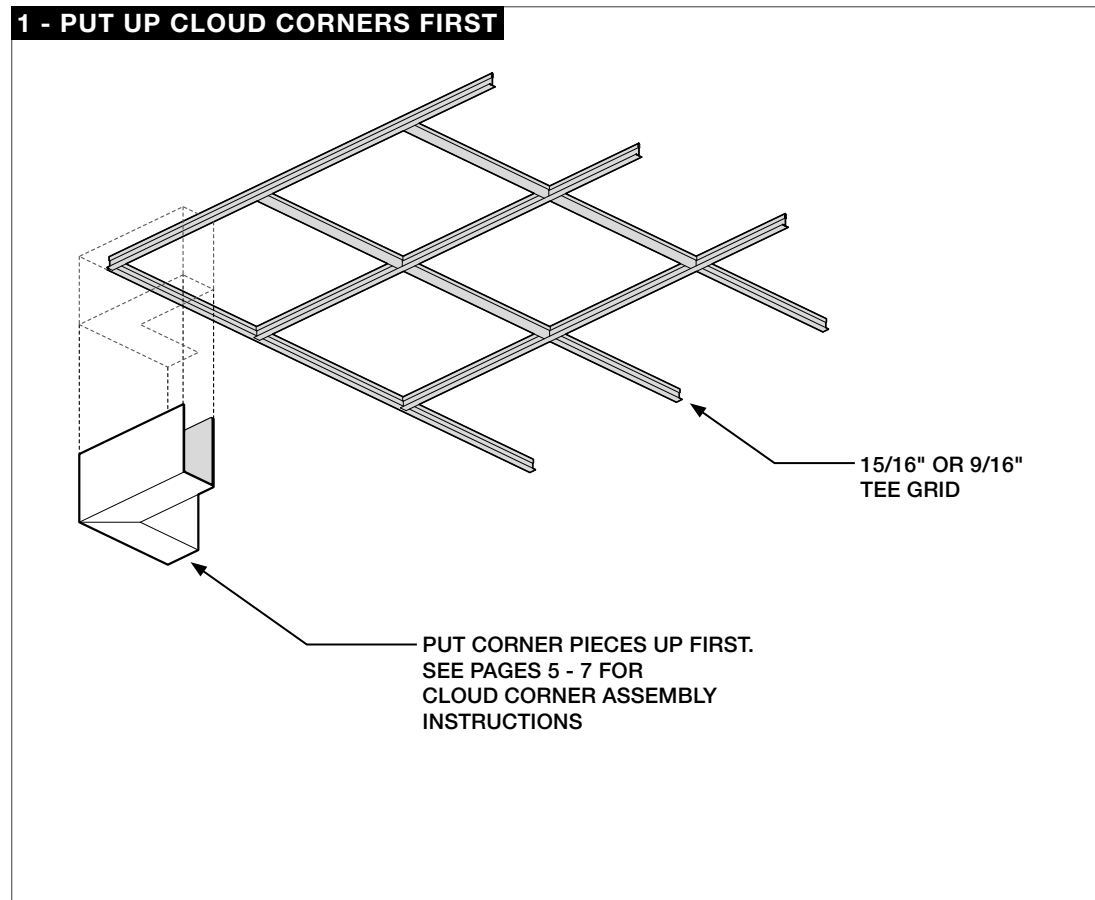
## Tools Required



SHARP BLADE



STRAIGHT EDGE



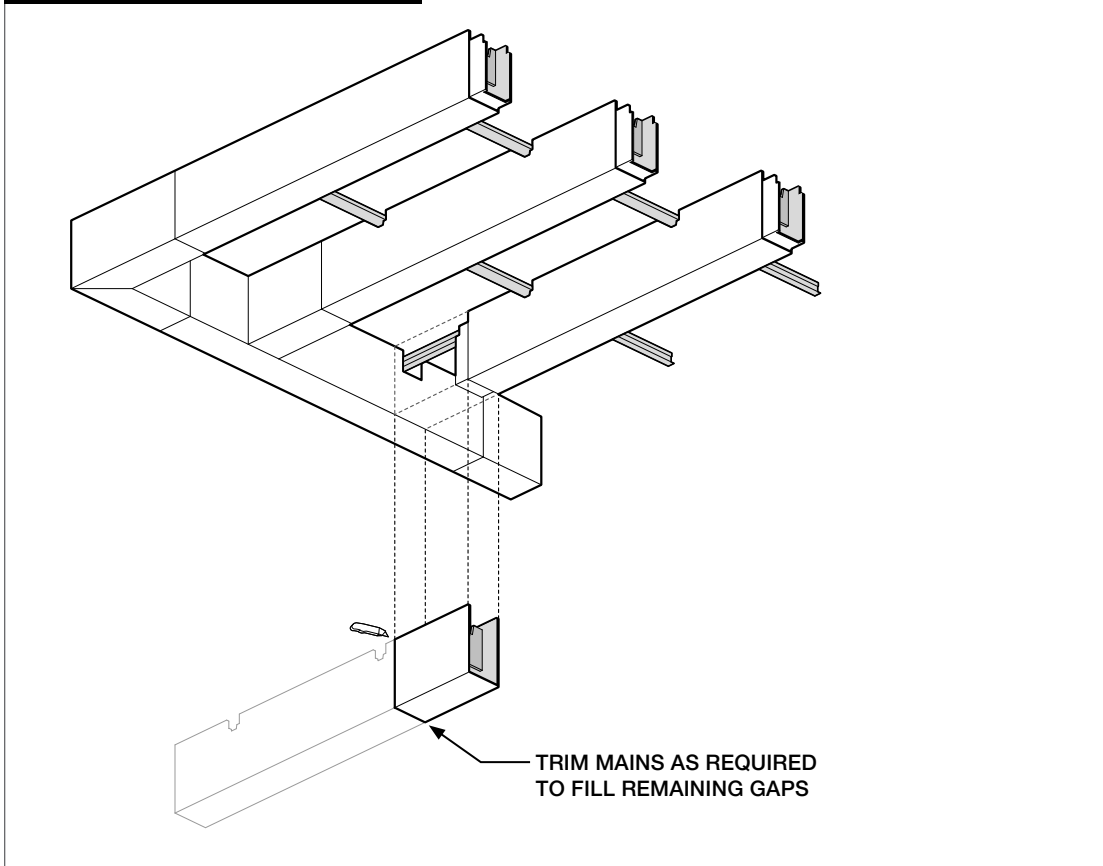


# Cloud Installation - Border - 2

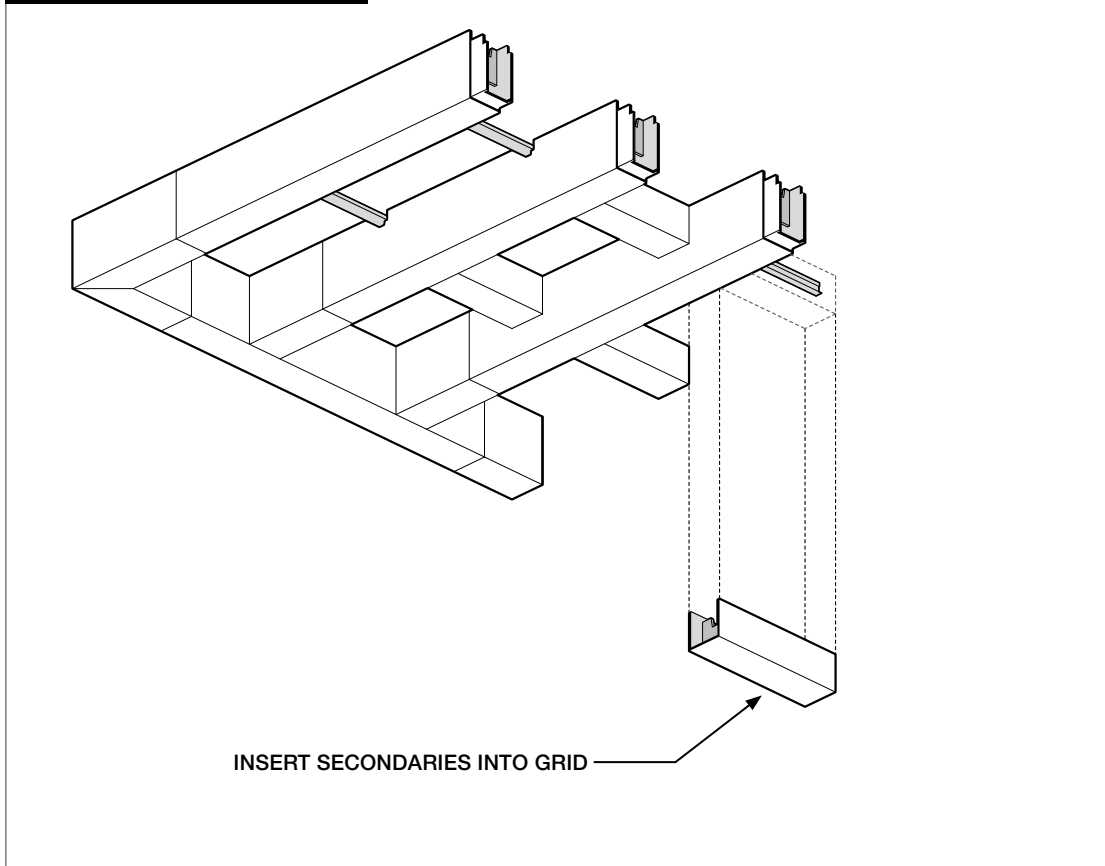
Tile Caps

If your installation includes Tile Caps, see Pg. 4 for detailed installation instructions.

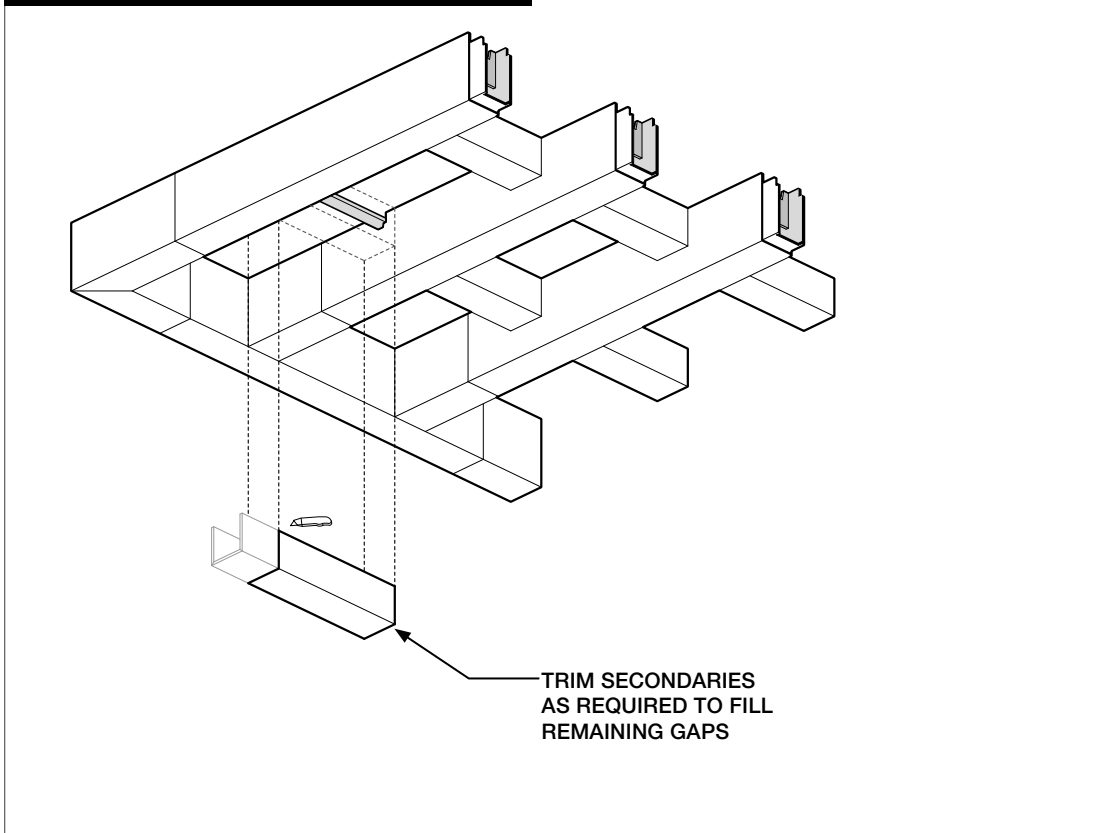
## 5 - TRIM MAINS AS REQUIRED



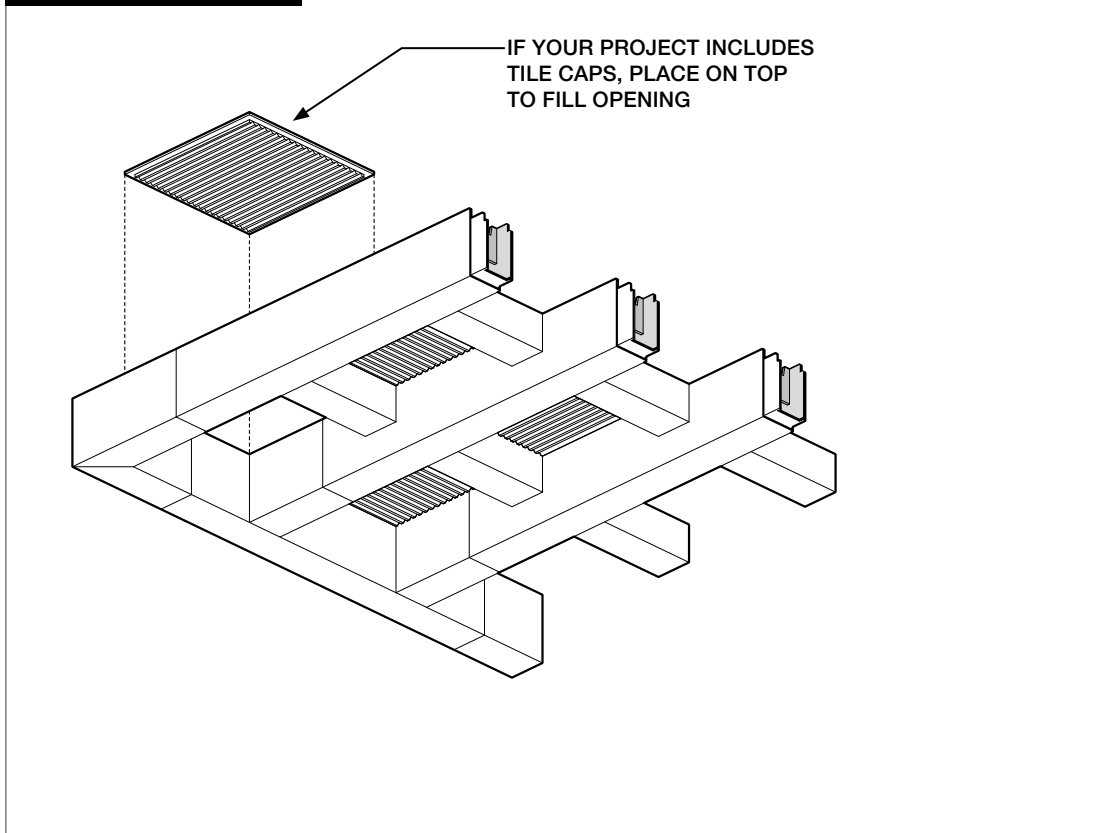
## 6 - PUT UP SECONDARIES



## 7 - TRIM SECONDARIES AS REQUIRED



## 8 - PUT IN TILE CAPS



# Cloud Installation - Open Edge - 1

## Mending Brackets

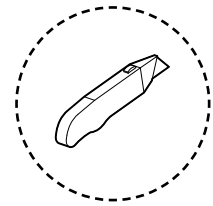
These pieces will be used at each seam for both Border Baffles & Mains.

Mending Brackets are not necessary for connecting Secondaries.

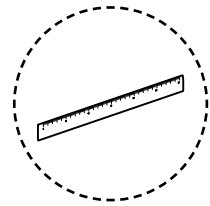
## Adding Connections

If baffles need additional support during installation, see Pg. 16 for instructions on adding connections.

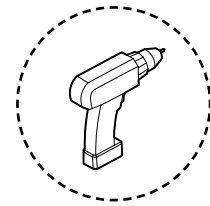
## Tools Required



SHARP BLADE

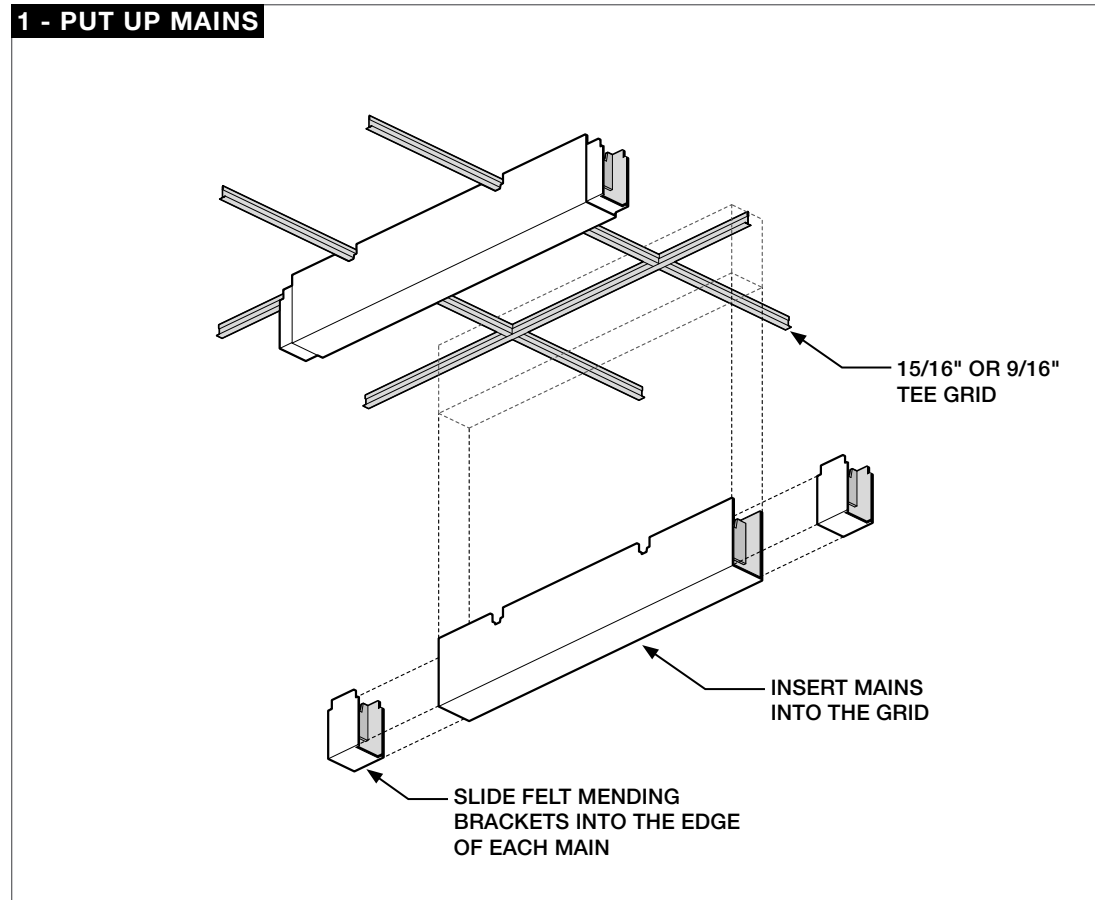


STRAIGHT EDGE

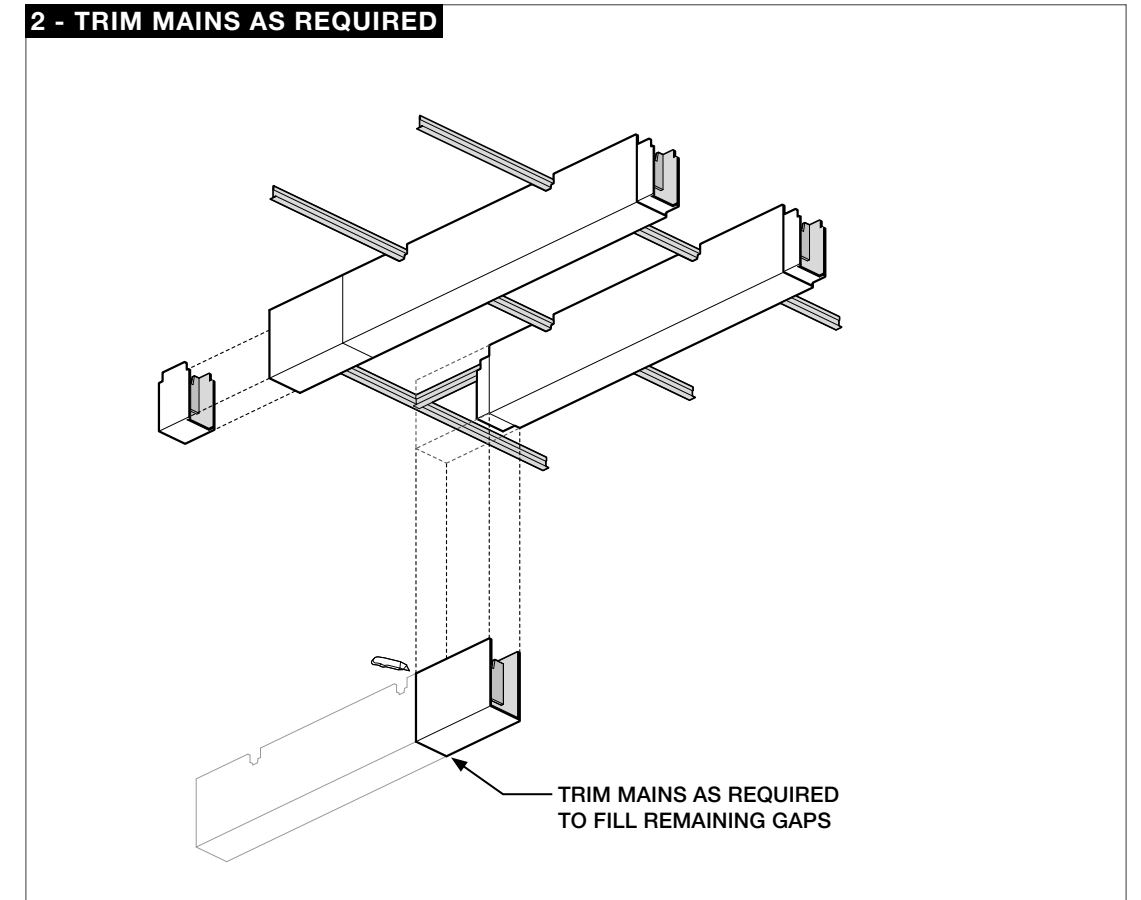


DRILL

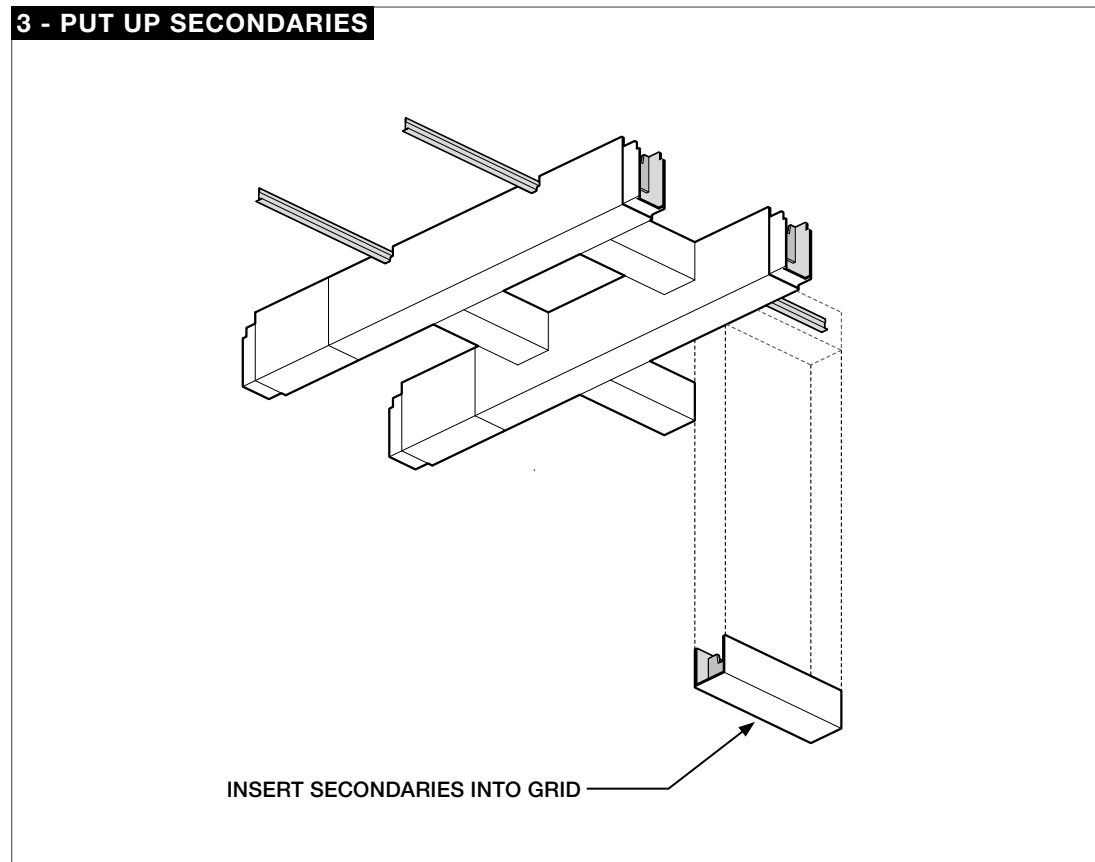
### 1 - PUT UP MAINS



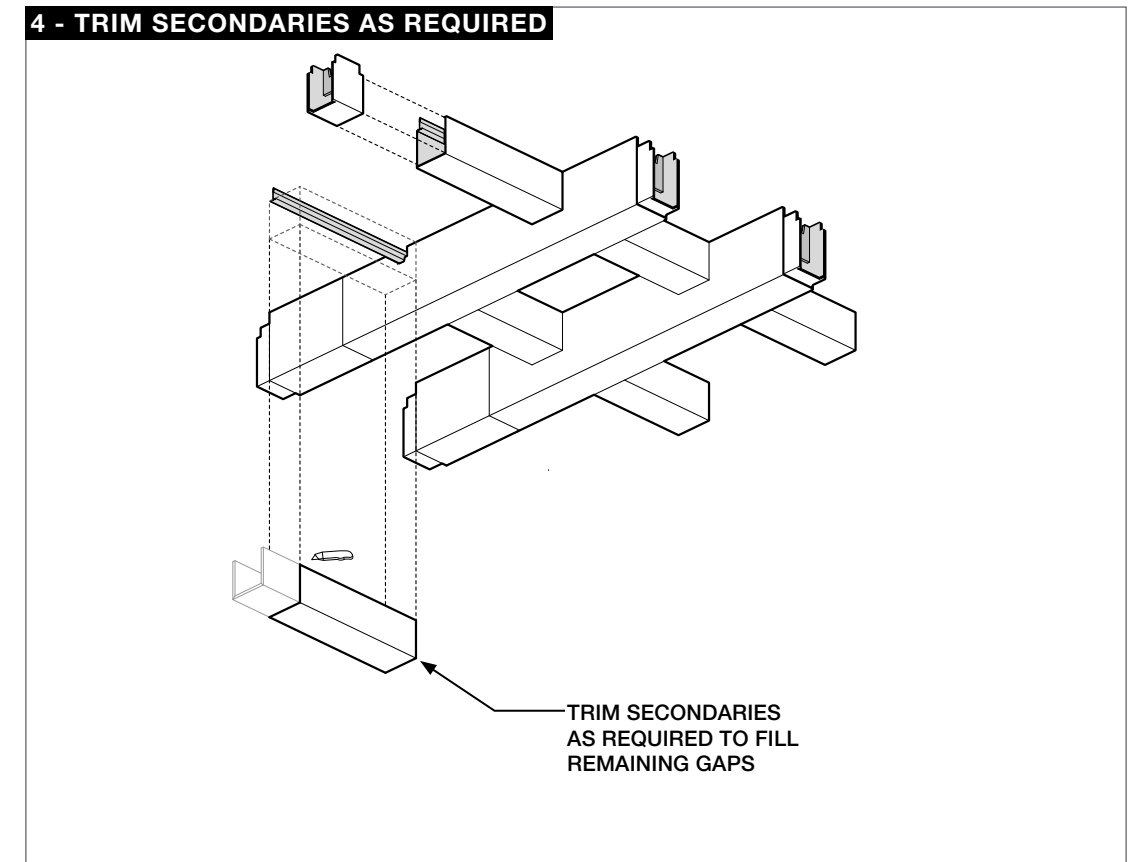
### 2 - TRIM MAINS AS REQUIRED



### 3 - PUT UP SECONDARIES



### 4 - TRIM SECONDARIES AS REQUIRED



# Cloud Installation - Open Edge - 2

**End Caps**

Cloud based installation with an Open Edge includes End Caps.

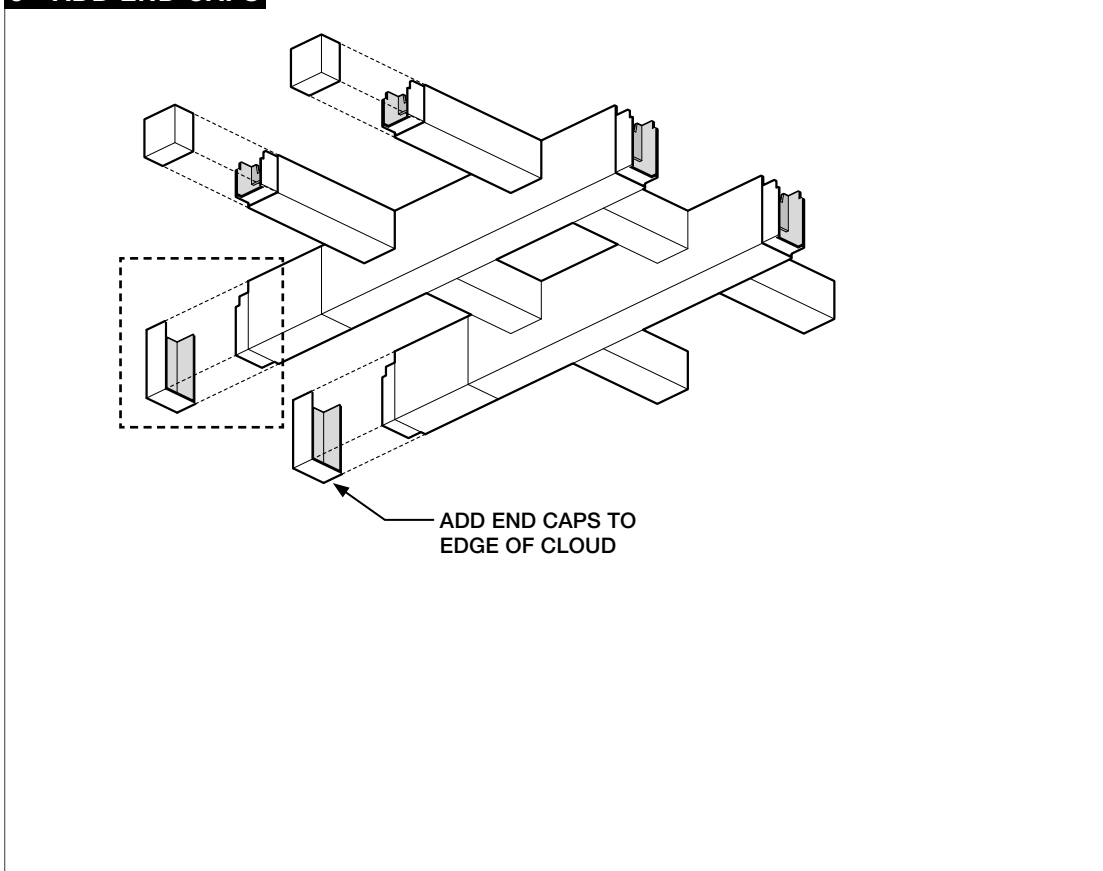
End Caps are screwed directly into Mending Brackets to secure them in place.

**Tile Caps**

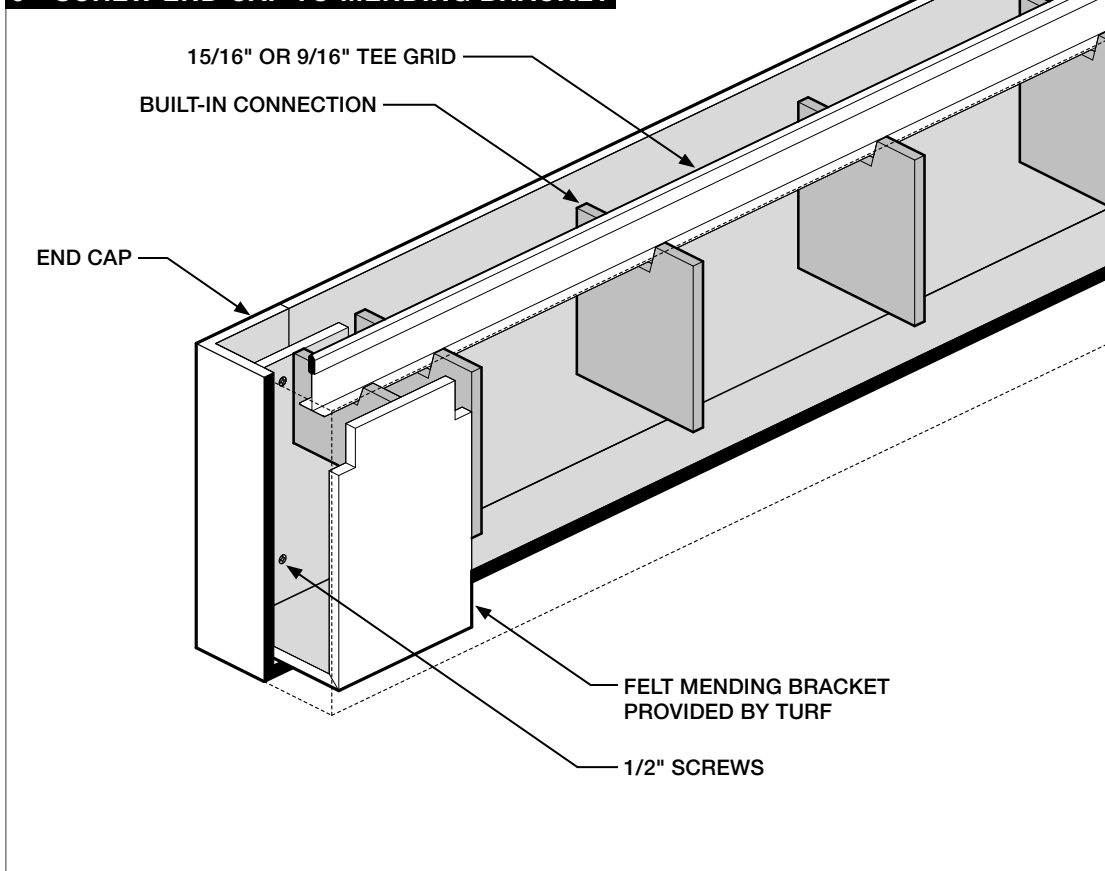
If your installation includes Tile Caps, see Pg. 4 for detailed installation instructions.

Please note, Tile Caps can only be installed in areas where they are enclosed on all four sides by Plaid baffles.

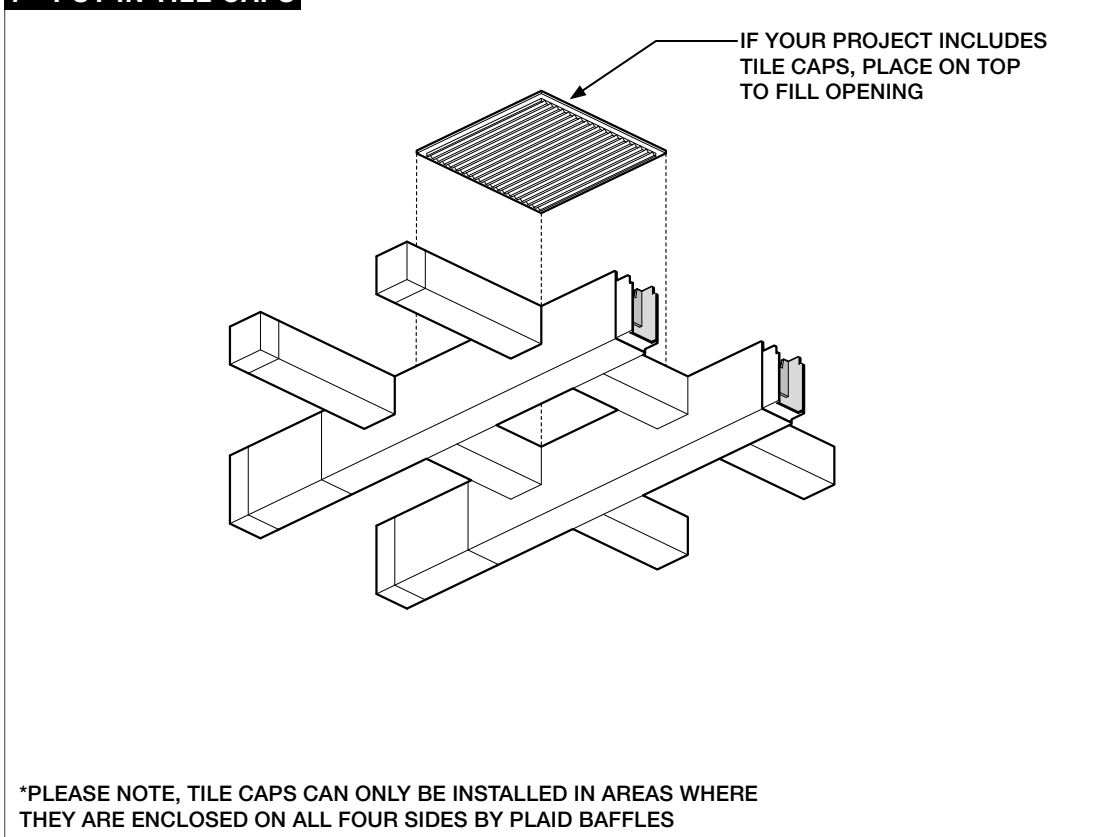
**5 - ADD END CAPS**



**6 - SCREW END CAP TO MENDING BRACKET**



**7 - PUT IN TILE CAPS**



**\*PLEASE NOTE, TILE CAPS CAN ONLY BE INSTALLED IN AREAS WHERE THEY ARE ENCLOSED ON ALL FOUR SIDES BY PLAID BAFFLES**



# Wall Installation - Border - 1

## Wall Border Baffles

Wall Border Baffles in section have one side shorter than the other. The short side goes against the wall under the bottom of grid, see step #2 for details.

The example below shows a mitered corner, reference shop drawings for correct corner requirements.

## Mending Brackets

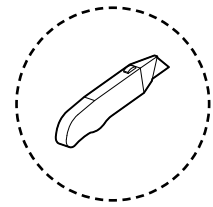
These pieces will be used at each seam for both Border Baffles & Mains.

Mending Brackets are not necessary for connecting Secondaries.

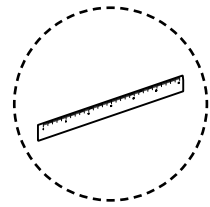
## Adding Connections

If baffles need additional support during installation, see Pg. 16 for instructions on adding connections.

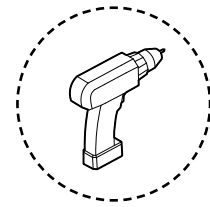
## Tools Required



SHARP BLADE

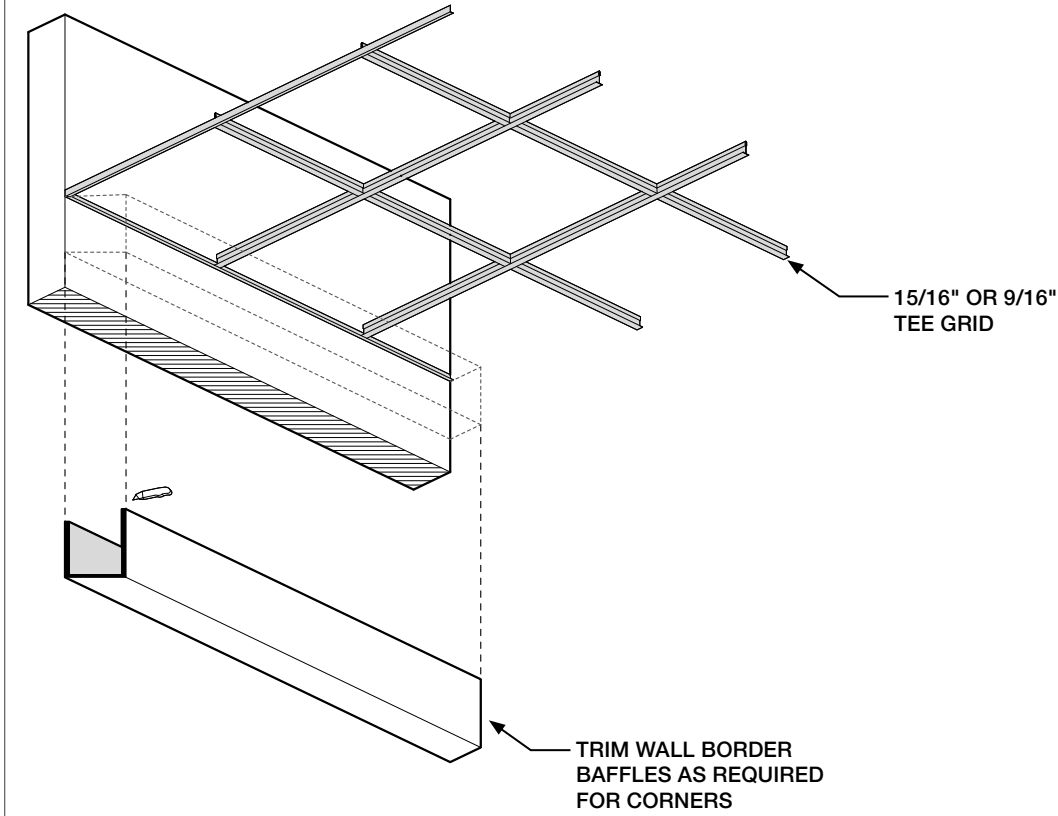


STRAIGHT EDGE

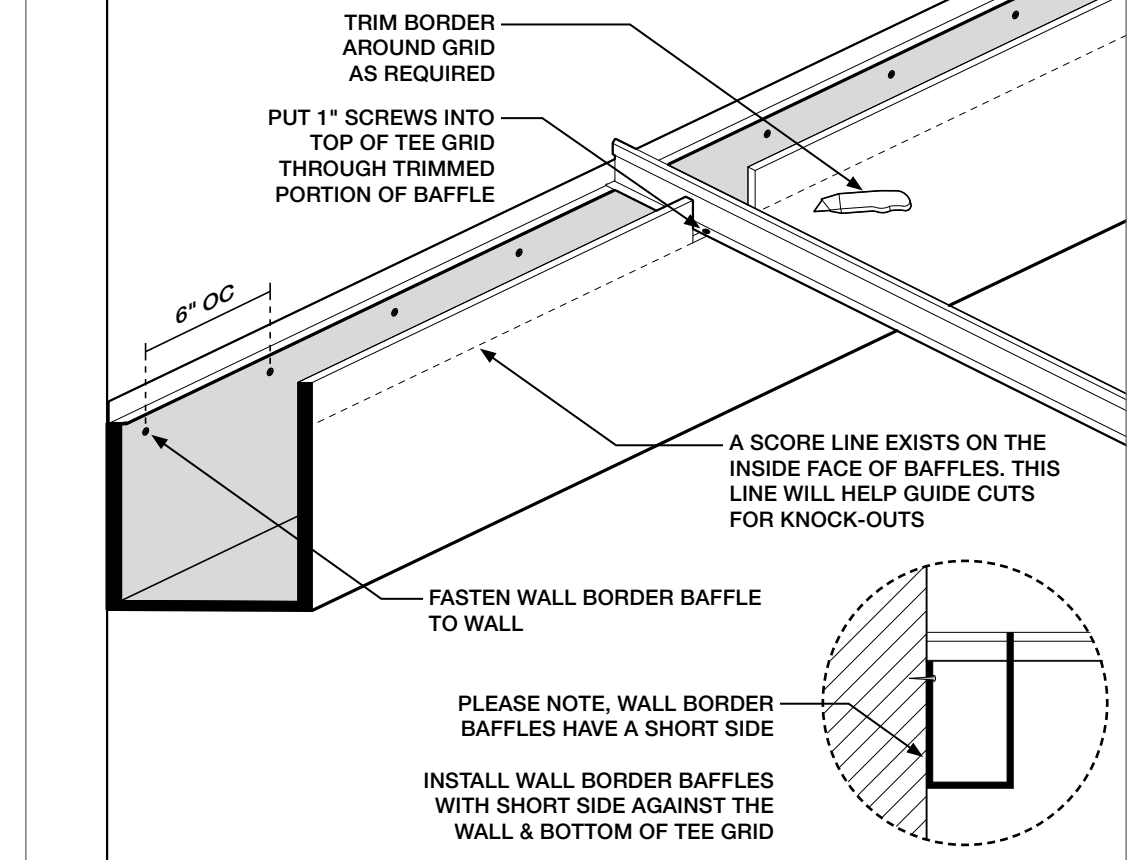


DRILL

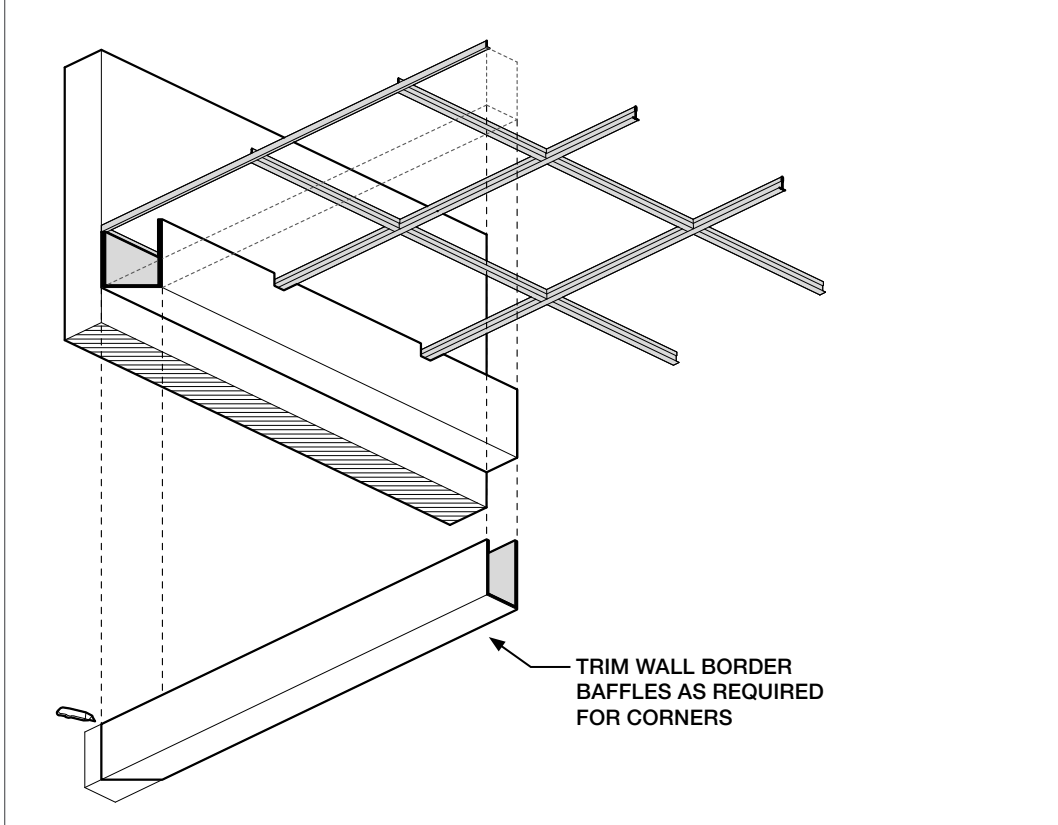
### 1 - PUT UP WALL BORDER BAFFLES TO CREATE CORNER



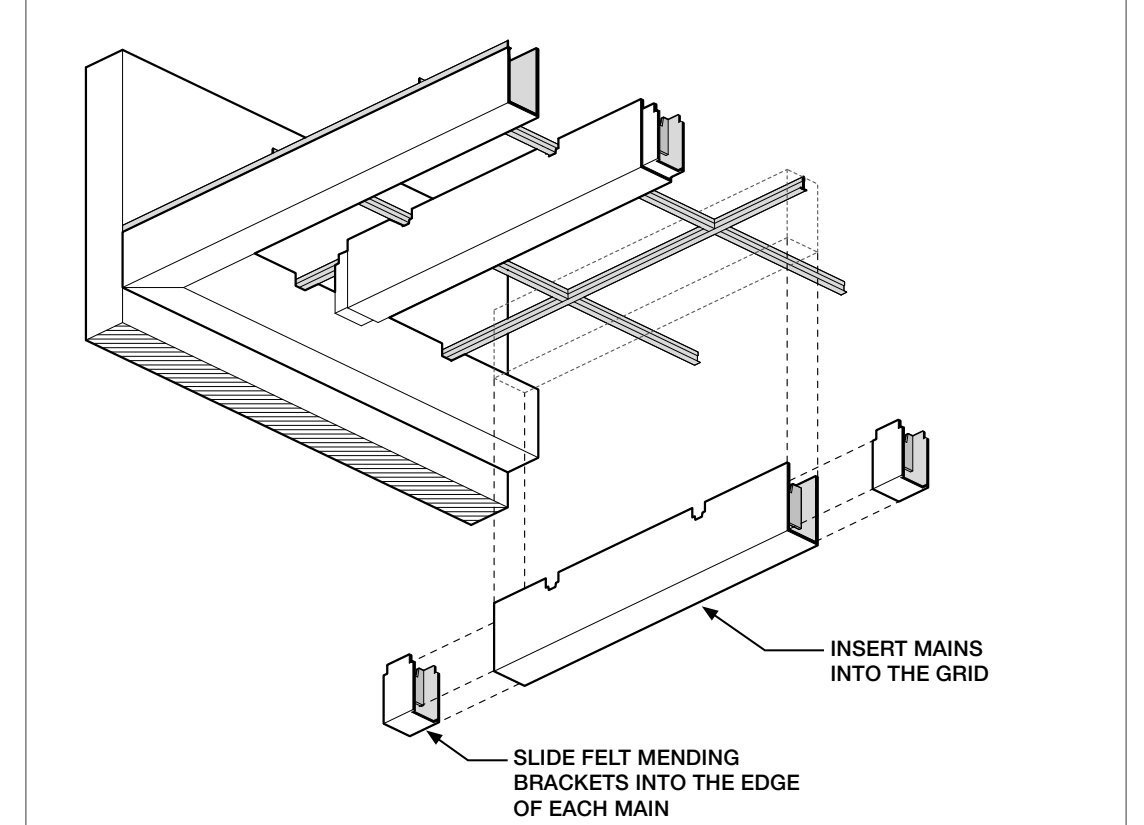
### 2 - FASTEN WALL BORDER BAFFLES TO WALL & TEE GRID



### 3 - PUT UP WALL BORDER BAFFLE TO COMPLETE CORNER



### 4 - PUT UP MAINS

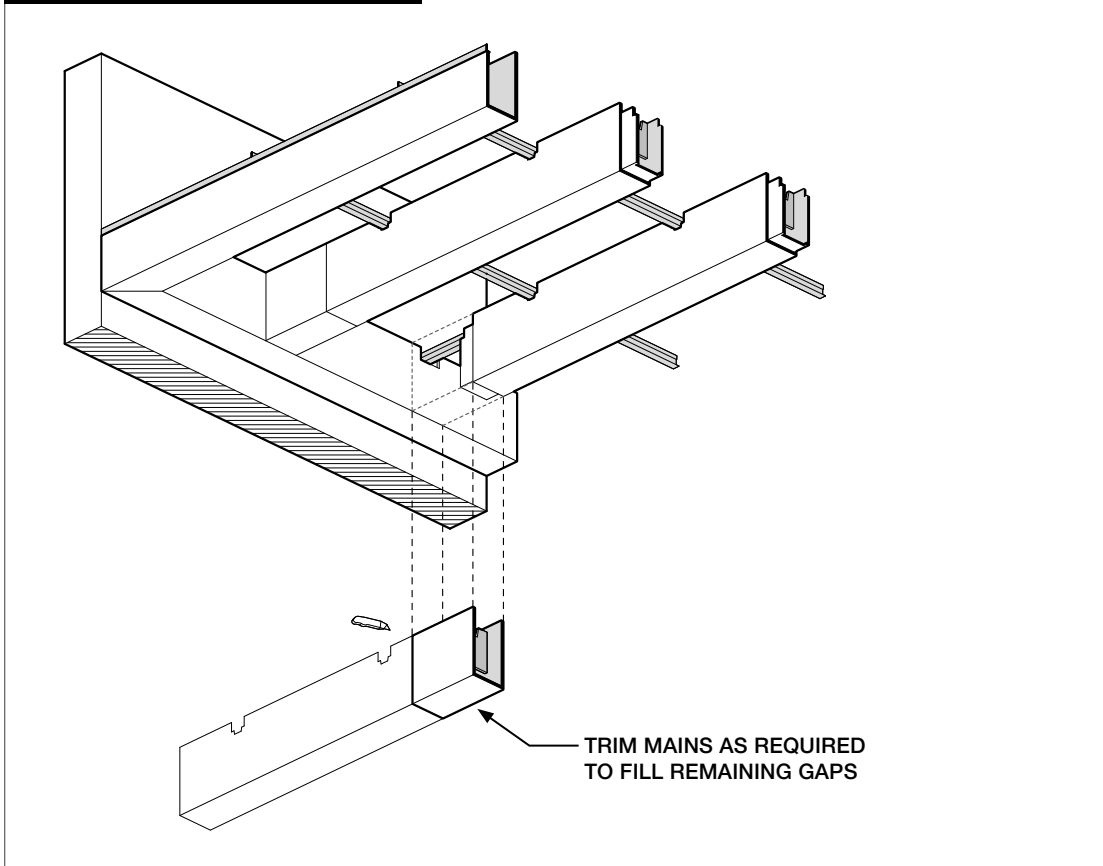


# Wall Installation - Border - 2

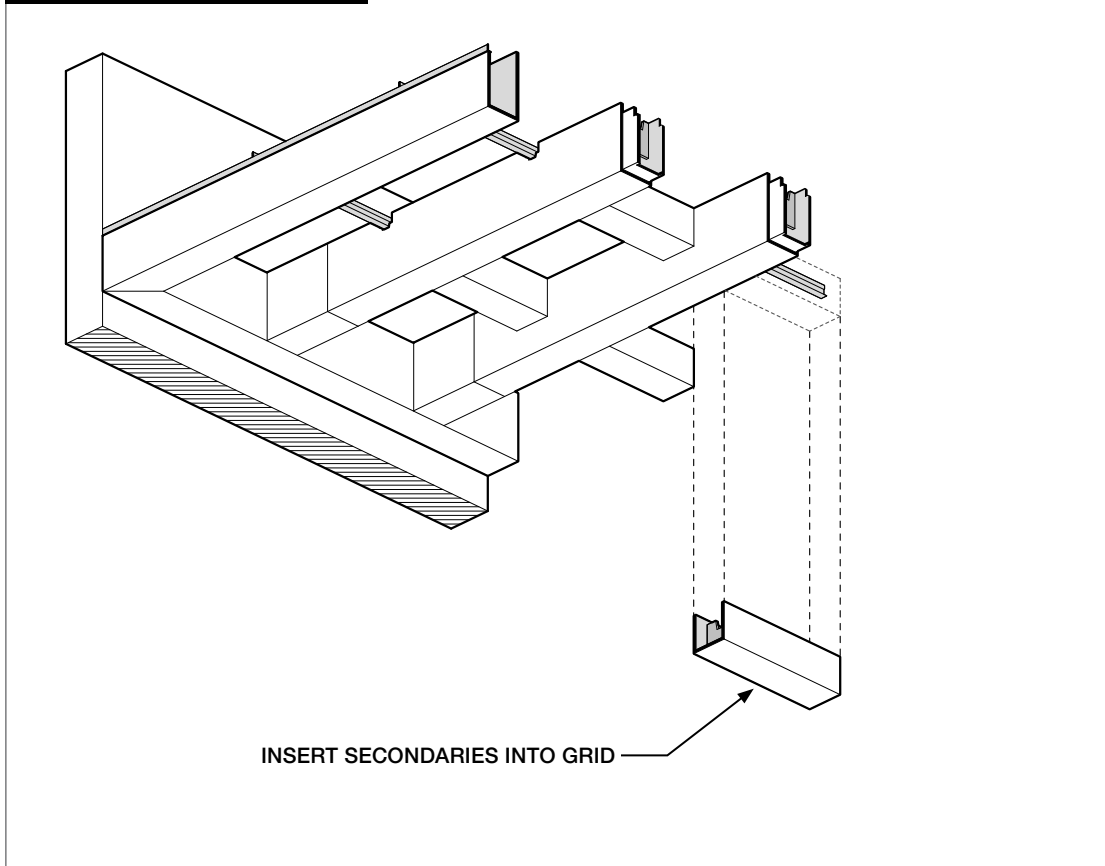
Tile Caps

If your installation includes Tile Caps, see Pg. 4 for detailed installation instructions.

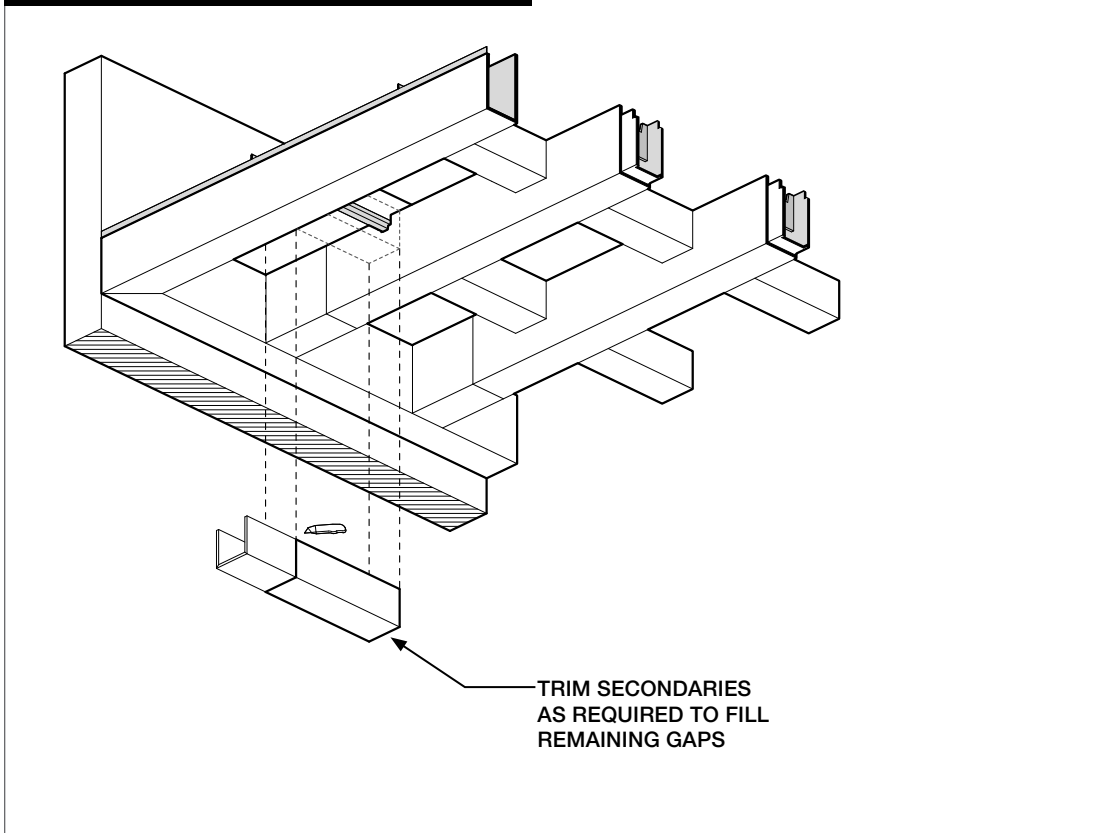
## 5 - TRIM MAINS AS REQUIRED



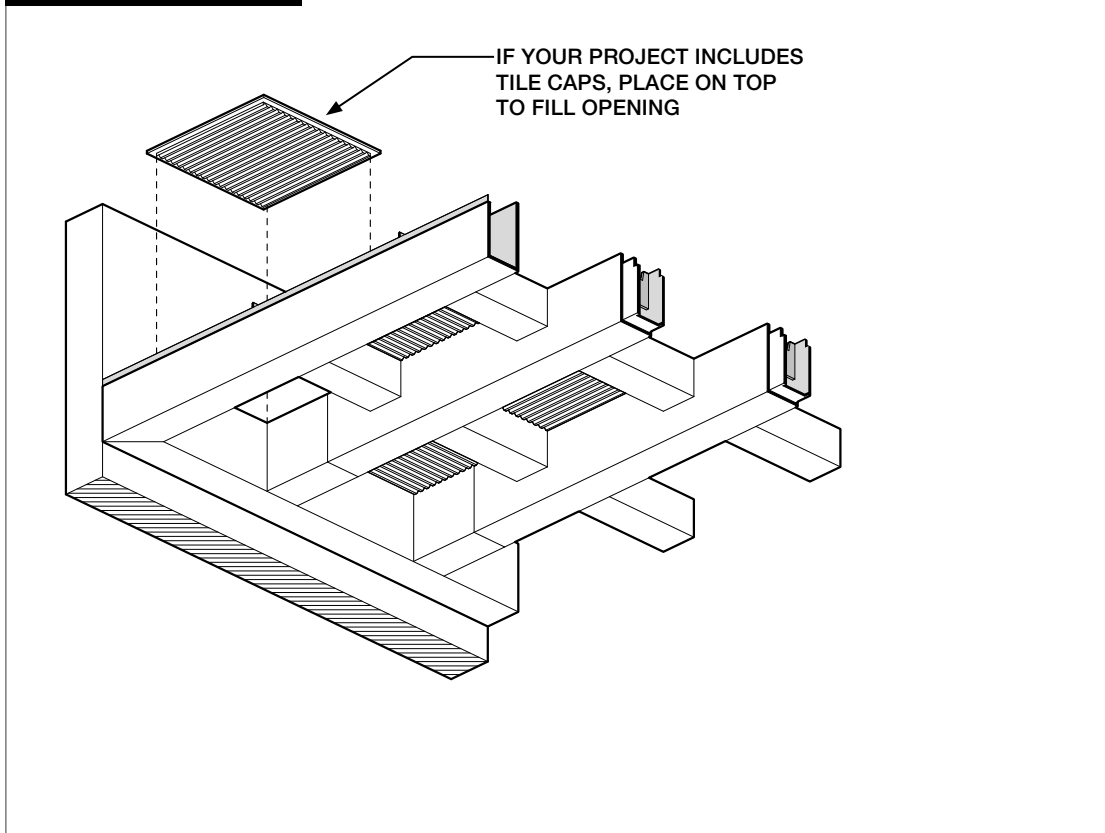
## 6 - PUT UP SECONDARIES



## 7 - TRIM SECONDARIES AS REQUIRED



## 8 - PUT IN TILE CAPS

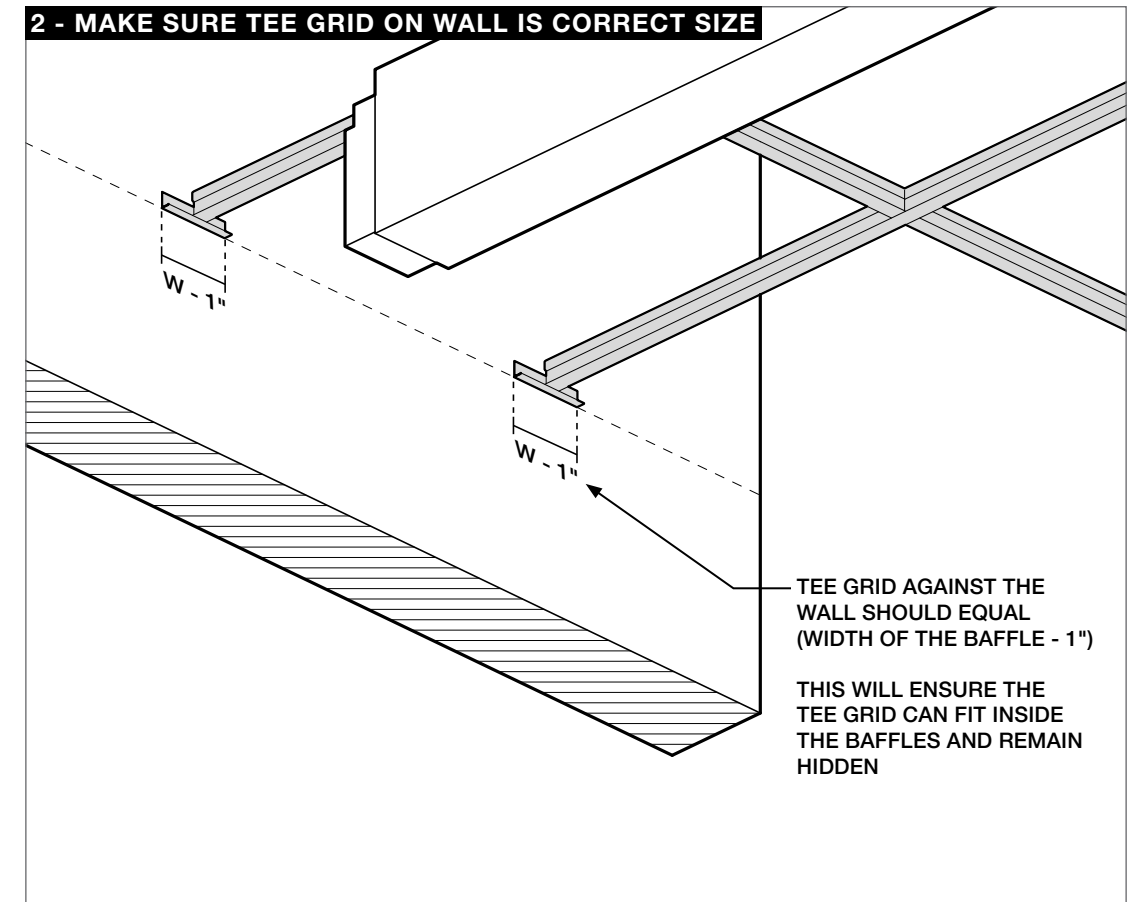
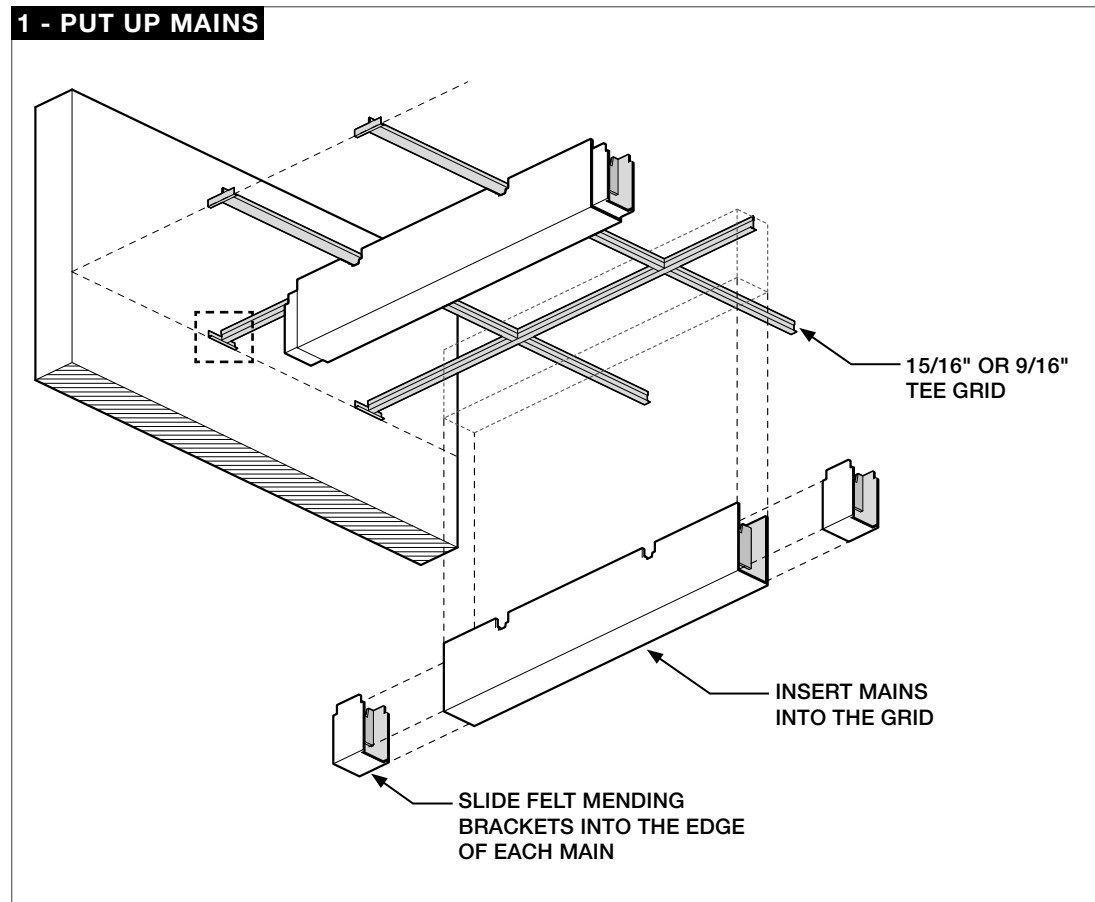


# Wall Installation - Open Edge - 1

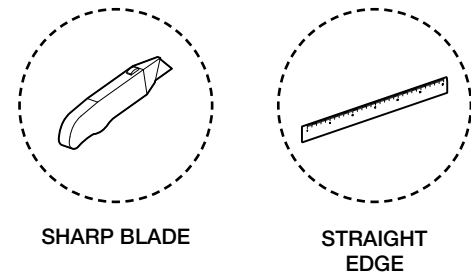
**Tee Grid On Wall** The grid attached to the wall must be trimmed in short sections, ensuring it will remain hidden after the installation of all baffles. See step #2 for details.

**Mending Brackets** These pieces will be used at each seam for both Border Baffles & Mains. Mending Brackets are not necessary for connecting Secondaries.

**Adding Connections** If baffles need additional support during installation, see Pg. 16 for instructions on adding connections.

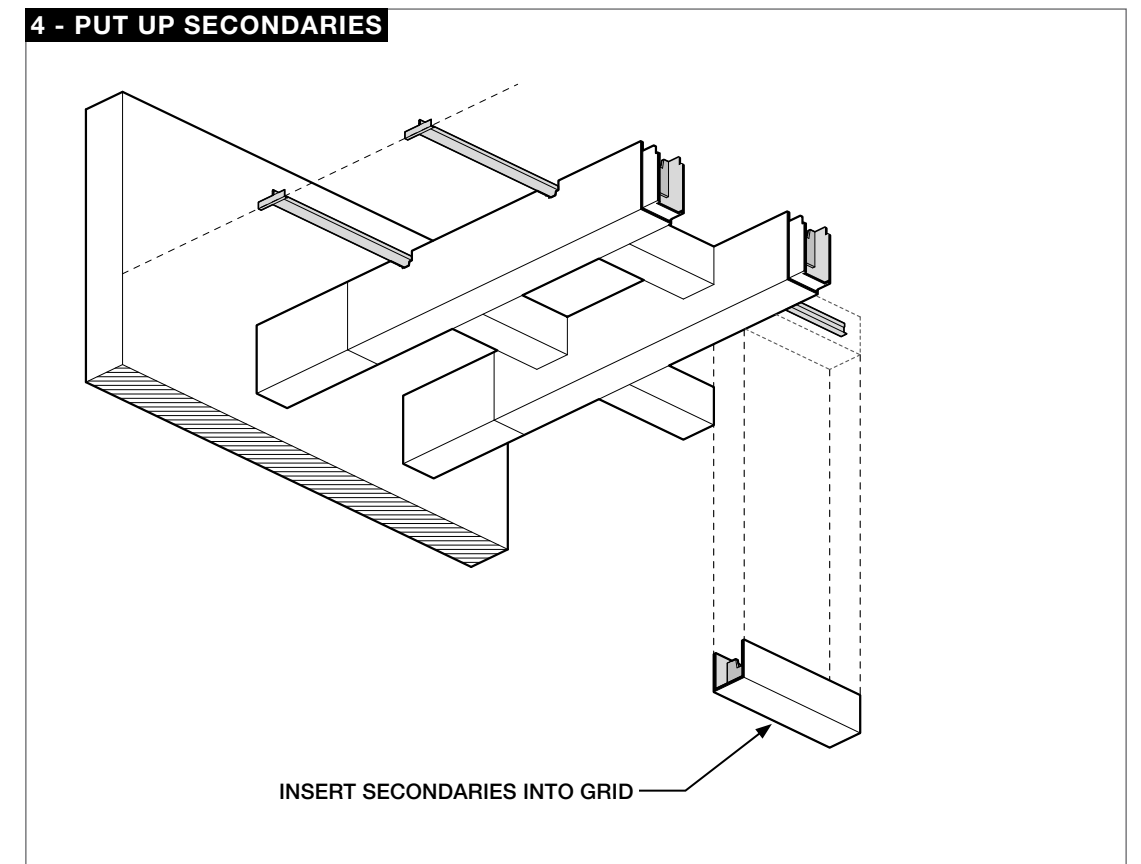
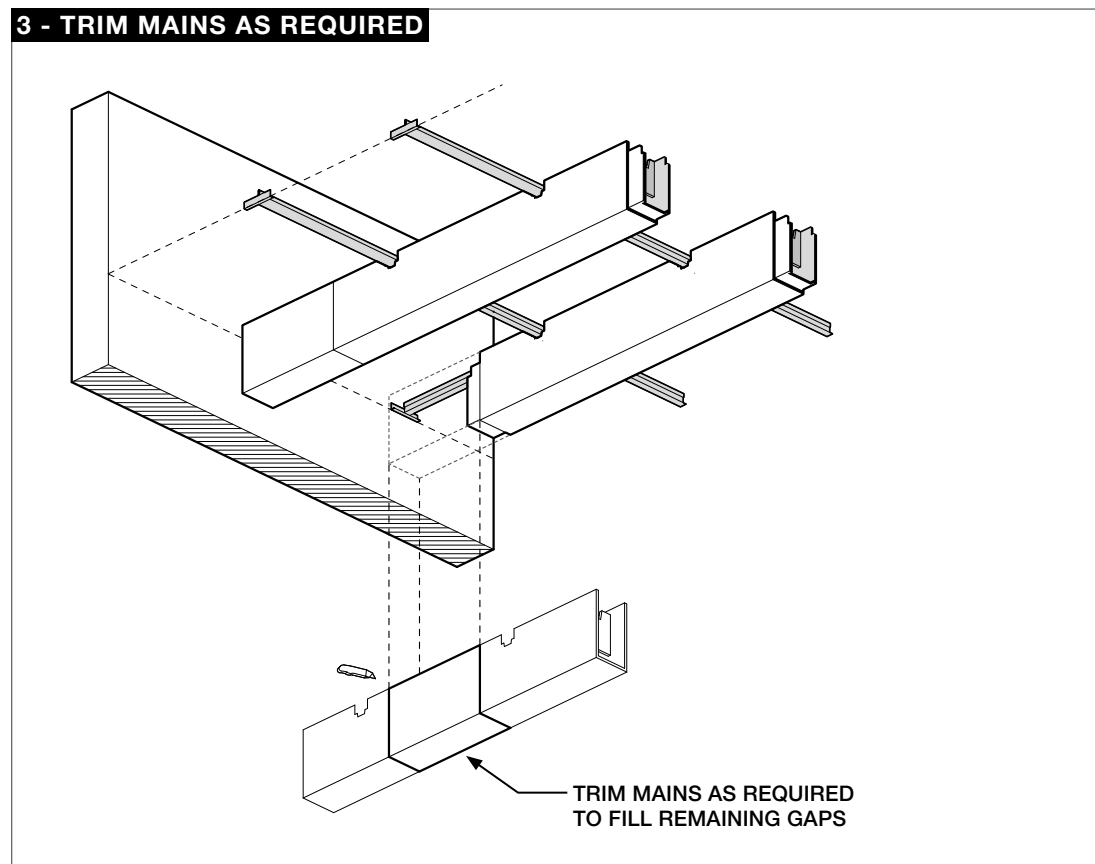


## Tools Required



SHARP BLADE

STRAIGHT EDGE





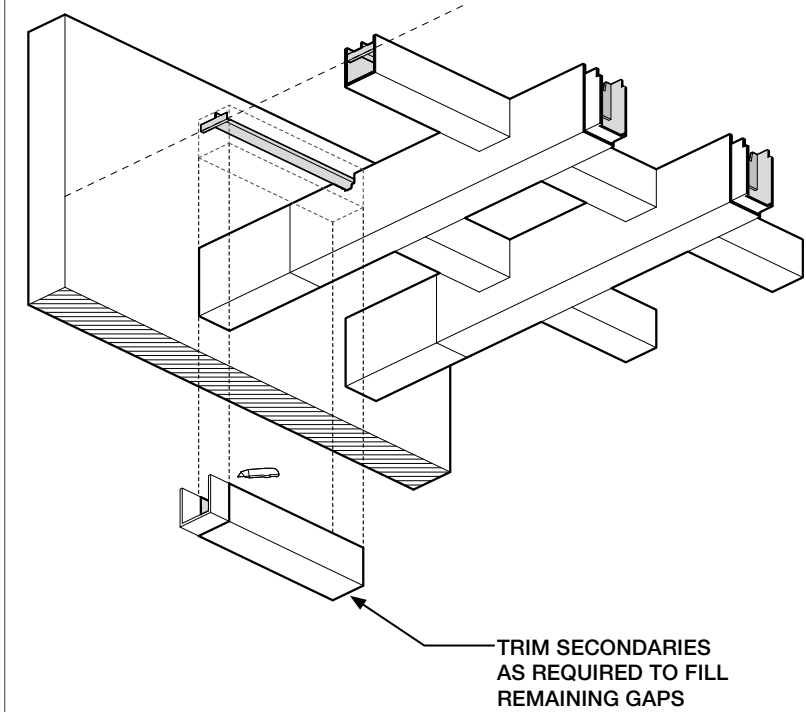
# Wall Installation - Open Edge - 2

## Tile Caps

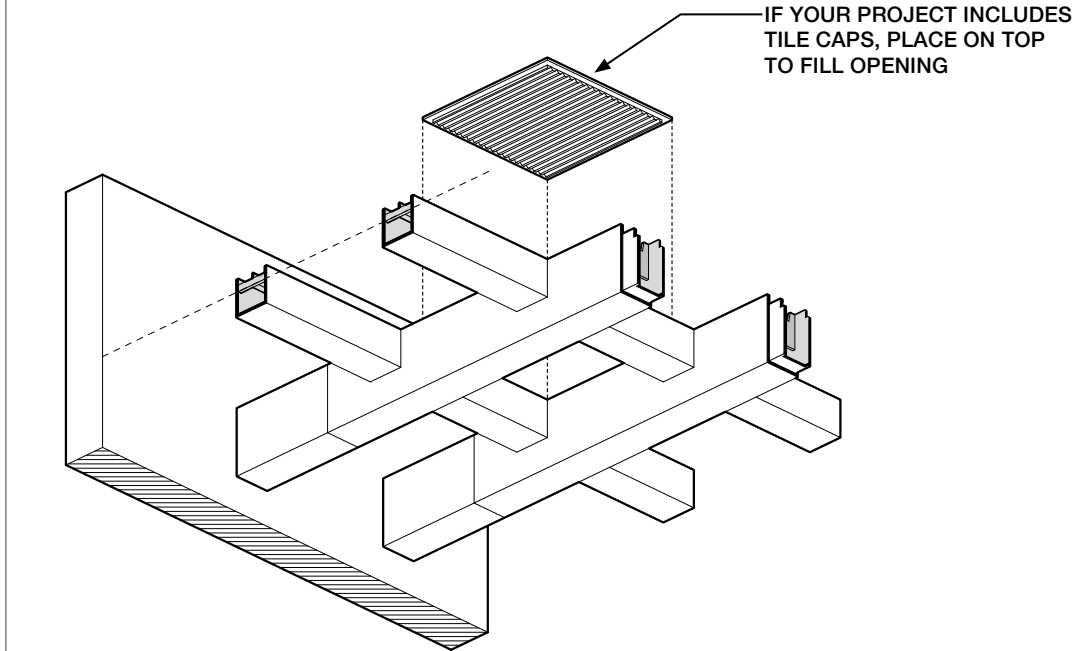
If your installation includes Tile Caps, see Pg. 4 for detailed installation instructions.

Please note, Tile Caps can only be installed in areas where they are enclosed on all four sides by Plaid baffles.

### 5 - TRIM SECONDARIES AS REQUIRED



### 6 - PUT IN TILE CAPS



\*PLEASE NOTE, TILE CAPS CAN ONLY BE INSTALLED IN AREAS WHERE THEY ARE ENCLOSED ON ALL FOUR SIDES BY PLAID Baffles

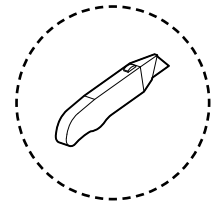


# Adding Connections

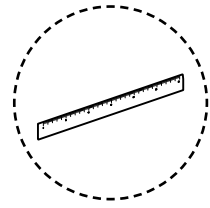
## Extra Gridlock Connections

If a baffle needs additional support, or a connection is lost during the trimming process, follow this guide to add Gridlock connections.

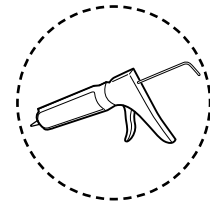
## Tools Required



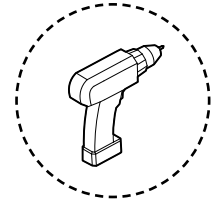
SHARP BLADE



STRAIGHT EDGE

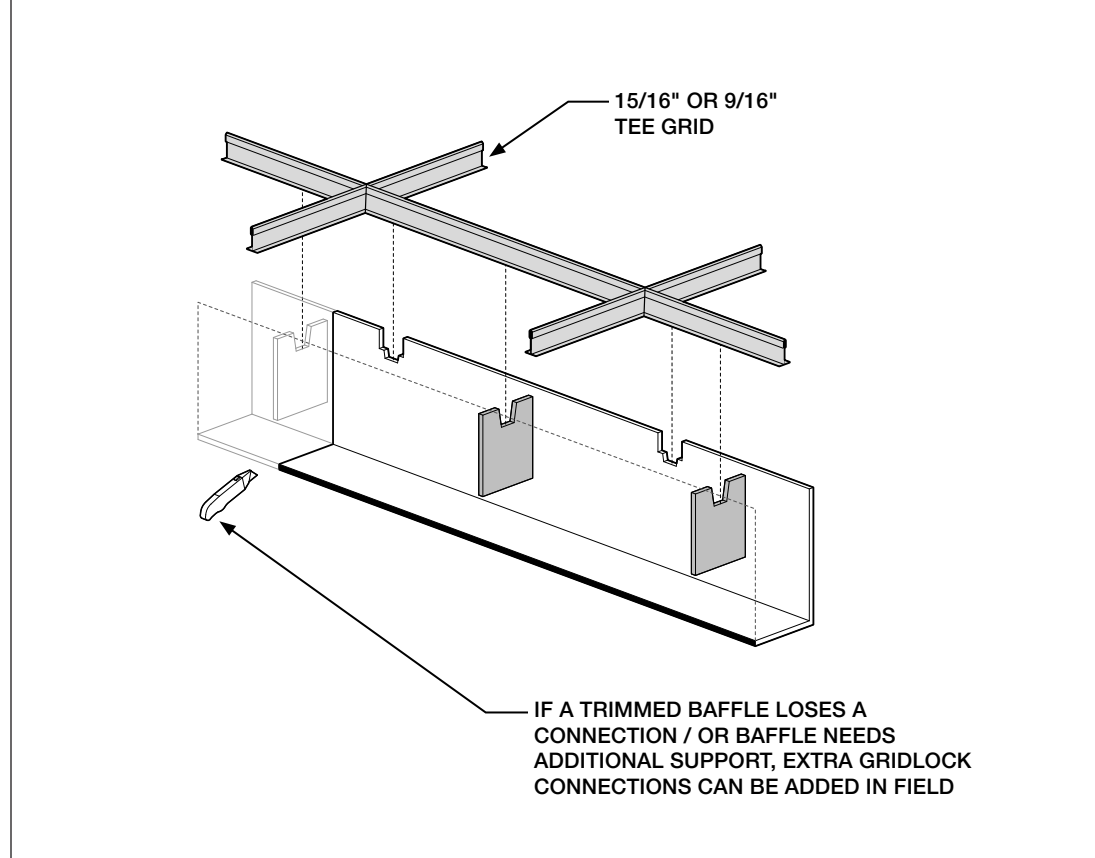


CONSTRUCTION ADHESIVE

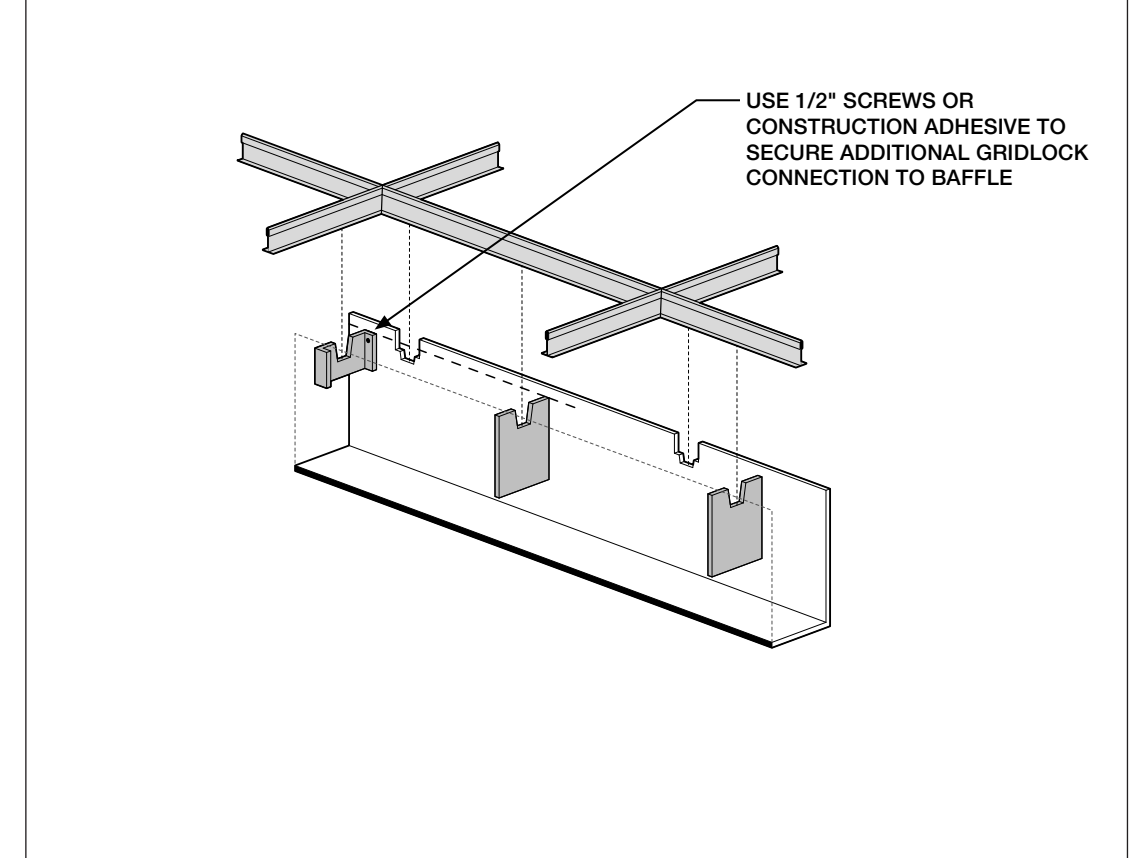


DRILL

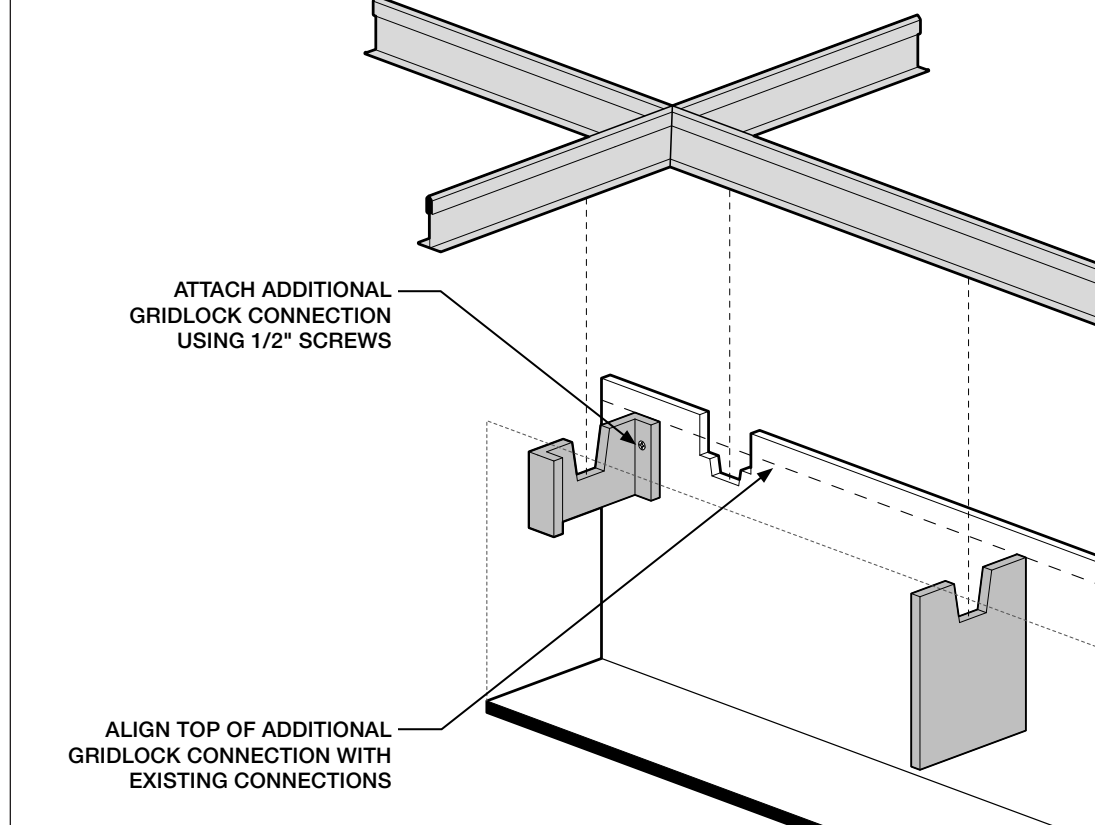
### 1 - BAFFLE NEEDS ADDITIONAL CONNECTION IN FIELD



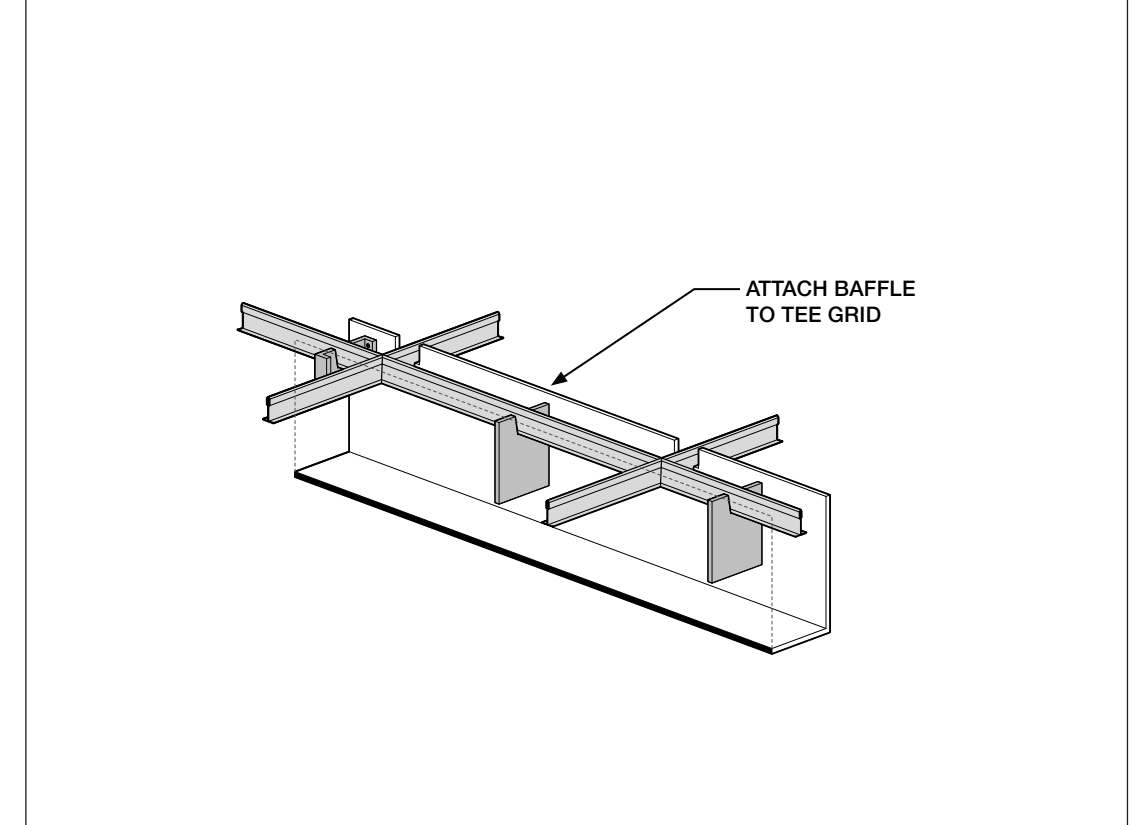
### 2 - SCREW IN ADDITIONAL GRIDLOCK CONNECTION



### 3 - ZOOM IN DETAIL



### 4 - ATTACH BAFFLE TO TEE GRID



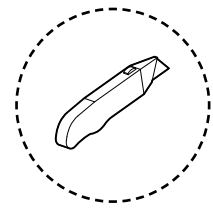
# Third-Party Fixtures Using Grid

## Trimming Connections

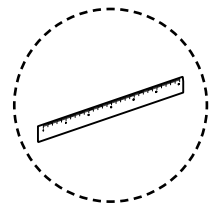
Be aware, to accommodate third-party fixtures the installer will need to trim the baffle & the internal connections.

Additional hardware will be required to secure baffles to grid.

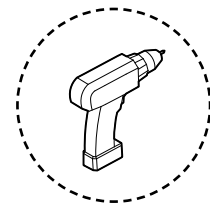
## Tools Required



SHARP BLADE

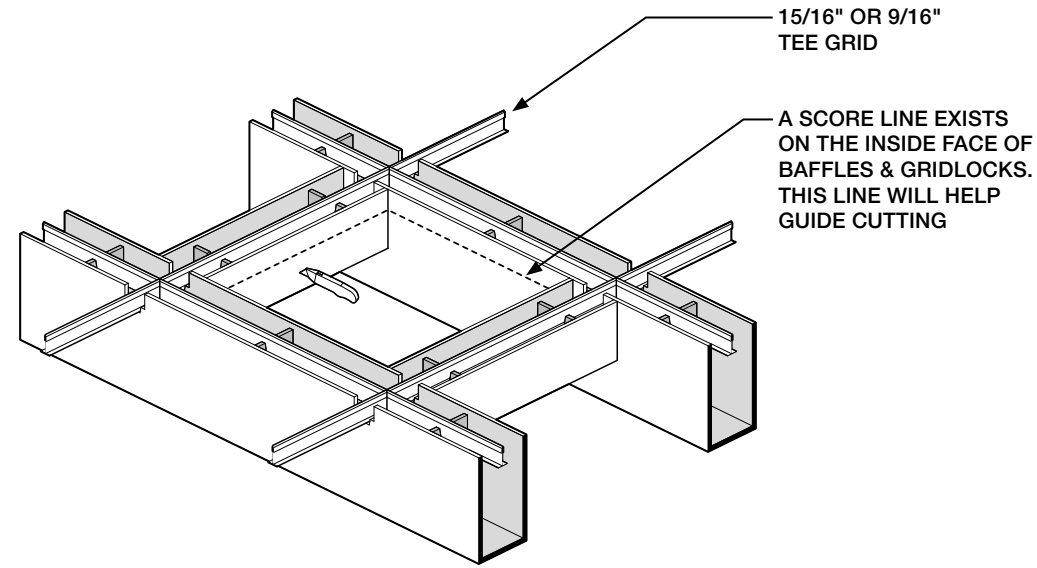


STRAIGHT EDGE

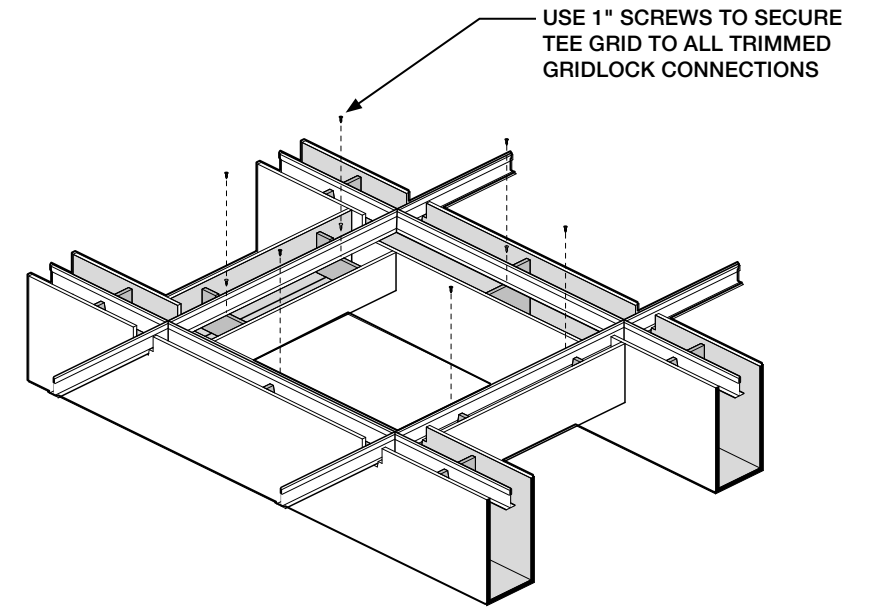


DRILL

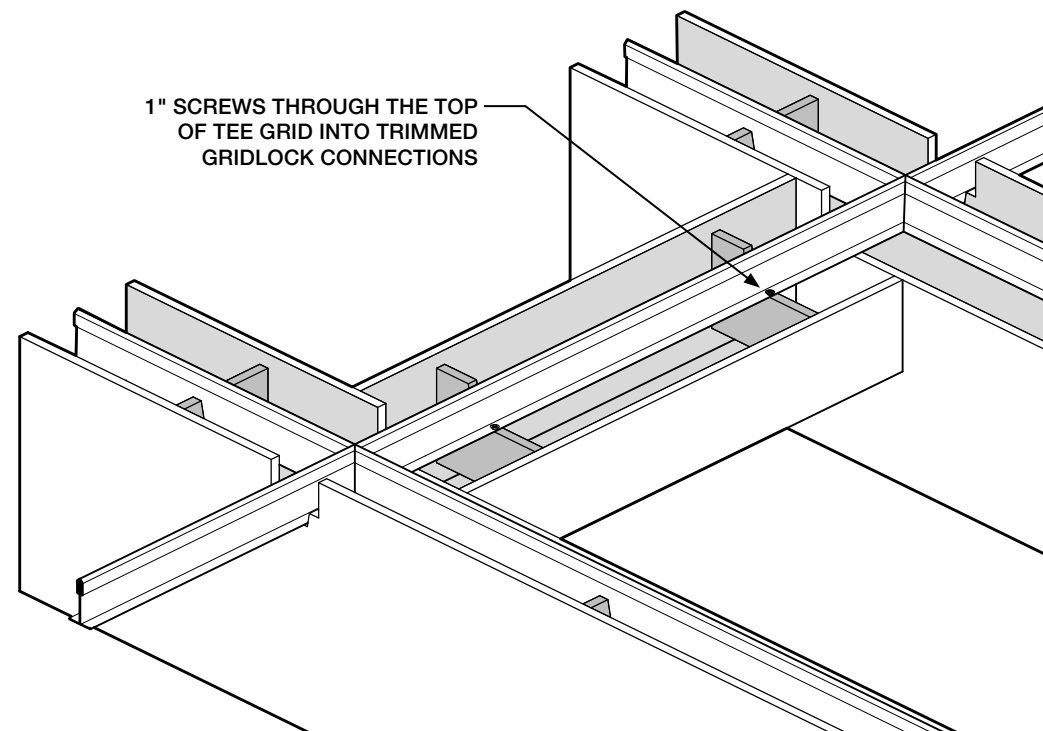
### 1 - TRIM BAFFLES & GRIDLOCKS TO BOTTOM OF TEE GRID



### 2 - USE 1" SCREWS TO ATTACH TEE GRID TO CUT GRIDLOCK



### 3 - ZOOM IN DETAIL



### 4 - INSTALL FIXTURE AS REQUIRED

