

Ceiling Scape

Megalith

Monumental calm from above

Decibels down, aesthetics up. Simple rectangular scapes extend the Monolith design language to the ceiling, delivering effective sound absorption across large interiors. Defined geometry establishes visual continuity overhead while optimizing acoustic environments below.



Image by Blaque Studio

How To Specify

Key Information

Megalith elevates interior environments in a variety of ways. Consider these questions as you design your layout.

If shop drawings are required for your project, please follow steps 1 - 6.

Fast Track

If you're looking to expedite your project, this product is available as Turf Fast Track!

Using Fast Track, our standard lead time for shop drawings is eliminated allowing the project to move directly into production.

Please note, installation and layout drawings are not included in this process.

Turf recommends an additional 10-15% additional panels to cover overage / attic stock.

Wood Textures, Stone Textures & Graphic Print

Projects specifying Megalith with Wood Textures, Stone Textures, or Graphic Print finishes are not eligible for Fast Track.

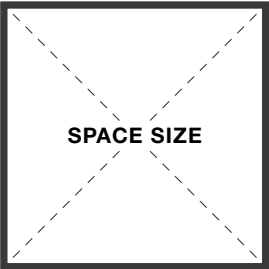
Megalith & Monolith

Projects coordinating a Megalith & Monolith ceiling-to-wall transition are recommended to go through the Turf shops process.

Megalith Border

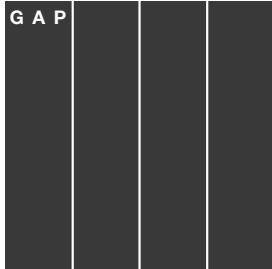
Megalith borders are not available as a Fast Track option. See "Installation Guide" page for details.

1



What are the dimensions of your space?

2

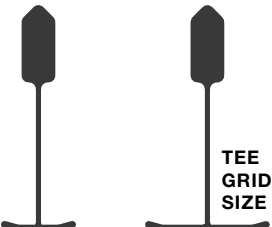


Do you want a gap between panels?

*9mm gap matches Monolith panels

PAGE 3

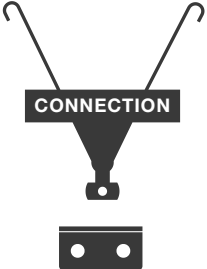
3



What size of the flat tee grid are you using, 9/16" or 15/16"?

PAGE 3

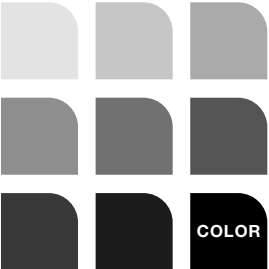
4



How will the panels mount to the ceiling?

PAGE 4-5


5



What is the color, grain or texture?

PAGE 16-19

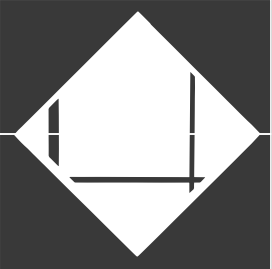
6



If using Wood or Stone Textures, are you looking for Book, Slip, Reverse Slip, Aesthetic or Continuous layout?

PAGE 7-11

7



If using Graphic Print, What art do you want printed?

PAGE 12

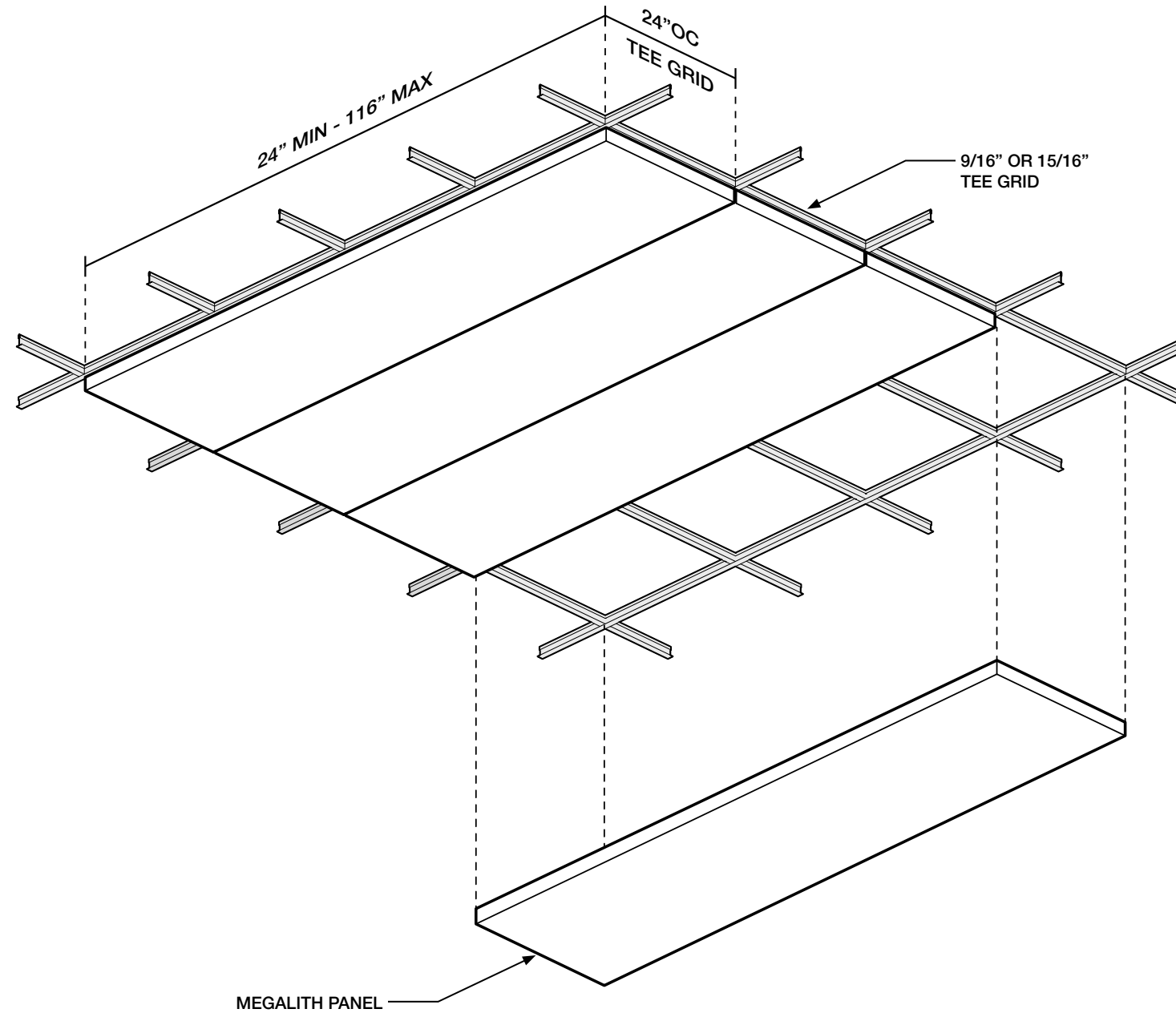


1. What size panels do you need?
2. Do you want a gap between panels?
3. 9/16" or 15/16" flat tee grid?
4. Do you need magnet or torsion spring connection?
5. What color are the panels?
6. How many panels do you need?
7. Do you want to include any additional product for overage?

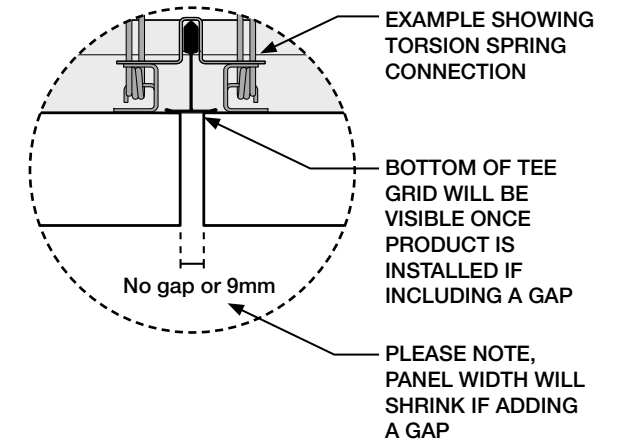


Dimensions

Standard Panel Size	24"W x 2"D
Variable Width	12"W Min - 24"W Max
Variable Length	24"L Min - 116"L Max
Panel Gap	No gap or 9mm
	Please note, panel width will shrink if adding a gap.
	9mm gaps coordinate with our Monolith wall panels.
Layout Types	<ul style="list-style-type: none"> Book Match Slip Match Reverse Slip Match Aesthetic Match Continuous Match Graphic Print <p>See "Layout Type" pages for more information.</p>



PANEL JOINT DETAIL



Connection

9/16" or 15/16" Flat Tee Grid	<ul style="list-style-type: none"> Magnet Torsion Spring <p>See "Connections" page for more details.</p>
-------------------------------	--

Color

9mm Palette + Wood & Stone Textures	Megalith can be specified in any of our 9mm felt colors or Textures. Please note, Wood Grains do not coordinate with the various Layout Types.
Graphic Print	UV ink creates colorful possibilities for Turf's felt. The acoustic performance isn't affected by printing.

ALL DIMENSIONS NOMINAL UNLESS NOTED OTHERWISE



Panel Details

Design

Megalith can be installed below existing ceilings to enhance interior environments while improving acoustic performance. Wood Grains, Wood Textures, Stone Textures, and Graphic Print finishes are available.

Panel Depth

Panels feature a flat front face and a 2" depth.

Portions of the panel are fully enclosed, while other areas are only as thick as the material.

Please see "Back of Panel" and "Panel Section" drawings for more information.

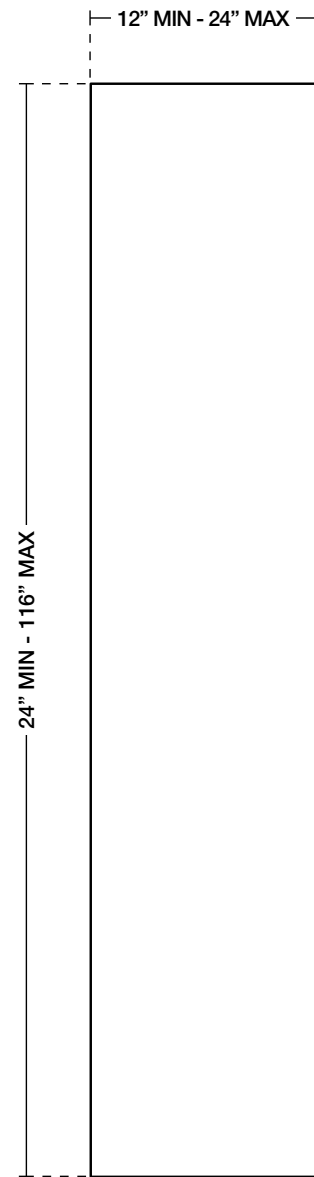
Connection

Megalith can be specified with either Magnets or Torsion Springs.

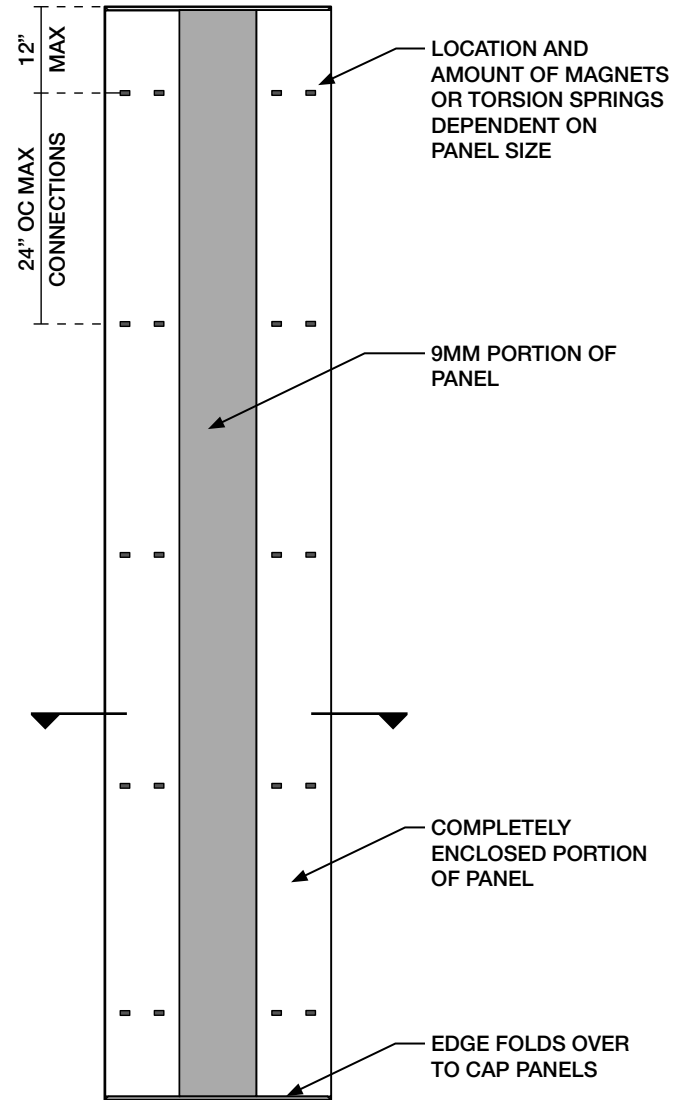
When Magnets are used, the total panel depth below the tee grid is 2.375".

See "Connections" page for more details.

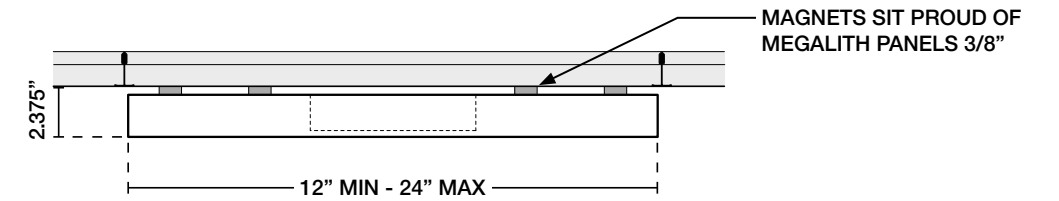
FRONT OF PANEL



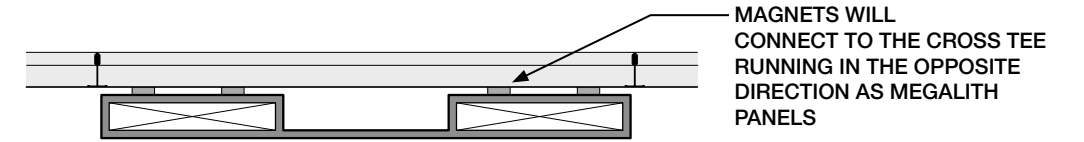
BACK OF PANEL



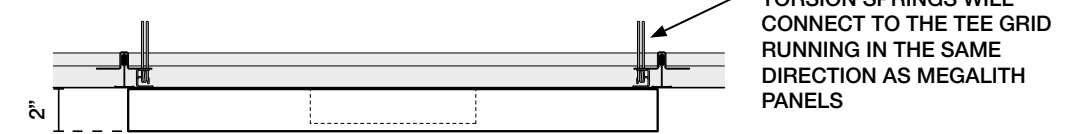
MAGNET - PANEL END



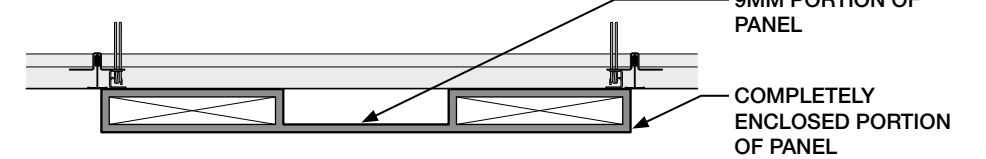
MAGNET - PANEL SECTION



TORSION SPRING - PANEL END



TORSION SPRING - PANEL SECTION



Connections

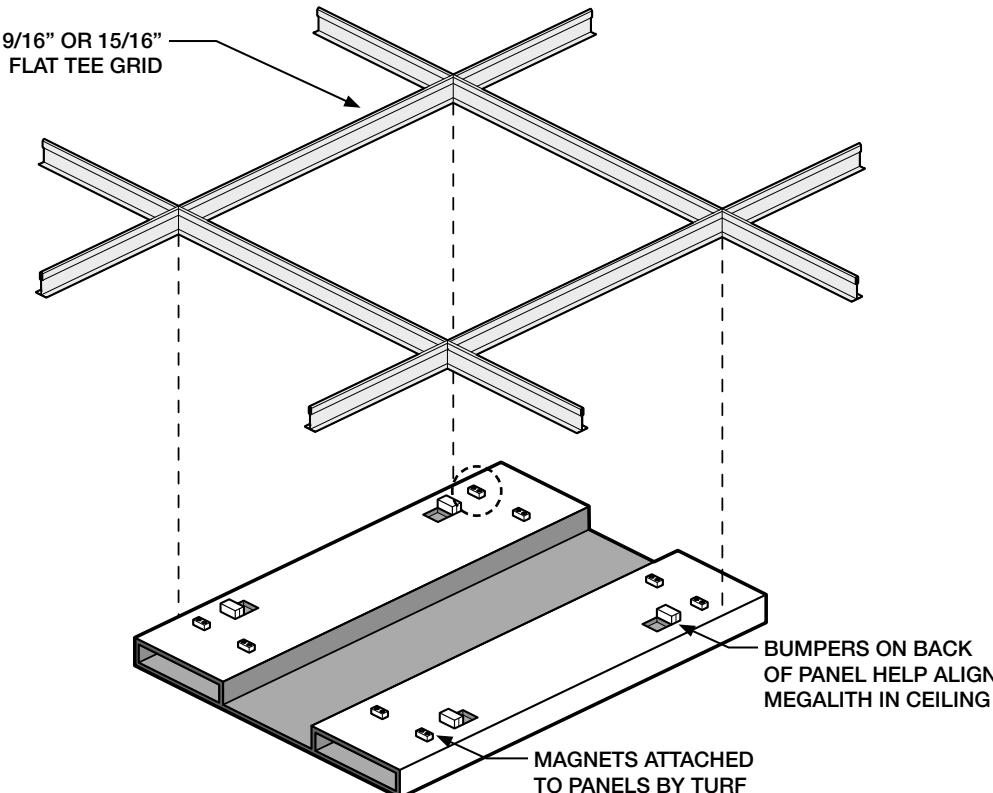
9/16" or 15/16" Tee Grid

Magnet
Torsion Spring

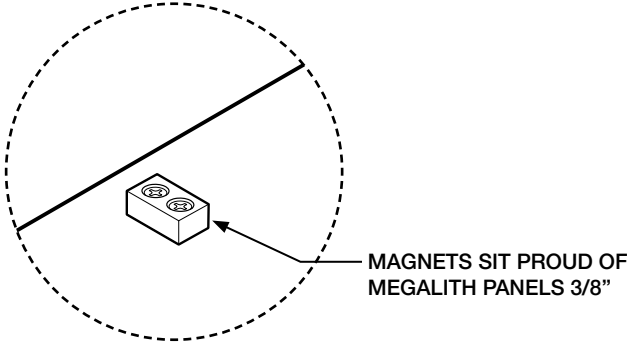
Seismic Connection

If your project is located in a seismic zone, use our Torsion Spring connection.

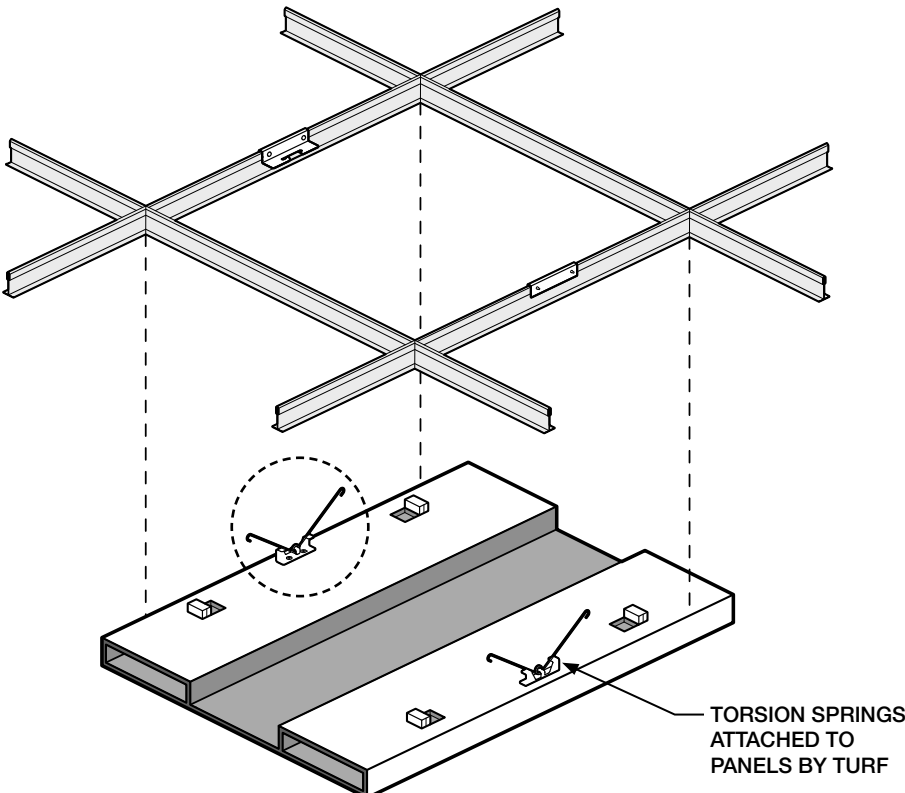
MAGNET - EXAMPLE SECTION



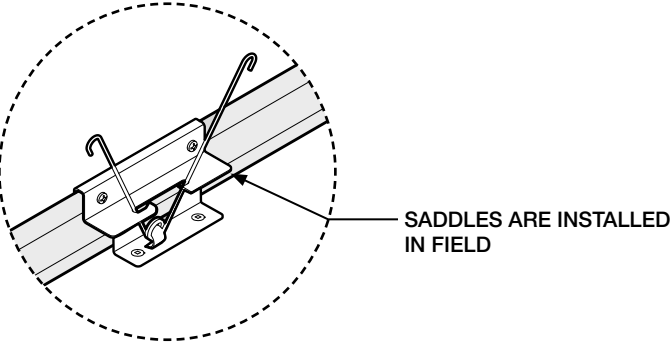
MAGNET



TORSION SPRING - EXAMPLE SECTION



TORSION SPRING LOCKED IN PLACE



Megalith + Monolith Coordination

Ceiling-to-Wall Megalith is designed to coordinate with the Monolith wall scape system. Together, the two products create a seamless ceiling-to-wall transition.

Layout Considerations For a more seamless transition, Turf recommends allowing Monolith wall panels to extend behind the Megalith ceiling panels.

See "Ceiling-To-Wall Detail" for a few things to keep in mind.

Reveal Strip Coordination Tee grid will be visible from directly below, if including a gap between Megalith panels to coordinate with Monolith reveal strips.

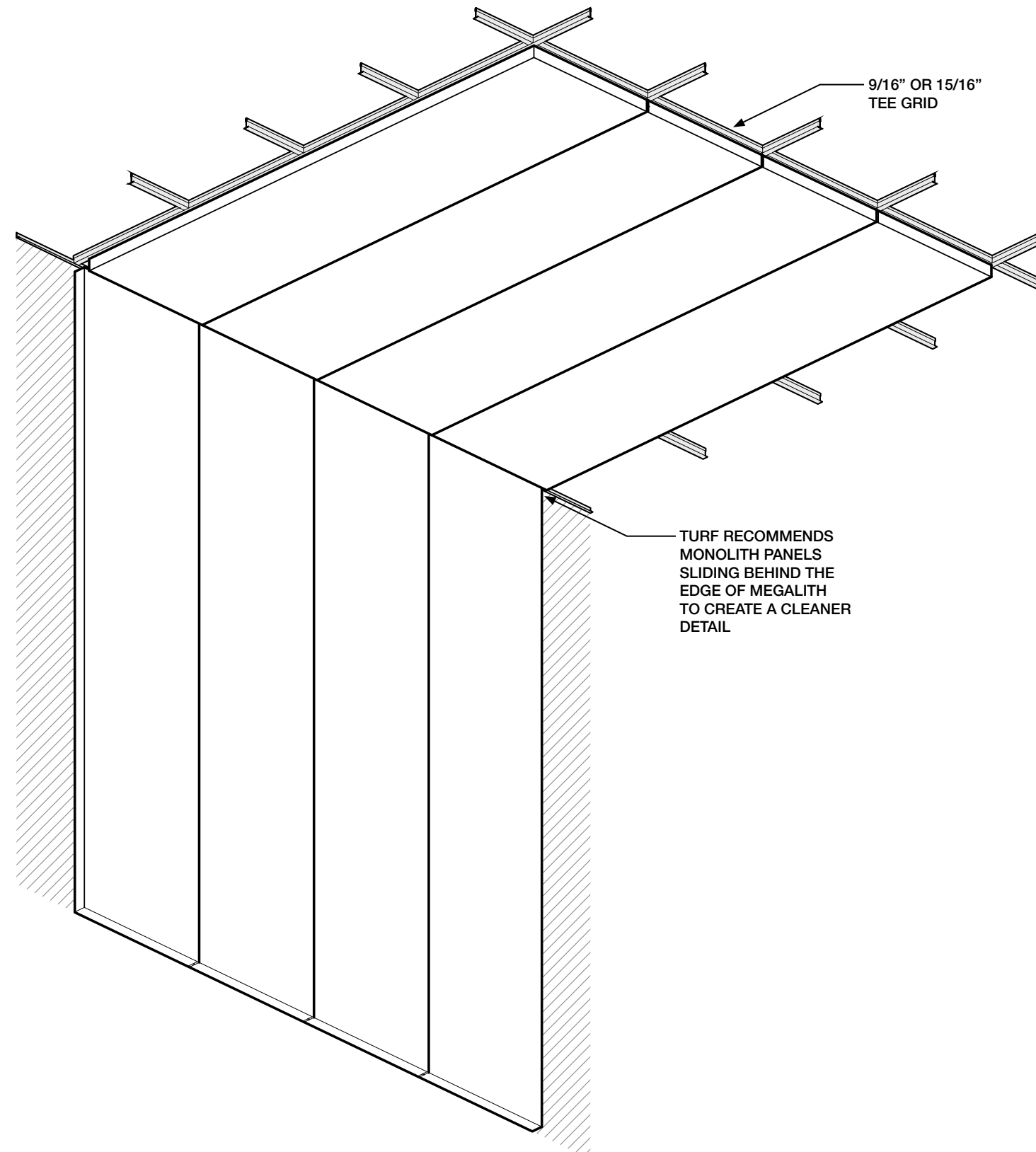
Monolith reveal strips can be specified in 07 Black to match black tee grid.

Consider coordinating the color of your tee grid to match the reveal strips as an alternate option.

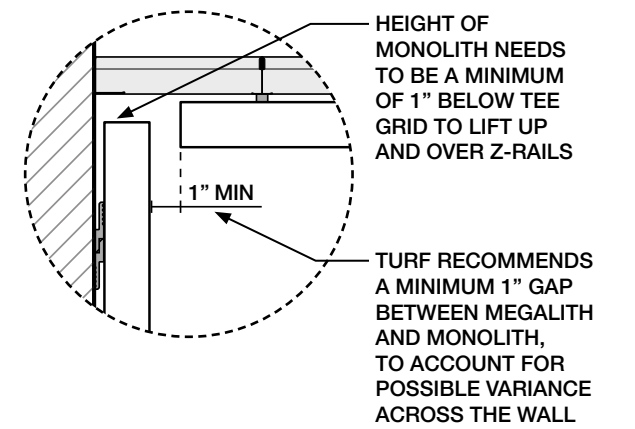
Seamless Textures Stone or Wood Textures can flow seamlessly across the ceiling-to-wall transition, creating a unified visual impact.

Monolith Follow the link for more detailed information about Turf's Monolith product and installation.

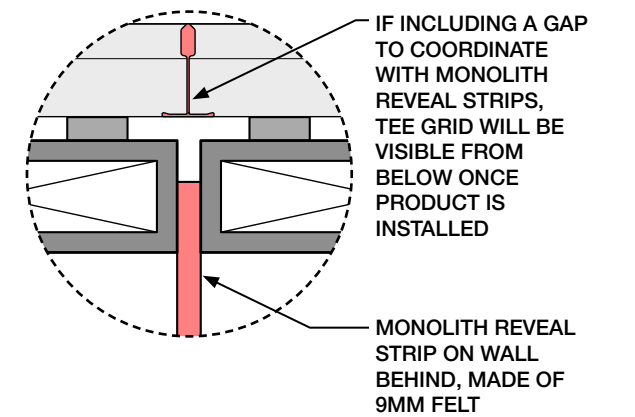
CEILING-TO-WALL TRANSITION EXAMPLE



CEILING-TO-WALL DETAIL



REVEAL STRIP COORDINATION

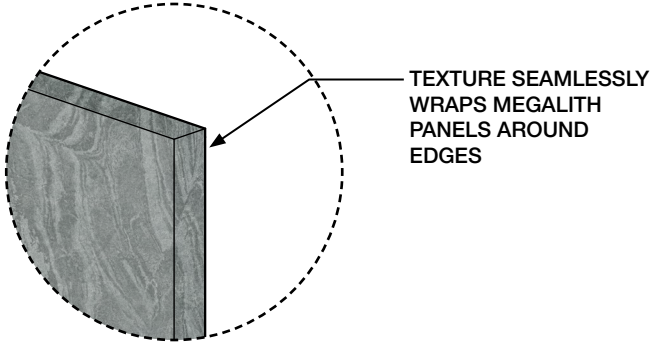


TEXTURE COORDINATION



Texture Layout Type - Book Match

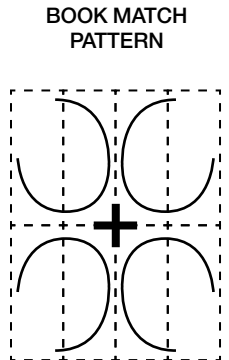
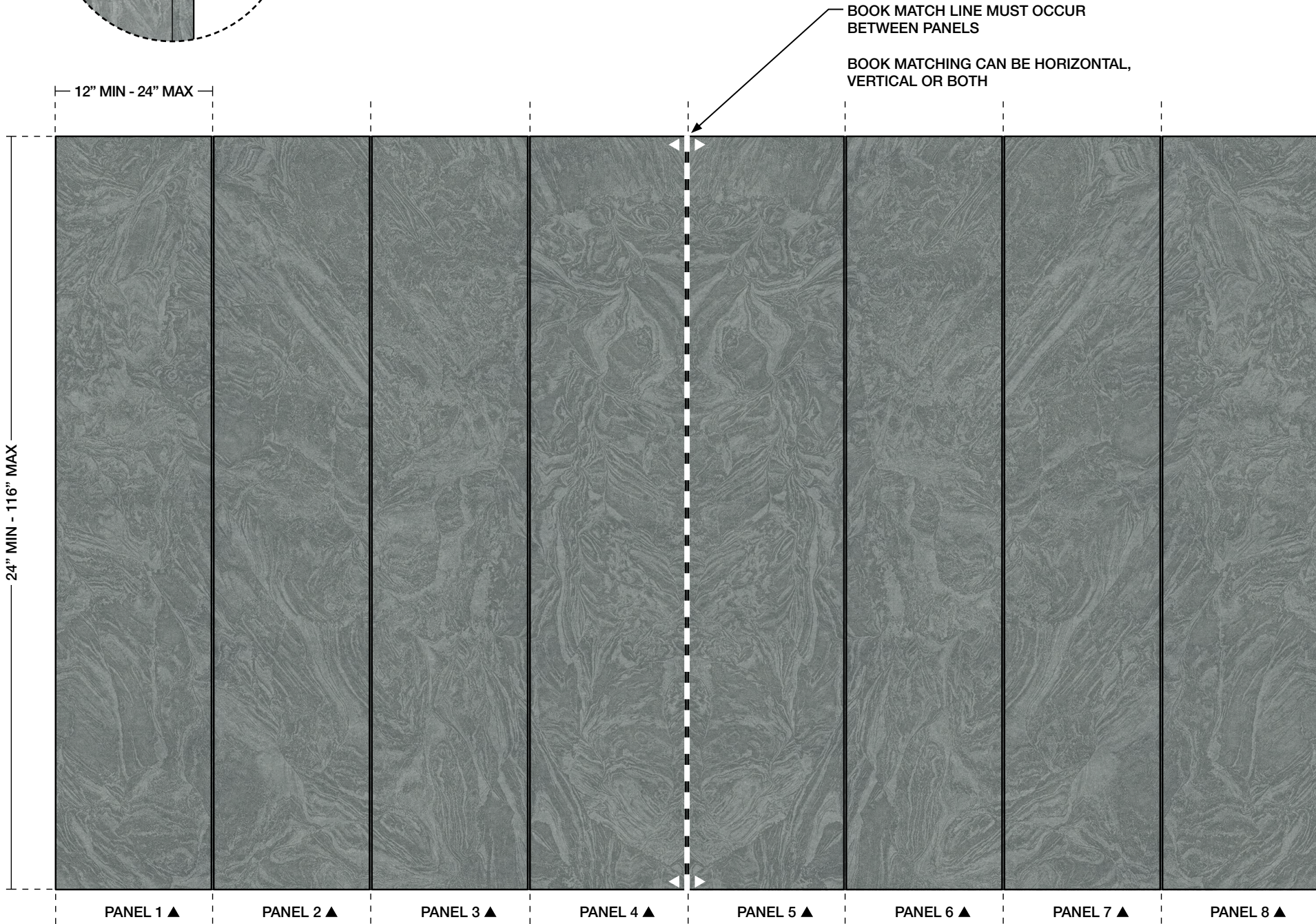
Description
 Book matching allows the texture to flow from panel to panel & mirror at any edge along the layout. Panels can be book matched along vertical and horizontal axes, creating a seamless pattern.



Book Match Considerations
 The book match line must occur between panels, and can be placed at any panel edge along the wall.

Megalith can be book matched in the middle of your layout, or anywhere in between to create something unique.

Example Shown
 This Layout Type is available in all Wood & Stone Texture options, the example shown uses ST11 Granite.
 See the "9mm Wood Textures" and the "9mm Stone Textures" pages for more details.



BOOK MATCH EXAMPLE

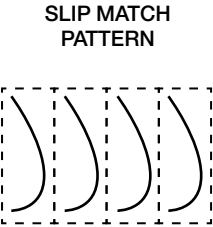
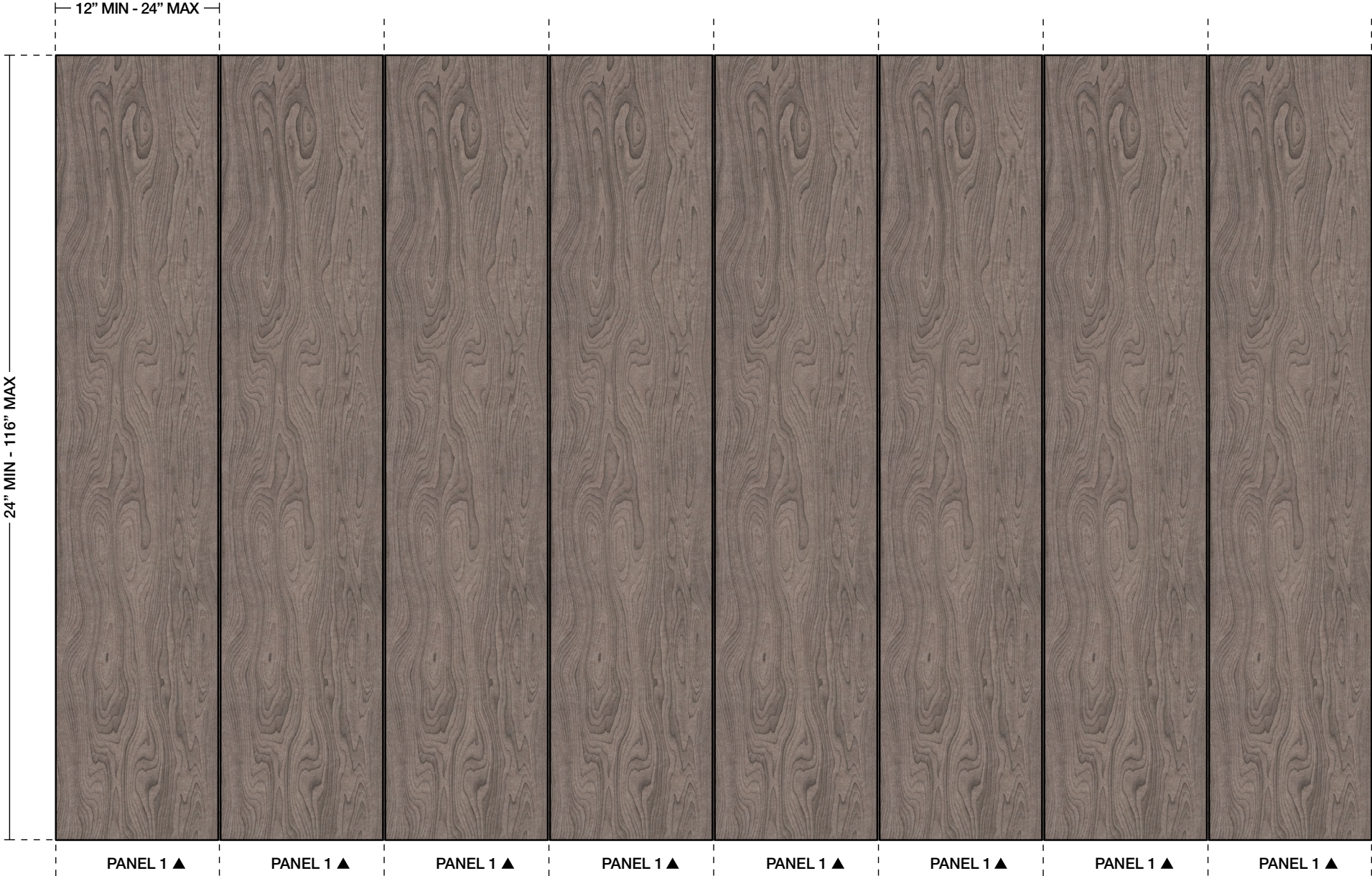


Texture Layout Type - Slip Match

Description Slip matching creates a stamped look by using a single panel in the same orientation.

Example Shown This Layout Type is available in all Wood & Stone Texture options, the example shown uses WT34 Flat.

See the "9mm Wood Textures" and the "9mm Stone Textures" pages for more details.



SLIP MATCH EXAMPLE

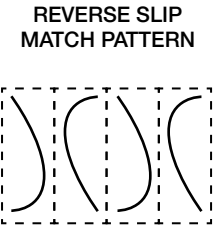


Texture Layout Type - Reverse Slip Match

Description Reverse slip matching creates an alternating stamped look by reversing the orientation of a single panel.

Example Shown This Layout Type is available in all Wood & Stone Texture options, the example shown uses ST83 Travertine.

See the "9mm Wood Textures" and the "9mm Stone Textures" pages for more details.



REVERSE SLIP MATCH EXAMPLE

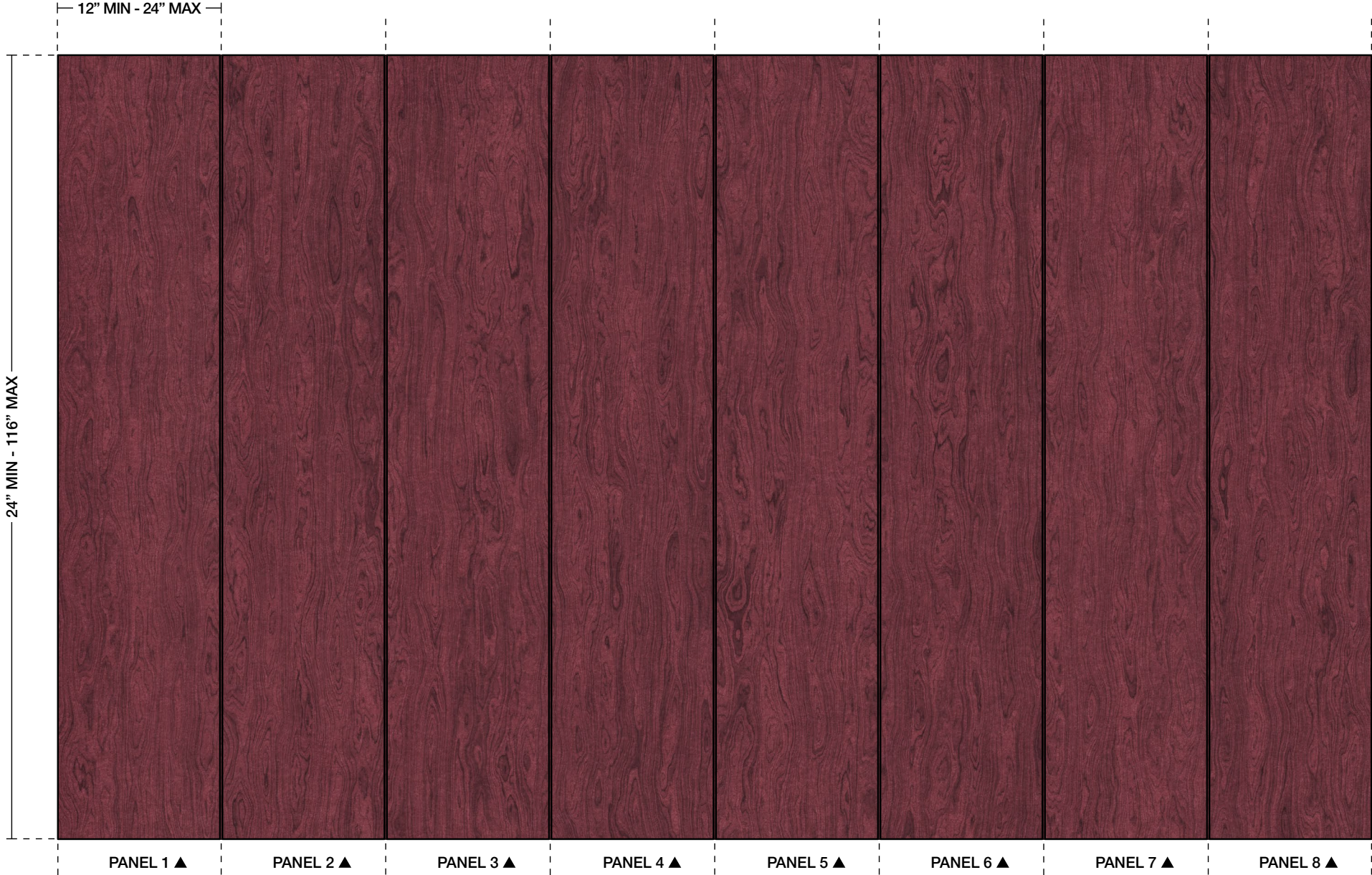


Texture Layout Type - Aesthetic Match

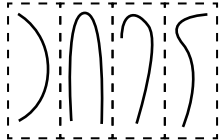
Description Aesthetic matching creates a varied look by using the same texture in different locations and orientations.

Example Shown This Layout Type is available in all Wood & Stone Texture options, the example shown uses WT15 Rotary.

See the "9mm Wood Textures" and the "9mm Stone Textures" pages for more details.



AESTHETIC MATCH PATTERN



AESTHETIC MATCH EXAMPLE

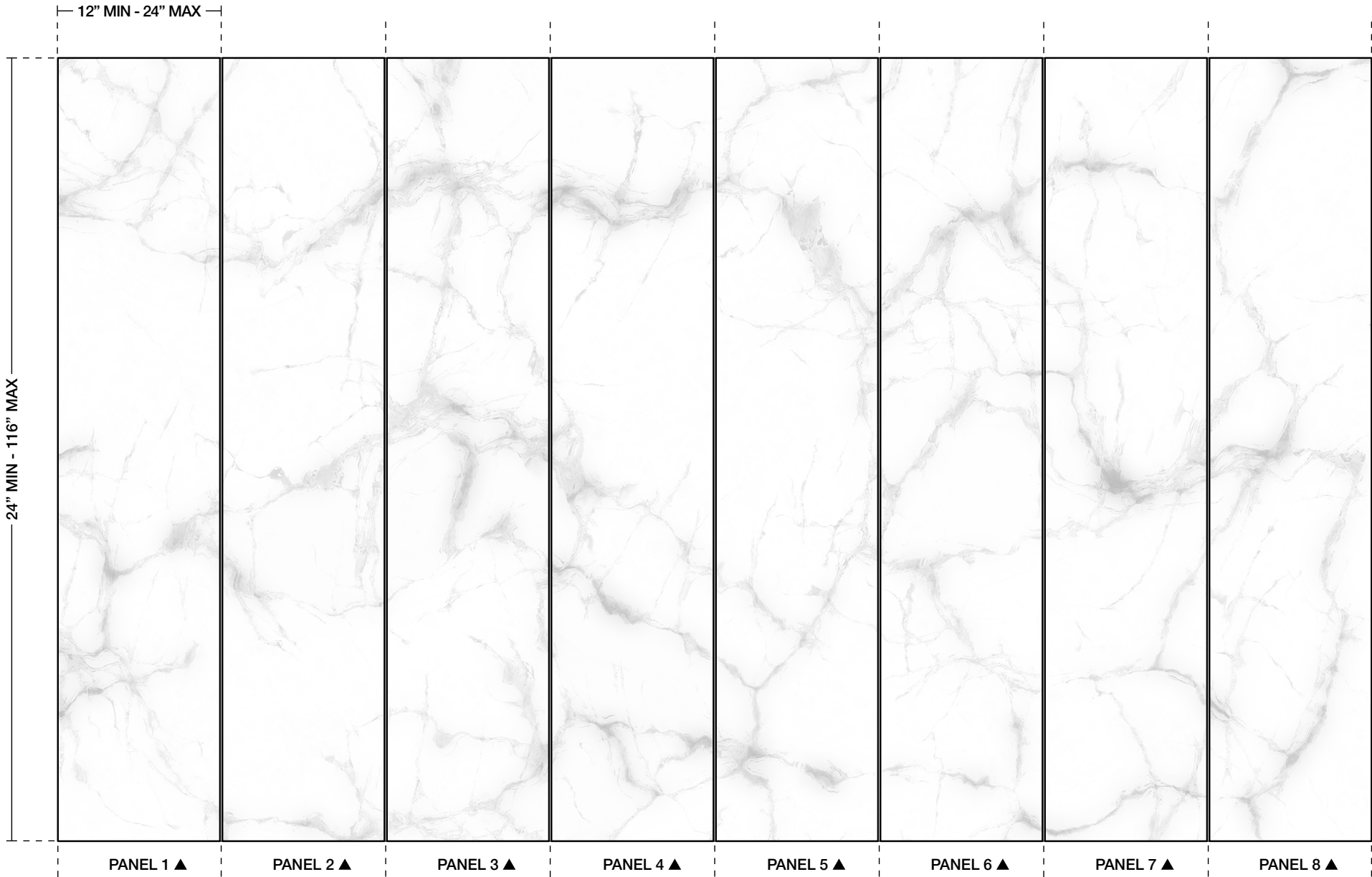


Texture Layout Type - Continuous Match

Description Continuous matching creates a look that seamlessly flows across all panels in your space.

Example Shown This Layout Type is available in all Wood & Stone Texture options, the example shown uses ST05 Marble.

See the "9mm Wood Textures" and the "9mm Stone Textures" pages for more details.



CONTINUOUS MATCH EXAMPLE



Layout Type - Graphic Print

Artwork Specifications

Print ready artwork must be provided in a vector file format (either AI or EPS) or high-resolution (300dpi) raster file. The files should be in a CMYK format.

Colors must be specified in CMYK, Pantone Uncoated, or by physical sample.

If the artwork is printed on a colored substrate, details will need to be outlined. Keep in mind that the print on each panel will wrap around the edge.

Proportion

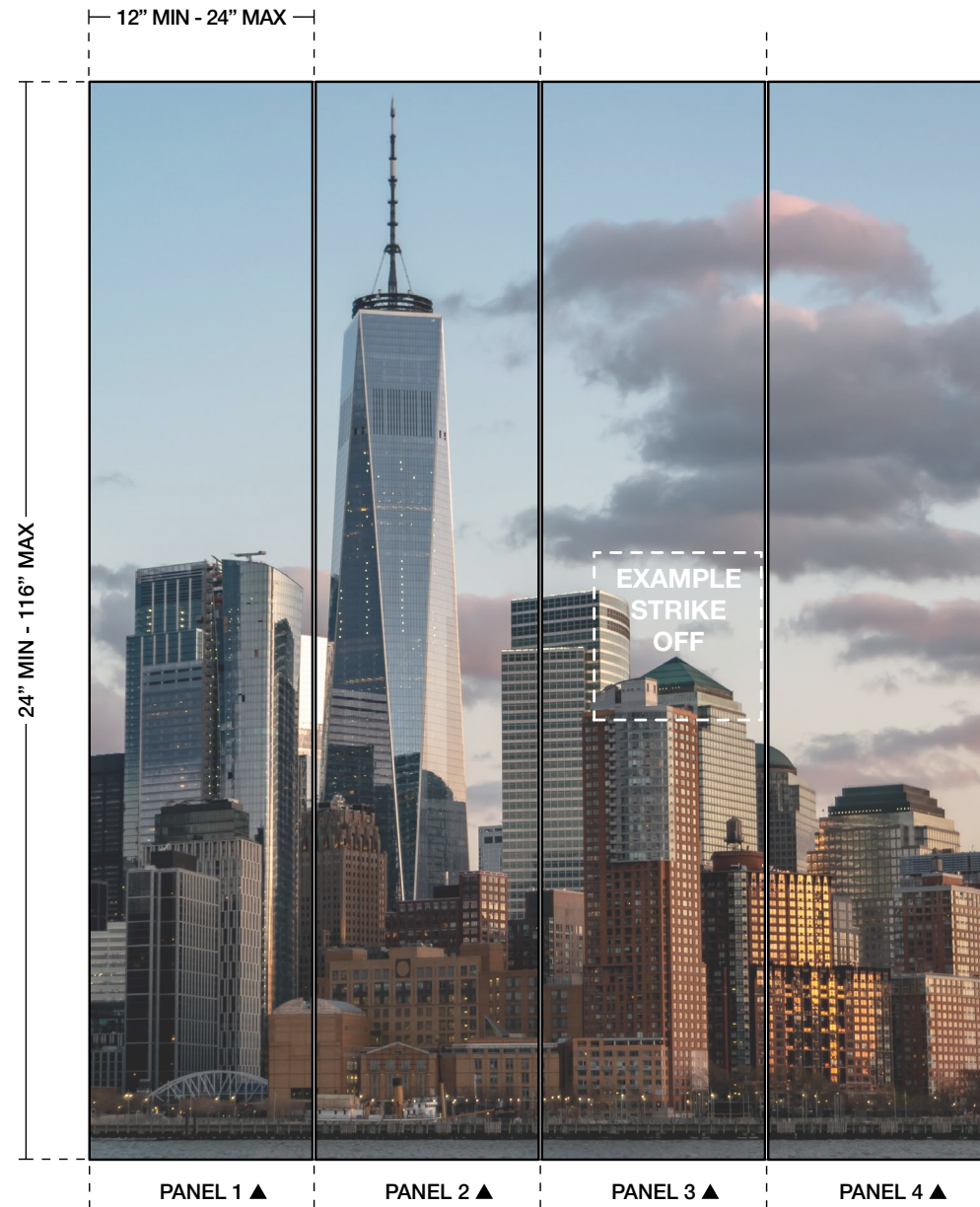
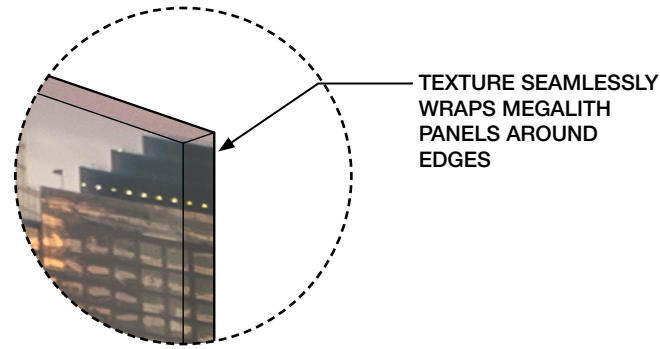
To avoid cropping, please provide artwork with matching proportions to your desired space.

Strike Offs

An 18"W x 18"L strike off will be provided for client approval.

Cleaning Guide

Refer to the Turf website for product cleaning guidelines.



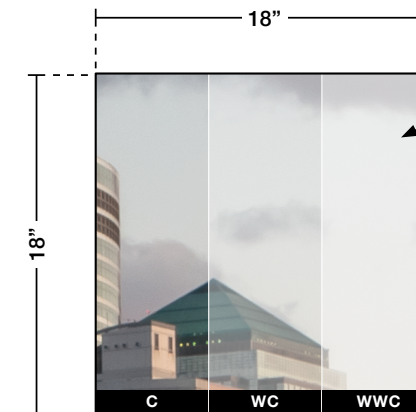
EXAMPLE GRAPHIC PRINT

EXAMPLE CLIENT PROVIDED ARTWORK



ARTWORK MUST BE A VECTOR FILE (AI OR EPS) OR A HIGH-RESOLUTION (300 DPI) RASTER IMAGE

EXAMPLE STRIKE OFF



STRIKE OFF WILL SHOW THREE COLOR OPTIONS
 PRINT ONLY (C)
 1 WHITE FLOOD (WC)
 2 WHITE FLOOD (WWC)

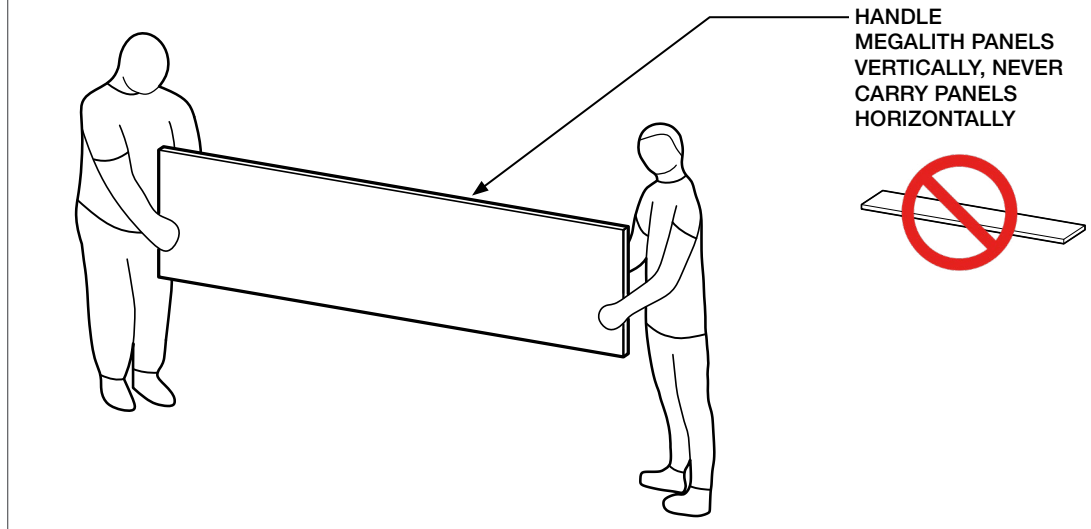
ALL DIMENSIONS NOMINAL UNLESS NOTED OTHERWISE



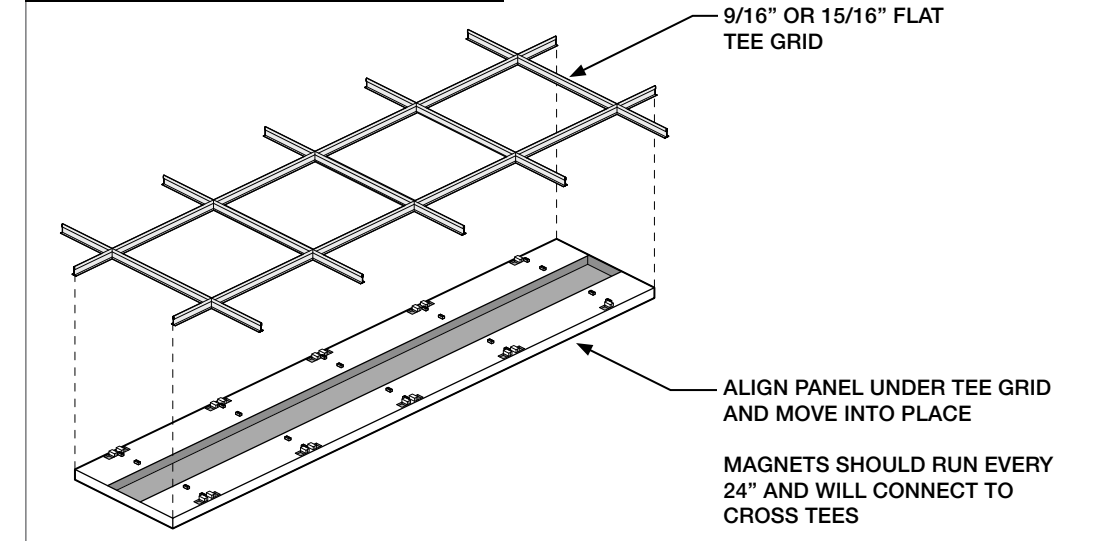
Installation Guide

Megalith panels are designed for quick and easy installation onto the ceiling — just follow this simple guide.

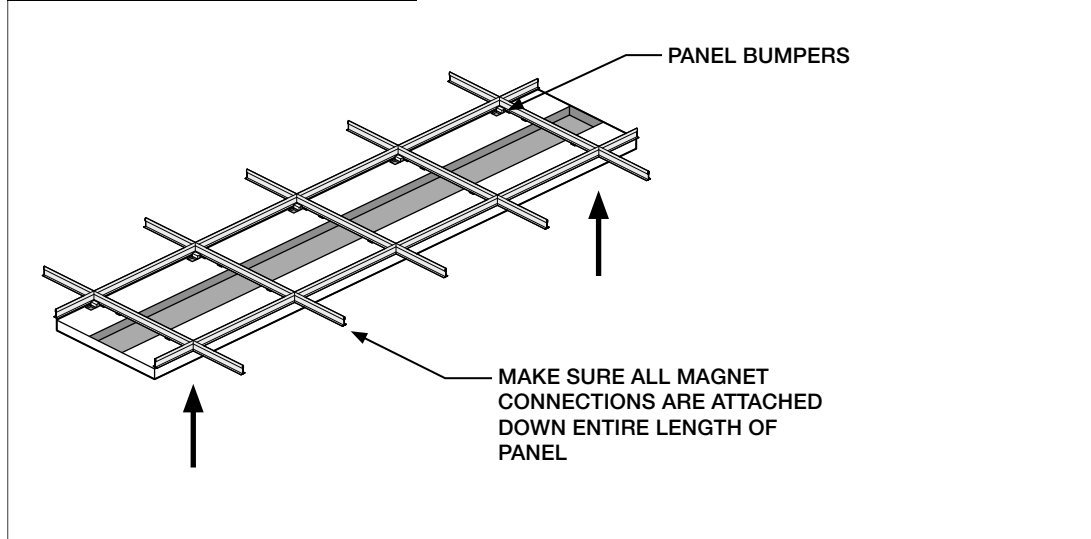
1 - HANDLING PANELS



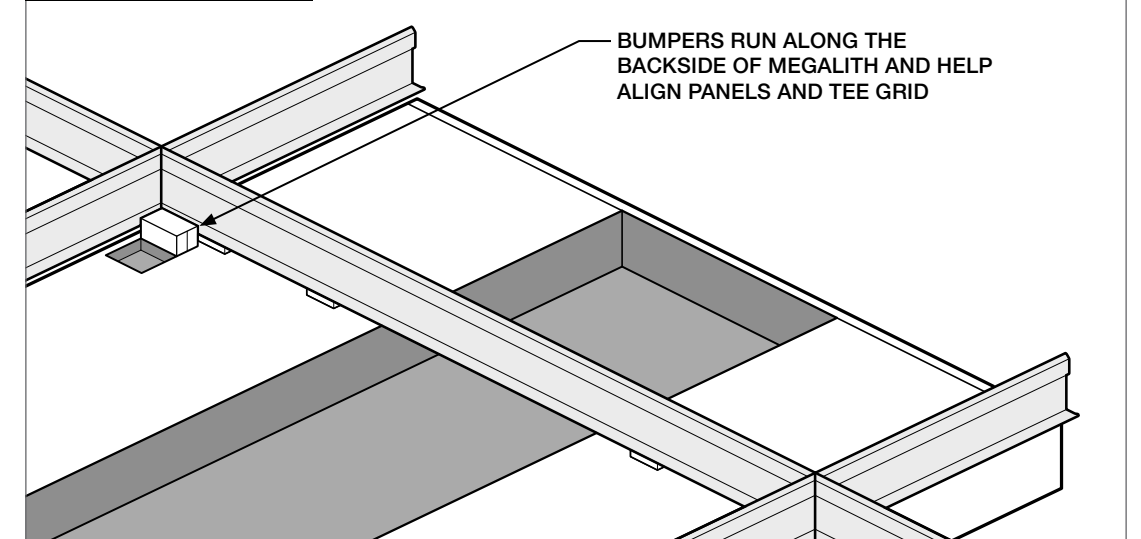
2 - ALIGN PANEL UNDER TEE GRID



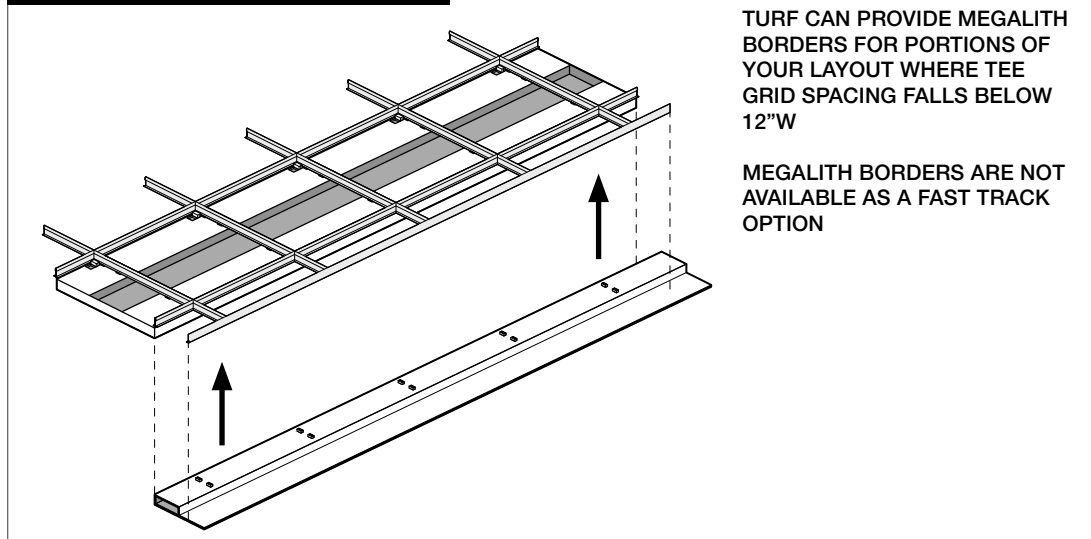
3 - ATTACH MEGALITH PANEL



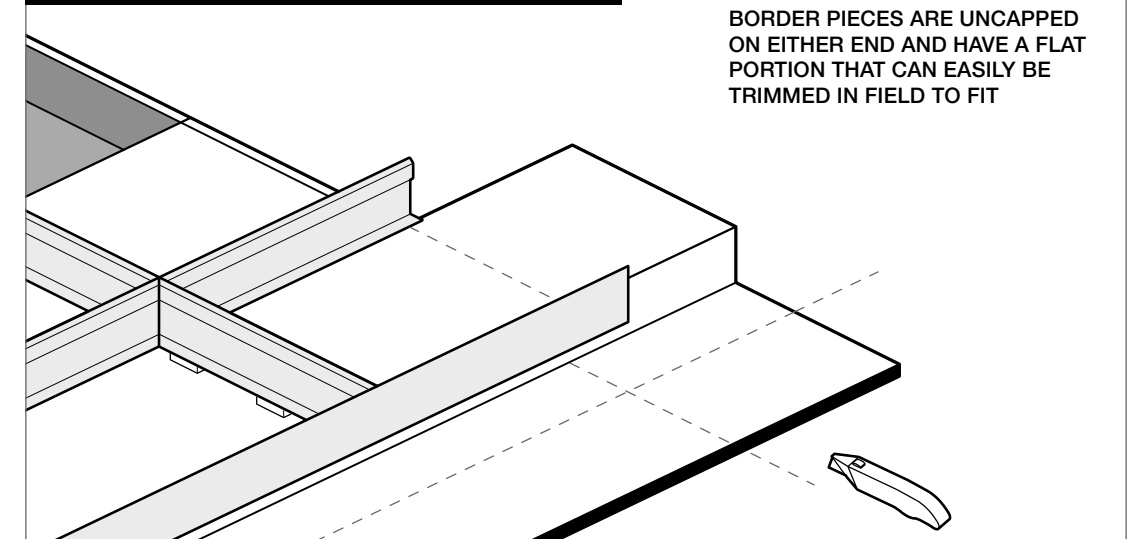
4 - PANEL BUMPERS



5 - INSTALL MEGALITH BORDER



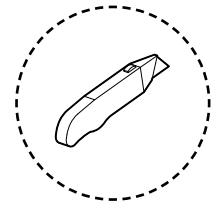
6 - TRIM MEGALITH BORDER AS REQUIRED



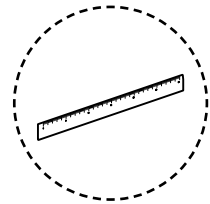
Trim Guide

Megalith panels are designed with field adjustments in mind — just follow this simple guide.

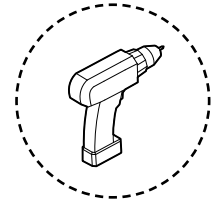
Tools Required



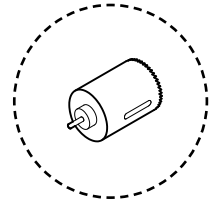
SHARP BLADE



STRAIGHT
EDGE

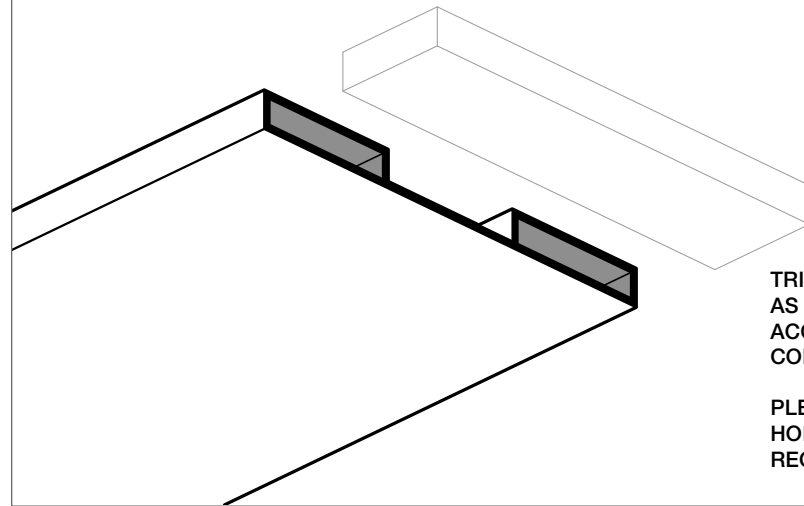


DRILL



HOLE SAW

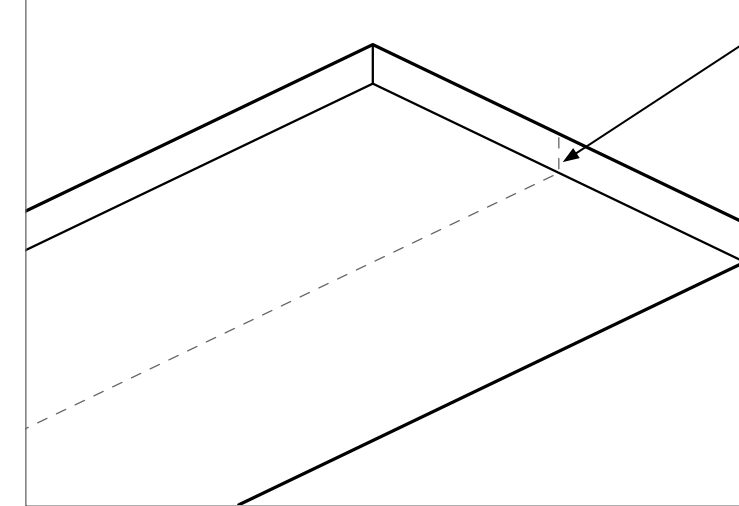
1 - TRIM PANEL HORIZONTALLY AS REQUIRED



TRIM PANEL HORIZONTALLY
AS REQUIRED TO
ACCOMMODATE FIELD
CONDITIONS

PLEASE NOTE, PANELS ARE
HOLLOW AND CANNOT BE
RECAPPED ONCE TRIMMED

2 - DO NOT TRIM VERTICALLY ALONG PANEL

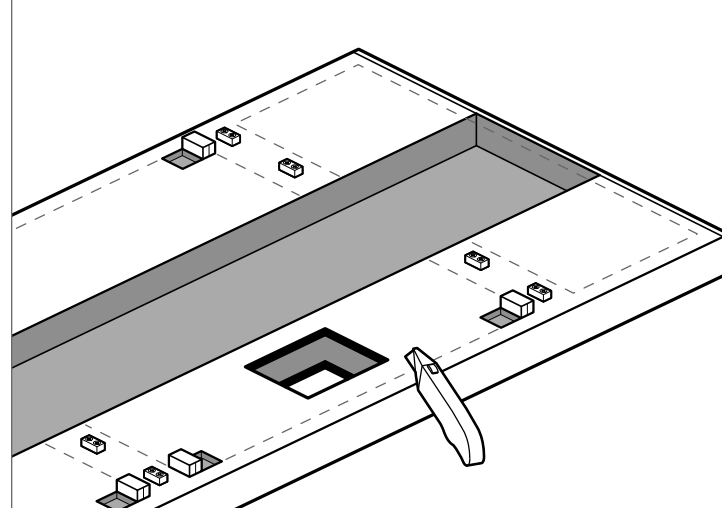


WARNING
DO NOT TRIM
VERTICALLY THROUGH
THE PANEL

TRIMMING VERTICALLY
WILL COMPROMISE
PANEL STABILITY



3 - CUTTING HOLES FOR FIXTURES & EQUIPMENT



PANELS CAN BE CUT TO
ACCOMMODATE FIXTURES &
EQUIPMENT, AVOID CUTTING
WITH 1" OF CONNECTIONS
AND PANEL EDGE

TO CUT CIRCULAR HOLES,
TURF RECOMMENDS USING
A HOLE SAW IN REVERSE
FOR A CLEANER EDGE

Tech

Acoustics	ASTM C423-17: Type A Mounting
Fire Rating	ASTM E-84 – Class A
VOC	ASTM D5116 Compliant

Acoustic Rating

NRC = 0.85

The rating above describes an array of Monolith panels. Final Megalith results coming Q2 2026.

Details

Lead Time	Check the Turf website for current lead times.
Warranty	Five (5) years
Maintenance	Vacuum to remove any particulate matter and air-borne debris or dust. Compressed air can be used to dust the material in difficult to reach areas for large assemblies. Contact us for more information relative to spot cleaning.
Weight	Turf products cannot support the weight of any other items in field.
Trademarks	Turf®, FeltLock™, GridLock™, T™ are trademarks of Turf Design, Inc. and/or its affiliates © 2025 Turf Design Inc. Printed in the United States of America

Certifications

Declare.



Image by Blaque Studio



Photo by Kendall McCaugherty, Hall+Merrick+McCaugherty

9mm Colors

Introducing Hues, our new 9mm color palette designed for the senses.

The 9mm PET felt board is used as our primary construction material. Select one of our coordinating neutrals to blend in, or go for a contrasting element with one of our hues.

The process used to create PET felt often results in a heathered effect where multiple tones are present. Slight variations in color should be expected when using this sustainable material.

Felt Thickness
9mm +/-0.5 mm

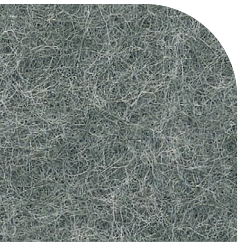
Monitors and printers vary. Please request a material sample to verify felt colors.



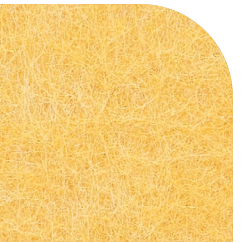
10 TOPO GREEN



12 GRASSHOPPER



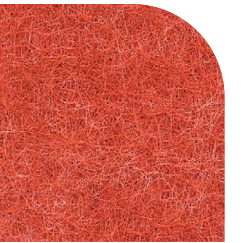
11 CELADON



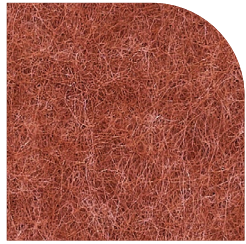
63 SAFFLOWER



64 PLANTAIN



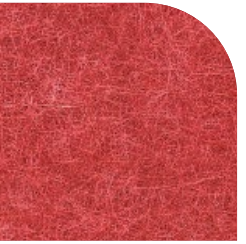
43 ORANGE CRUSH



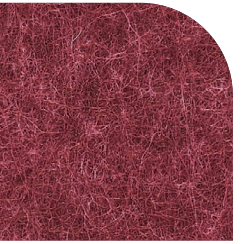
18 ULTISOL



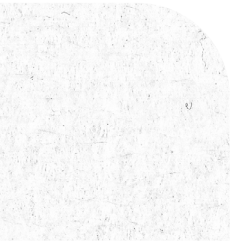
17 BLUSH



23 RED



15 MERLOT



50 IVORY



33 LUMINARY



83 HOLLAND OATS



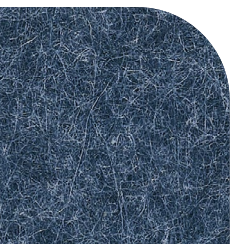
82 BARLEY



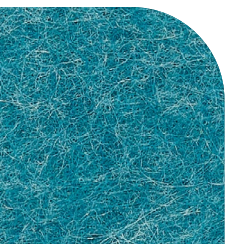
34 TONAL TAUPE



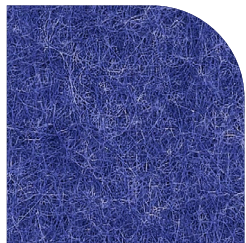
35 BARK



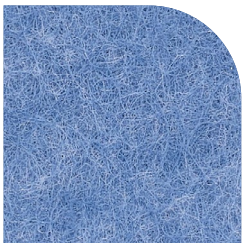
28 INDIGO



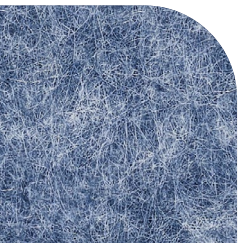
30 CYAN



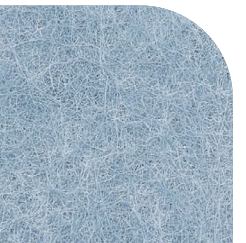
24 ROYAL BLUE



31 AZURE



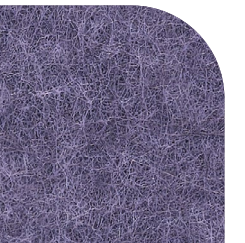
27 JEAN JACKET



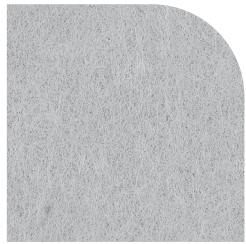
26 FADED DENIM



40 MAGENTA



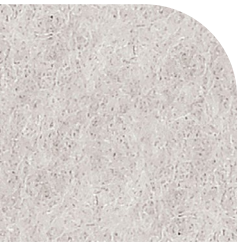
41 DRIED LAVENDER



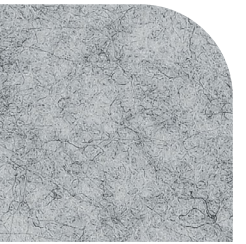
66 PEWTER



05 WHITE



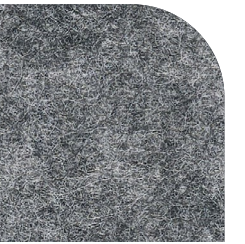
01 CREAM



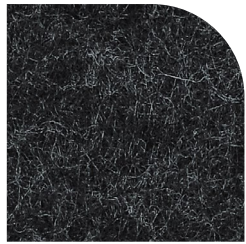
04 LIGHT GREY



98 STORM



09 DAMASCUS



06 CHARCOAL



07 BLACK



9mm Wood Grains

Invite nature into your space with our wood-inspired grains. Digital printing on felt ensures a unique and realistic grain with virtually no repeats.

There is an additional product cost for Wood Grains.

Please note there is additional lead time for custom matching. Grain customization will incur additional costs beyond our standard 9mm options.

Felt Thickness
9mm +/-0.5 mm

Monitors and printers vary.
Please request a material sample to verify felt colors.



D01 WHITE ASH



D02 SILVER TEAK



D03 CLEAR MAPLE



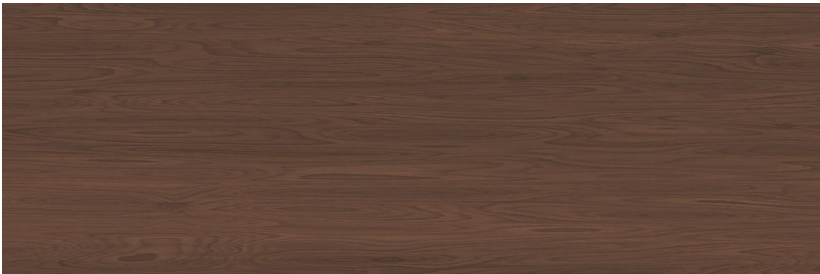
D04 WASHED ASH



D05 MEDIUM OAK



D06 PLANKED OAK



D07 DARK WALNUT



D08 BLACK PEAR

9mm Wood Textures

Designed for those who go against the grain. Our digitally printed Wood Textures are inspired by wood veneer cuts and are designed to work with all 32 of our Hues. Flat, Rift and Rotary each represent a unique aesthetic that gives you range in your designs.

There is an additional product cost for Wood Textures.

Felt Thickness
9mm +/-0.5 mm

Visualization

Our Wood Textures are available on all of our 32 Hues. Select a texture and felt color, and let Turf do the rest. Please visit the Turf website for more examples and visualizations.

turf.design/colors

07 Black is the only substrate color that uses white ink when printing the texture.

Monitors and printers vary. Please request a material sample to verify felt colors.

How To Specify

Select Color Number

Choose from the entire 9mm color line

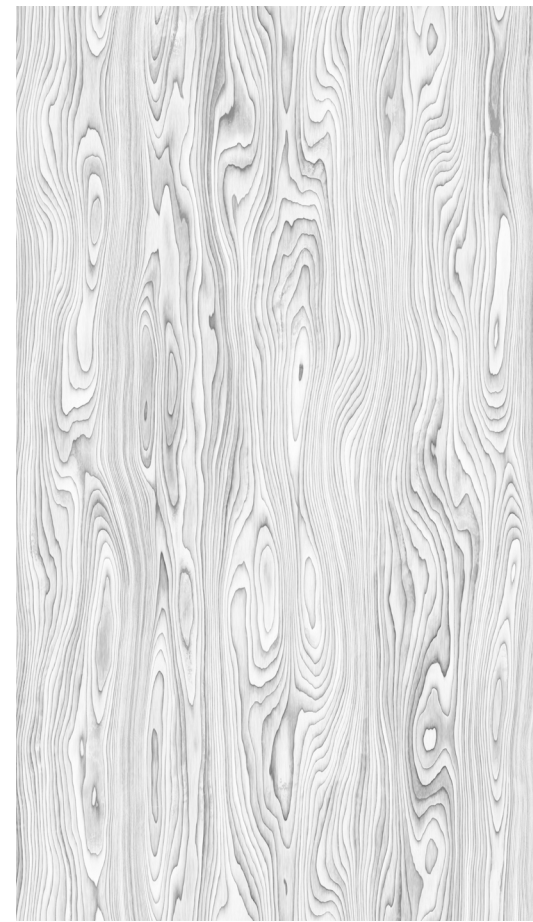
W T 0 0

Select Texture Name

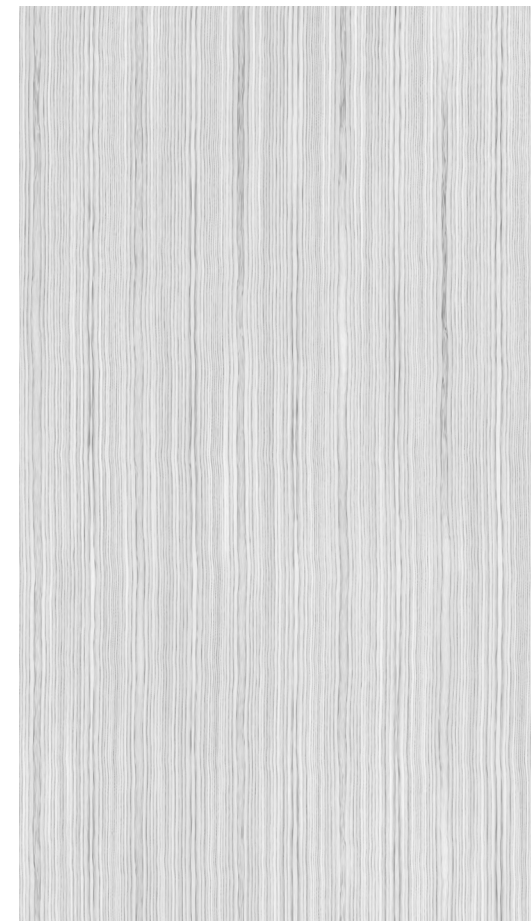
Flat
Rift
Rotary

X X X X X X

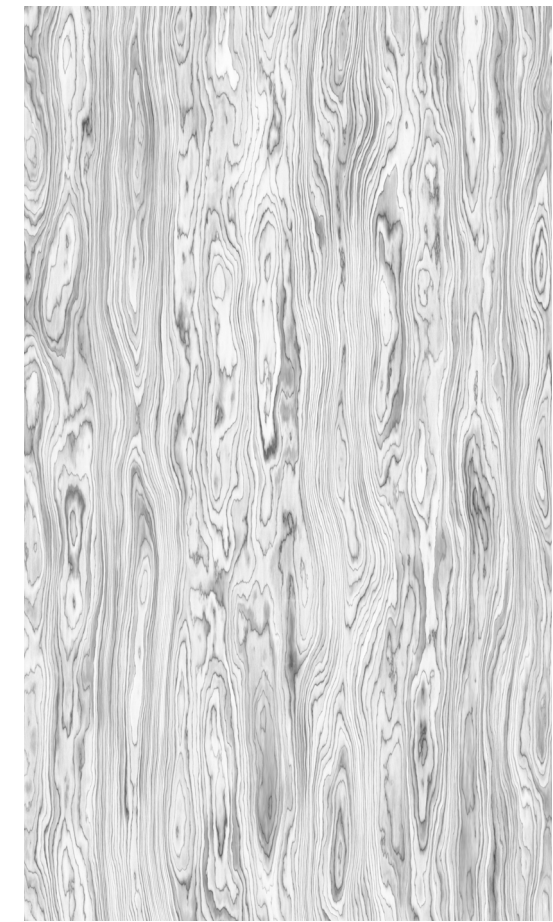
WOOD TEXTURE



FLAT

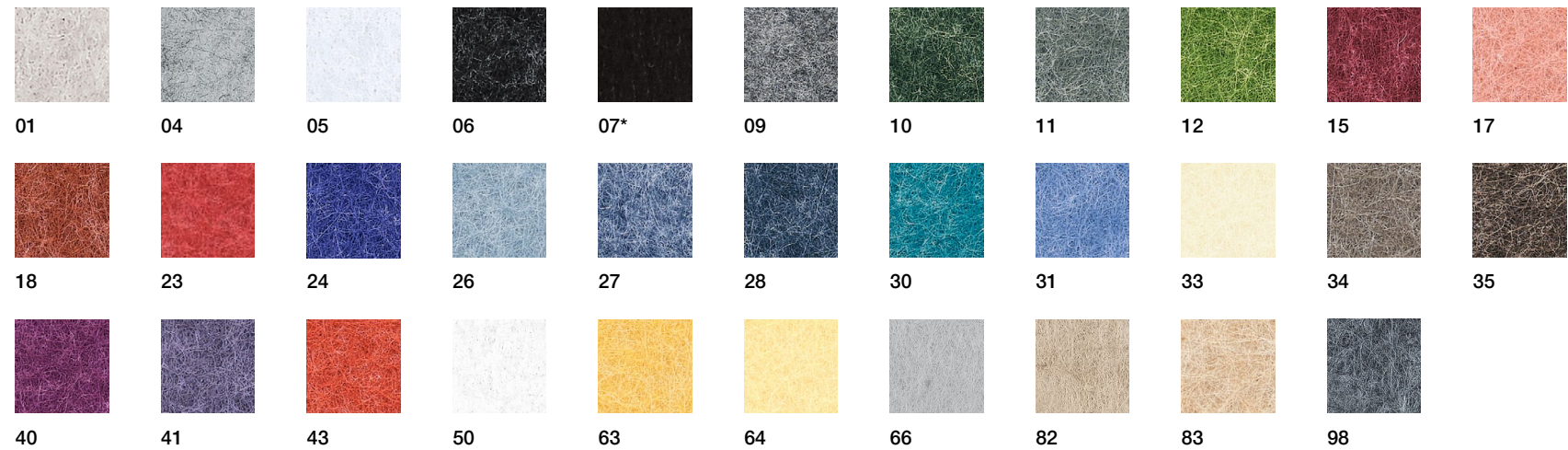


RIFT



ROTARY

ALL COLORS AVAILABLE



* 07 Black is the only substrate color that uses white ink when printing the texture

9mm Stone Textures

Inspired by nature, designed for felt. Our digitally printed Stone Textures capture the character and nuance of stone on top of a curated color collection from our Hues palette with virtually no repeats. The three patterns in this family capture unique elements from the stones for which they are named.

There is an additional product cost for Stone Textures.

Turf has curated this collection to include only the best pattern and color combinations.

Felt Thickness
9mm +/-0.5 mm

Visualization

Our Stone Textures are available on a curated portion of the Hues collection. Select a texture and felt color, and let Turf do the rest. Please visit the Turf website for more examples and visualizations.

turf.design/colors

Monitors and printers vary. Please request a material sample to verify felt colors.

How To Specify

Select Color Number

Choose from the available color list

S T 0 0

Select Texture Name

Travertine
Granite
Marble

X X X X X X X X X X X

STONE TEXTURE



TRAVERTINE

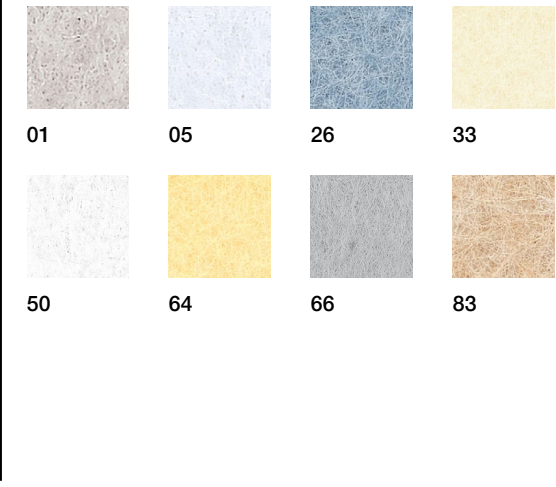
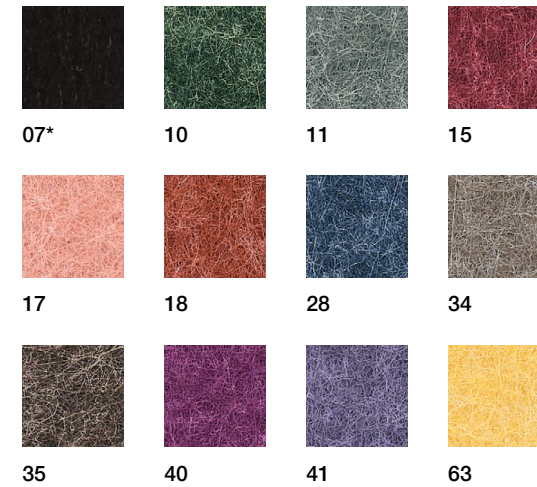
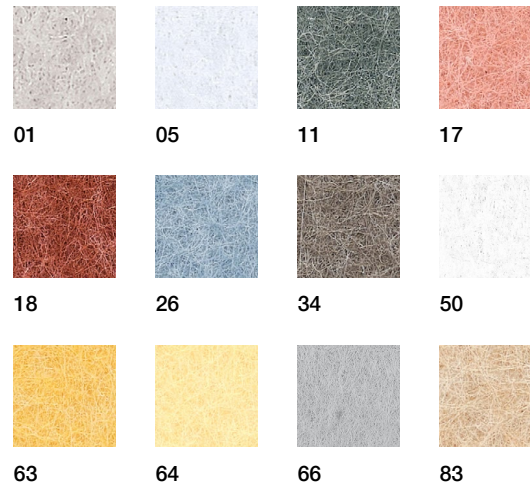


GRANITE



MARBLE

AVAILABLE COLORS



* 07 Black is the only substrate color that uses white ink when printing the texture