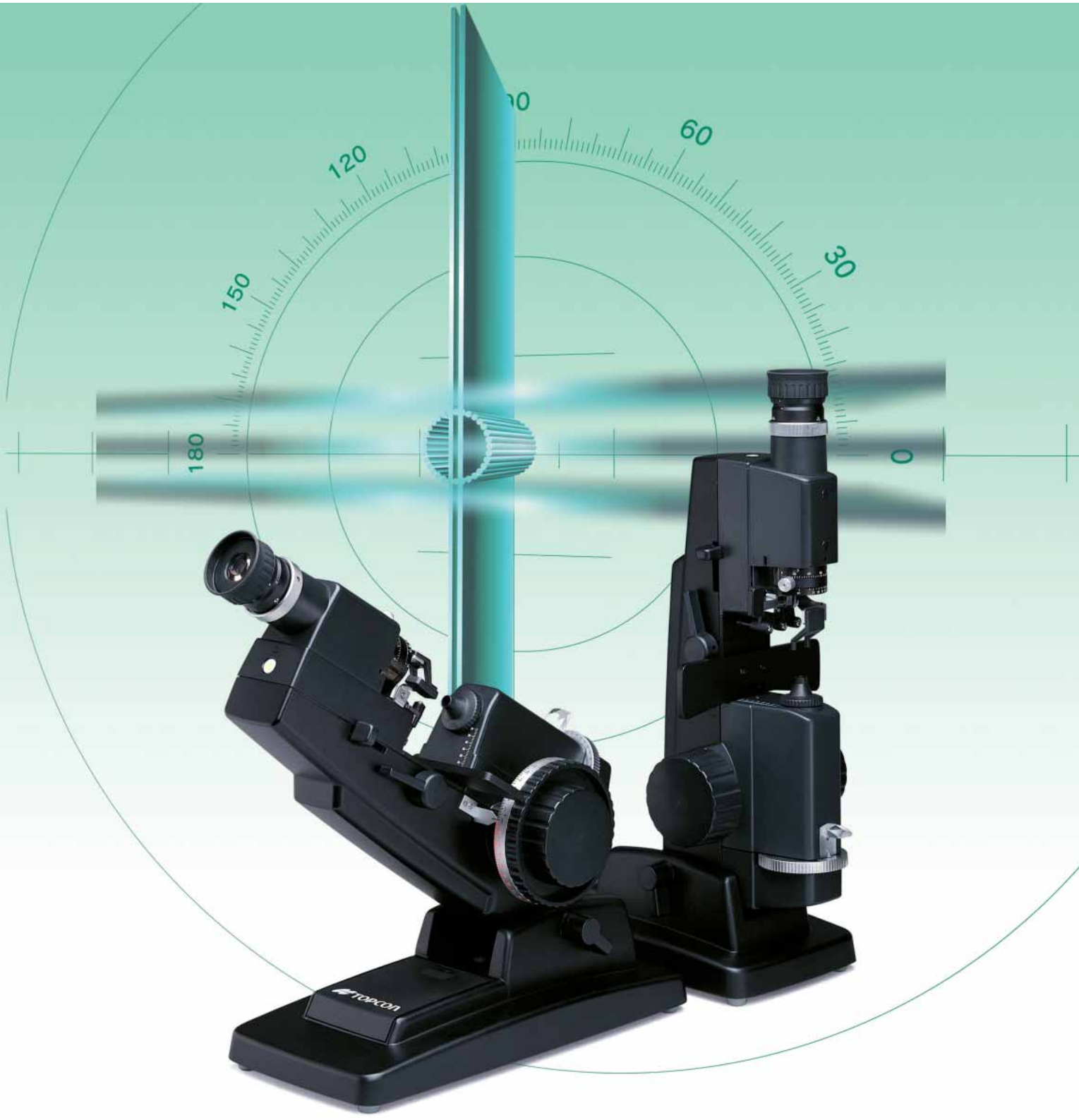


LENSMETER
LM-8/8E



Improved Optics + Sharper Target =

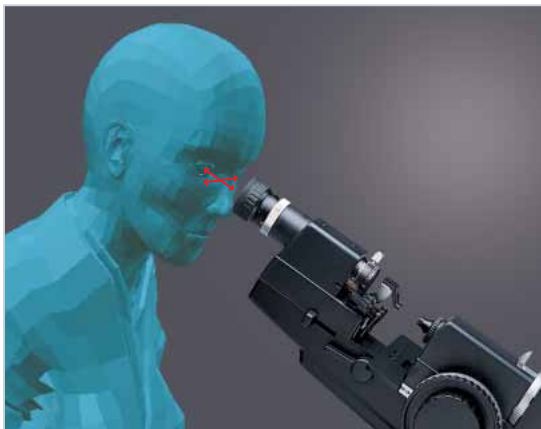
Better Results are what you will see with the new LM-8 Series of Lensmeters. An improved optical system with newly coated optics provides a sharp target image for fatigue free operation. The new LED illuminated target revolutionizes lensometry with brighter, glare free viewing only dreamed of with other instruments.

AO Target

This traditional style target uses a familiar crosshair target already familiar to many user.

High and Wide Field Eyepiece

The newly designed eyepiece provides less shading effect. With an easier view, the measurement procedure becomes less fatiguing.



Easy Axis Scale Viewing

The enhanced view of the axis scale makes reading even easier.

Better Marking Dots

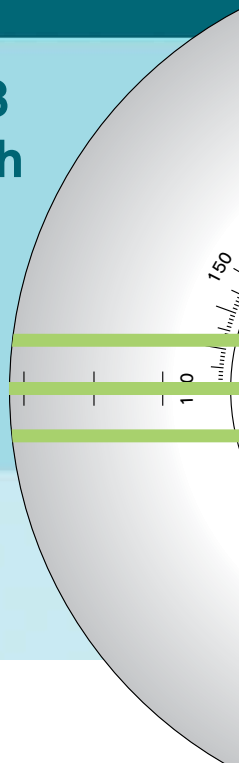
A new cartridge type marking device makes the dot targets more noticeable, especially on A/R coated lenses. Also, the new cartridges are less cumbersome to replace than earlier ink pad assemblies.



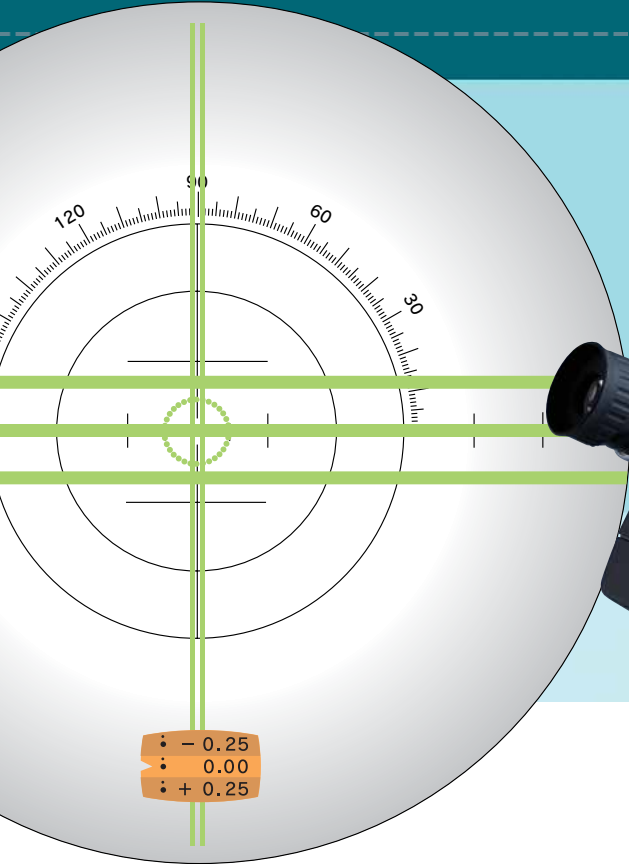
Coventional Marking



LM-8 Series



= Better Results



■ Battery Operated LED Light Source No Power Cable Required

Place this unit anywhere - there is no need for a power cable. If you wish, an AC adapter may be added to the unit. The LED light source eliminates the need for constant bulb replacement. The "sleep mode" preserves battery life.



■ Contact Lens Measurement

Both soft and hard contact lenses may be measured. The base locking mechanism allows for a 90 degree up-right position to make this procedure more practical.



■ Built-in Prism Compensator

The prism compensator with locking device allows for measurement of lenses with prismatic power above 5 diopters. The scale on the compensator has a range of 14 prism diopters.



SPECIFICATIONS	LM-8	LM-8E
Target	American-style crosshair	
Scale Reading	Internal	External
Vertex Power Scale	0 to ± 25 diopters	
Vertex Power Scale Graduation	0.125D up to ± 5 D / 0.25D above ± 5 D	
Prism Diopter Scale	0 to 6 prism diopters 1 Δ graduations	
Eyepiece Adjustment	+3 to -5 diopters	
Lens Diameter	24mm to 90mm in diameter	
Tilt Angle	0 to 90 degree, freely adjustable	
Light Source	LED 570 nm	
Dimensions	160 (W) x 420 (D) x 310 (H)mm	
Weight	Approx. 4.0kg	
Power Source	Battery operated (1.5V x 2) Auto shut off 5 min.	

Optional Accessories

- AC Adapter
- New Cartridge Device

*Subject to change in design and/or specifications without advanced notice.

IMPORTANT

In order to obtain the best results with this instrument, please be sure to review all user instructions prior to operation.