



ICEU220

## Features

- Space-saving 610 mm wide undercounter design.
- Produces up to 114 kg of ice per day.
- Harvest Assist provides consistent ice production for the life of the ice maker while reducing energy consumption and increasing capacity.
- Pure Ice® exclusively by Ice-O-Matic. Built-in antimicrobial protection for the life of the ice maker inhibits bacteria growth on ice maker surfaces. Ice-O-Matic's optional water filtration system provides protection against unpleasant tastes, odors and scale formation.
- Durable, electroless nickel plating on all evaporator plates ensures reliability.
- Longest warranty in the industry. Purchase an Ice-O-Matic water filter with your cube ice maker, replace the filter every six months, and the evaporator warranty is extended to 7 years parts and labor (available in the U.S. and Canada only).
- Constructed from corrosion-resistant stainless steel and fingerprint-proof plastic.

## Options & Accessories

| WATER FILTERS     |          |             |               |
|-------------------|----------|-------------|---------------|
| Ice Machine Model | Manifold |             | Inline        |
|                   | System   | Replacement | System        |
| ICEU220           | IFQ1     | IOMQ (I)    | IFI4C / IFI8C |
| ICEU225           |          |             |               |
| ICEU226           |          |             |               |

## Ice Maker Warranty

Every Ice-O-Matic ice maker is backed by a warranty that provides both parts and *labor coverage*.

- Three years **Parts** and **Labor**.
- Five years **Parts** coverage on the evaporator and compressor.
- Seven years **Parts** and **Labor** on the evaporator when you purchase an Ice-O-Matic water filter with your cube ice maker and replace the filter every six months (available in the U.S. and Canada only).

## Ice Form



CUBE

| FULL CUBE DIMENSIONS |              |
|----------------------|--------------|
| W x D x H (mm)       | 22 x 22 x 22 |
| HALF CUBE DIMENSIONS |              |
| W x D x H (mm)       | 10 x 22 x 22 |

## Space-Saving Solutions

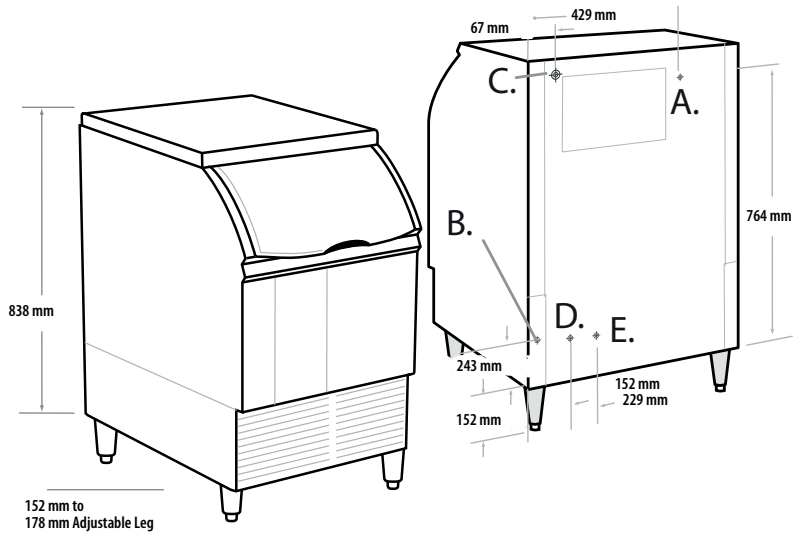
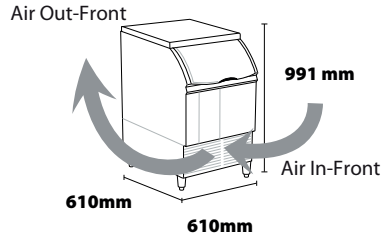
- Front air discharge design for compact spaces.
- Low profile top saves counter space.
- Stores up to 34 kg of ice.
- Easy front access to ice.
- Available with an air-cooled or water-cooled condenser.





### Air and Water Cooled

- A. Ice maker water in, 3/8" FPT.
- B. Bin and ice maker drain, 3/4" FPT.
- C. Hole for electrical connections, 7/8" (Cord on 115).
- D. Condenser water in, 3/8" FPT (water cooled units only).
- E. Condenser water out, 1/2" FPT (water cooled units only).



Front & Rear View

ICEU220/225/226 SELF CONTAINED CUBE ICE MAKER

## Operating Requirements

|                         | MINIMUM | MAXIMUM |      |
|-------------------------|---------|---------|------|
|                         |         | 60 Hz   | 50Hz |
| Ambient Temp. Range Air | 10°C    | 38°C    | 43°C |
| Water Temp.             | 4.4°C   |         |      |
| Water Pressure          | 1.4 BAR | 4.1 BAR |      |

## Dimensions

| ALL MODELS     |                 |
|----------------|-----------------|
| W x D x H (mm) | 610 x 610 x 991 |

## Specifications

| Model Number | Cond. Unit | Ice Production per 24hrs |                        | Water Usage liters per 45 kg of Ice 32°C air/21°C water |           | kWH Used per 45 kg of ice @ 32°C air/21°C water | Voltage Characteristics | Min. Circuit Ampacity | Fuse Size |
|--------------|------------|--------------------------|------------------------|---|-----------|---|-------------------------|-----------------------|-----------|
|              |            | 21°C air/10°C water kg   | 32°C air/21°C water kg | Potable   | Condenser |   |                         |                       |           |
| ICEU220A ★   | Air        | 108                      | 80                     | 115   | -         | 8.8   | 115/60/1                | 11.9                  | 15        |
| ICEU220W     | Water      | 114                      | 88                     | 139   | 662       | 6.6   |                         | 8.9                   |           |
| ICEU225A     | Air        | 96                       | 65                     | 123   | -         | 8.8   | 230/50/1                | 4.9                   | 16        |
| ICEU225W     | Water      | 95                       | 79                     | 138   | 590       | 6.3   |                         | 4.1                   |           |
| ICEU226A     | Air        | 110                      | 76                     | 115   | -         | 8.5   | 208-230/60/1            | 6.0                   | 15        |
| ICEU226W     | Water      | 105                      | 87                     | 137   | 632       | 6.6   |                         | 4.4                   |           |

### NOTES:

Number of Wires: 3 (including ground)  
 Approx. Shipping Weight kg: ICEU220A 73 • ICEU220W 73 • ICEU225A 73 • ICEU225W 73 • ICEU226A 73 • ICEU226W 73  
 Refrigerant Type: R404A

★ENERGY STAR qualified machine. Please see our website [www.iceomatic.com](http://www.iceomatic.com) for the latest list of ENERGY STAR qualified machines and available rebates