

Ice-O-Matic[®]

SERVICE PARTS MANUAL

The ICE Series Undercounter Cubers

MODEL-ICEU150A4,A5-W4,W5 ICEU220A2,A3-W2,W3

ICEU225A2,A3-W2,W3 ICEU226A2,A3-W2,W3



This parts list contains the service parts available for the following ICE Undercounter icemakers:

ICEU150A4,A5-W4,W5

ICEU220A2,A3-W2,W3

ICEU225A2,A3-W2,W3

ICEU226A2,A3-W2,W3

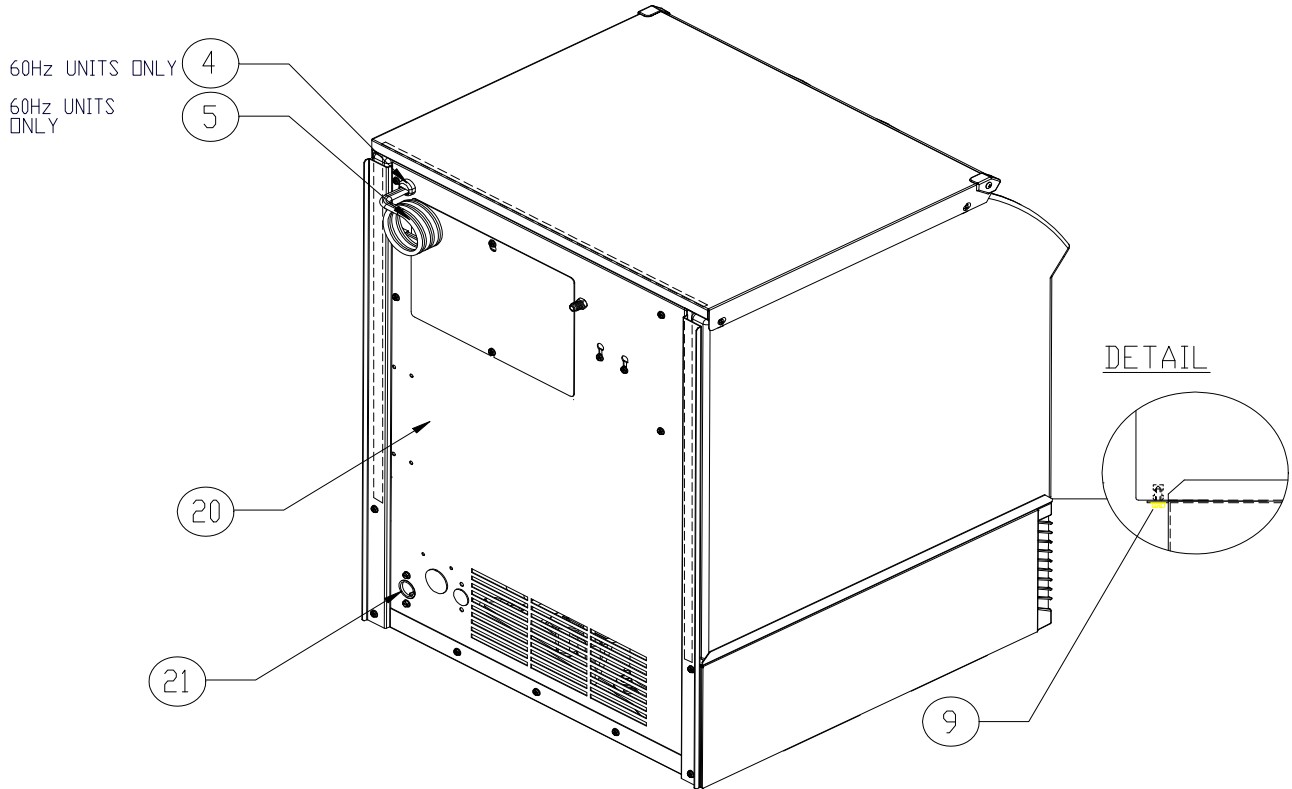
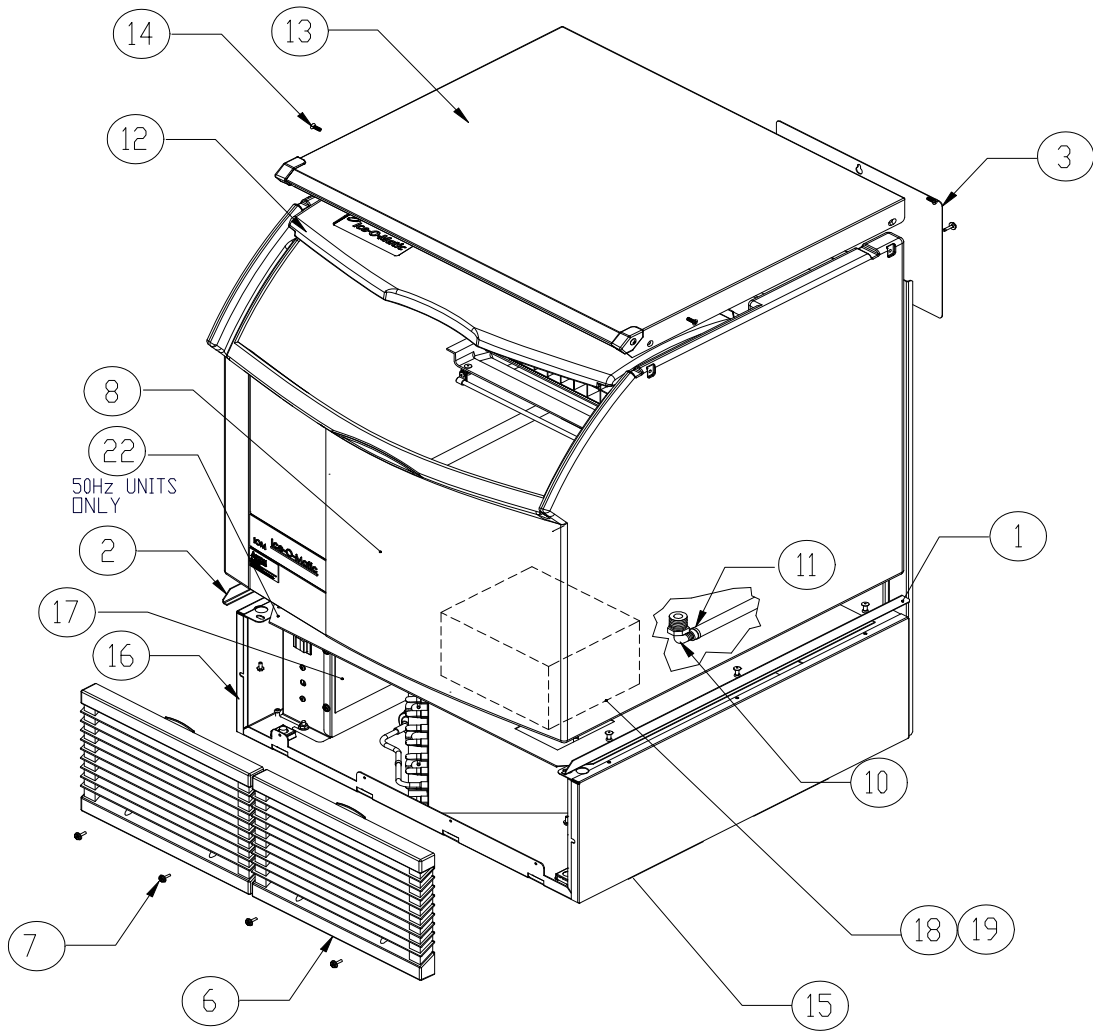
Check the model number on the data plate and refer to the correct listing for the specific component.

Check carefully that the correct part is identified and ordered.

Table of Contents	Page 1
Bin and Exterior Components	Page 2 - 3
Refrigeration System	Page 4 - 5
Harvest Assist Assembly	Page 6
Control Box	Page 7
Evaporator	Page 8
Water Pump	Page 9

Ice-O-Matic
11100 East 45th Ave.
Denver Co. 80239
800-423-3367

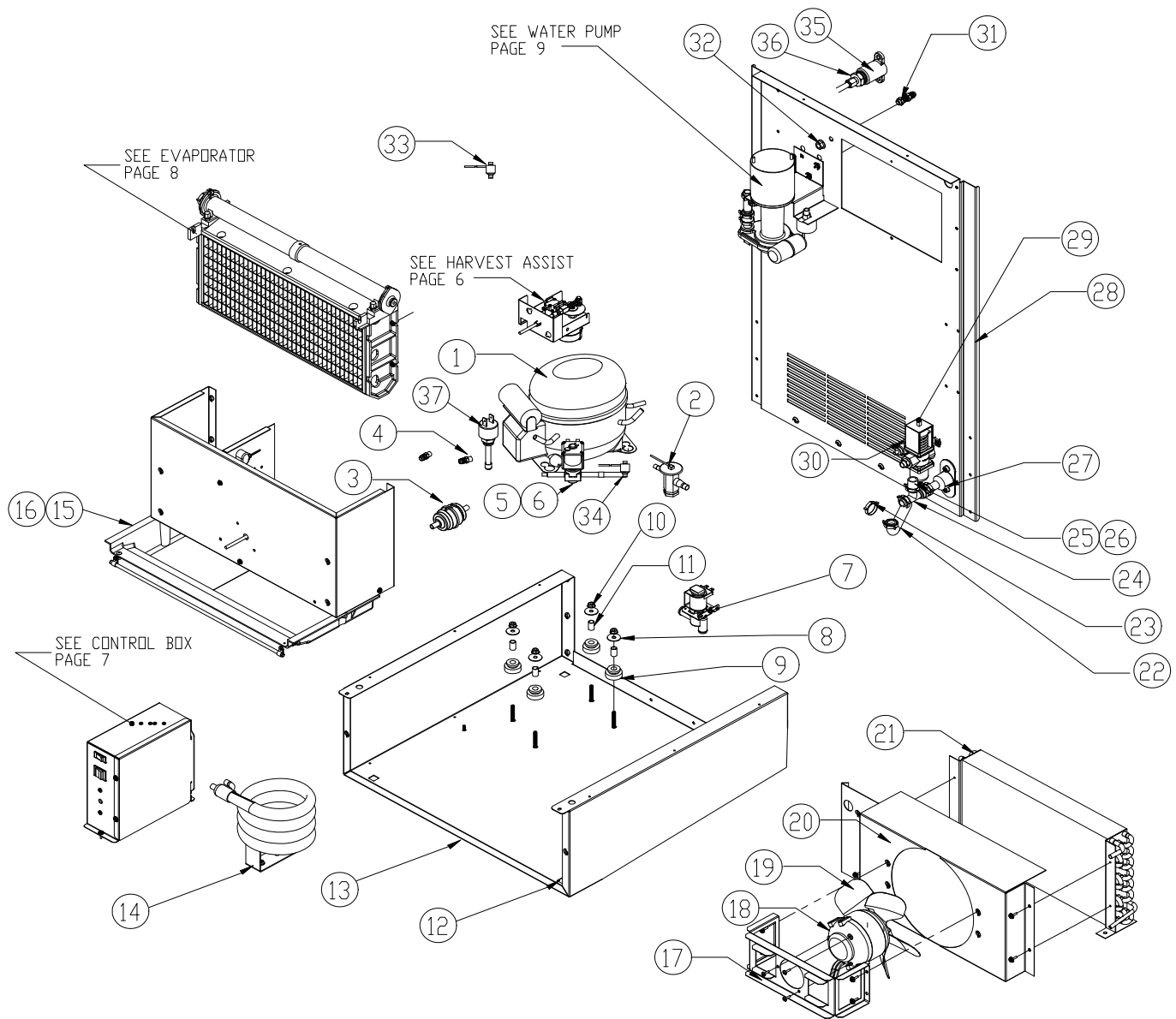
The ICE Series Service Manual is available separately, Part Number 9081270-01



ICE Undercounter Service Parts

Bin and Exterior Components

Item	ICEU150	ICEU220	ICEU225	ICEU226	Description
1	3021875-01	3021875-01	3021875-01	3021875-01	Trim Strip RH
2	3021875-02	3021875-02	3021875-02	3021875-02	Trim Strip LH
3	3012149-01	3012149-01	3012149-01	3012149-01	Panel, Rear Access
4	9121015-04	9121015-04	9121015-04	9121015-04	Strain Relief
5	9101242-01	9101242-01	9101242-01	9101242-01	Power Cord (115 Volt units only)
6	9051530-01	9051530-01	9051530-01	9051530-01	Front Grill (2 required, sold each)
7	9031046-03	9031046-03	9031046-03	9031046-03	Front Grill Screw
8	2101419-01	2101419-01	2101419-01	2101419-01	Bin Assembly (Includes Item 10)
9	9031112-01	9031112-01	9031112-01	9031112-01	Screw Hex Head
10	9091122-02	9091122-02	9091122-02	9091122-02	Drain Elbow
11	9021010-04	9021010-04	9021010-04	9021010-04	Clamp
12	2101417-01	2101417-01	2101417-01	2101417-01	Bin Door Assembly
	9051534-01	9051534-01	9051534-01	9051534-01	Bin Door
	9031122-03	9031122-03	9031122-03	9031122-03	Thumb Screw
	3013249-01	3013249-01	3013249-01	3013249-01	Door Stop
13	2101426-01	2101426-01	2101426-01	2101426-01	Bin Top Assembly
	9051573-02	9051573-02	9051573-02	9051573-02	Plastic Corner Cap Left Side
	9051573-01	9051573-01	9051573-01	9051573-01	Plastic Corner Cap Right Side
	9031098-02	9031098-02	9031098-02	9031098-02	Truss Head Sheet Metal Screw-Plastic Corner
14	9031023-10	9031023-10	9031023-10	9031023-10	Top Panel Screw
15	3021874-01	3021874-01	3021874-01	3021874-01	Right Side Panel
16	3021874-01	3021874-01	3021874-01	3021874-01	Left Side Panel
17	3013161-01	3013161-01	3013161-01	3013161-01	Control Box Cover
18	9021001-04	9021001-04	9021001-04	9021001-04	Leg Set (4 each)
19	9051127-02	9051127-02	9051127-02	9051127-02	Ice Scoop
20	2021675-01	2021675-01	2021675-01	2021675-01	Rear Panel
21	9091140-01	9091140-01	9091140-01	9091140-01	Drain Fitting
22	N/A	N/A	3013319-01	N/A	Cover Base Panel
24	9031162-01	9031162-01	9031162-01	9031162-01	Thumb Nut Three Prong



Item	ICEU150	ICEU220	ICEU225	ICEU226	Description
1	9181148-11*	9181115-12	9181115-13	9181115-14	Compressor (*Part Number Changed)
2	9151157-01	9151156-01	9151156-01	9151156-01	Expansion Valve-Danfoss
3	9151163-01	9151163-01	9151163-01	9151163-01	Drier (Replaces 9151004-02)
4	9091086-02	9091086-02	9091086-02	9091086-02	Service Valve Core
	9091086-03	9091086-03	9091086-03	9091086-03	Service Valve Cap
5	9151123-06	9151123-06	9151123-06	9151123-06	Hot Gas Valve Body
6	9151123-03	9151123-03	9151123-04	9151123-04	Hot Gas Valve Coil
7	9041105-04	9041105-04	9041105-05	9041105-05	Purge Valve (Replaces 9041086 Purge Valve)

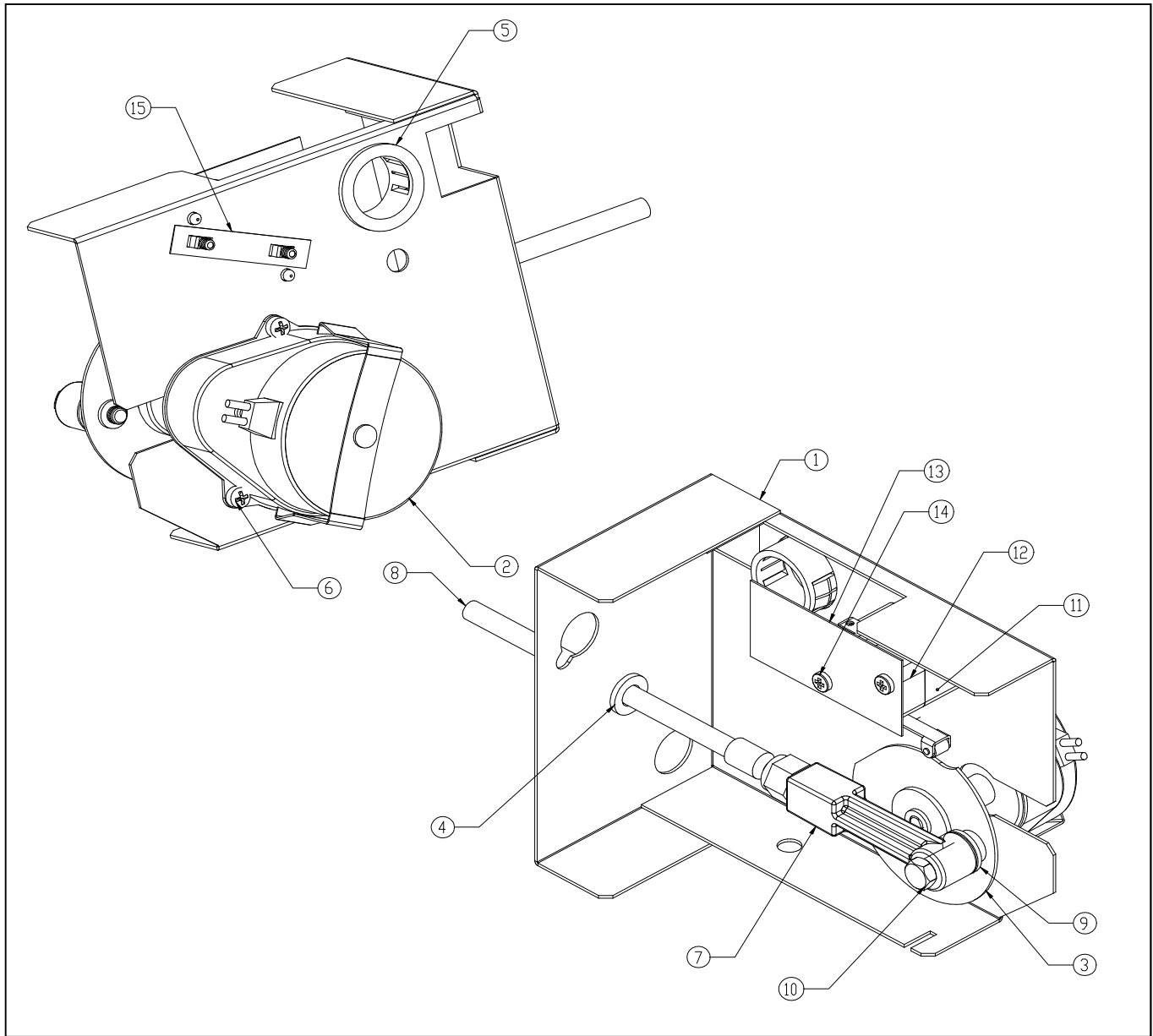
The 9181115-11(ASB14C3E-IAA) is NLA and has been replace by 9181148-11 (ASE14C4E-IAA), See SB 12-17 Compressor Components (Reference Compressor for Starting Components)

ICEU150	ICEU220	ICEU225	ICEU226	Description
9181115-11	9181115-12	9181115-13	9181115-14	Compressor
9181005-42	9181005-38	9181005-40	9181005-41	Overload
9181003-43	9181003-43	9181003-29	9181003-41	Start Capacitor
9181004-24	9181004-24	9181004-20	9181004-28	Compressor Relay
9181148-11				Compressor (ASE14C4E-IAA)
9181005-45				Overload
9181003-53				Start Capacitor
9181004-30				Compressor Relay

Item	ICEU150	ICEU220	ICEU225	ICEU226	Description
8	9031004-02	9031004-02	9031004-02	9031004-02	Flat Washer
9	9181002-10	9181002-10	9181002-10	9181002-10	Grommet
10	9031118-02	9031118-02	9031118-02	9031118-02	Lock Nut
11	9181002-11	9181002-11	9181002-11	9181002-11	Sleeve Compressor Mounting
12	9031012-02	9031012-02	9031012-02	9031012-02	Lock Nut (Leg)
13	2021673-01	2021673-01	2021673-01	2021673-01	Base Assembly
14	9141022-01	9141022-01	9141022-01	9141022-01	Water Condenser
15	2101151-01	2101151-01	2101151-01	2101151-01	Water Trough Assembly
15	9051149-02	9051149-02	9051149-02	9051149-02	Water Trough From SN11121280010581
15A	9031122-02	9031122-02	9031122-02	9031122-02	Water Trough Screws
15B	9031004-19	9031004-19	9031004-19	9031004-19	Rubber Washer
16	9031122-02	9031122-02	9031122-02	9031122-02	Water Trough Screws
17	3013250-01	3013250-01	3013250-01	3013250-01	Fan Bracket
18	9161028-01	9161112-01	9161112-02	9161112-02	Fan Motor
18	9161112-01				Fan Motot (From Serial Number 12061280012536)
19	9131446-01	9131446-01	9131446-01	9131446-01	Fan Blade
20	3013254-01	3013254-01	3013254-01	3013254-01	Fan Shroud
21	9141126-01	9141126-01	9141126-01	9141126-01	Air Condenser
22	9051280-08	9051280-08	9051280-08	9051280-08	Purge Drain Tube
23	9021010-05	9021010-05	9021010-05	9021010-05	Hose Clamp
24	9091024-01	9091024-01	9091024-01	9091024-01	Barbed Tee
25	3051222-20	3051222-20	3051222-20	3051222-20	Tubing 9/16 x 20 Inches Long
26	9021010-04	9021010-04	9021010-04	9021010-04	Hose Clamp
27	9091140-01	9091140-01	9091140-01	9091140-01	Drain Adapter
28	2021675-01	2021675-01	2021675-01	2021675-01	Rear Panel
29	9041059-01	9041059-01	9041059-01	9041059-01	Water Regulator
30	9091063-02	9091063-02	9091063-02	9091063-02	Drop Adapter Fitting
31	9091135-01	9091135-01	9091135-01	9091135-01	Water inlet Fitting
32	9031118-05	9031118-05	9031118-05	9031118-05	Flanged Lock Nut
33	9041087-03	9041087-03	9041087-03	9041087-03	High Temperature Safety Control
34	9041098-01	9041098-01	9041098-01	9041098-01	High Temp Safety Control- From SN 10041280011405
35	9091074-01	9091074-01	9091074-01	9091074-01	Drop Adapter Fitting- From SN 10041280011405
36	9091083-01	9091083-01	9091083-01	9091083-01	Water Inlet Body* -From SN 10041280011405
	9091083-03	9091083-03	9091083-03	9091083-03	Water Inlet Nut** -From SN 10041280011405
37	9041091-01	9041091-01	9041091-01	9041091-01	High Pressure Control- From SN 10041280011405
38	2021703-01	2021703-01	2021703-01	2021703-01	Bin Stat Bracket Assy, From SN11121280010581
39	3032819-01	3032819-01	3032819-01	3032819-01	Tube, Bin Control, From SN11121280010581

*Note 9091083-01 is the Water Inlet Body Only, it DOES NOT include 9091083-03 Nut

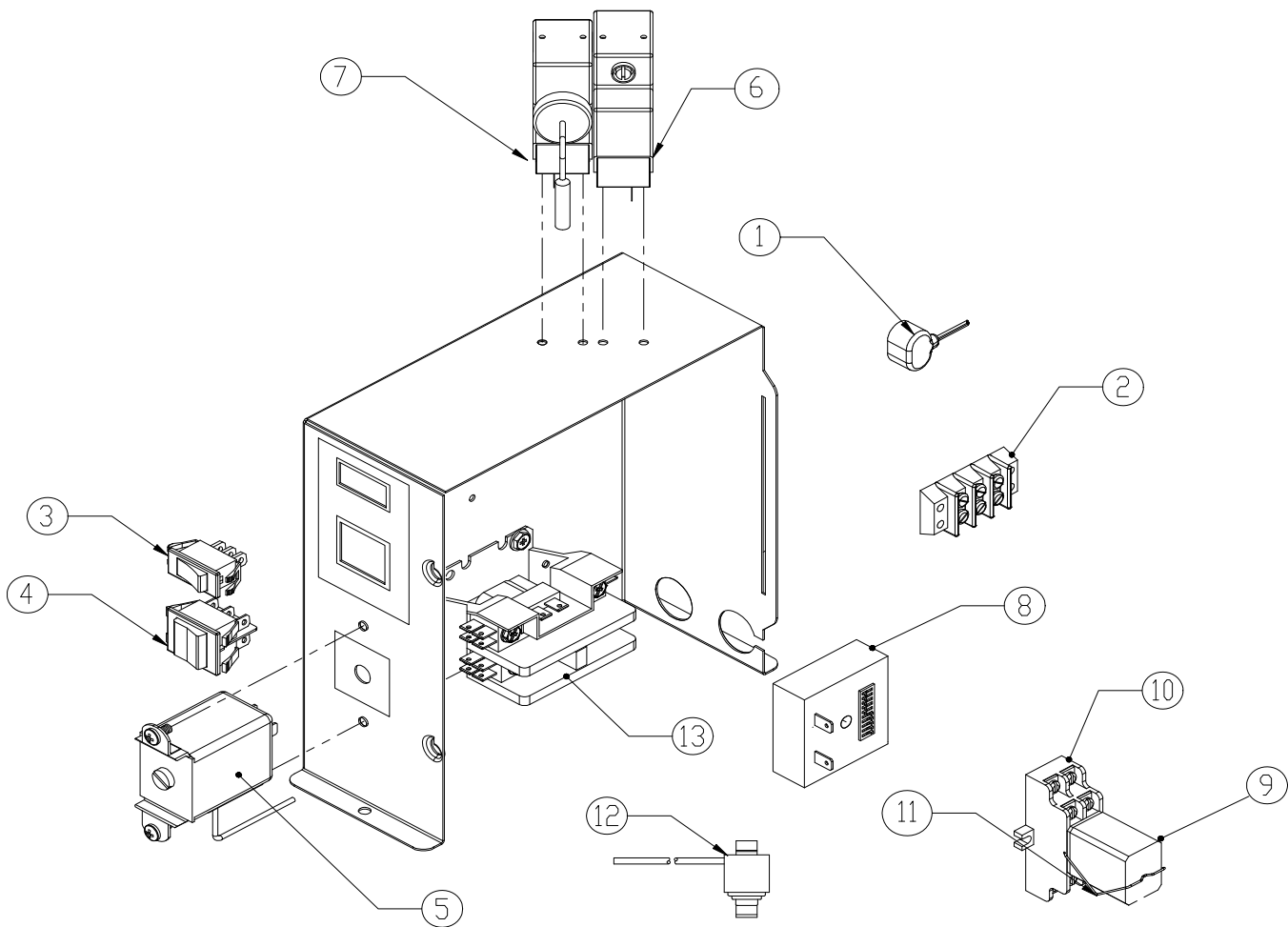
**Note 9091083-03 is the Nut Only, it DOES NOT include the 9091083-01 Water Inlet Body



Item	ICEU150	ICEU220	ICEU225	ICEU226	Description
1	3013170-01	3013170-01	3013170-01	3013170-01	Bracket, Probe Motor
2	9161030-01	9161030-01	9161031-01	9161031-01	Gear Motor
3	9131190-03	9131190-03	9131190-03	9131190-03	Clutch Assembly, 60 Degree
3	9131190-01	9131190-01			Clutch Assembly, 160 Degree- See Note Below*
4	9051001-13	9051001-13	9051001-13	9051001-13	Snap Bushing
5	9051001-03	9051001-03	9051001-03	9051001-03	Snap Bushing
6	9031019-08	9031019-08	9031019-08	9031019-08	#6-32 x 1/2 Screw
7	9051057-01	9051057-01	9051057-01	9051057-01	Connecting Rod
8	9021102-01	9021102-01	9021102-01	9021102-01	Probe, Single Length
9	9031003-03	9031003-03	9031003-03	9031003-03	Flat Washer
10	9031119-01	9031119-01	9031119-01	9031119-01	Shoulder Screw
11	9051519-01	9051519-01	9051519-01	9051519-01	Spacer, Cam Switch
12	9101160-01	9101160-01	9101160-01	9101160-01	Cam Switch
13	9131500-01	9131500-01	9131500-01	9131500-01	Insulator
14	9031008-44	9031008-44	9031008-44	9031008-44	Pan head Screw
15	9031120-01	9031120-01	9031120-01	9031120-01	Speed Nut Plate
	2061962-05S	2061962-05S	2061962-07S	2061962-07S	Harvest Assist Assembly
	2061962-01S	2061962-01S			Harvest Assist Assembly - See Note Below**

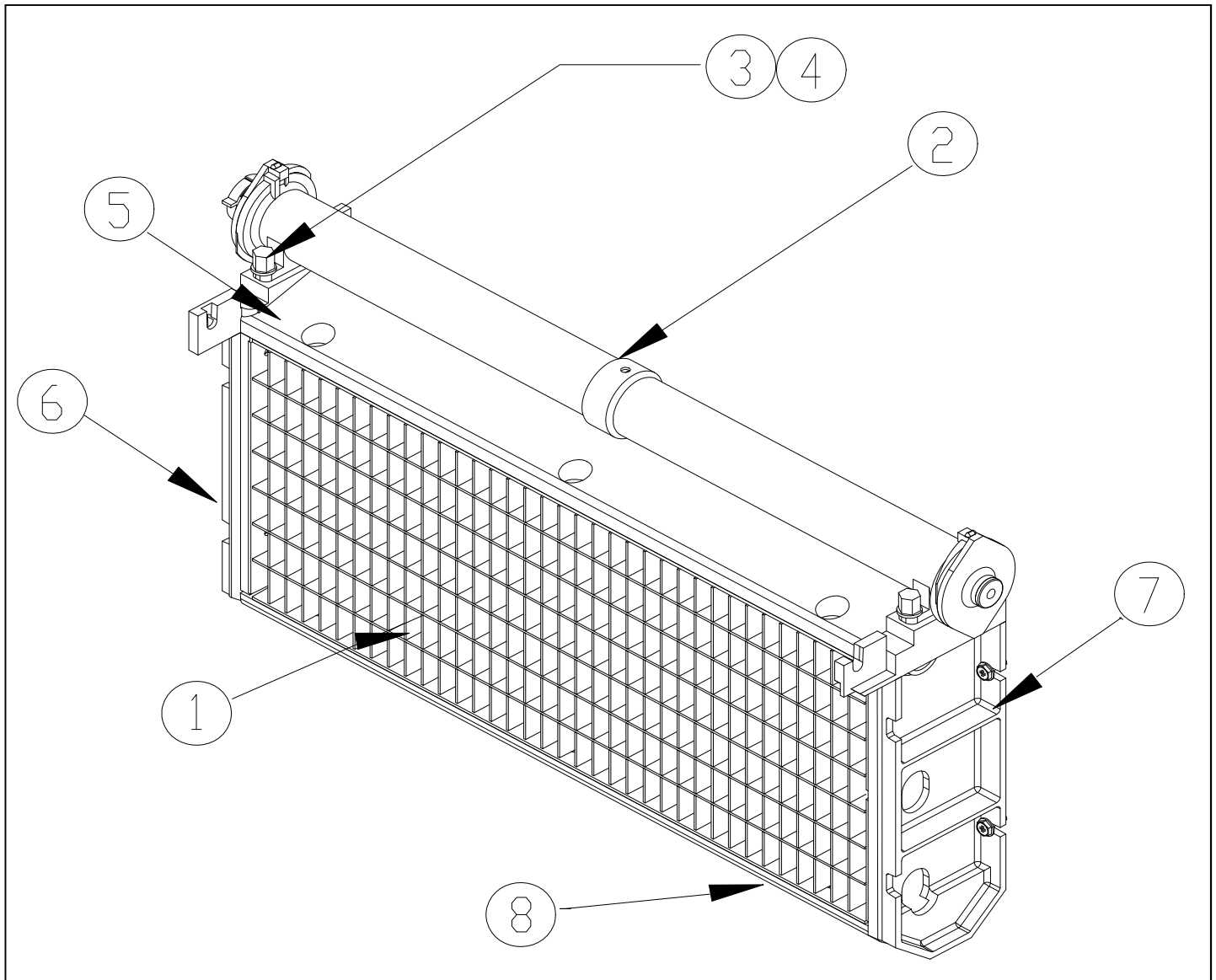
*Note, From November of 2012 (SN1211)

**Note, From November of 2012 (SN1211) 2061962-01S Assembly has the 160 Degree Clutch

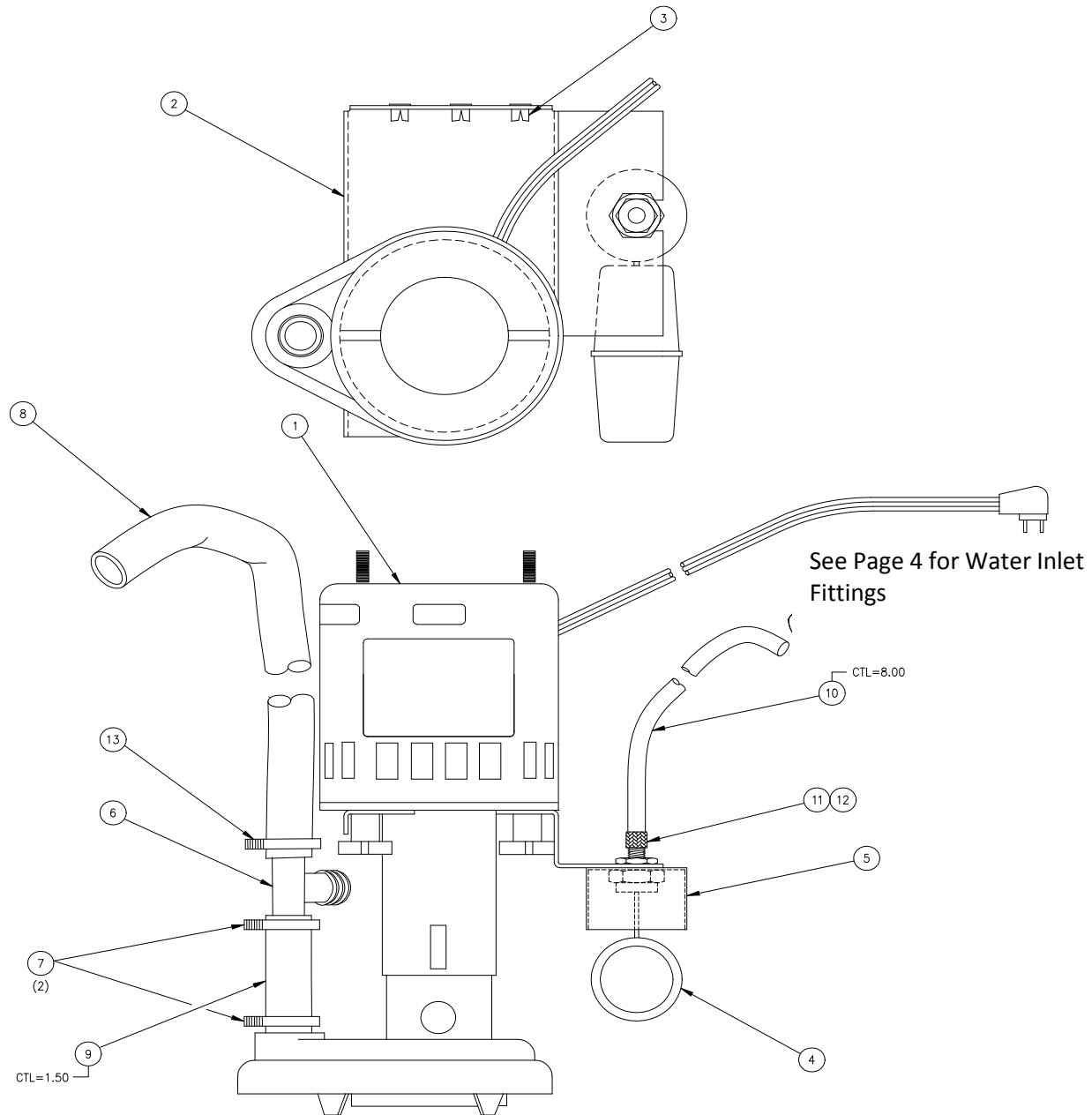


Item	ICEU150	ICEU220	ICEU225	ICEU226	Description
1	9101218-01	9101218-01	9101218-01	9101218-01	Water Pump Connector
2	9101037-01	9101037-01	9101037-01	9101037-01	Terminal Block
3	1051208-01	1051208-01	1051208-01	1051208-01	Switch-Purge (Prior to SN1407 9101139-03 is NLA)
3	9101348-01	9101348-01	9101348-01	9101348-01	Switch-Purge (From SN1407 9101139-03 is NLA)
4	9101349-01	9101349-01	9101349-01	9101349-01	Ice/Off/Wash Switch (9101195-01 is NLA)
5	9041097-01	9041097-01	9041097-01	9041097-01	Thermostat-Bin Control
6	9041104-101A	9041104-101A	9041104-101A	9041104-101A	Low Pressure Control* (Replaces 9041094-01)
7	9041095-01	9041095-01	9041095-01	9041095-01	High Pressure Control
7	9041091-01	9041091-01	9041091-01	9041091-01	High Pressure Control-From SN 10041280011405
8	9101148-01	9101148-01	9101148-01	9101148-01	Timing Module
9	9101084-01	9101084-01	9101084-02	9101084-02	Relay
10	9101083-01	9101083-01	9101083-01	9101083-01	Socket-Relay
11	9101083-02	9101083-02	9101083-02	9101083-02	Hold Down Spring - Relay
12	9041087-03	9041087-03	9041087-03	9041087-03	High Temperature Safety Control
12	9041098-01	9041098-01	9041098-01	9041098-01	High Temp Safety Control-From SN 10041280011405
13	9101002-07	9101002-07	9101002-06	9101002-06	Contactior-From SN 10041280011405

*Note Includes Sovlent and Adhesive



Item	ICEU150	ICEU220	ICEU225	ICEU226	Description
1	2051231-02S	2051231-02S	2051231-02S	2051231-02S	Evaporator-Half Cube (Shown)
1	2051231-01S	2051231-01S	2051231-01S	2051231-01S	Evaporator-Full Cube
2	2041338-01	2041338-01	2041338-01	2041338-01	Water Distribution Tube
3	9031122-01	9031122-01	9031122-01	9031122-01	Thumbscrew
4	9031004-19	9031004-19	9031004-19	9031004-19	Rubber Washer
5	9051135-05	9051135-05	9051135-05	9051135-05	Spillway
6	9051136-07	9051136-07	9051136-07	9051136-07	Left Side Evaporator Mounting Panel
7	9051136-08	9051136-08	9051136-08	9051136-08	Right Side Evaporator Mounting Panel
8	9051135-04	9051135-04	9051135-04	9051135-04	Water Return



Item	ICEU150	ICEU220	ICEU225	ICEU226	Description
1	9161076-01	9161076-01	9161076-02	9161076-02	Water Pump
2	3012847-01	3012847-01	3012847-01	3012847-01	Pump Bracket
3	9031141-01	9031141-01	9031141-01	9031141-01	Plastic Nut
4	9131111-101	9131111-101	9131111-101	9131111-101	Float (9131111-101 Includes Fittings)*
5	9131026-02	9131026-02	9131026-02	9131026-02	Cap Plug
6	9091024-01	9091024-01	9091024-01	9091024-01	Plastic Barbed Tee 5/8
7	9021010-04	9021010-04	9021010-04	9021010-04	Plastic Clamp
8	9051280-05	9051280-05	9051280-05	9051280-05	Hose PVC 9/16 (Formed)
9	6021015-04	6021015-04	6021015-04	6021015-04	Hose PVC 5/8 - 1.50 Inch Required
10	6021032-01	6021032-01	6021032-01	6021032-01	Tube-Polyethylene - 8 Inches Required
11	9091080-01	9091080-01	9091080-01	9091080-01	Barrel Fitting
12	9091081-01	9091081-01	9091081-01	9091081-01	Sleeve
13	9021010-03	9021010-03	9021010-03	9021010-03	Plastic Clamp

*Note: The 9131111-01 is NLA, Replaced by 9131111-101 which includes fittings.