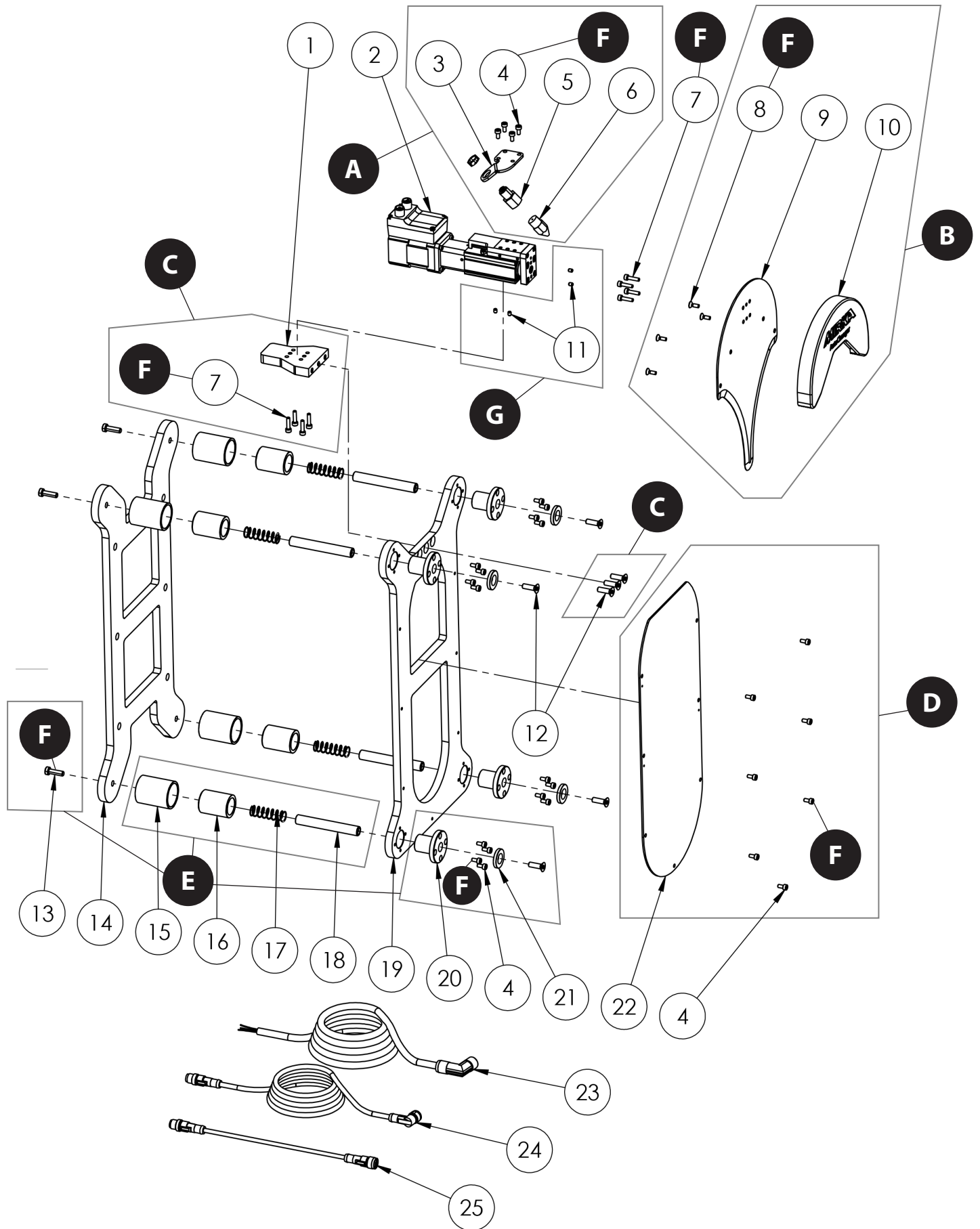


Exploded view of AutoChanger Remover
 Updated 08.06.2023



Auto Changer Remover Spare Part kits

Mirka Code	Item	Description	Kit	Qty	Tightening Torque
MAC1023031		Air Nozzle kit			
	3	Bracket		1	
	4	Screw M4x8 mm	A	4	
	5	Pneumatic Coupling		1	
	6	Air Nozzle		1	
MAC1023091		Knife and Bumper kit			
	8	Screw M4x12 mm	B	4	
	9	Knife		1	
	10	Bumper		1	
MAC1023071		Actuator Unit Stand kit			
	1	Unit Stand	C	1	
	7	Screw M4x16 mm		4	
	12	Screw M6x20 mm (Countersunk)		3	
MAC1023221		Sliding Plate kit			
	4	Screw M4x8 mm	D	7	
	22	Sliding Plate		1	
MAC1023151		Spring Unit kit			
	4	Screw M4x8 mm		4	
	12	Screw M6x20 mm (Countersunk)		1	
	13	Screw M6x20 mm		1	
	15	Outer Casing	E	1	
	16	Inner Casing		1	
	17	Spring		1	
	18	Guide Rod		1	
	20	Linear Bearing		1	
21	Washer		1		
MAC1023041		Screw kit			
	4	Screw M4x8 mm		27	
	7	Screw M4x16 mm	F	8	
	8	Screw M4x12 mm		4	
	12	Screw M6x20 mm (Countersunk)		7	
	13	Screw M6x20 mm		4	
MAC1023111		Centering Pin kit			
	11	Centering Pin	G	4	

Separate spare parts on next page.

Auto Changer Remover Spare Parts

Mirka Code	Item	Description	Kit	Qty	Tightening Torque
	1	Unit Stand	C	1	
MAC1013011	2	Linear Actuator		1	
	3	Bracket	A	1	
	4	Screw M4x8 mm	A,D,E,F	27	
	5	Pneumatic Coupling	A	1	
	6	Air Nozzle	A	1	
	7	Screw M4x16 mm	C,F	8	
	8	Screw M4x12 mm	B,F	4	
	9	Knife	B	1	
	10	Bumper	B	1	
	11	Centering Pin	G	4	
	12	Screw M6x20 mm (Countersunk)	C,E,F	7	
	13	Screw M6x20 mm	E,F	4	
MAC1013141	14	Back Plate		1	
	15	Outer Casing	E	4	
	16	Inner Casing	E	4	
	17	Spring	E	4	
	18	Guide Rod	E	4	
MAC1013191	19	Front Plate		1	
	20	Linear Bearing	E	4	
	21	Washer	E	4	
	22	Sliding Plate	D	1	
MAC1013251	23	Power Cable M12		1	
MAC1013241	24	Signal Connecting Cable M12		1	
MAC1013231	25	Signal Adapter Cable M12		1	