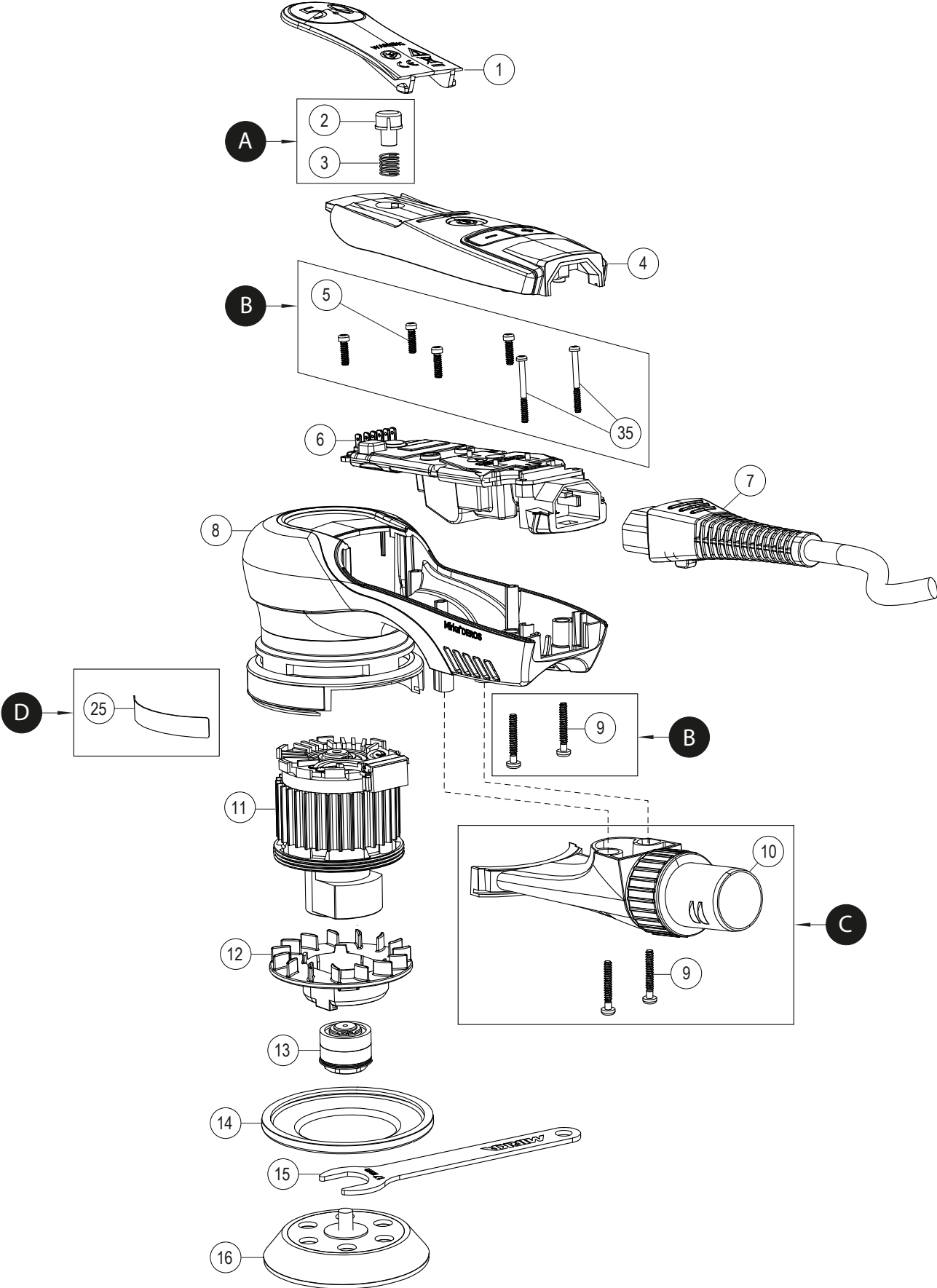


# Exploded view of DEROS X 77 mm (100–120V)

Updated 12.04.2022



## DEROS X 77 mm Spare Part kits (100-120V)

Electrical tool must be serviced by a qualified repair person and in accordance with national requirements.

**Note!** Repairs done by non-authorized repairer will breach the Mirka warranty.

Mirka Code	Item	Description	Kit	Qty	Tightening torque
MIE6520211		<b>Start Button kit</b>			
	2	Start Button	A	1	
	3	Start Button Spring		1	
MIE6520511		<b>Screw kit</b>			
	5	Screw 2,5 x 10 mm	B	4	0,5 Nm/0,4 ft-lb
	9	Housing Screw 3,0 x 25 mm		2	1,4 Nm/1,0 ft-lb
35	Screw 2,5 x 25 mm	2		0,5 Nm/0,4 ft-lb	
MIE3521011		<b>Swivel Exhaust kit</b>			
	9	Housing Screw 3,0 x 25 mm	C	2	1,4 Nm/1,0 ft-lb
	10	Swivel Exhaust		1	
MIE3562511		<b>Type Label kit 110V</b>			
	25	Type Label DEROS 350	D	5	

Separate spare parts on next page.

## DEROS X 77 mm Spare Parts (100-120V)

Mirka Code	Item	Description	Kit	Qty	Tightening torque
MIE6510111	1	<b>Lever 5,0 mm (77, 125 &amp; 150 mm)</b>		1	
	2	Start Button	A	1	
	3	Start Button Spring	A	1	
MIE6510411	4	<b>Cover Plate</b>		1	
	5	Screw 2,5 x 10 mm	B	4	0,5 Nm/0,4 ft-lb
MIE6560611	6	<b>Speed Controller 110V*</b>		1	
MIE9017211	7	<b>Rewireable Mains Cable 4,3m 100-120V US</b>		1	
MIE9017311	7	<b>Rewireable Mains Cable 4,3m 100-120V UK</b>		1	
MIE3520811	8	<b>Housing</b>		1	
	9	Housing Screw 3,0 x 25 mm	B,C	2,2	1,4 Nm/1,0 ft-lb
	10	Swivel Exhaust	C	1	
MIE3561111	11	<b>Motor 5,0 mm/30 g Pad (77 mm) 110V*</b>		1	25 Nm/18,4 ft-lb
MIE3511211	12	<b>Fan 2,5/5,0mm/30g Pad (77 mm)</b>		1	
MIE3521311	13	<b>Spindle Bearing kit</b>		1	
MIE3512211	14	<b>Brake Seal</b>		1	
8993008013	15	<b>Pad Wrench 17mm</b>		1	
8294791211	16	<b>Backing Pad 77mm 1/4" Grip 6H Medium</b>		1	
	25	Type Label	D	1	
	35	Screw 2,5 x 25 mm	B	1	0,5 Nm/0,4 ft-lb

\* Spare parts only available to authorized repairers.