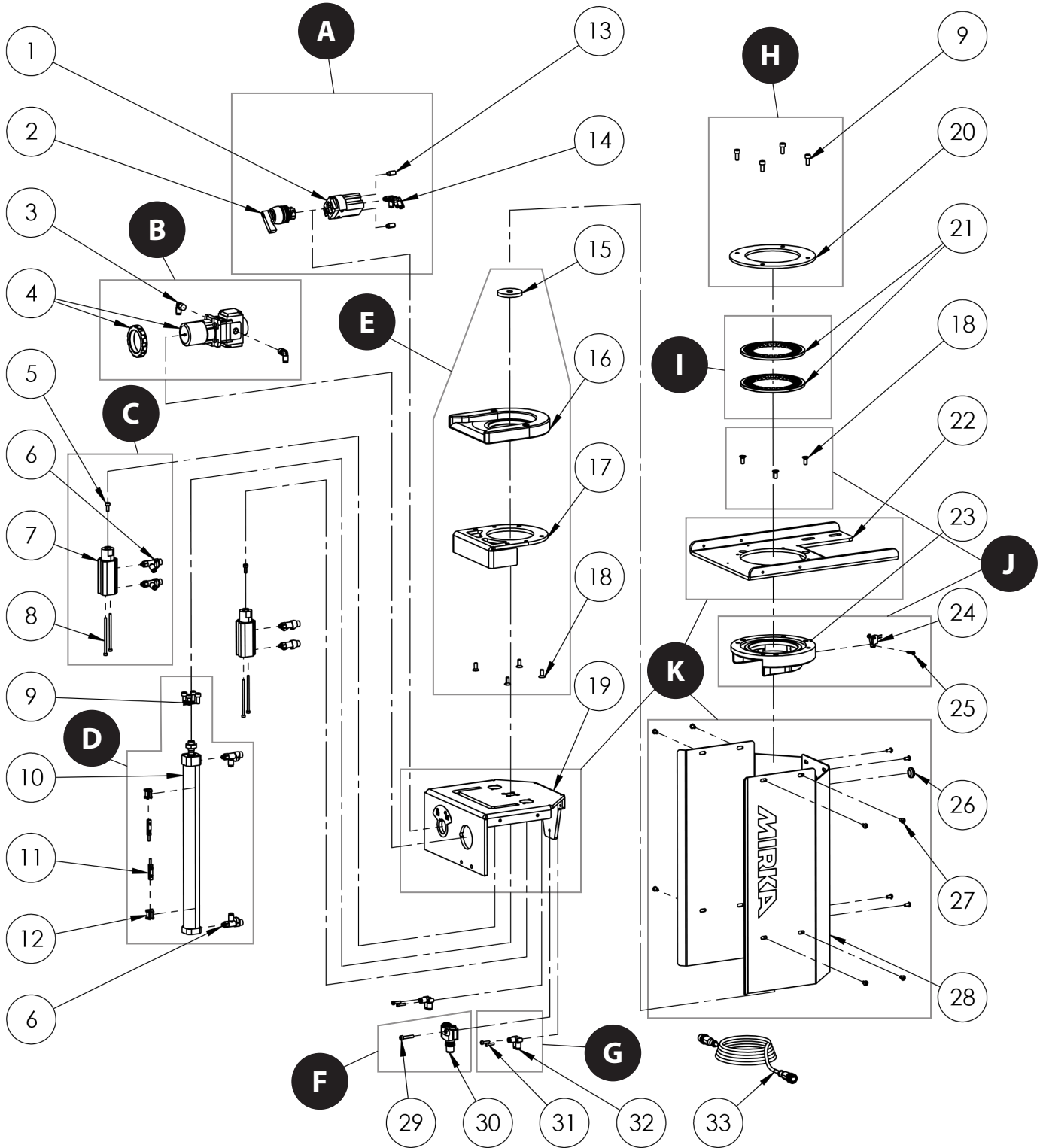


Exploded view of AutoChanger Magazine 77 mm

Updated 08.06.2023



AutoChanger Magazine 77mm Spare Part kits

Mirka Code	Item	Description	Kit	Qty	Tightening Torque
MAC1021011	Manual Switch kit				
	1	Valve 5/2		1	
	2	Manual Switch	A	1	
	13	Pneumatic Fitting		2	
	14	Pneumatic Fitting		3	
MAC1021041	Pressure Regulator kit				
	3	Pneumatic Fitting	B	2	
	4	Pneumatic Regulator		1	
MAC1021071	Cartridge Lock Cylinder kit				
	5	Screw M4x10 mm		1	
	6	Speed Controller Fitting	C	2	
	7	Bottom Bracket Cylinder		1	
	8	Screw M3x60 mm		2	
MAC1021101	Extruder Cylinder kit				
	6	Speed Controller Fitting		2	
	9	Screw M5x10 mm		4	
	10	Cylinder	D	1	
	11	Sensor		2	
	12	Mounting for Sensor		2	
MAC1021151	Bottom Bracket and Frame kit				
	15	Extruder Plate		1	
	16	Bottom Bracket	E	1	
	17	Bottom Frame		1	
	18	Screw 5x12 mm		4	
MAC1021301	Y-Splitter Signal Cable kit				
	29	Screw M4x20 mm	F	1	
	30	Cable Y-splitter		1	
MAC1021321	Y-Splitter Pneumatic kit				
	31	Screw M3x12 mm	G	2	
	32	Pneumatic Y-Fitting		1	
MAC1021201	Bristle Locking Ring kit				
	9	Screw M5x10 mm	H	4	
	20	Bristle Retaining Ring		1	
MAC1021211	Bristle kit - Fine (Standard)				
21	Bristle, Fine	I	2		
MAC1061211	Bristle kit - Coarse (Optional)				
21	Bristle, Coarse	I	2		

AutoChanger Magazine 77mm Spare Part kits

Mirka Code	Item	Description	Kit	Qty	Tightening Torque
MAC1021231		Top Bracket kit			
	18	Screw M5x12 mm		3	
	23	Top Bracket	J	1	
	24	Lever Micro Switch		1	
	25	Screw 3x12 mm		1	
MAC1021191		Housing kit			
	19	Bottom Plate		1	
	22	Top Plate		1	
	26	Rubber Grommet	K	1	
	27	Screw M4x8 mm		12	
	28	Housing		1	

Separate spare parts on next page.

AutoChanger Magazine 77mm Spare Parts

Mirka Code	Item	Description	Kit	Qty	Tightening Torque
	1	Valve 5/2	A	1	
	2	Manual Switch	A	1	
	3	Pneumatic Fitting	B	2	
	4	Pneumatic Regulator	B	1	
	5	Screw M4x10 mm	C	2	
	6	Speed Controller Fitting	C,D	6	
	7	Bottom Bracket Cylinder	C	2	
	8	Screw M3x60 mm	C	4	
	9	Screw M5x10 mm	D,H	8	
	10	Cylinder	D	1	
	11	Sensor	D	2	
	12	Mounting for Sensor	D	2	
	13	Pneumatic Fitting	A	2	
	14	Pneumatic Fitting	A	3	
	15	Extruder Plate	E	1	
	16	Bottom Bracket	E	1	
	17	Bottom Frame	E	1	
	18	Screw M5x12	E,J	7	
	19	Bottom Plate	K	1	
	20	Bristle Retaining Ring	H	1	
	21	Bristle, Fine	I	2	
	21	Bristle, Coarse	I	2	
	22	Top Plate	K	1	
	23	Top Bracket	J	1	
	24	Lever Micro Switch	J	1	
	25	Screw 3x12 mm	J	1	
	26	Rubber Grommet	K	1	
	27	Screw M4x8 mm	K	12	
	28	Housing	K	1	
	29	Screw M4x20 mm	F	1	
	30	Cable Y-splitter	F	1	
	31	Screw M3x12 mm	G	4	
	32	Pneumatic Y-Fitting	G	2	
MAC1011331	33	Signal Connecting Cable M12		1	