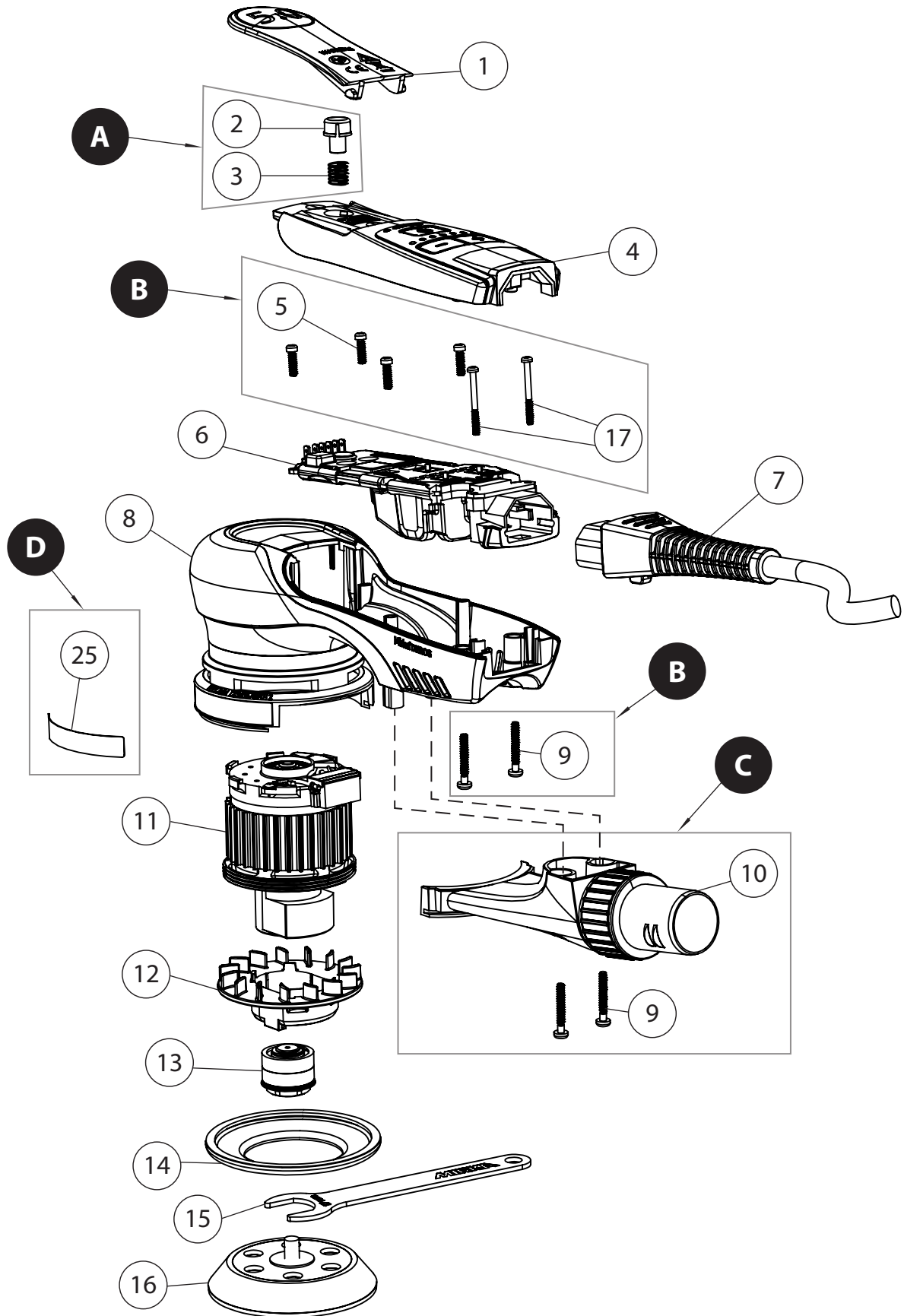


Exploded view of DEROS II 77 mm (220-240V)
Updated 15.11.2023



DEROS II 77 mm Spare Part kits (220-240V)

Electrical tool must be serviced by a qualified repair person and in accordance with national requirements.

Note! Repairs performed by non-authorized repairer will breach the Mirka warranty.

Mirka Code	Item	Description	Kit	Qty	Tightening torque
MIE6520211		Start Button kit			
	2	Start Button	A	1	
	3	Start Button Spring		1	
MIE6520511		Screw kit			
	5	Screw 2,5 x 10 mm	B	4	0,5 Nm/0,4 ft-lb
	9	Housing Screw 3 x 25 mm		2	1,4 Nm/1,0 ft-lb
	17	Screw 2,5 x 25 mm		2	0,5 Nm/0,4 ft-lb
MIE3521011		Swivel Exhaust kit			
	9	Housing Screw 3 x 25 mm	C	2	1,4 Nm/1,0 ft-lb
	10	Swivel Exhaust		1	
MIE7515011		Type Label kit, DEROS II EU 3xx,550,625,680,750 230V			
	25	Type Label 325	D	5	
	25	Type Label 350		5	

Separate spare parts on next page.

DEROS II 77 mm Spare Parts (220-240V)

Mirka Code	Item	Description	Kit	Qty	Tightening torque
MIE6210111	1	Lever 2,5 mm		1	
MIE6510111	1	Lever 5,0 mm		1	
	2	Start Button	A	1	
	3	Start Button Spring	A	1	
MIE6510412	4	Cover Plate		1	
	5	Screw 2,5 x 10 mm	B	4	0,5 Nm/0,4 ft-lb
MIE6510612	6	Speed Controller *		1	
MIE9016011	7	Rewireable Mains Cable 4,3m CE 230V EU		1	
MIE9017011	7	Rewireable Mains Cable 4,3m CE 230V UK		1	
MIE9017111	7	Rewireable Mains Cable 4,3m CE 230V CH		1	
MIE9017511	7	Rewireable Mains Cable 4,3m CE 230V ANZ		1	
MIE9017611	7	Rewireable Mains Cable 4,3m CE 230V ARG		1	
MIE9017411	7	Rewireable Mains Cable 4,3m 230V CN		1	
MIE3520811	8	Housing		1	
	9	Housing Screw 3 x 25 mm	B,C	2	1,4 Nm/1,0 ft-lb
	10	Swivel Exhaust	C	1	
MIE3221111	11	Motor 2,5 mm/30 g Pad (77 mm)*		1	25 Nm/18,4 ft-lb
MIE3521111	11	Motor 5,0 mm/30 g Pad (77 mm)*		1	25 Nm/18,4 ft-lb
MIE3511211	12	Fan 2,5/5,0mm/30g Pad (77 mm)		1	
MIE3521311	13	Spindle Bearing kit		1	
MIE3512211	14	Brake Seal		1	
8993008013	15	Pad Wrench 17mm		1	
8294791211	16	Backing Pad 77mm 1/4" Grip 6H Medium		1	
	17	Screw 2,5 x 25 mm	B	2	0,5 Nm/0,4 ft-lb
	25	Type Label	D	1	

* Spare parts only available to authorized repairers.