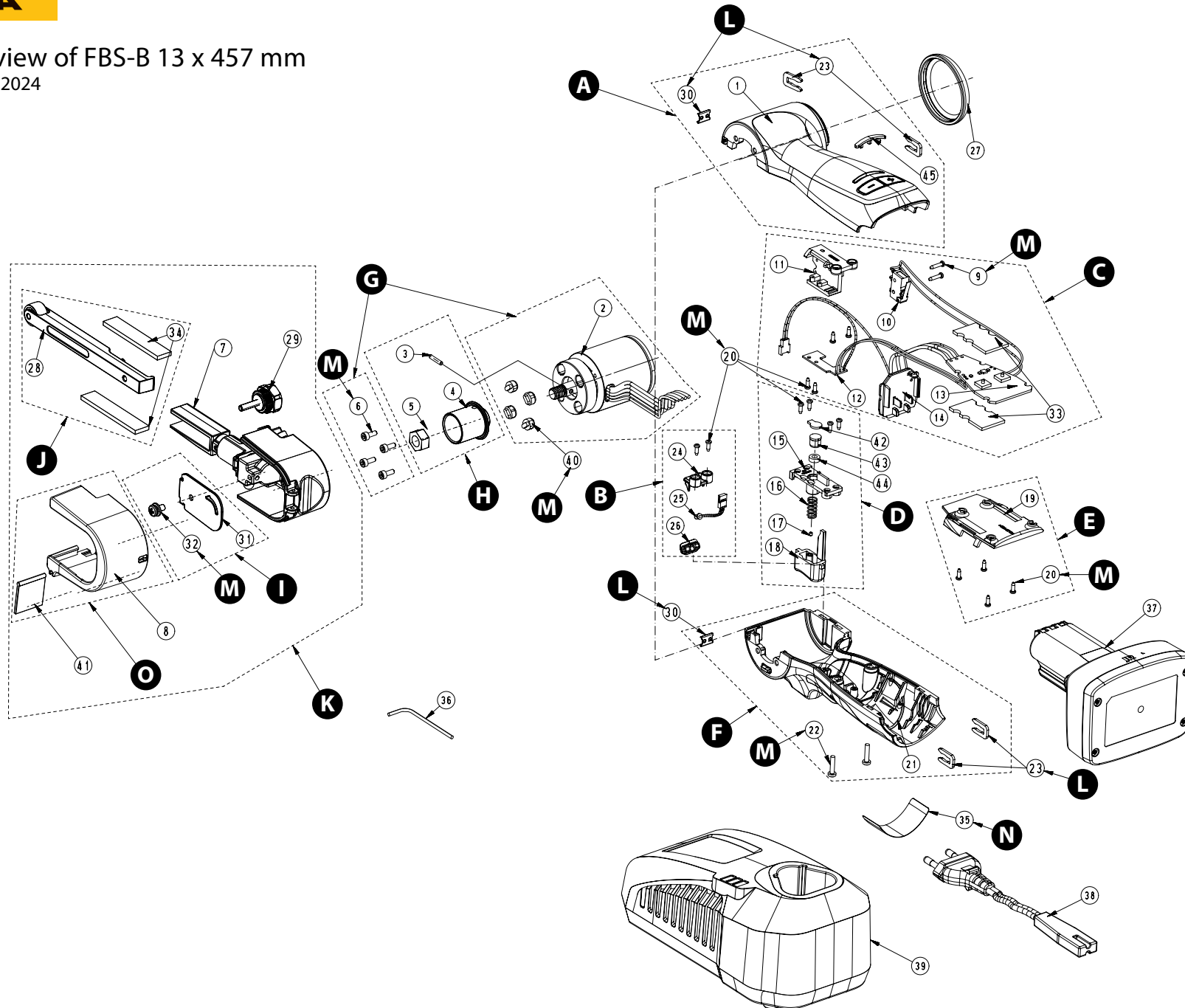


Exploded view of FBS-B 13 x 457 mm
Updated 20.03.2024



FBS-B 13 x 457 mm Spare Part kits

Electrical tool must be serviced by a qualified repair person and in accordance with national requirements.

Note! Repairs done by non-authorized repairer will breach the Mirka warranty.

Mirka Code	Item	Description	Kit	QTY	Tightening Torque
MBB1120111		Upper Housing kit			
	1	Upper Housing		1	
	23	Assembly Clamp	A	2	
	30	Clip		1	
	45	LED Cover		1	
MBB1122611		LED Light kit			
	20	Screw 2,2 x 6,5 mm		2	0,4 Nm/0,3 ft-lb
	24	LED Light Holder	B	1	
	25	LED Light Module		1	
	26	LED Light Cover		1	
MBB1121011		Speed Controller kit *			
	9	Screw 2,2 x 10 mm		2	0,3 Nm/0,2 ft-lb
	10	Switch		1	
	11	Holder		1	
	12	PCB Switch	C	1	
	13	Speed Controller		1	
	14	Battery Terminal		1	
20	Screw 2,2 x 6,5 mm		4	0,4 Nm/0,3 ft-lb	
	33	Cooling Film		2	
MBB1121611		Trigger Button (Variable) kit			
	15	Trigger Button Cover		1	
	16	Trigger Spring		1	
	17	Magnet		1	
	18	Trigger Button	D	1	
	20	Screw 2,2 x 6,5 mm		4	0,4 Nm/0,3 ft-lb
	42	Washer		1	
43	Plastic Sleeve		1		
	44	Washer		1	
8991022111		PCB Cover kit			
	19	PCB Cover	E	1	
	20	Screw 2,2 x 6,5 mm		4	0,4 Nm/0,3 ft-lb
MBB1122211		Lower Housing kit			
	21	Lower Housing		1	
	22	Screw 2,9 x 13 mm	F	2	0,7 Nm/0,5 ft-lb
	23	Assembly Clamp		2	
	30	Clip		1	
MBB1120211		Motor kit *			
	2	Motor	G	1	
	6	Screw M3 x 8 mm		4	1,0 Nm/0,7 ft-lb
	40	Rubber Cap		4	
MBB1320311		Drive Pulley kit			
	3	Pin	H	1	
	4	Pulley		1	
	5	Nut		1	

FBS-B 13 x 457 mm Spare Part kits

Mirka Code	Item	Description	Kit	QTY	Tightening Torque
MBB1323111		Belt Cover kit			
	31	Side Cover	I	1	
	32	Screw M4 x 8 mm		1	0,9 Nm/0,7 ft-lb
8995144101		Adjusting Arm kit			
	28	Adjusting Arm Assembly	J	1	
	34	Wear Pad		2	
MBB1320711		File Belt Arm kit			
	7	File Belt Arm 13 mm		1	
	8	Guard Cover		1	
	28	Adjusting Arm Assembly		1	
	29	Angle Adjusting Bolt	K	1	
	31	Side Cover		1	
	32	Screw M4 x 8 mm		1	0,9 Nm/0,7 ft-lb
	34	Wear Pad		2	
	41	Rubber Shield		1	
8991012711		Assembly Clamp kit			
	23	Assembly Clamp	L	2	
	30	Clip		1	
MBB1120611		Screw and Rubber Cap kit			
	6	Screw M3 x 8 mm		4	1,0 Nm/0,7 ft-lb
	9	Screw 2,2 x 10 mm		2	0,3 Nm/0,2 ft-lb
	20	Screw 2,2 x 6,5 mm	M	14	0,4 Nm/0,3 ft-lb
	22	Screw 2,9 x 13 mm		2	0,7 Nm/0,5 ft-lb
	32	Screw M4 x 8 mm		1	0,9 Nm/0,7 ft-lb
	40	Rubber Cap		4	
MBB1123511		Type Label kit EU	N		
	35	Type Label for FBS-B 13		10	
8991022911US		Type Label kit US/CA	N		
	35	Type Label for FBS-B 13		10	
MBB1320811		Guard Cover & Rubber Shield kit			
	8	Guard Cover	O	1	
	41	Rubber Shield		1	

* Spare parts only available to authorized repairers.

FBS-B 13 x 457 mm Spare Parts

Mirka Code	Item	Description	Kit	QTY	Tightening Torque
	1	Upper Housing	A	1	
	2	Motor	G	1	
	3	Pin	H	1	
	4	Pulley	H	1	
	5	Nut	H	1	
	6	Screw M3 x 8 mm	G,M	4	1,0 Nm/0,7 ft-lb
	7	File Belt Arm 13 mm	K	1	
	8	Guard Cover	K,O	1	
	9	Screw 2,2 x 10 mm	C,M	2	0,3 Nm/0,2 ft-lb
	10	Switch	C	1	
	11	Holder	C	1	
	12	PCB Switch	C	1	
	13	Speed Controller	C	1	
	14	Battery Terminal	C	1	
	15	Trigger Button Cover	D	1	
	16	Trigger Spring	D	1	
	17	Magnet	D	1	
	18	Trigger Button	D	1	
	19	PCB Cover	E	1	
	20	Screw 2,2 x 6,5 mm	B,C,D,E,M	14	0,4 Nm/0,3 ft-lb
	21	Lower Housing	F	1	
	22	Screw 2,9 x 13 mm	F,M	2	0,7 Nm/0,5 ft-lb
	23	Assembly Clamp	A,F,L	4	
	24	LED Light Holder	B	1	
	25	LED Light Module	B	1	
	26	LED Light Cover	B	1	
MBB1112911	27	Rubber Cover		1	
	28	Adjusting Arm Assembly	J,K	1	
	29	Angle Adjusting Bolt	K	1	
	30	Clip	A,F,L	1	
	31	Side Cover	I,K	1	
	32	Screw M4 x 8 mm	I,K,M	1	0,9 Nm/0,7 ft-lb
8991213111	33	Cooling Film 2 pcs/pack	C	2	
8995134111	34	Wear Pad	J,K	2	
	35	Type Label for FBS-B 13	N	1	
8995121314	36	Hex Wrench 2 & 3mm		1	
8991122211	37	Mirka Intelligent Battery BPA 11125 11.1V 2.5Ah		1	
8991122311	37	Mirka Intelligent Battery BPA 11150 11.1V 5.0Ah		1	
8991112211	38	Power Cord 2.0 m EU		1	
8991112311	38	Power Cord 2.0 m US		1	
8991112411	38	Power Cord 2.0 m UK		1	
8991112611	38	Power Cord 2.0 m CN		1	
8991112711	38	Power Cord 2.0 m ANZ		1	
8991123011	39	Battery Charger		1	
8991123011US	39	Battery Charger (North America)		1	
	40	Rubber Cap	G,M	4	
	41	Rubber Shield	K,O	1	
	42	Washer	D	1	
	43	Plastic Sleeve	D	1	
	44	Washer	D	1	
	45	LED Cover	A	1	